

US00D699420S

(12) **United States Design Patent**
Teteriatnikov

(10) **Patent No.:** **US D699,420 S**

(45) **Date of Patent:** **** Feb. 18, 2014**

(54) **SHOE PERIPHERY**

(71) Applicant: **Skechers U.S.A., Inc. II**, Manhattan Beach, CA (US)

(72) Inventor: **Savva Teteriatnikov**, Marina del Rey, CA (US)

(73) Assignee: **Skechers U.S.A., Inc. II**, Manhattan Beach, CA (US)

(**) Term: **14 Years**

(21) Appl. No.: **29/472,324**

(22) Filed: **Nov. 11, 2013**

(51) **LOC (10) Cl.** **02-04**

(52) **U.S. Cl.**
USPC **D2/947; D2/951**

(58) **Field of Classification Search**
USPC D2/902, 906, 908, 916, 918, 925,
D2/946-962, 977; 36/3 B, 22 R, 24.5, 25 R,
36/28, 32 R, 34 R, 59 C, 67 A, 103
See application file for complete search history.

(56) **References Cited**

U.S. PATENT DOCUMENTS

D269,139 S	5/1983	Stubblefield
D399,343 S	10/1998	Egelja et al.
D407,891 S	4/1999	Edwards
D412,777 S	8/1999	Norton et al.
D416,669 S	11/1999	Parr et al.
D424,287 S	5/2000	Edwards
D429,062 S	8/2000	Santa
D430,966 S	9/2000	Brady et al.
D438,368 S	3/2001	Akhidime
D440,748 S	4/2001	Morgan
D469,949 S	2/2003	Koo
D474,878 S	5/2003	Matis
D487,331 S	3/2004	Rogers et al.

D487,612 S	3/2004	Matis	
D488,294 S	* 4/2004	Lancon	D2/957
D490,596 S	* 6/2004	Belley et al.	D2/957
D497,047 S	* 10/2004	Munns	D2/959
D500,401 S	1/2005	Matis et al.	
D504,204 S	4/2005	Matis et al.	
D505,249 S	5/2005	Urie	
D518,280 S	4/2006	Matis et al.	
D528,776 S	9/2006	Hui	
D530,891 S	10/2006	Matis et al.	
D537,611 S	3/2007	Matis et al.	
D541,020 S	4/2007	McClaskie	
D547,033 S	7/2007	Canavan	
D547,037 S	7/2007	Nakano	
D550,436 S	9/2007	Matis et al.	
D552,335 S	* 10/2007	Matis et al.	D2/957
D561,437 S	2/2008	Evans et al.	
D567,492 S	4/2008	Belley et al.	

(Continued)

Primary Examiner — T. Chase Nelson

(74) *Attorney, Agent, or Firm* — Marshall A. Lerner; Marvin H. Kleinberg; Kleinberg & Lerner, LLP

(57) **CLAIM**

The ornamental design for the shoe periphery, as shown and described.

DESCRIPTION

FIG. 1 is a perspective view of a shoe periphery in accordance with my new design.

FIG. 2 is a left side view thereof;

FIG. 3 is a right side view thereof;

FIG. 4 is a top plan view thereof;

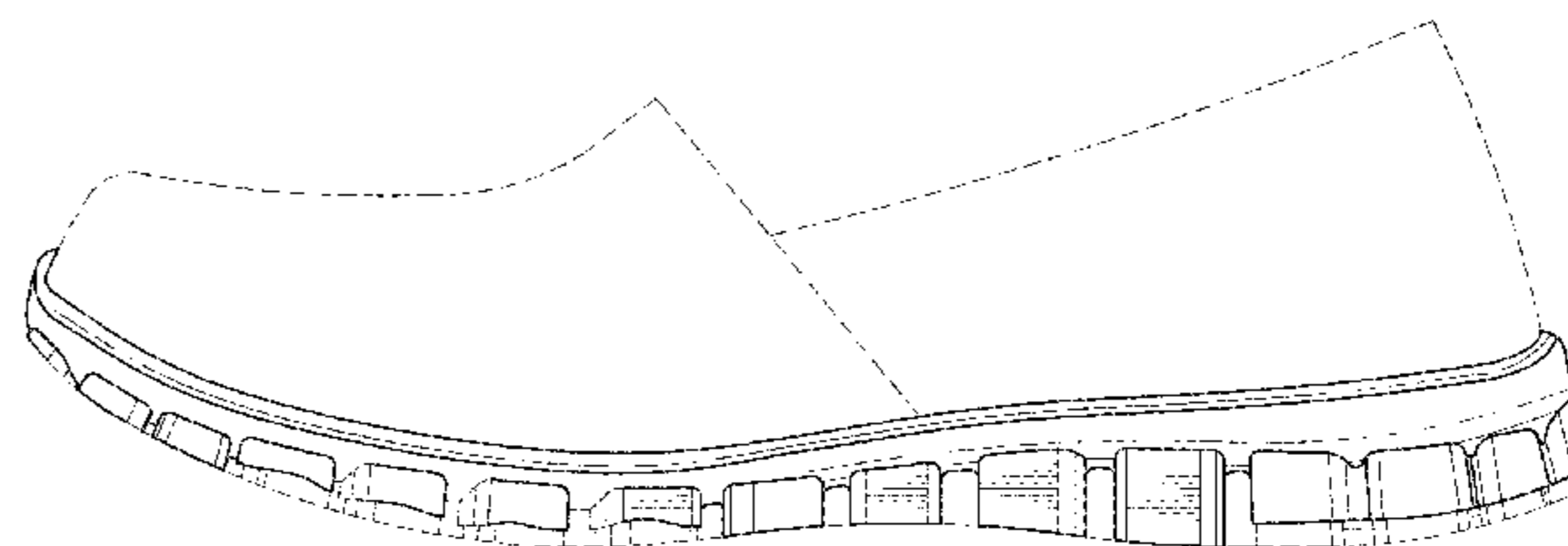
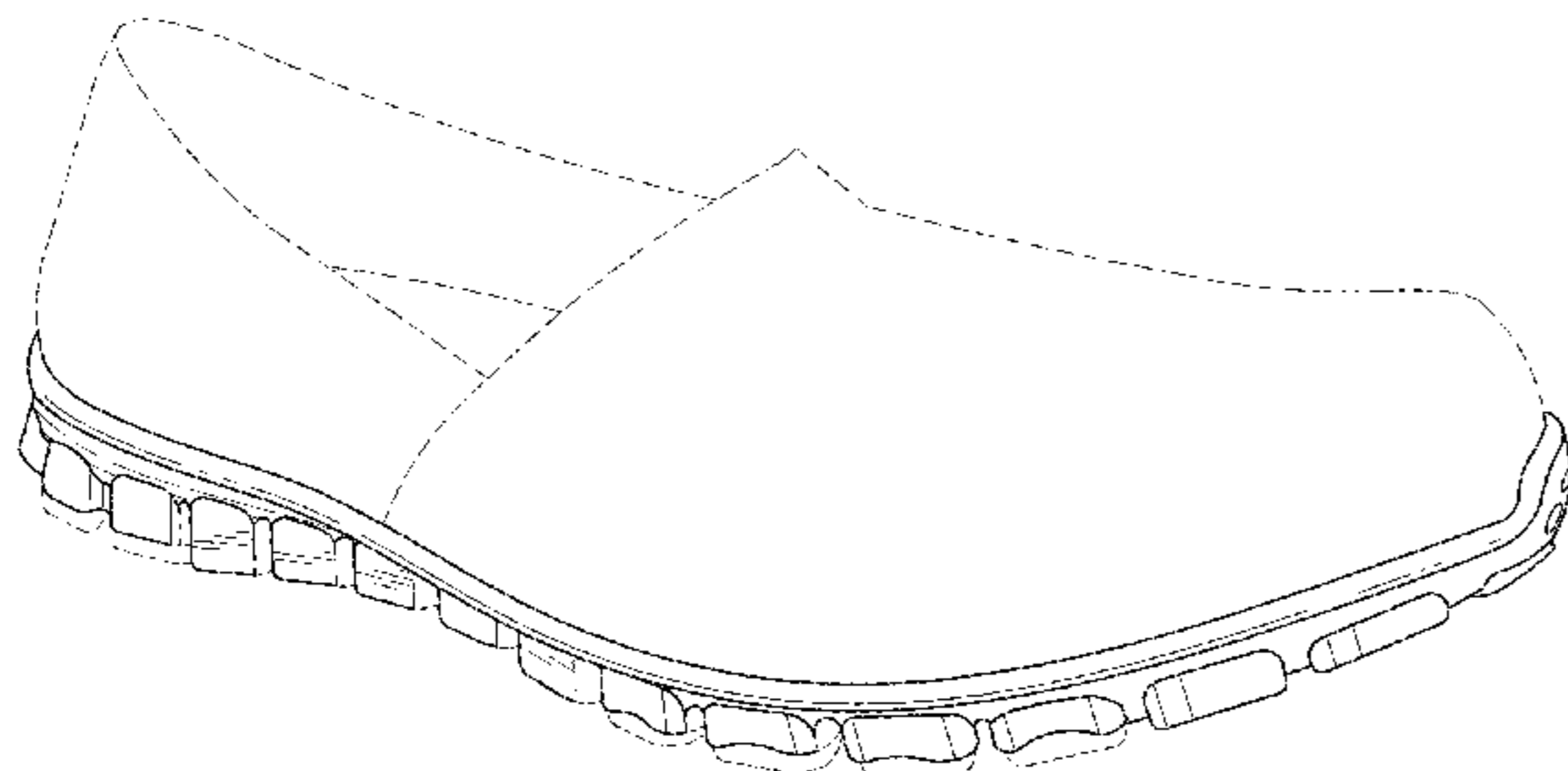
FIG. 5 is a bottom plan view thereof;

FIG. 6 is a rear elevation view thereof; and,

FIG. 7 is a front elevation view thereof.

Broken lines showing the remainder of the shoe in the figures are for illustrative purposes only and form no part of the claimed invention.

1 Claim, 6 Drawing Sheets



(56)

References Cited

U.S. PATENT DOCUMENTS

D570,081 S	6/2008	Longuet	
D574,131 S *	8/2008	Banik et al.	D2/956
D575,944 S	9/2008	Pauk	
D589,692 S	4/2009	McClaskie	
D592,389 S	5/2009	St-Louis et al.	
D594,191 S	6/2009	Banik	
D600,895 S *	9/2009	Morgan	D2/957
D603,151 S *	11/2009	Roundhouse	D2/960
D609,894 S	2/2010	Andersen et al.	
7,665,231 B2 *	2/2010	Abadjian et al.	36/29
D621,144 S	8/2010	McClaskie	
7,941,941 B2 *	5/2011	Hazenberget al.	36/28
7,946,058 B2 *	5/2011	Johnson et al.	36/25 R
D655,901 S	3/2012	Raysse	
8,181,365 B2 *	5/2012	Cass et al.	36/103
D661,880 S	6/2012	Raysse	
D662,301 S *	6/2012	Raysse	D2/969
D663,927 S	7/2012	Teng-Lee	
D669,254 S	10/2012	Vestuti et al.	
D675,002 S	1/2013	Marvin et al.	
D677,868 S *	3/2013	Kue	D2/951
D679,485 S *	4/2013	Raysse	D2/947
D679,488 S *	4/2013	Raysse	D2/954
D680,309 S *	4/2013	Raysse	D2/947
D680,312 S *	4/2013	Raysse	D2/954
D681,319 S *	5/2013	Schwartz	D2/926
D682,522 S	5/2013	Raysse	
D683,937 S *	6/2013	Raysse	D2/947
2002/0078594 A1 *	6/2002	Sedlbauer	36/25 R
2005/0262739 A1 *	12/2005	McDonald et al.	36/102
2008/0022553 A1 *	1/2008	McDonald et al.	36/25 R
2011/0185590 A1 *	8/2011	Nishiwaki et al.	36/28
2011/0214313 A1 *	9/2011	James et al.	36/103
2012/0073160 A1 *	3/2012	Marvin et al.	36/28

* cited by examiner

FIG. 1

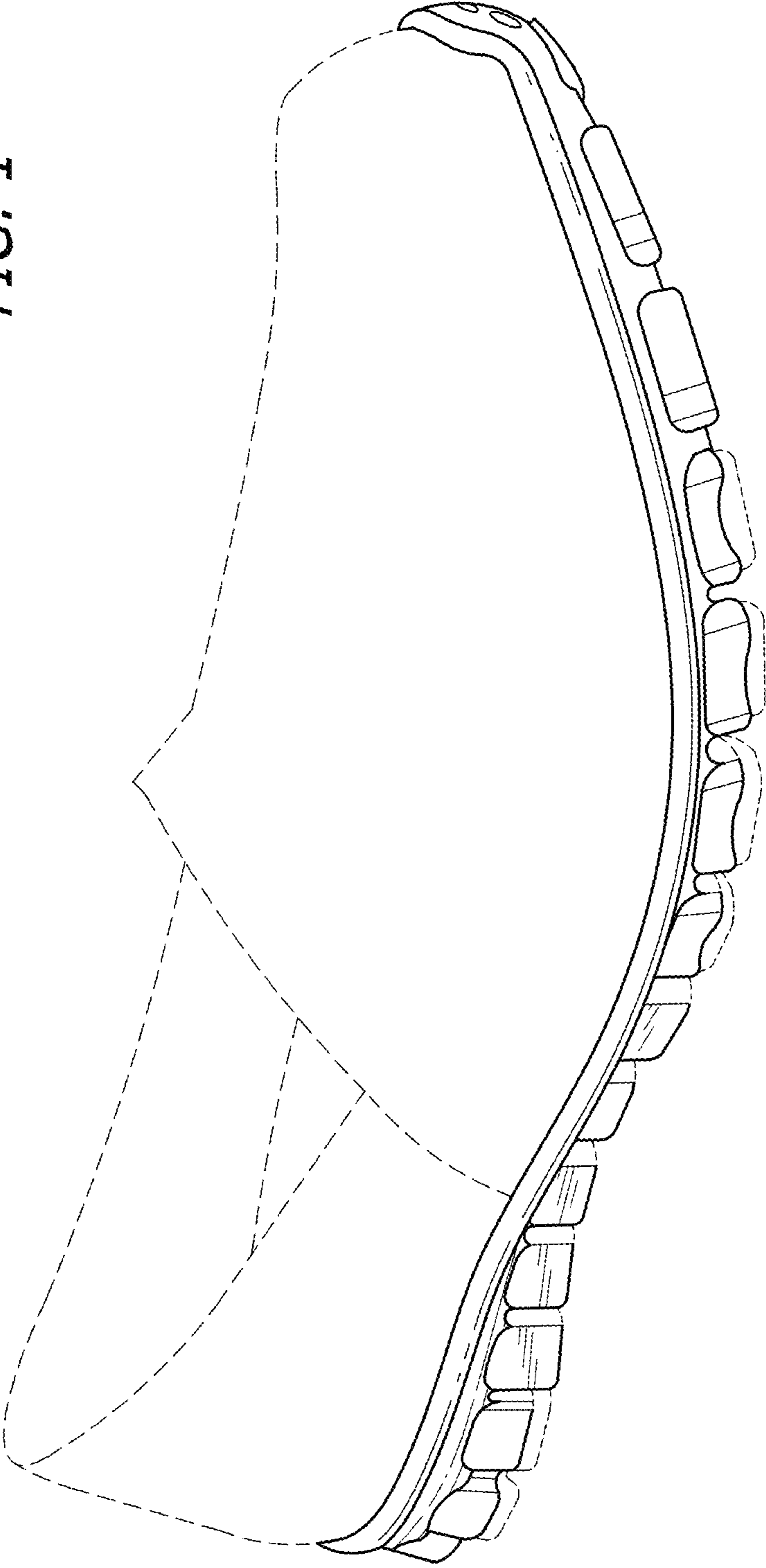


FIG. 2

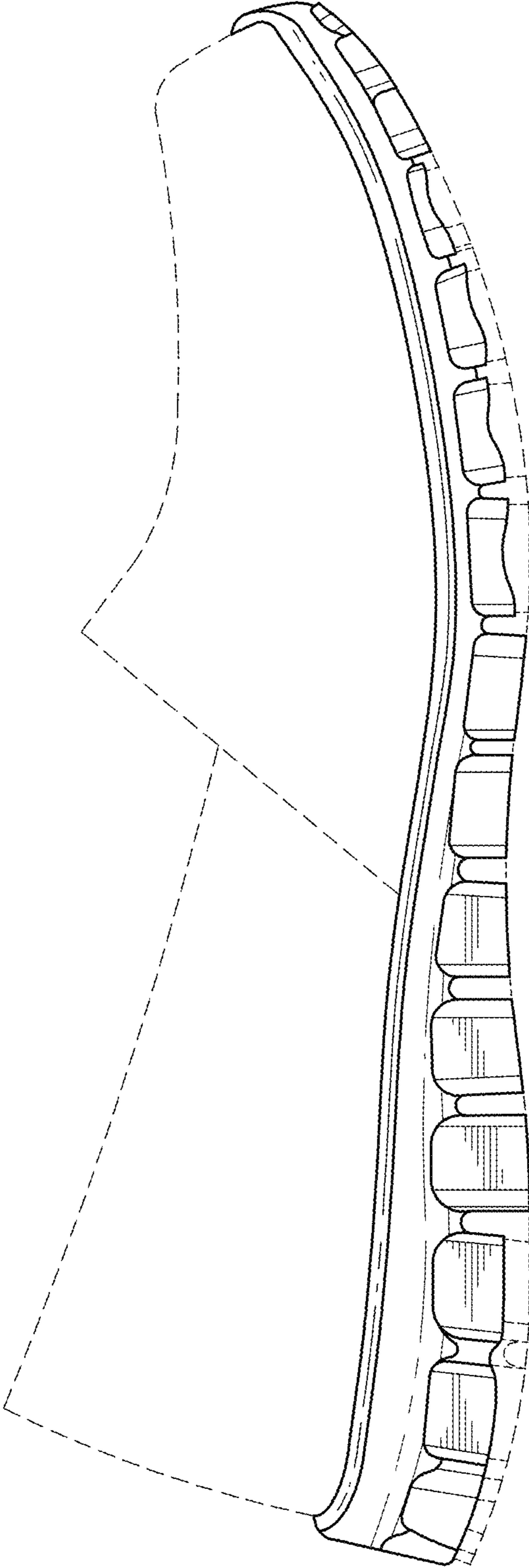


FIG. 3

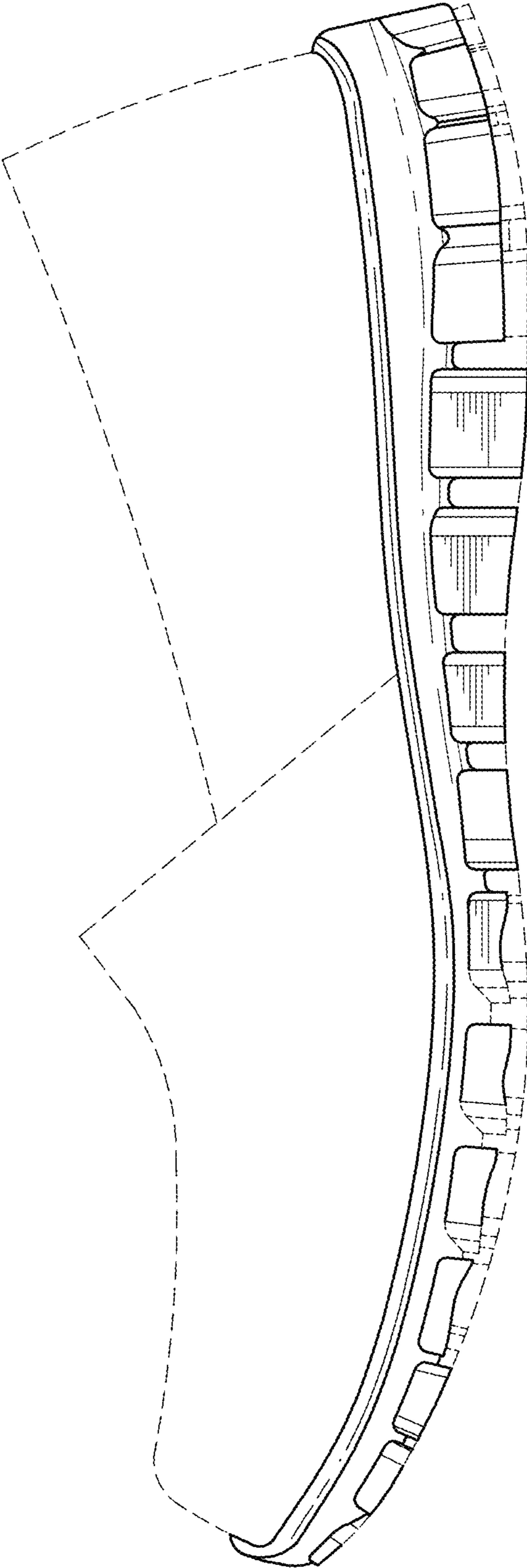
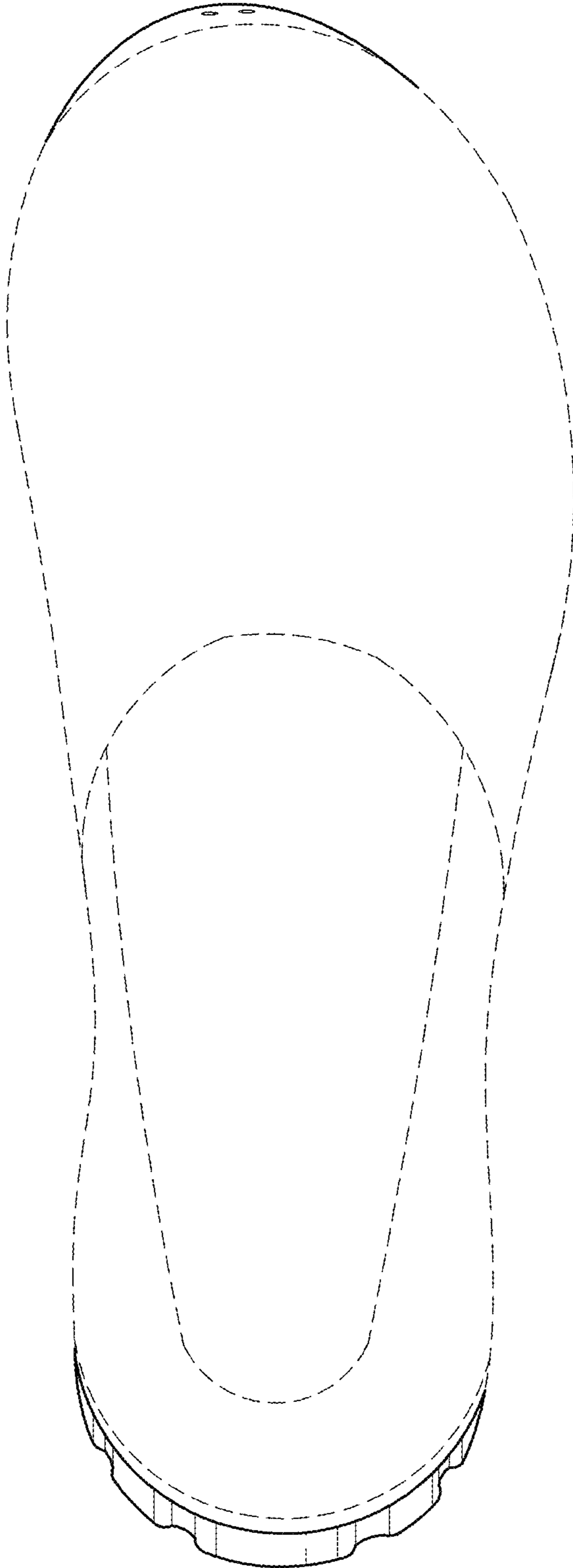


FIG. 4



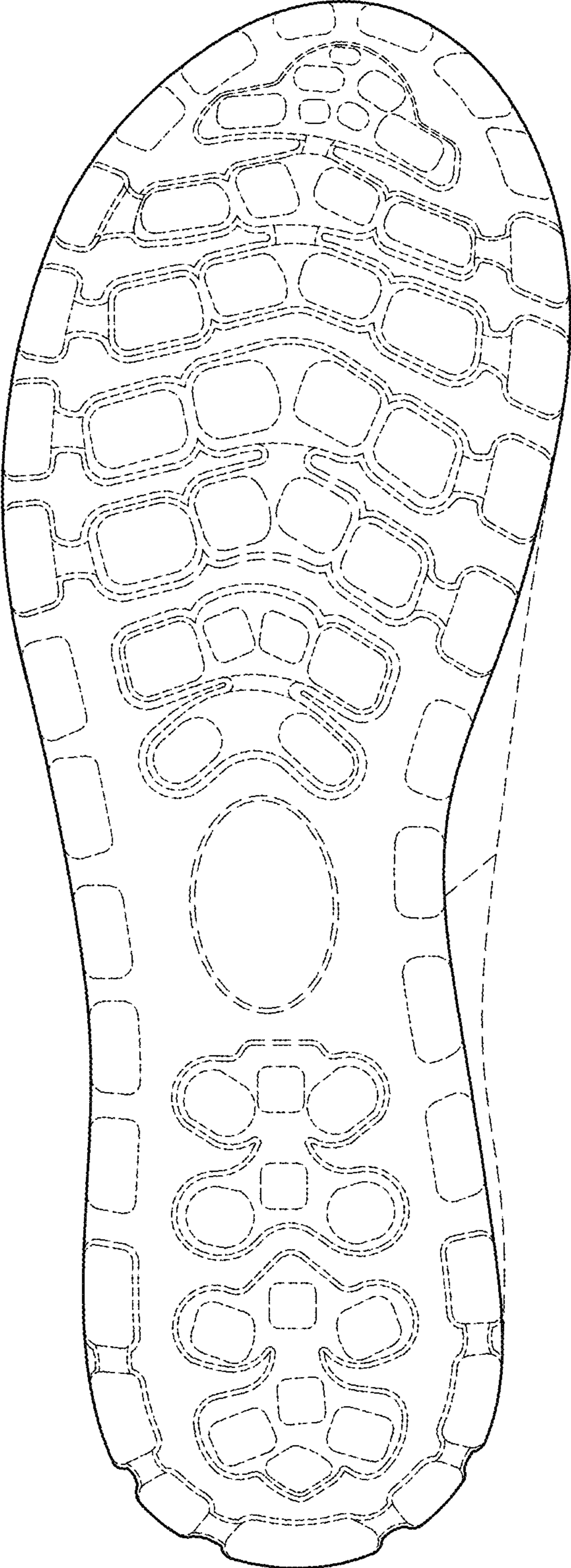


FIG. 5

FIG. 7

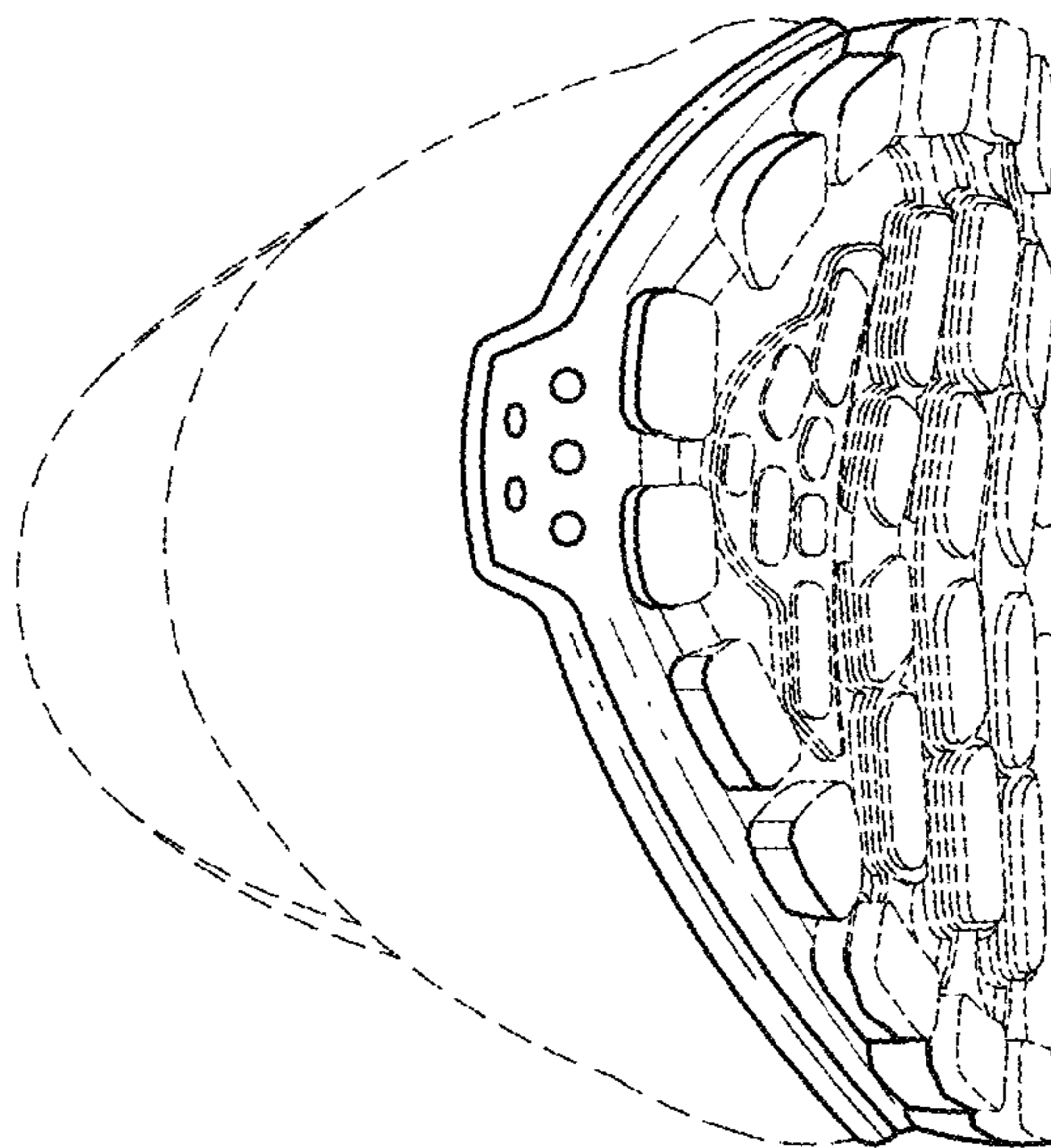


FIG. 6

