



US00D699412S

(12) **United States Design Patent**  
**Smith**

(10) **Patent No.:** **US D699,412 S**

(45) **Date of Patent:** **\*\* Feb. 11, 2014**

(54) **COMBINED BROOM AND DUSTPAN**

(71) Applicant: **Chad Smith**, Rogers, AR (US)

(72) Inventor: **Chad Smith**, Rogers, AR (US)

(\*\*) Term: **14 Years**

(21) Appl. No.: **29/432,903**

(22) Filed: **Sep. 21, 2012**

(51) **LOC (10) Cl.** ..... **04-01**

(52) **U.S. Cl.**  
USPC ..... **D32/50; D32/51; D4/130**

(58) **Field of Classification Search**  
USPC ..... D32/50-52, 40, 44, 45, 74; 473/301,  
473/302; 15/143.1, 119.2, 120.1, 120.2,  
15/116.1, 116.2, 150, 209.1-210.1, 257.2;  
401/137-140; D4/116, 135

See application file for complete search history.

(56) **References Cited**

**U.S. PATENT DOCUMENTS**

471,162	A *	3/1892	Wood	15/257.2
924,059	A *	6/1909	Grobe	15/257.2
1,076,177	A *	10/1913	Wartman	211/65
5,425,153	A *	6/1995	Vosbikian	15/257.2

D468,106	S *	1/2003	Robertson	D4/116
7,171,719	B1 *	2/2007	Harrelson	15/257.3
D595,509	S *	7/2009	Sekercioğlu	D4/116
D597,719	S *	8/2009	McNeil et al.	D32/51
2009/0223007	A1 *	9/2009	Li	15/105

\* cited by examiner

*Primary Examiner* — John Windmuller

(74) *Attorney, Agent, or Firm* — Mark Murphey Henry

(57) **CLAIM**

The ornamental design of a combined broom and dustpan, as shown and described.

**DESCRIPTION**

FIG. 1 is a perspective view of the combined broom and dustpan in use.

FIG. 2 is a perspective view of the combined broom and dustpan.

FIG. 3 is a front view of the combined broom and dustpan.

FIG. 4 is a left side view of the combined broom and dustpan.

FIG. 5 is a rear view of the combined broom and dustpan.

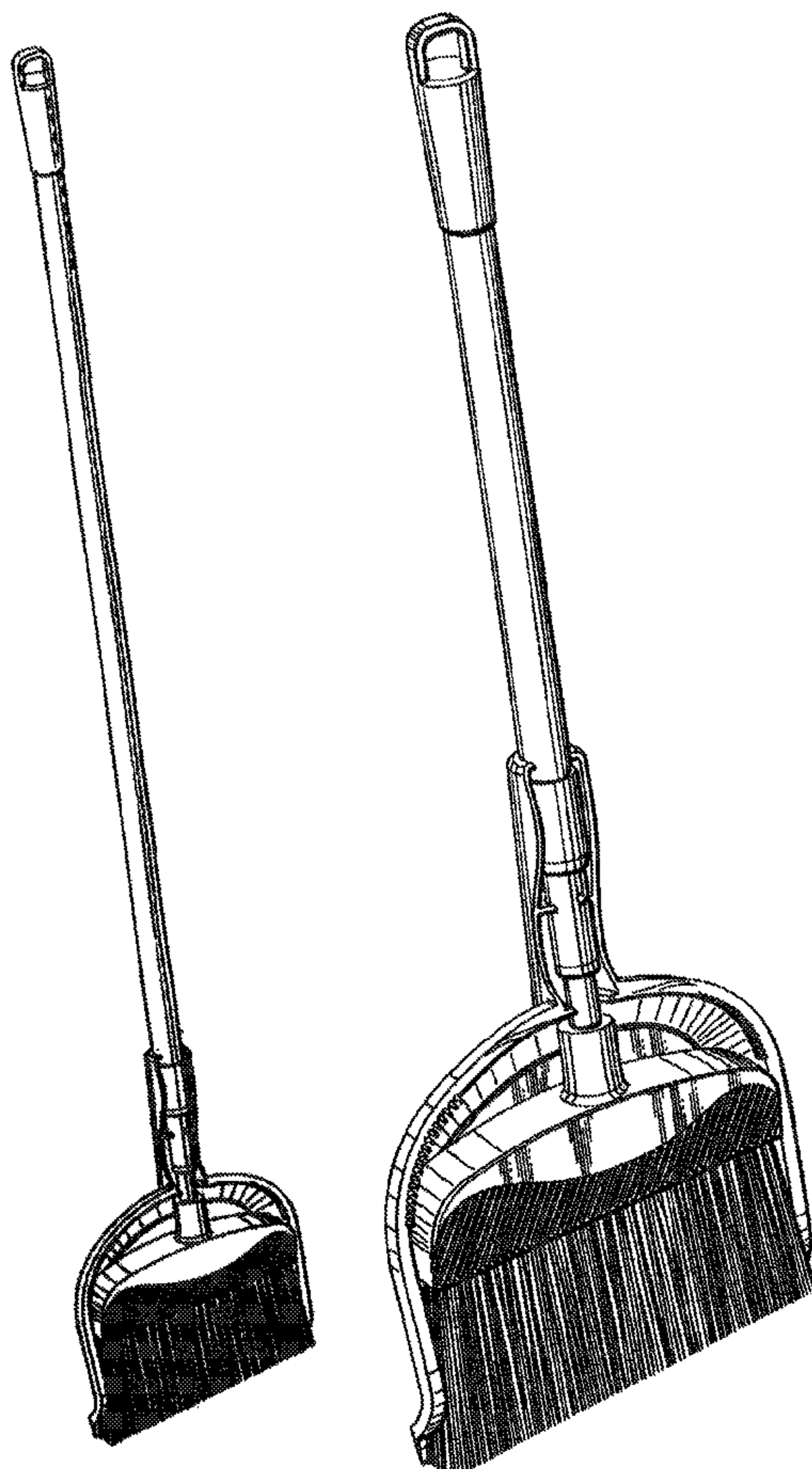
FIG. 6 is a top view of the combined broom and dustpan; and,

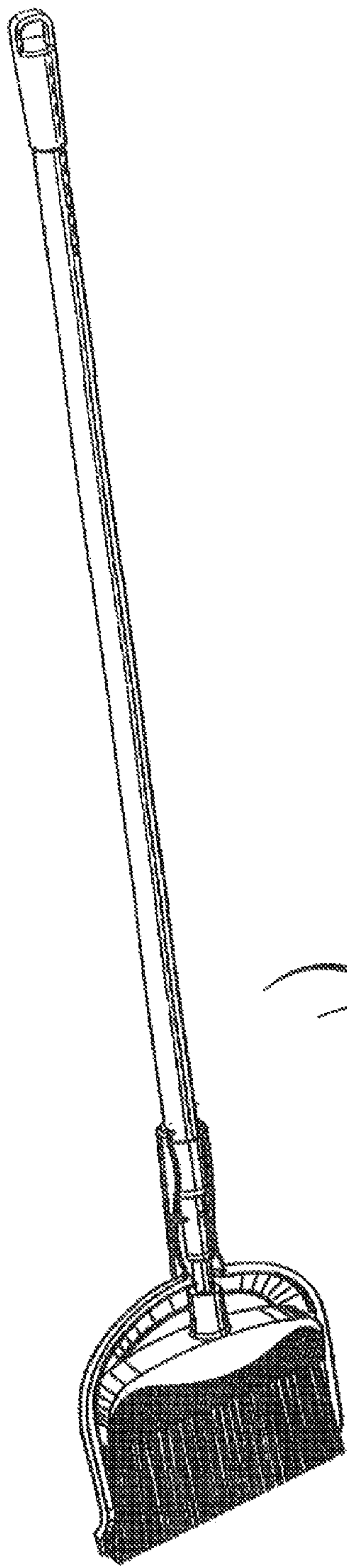
FIG. 7 is a bottom view of the combined broom and dustpan.

The broken lines in FIG. 5 depict a portion of the dustpan that forms no part of the claimed design.

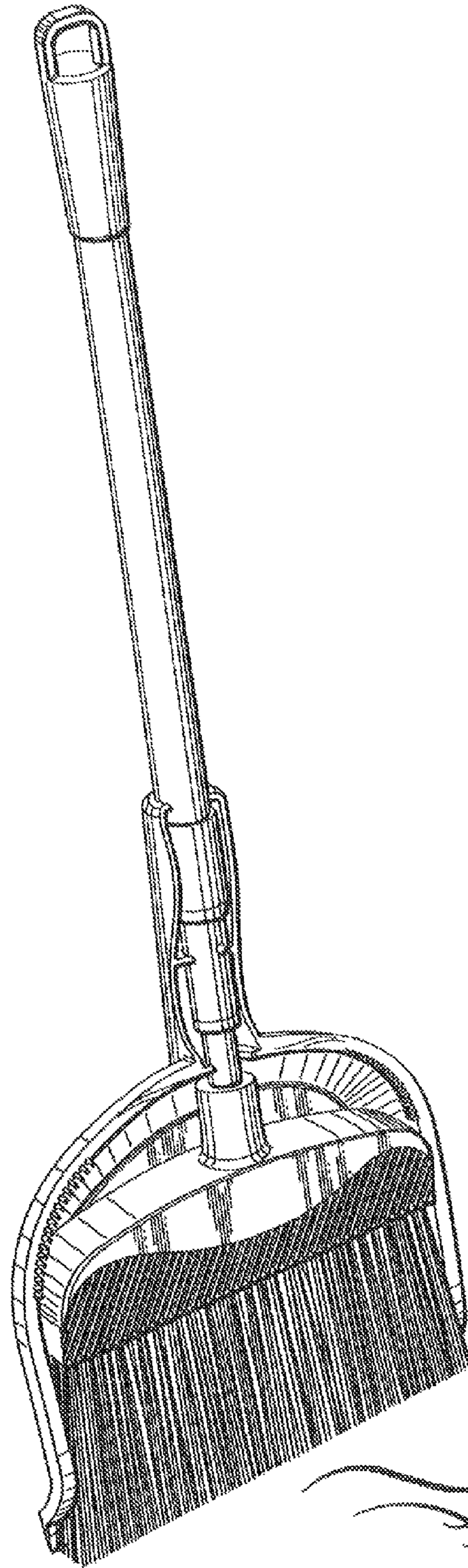
The article is an extendable broom with an attached dustpan.

**1 Claim, 5 Drawing Sheets**

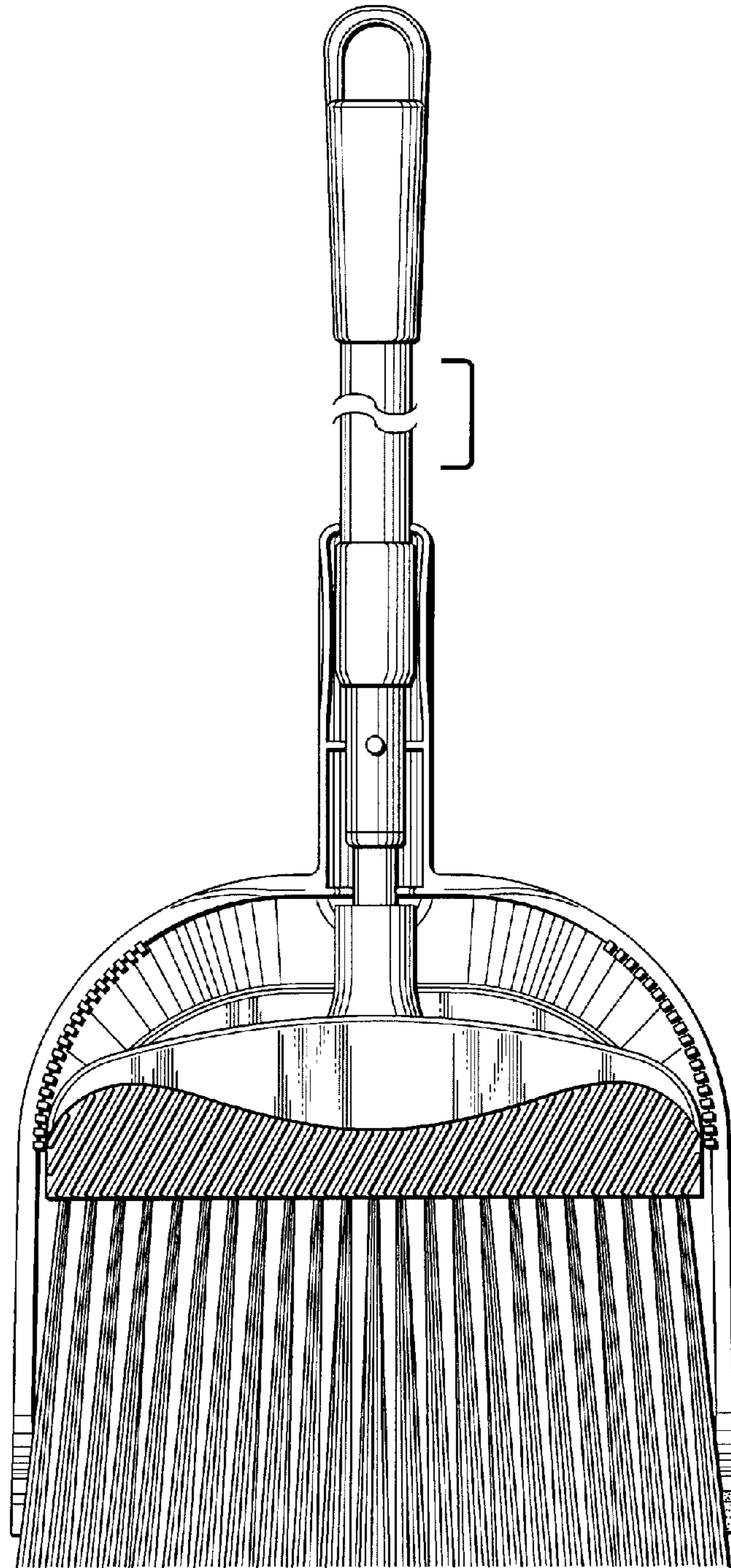




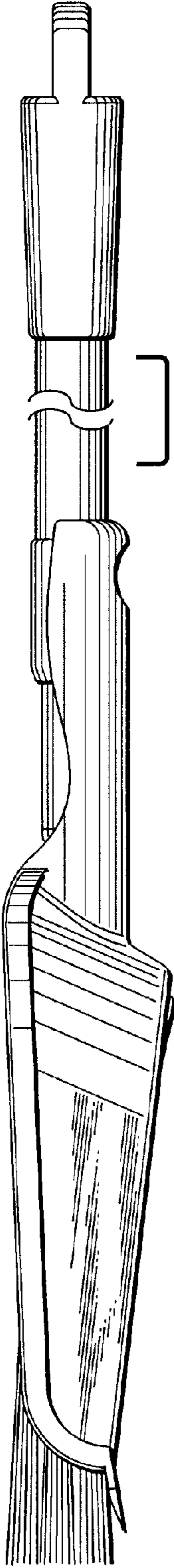
*Fig. 1*



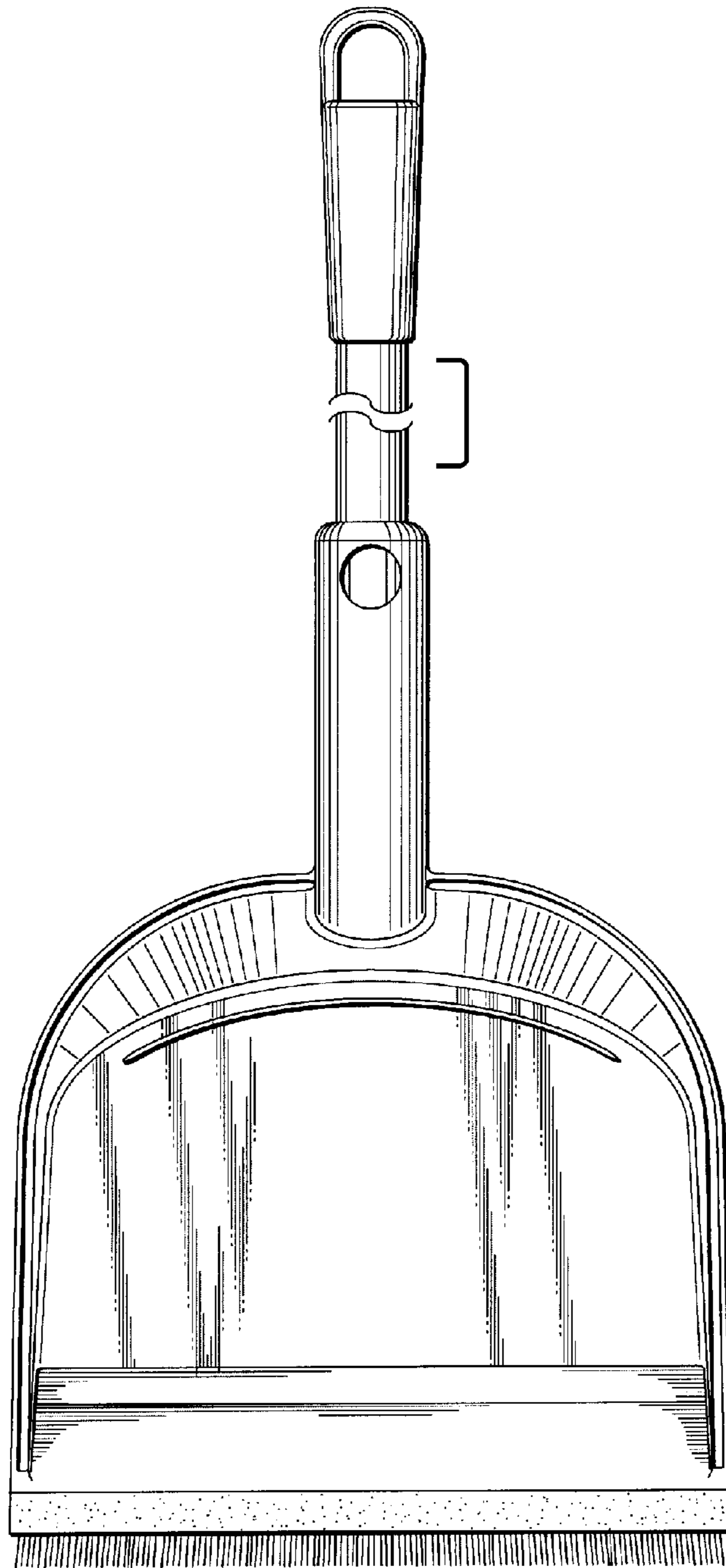
*Fig. 2*



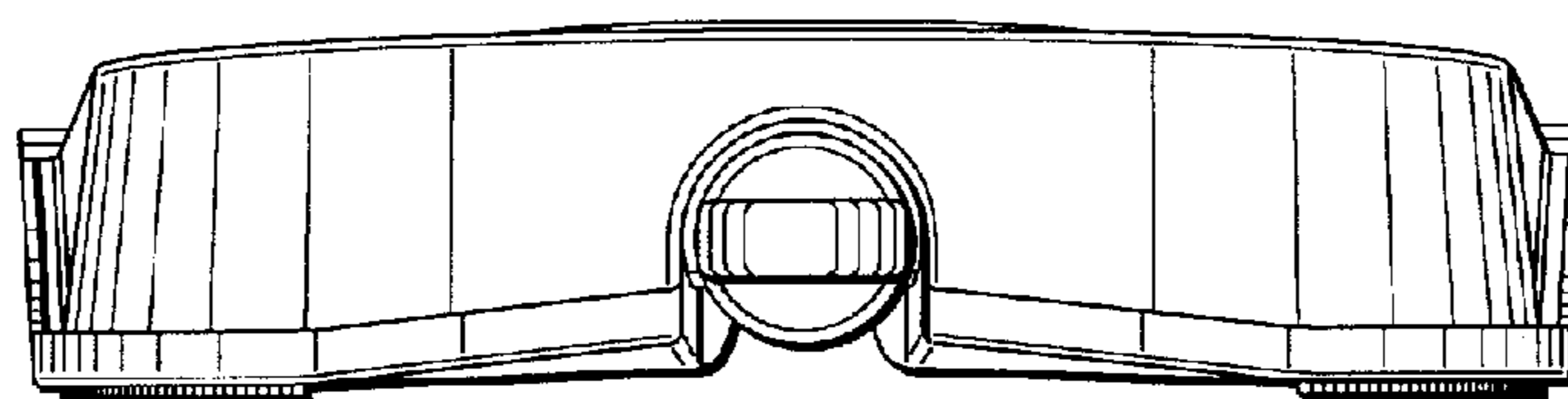
*Fig. 3*



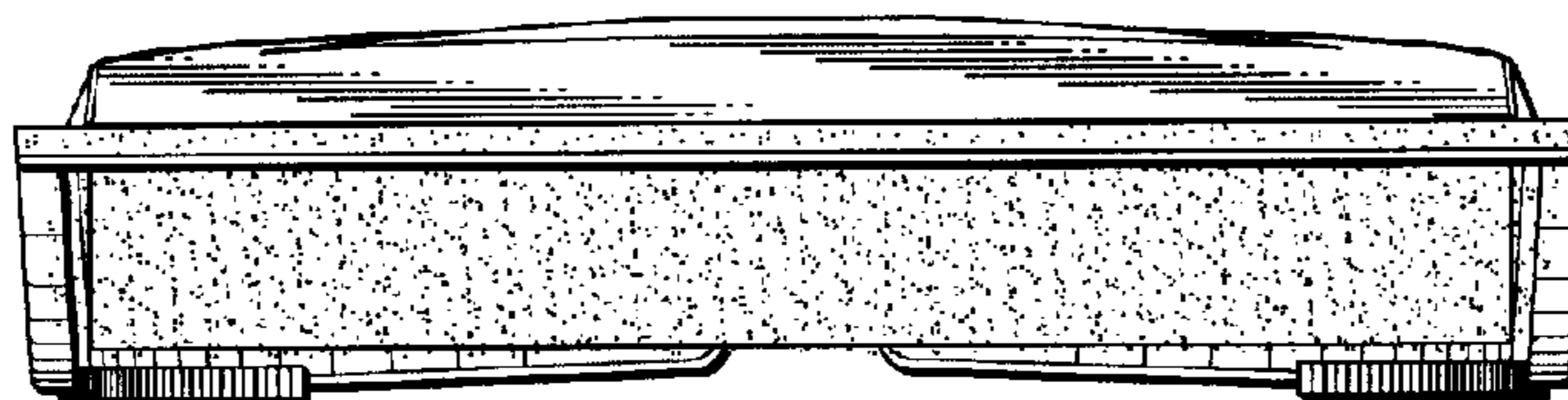
*Fig. 4*



*Fig. 5*



*Fig. 6*



*Fig. 7*