



US00D699409S

(12) **United States Design Patent**
Cho et al.

(10) **Patent No.:** **US D699,409 S**
(45) **Date of Patent:** **** Feb. 11, 2014**

(54) **WASHING MACHINE**

(71) Applicant: **Samsung Electronics Co., Ltd.**,
Gyeonggi-do (KR)

(72) Inventors: **Chul-Yong Cho**, Seoul (KR); **Jongsu Jeon**, Gyeonggi-do (KR); **Chris Bangle**, Clavesana (IT); **Seonju Lee**, Seoul (KR)

(73) Assignee: **Samsung Electronics Co., Ltd.**,
Suwon-Si (KR)

(**) Term: **14 Years**

(21) Appl. No.: **29/441,389**

(22) Filed: **Jan. 4, 2013**

(30) **Foreign Application Priority Data**

Jul. 5, 2012 (KR) 30-2012-0032841

(51) **LOC (10) Cl.** **15-05**

(52) **U.S. Cl.**
USPC **D32/29.1**

(58) **Field of Classification Search**
USPC D32/1, 6, 8, 25, 29.1; D3/203.2, 273;
D6/542; 134/58 D, 93, 99.2, 200;
68/12.18, 17 R, 207, 212
See application file for complete search history.

(56) **References Cited**

U.S. PATENT DOCUMENTS

2,219,487 A * 10/1940 Nyden 206/534.2
2,492,864 A * 12/1949 Hermani 206/540
2,655,259 A * 10/1953 Davoren 225/43
2,722,309 A * 11/1955 Waterman 206/534.2

6,138,693 A * 10/2000 Matz 134/57 D
D514,308 S * 2/2006 Wahl et al. D3/203.2
7,254,966 B2 * 8/2007 Kim et al. 68/17 R
D574,606 S * 8/2008 Muhlhausen et al. D3/203.2
D616,161 S * 5/2010 Tridello et al. D32/3
7,757,858 B2 * 7/2010 Cross 206/540
7,845,361 B1 * 12/2010 Verespej et al. 134/99.2
D663,498 S * 7/2012 Jeon et al. D32/29.1

* cited by examiner

Primary Examiner — T. Chase Nelson

Assistant Examiner — Kathleen M Sims

(74) *Attorney, Agent, or Firm* — Ladas & Parry LLP

(57) **CLAIM**

We claim the ornamental design for a washing machine, as shown and described.

DESCRIPTION

FIG. 1 is a front/right-side/top perspective view of a washing machine showing our new design;
FIG. 2 is a front elevational view thereof;
FIG. 3 is a rear elevational view thereof;
FIG. 4 is a left-side elevational view thereof;
FIG. 5 is a right-side elevational view thereof;
FIG. 6 is a top plan view thereof;
FIG. 7 is a bottom plan view thereof; and,
FIG. 8 is a front/right-side/top perspective view thereof showing where the detergent drawer is located.
None of broken lines form a part of the claimed design.
The chain lines (dot-dash-dot) shown in FIG. 8 represent the insertion of the detergent container into the detergent container slot.

1 Claim, 8 Drawing Sheets

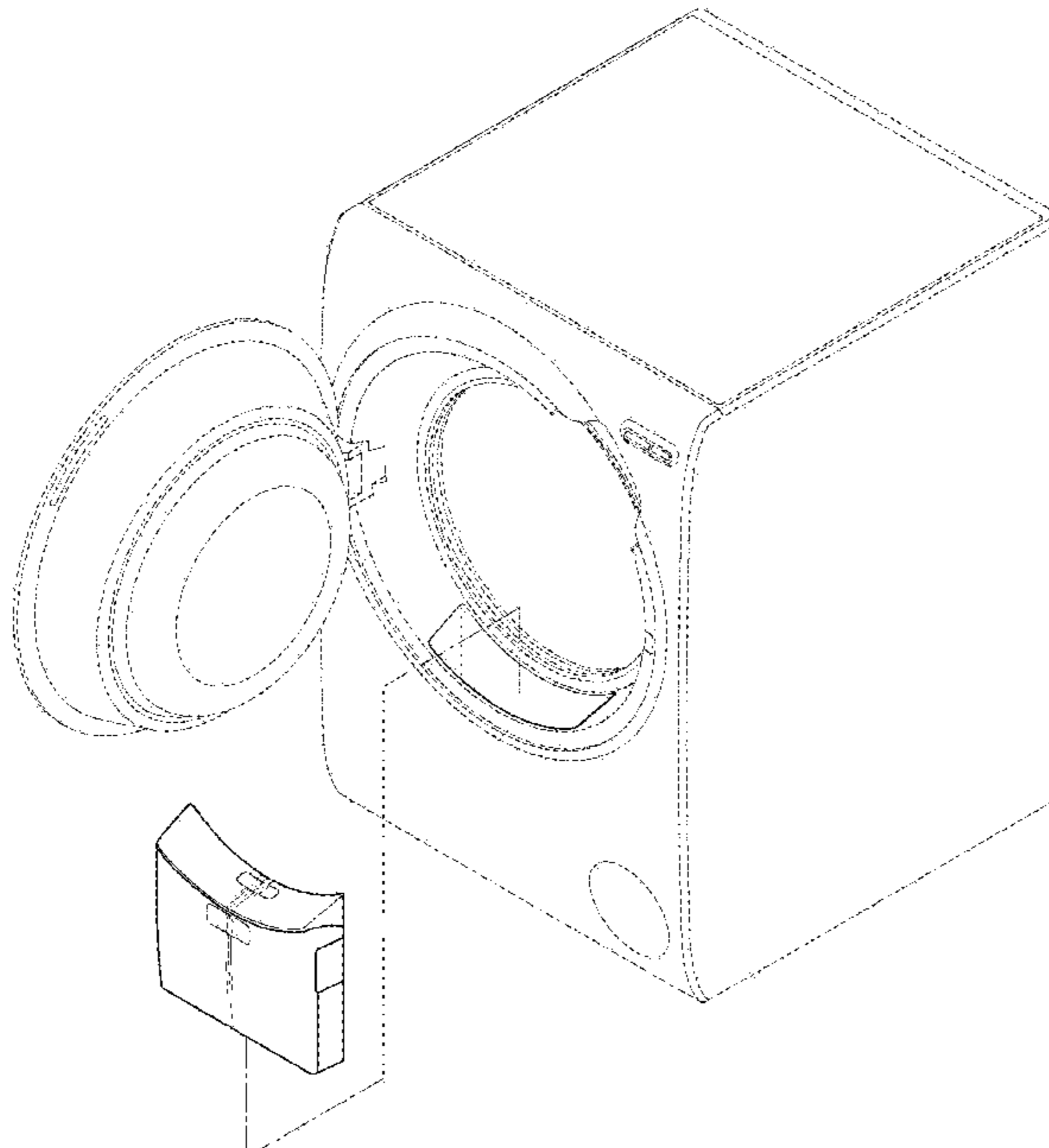


FIG. 1

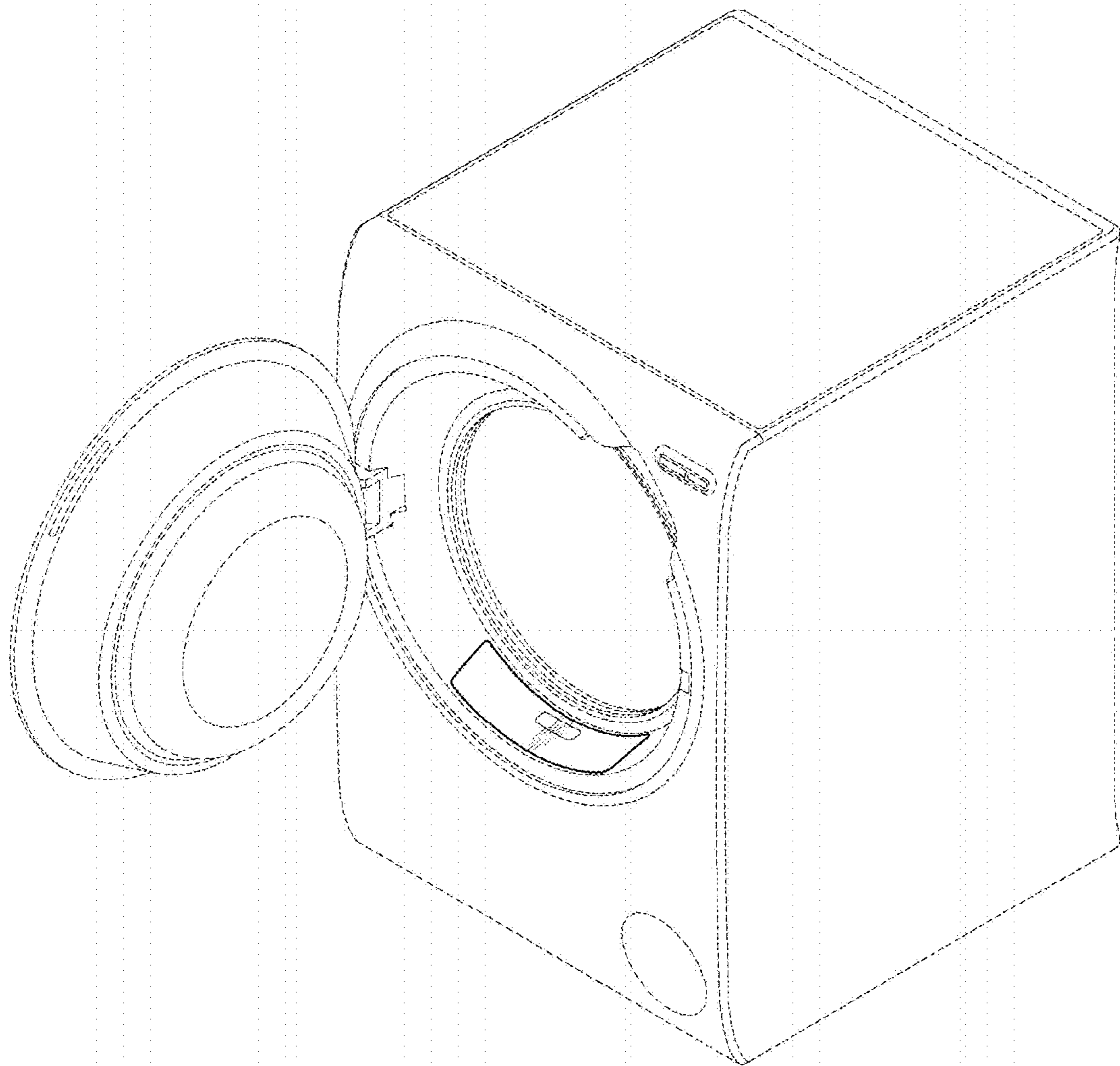


FIG. 2

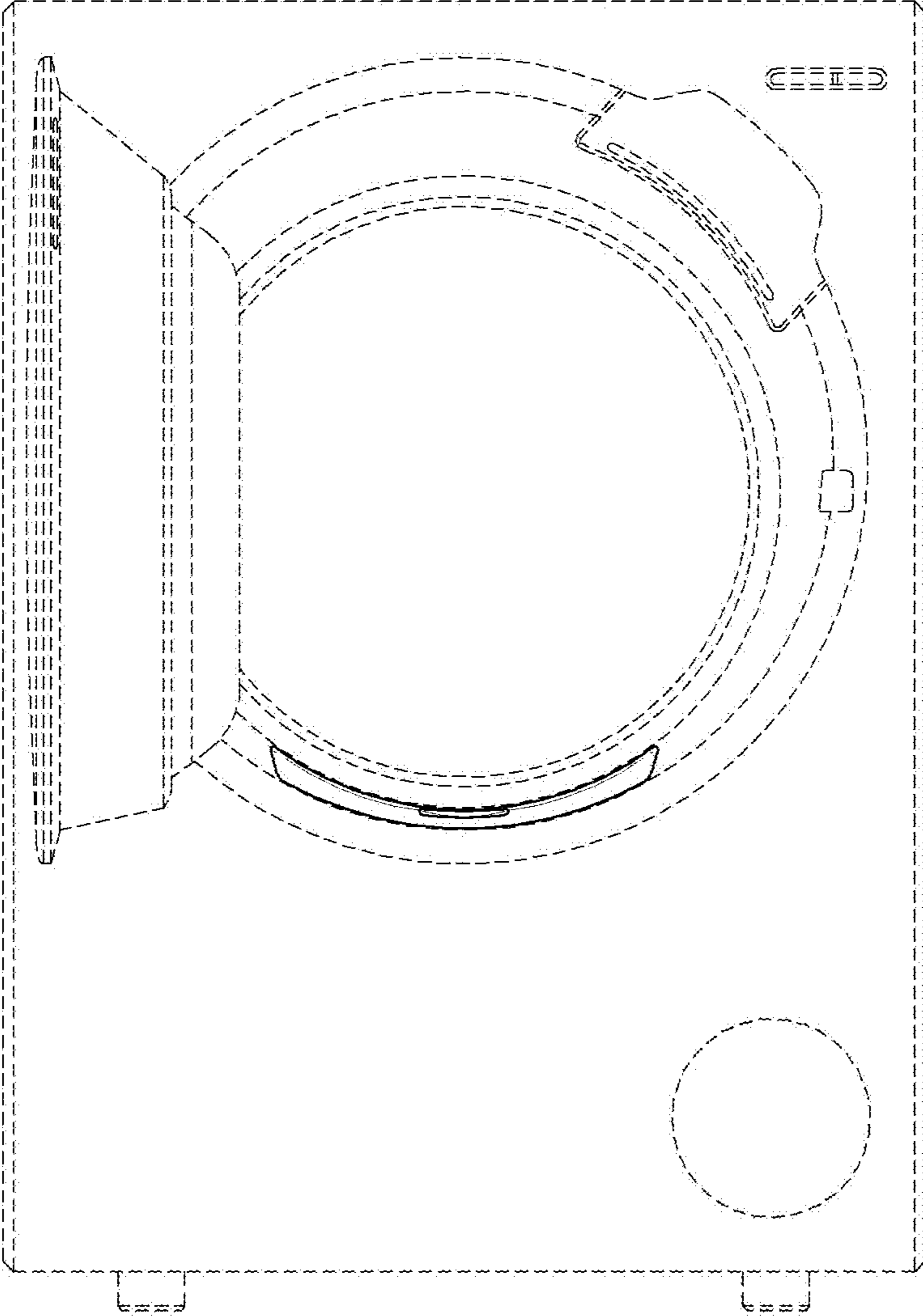


FIG. 3

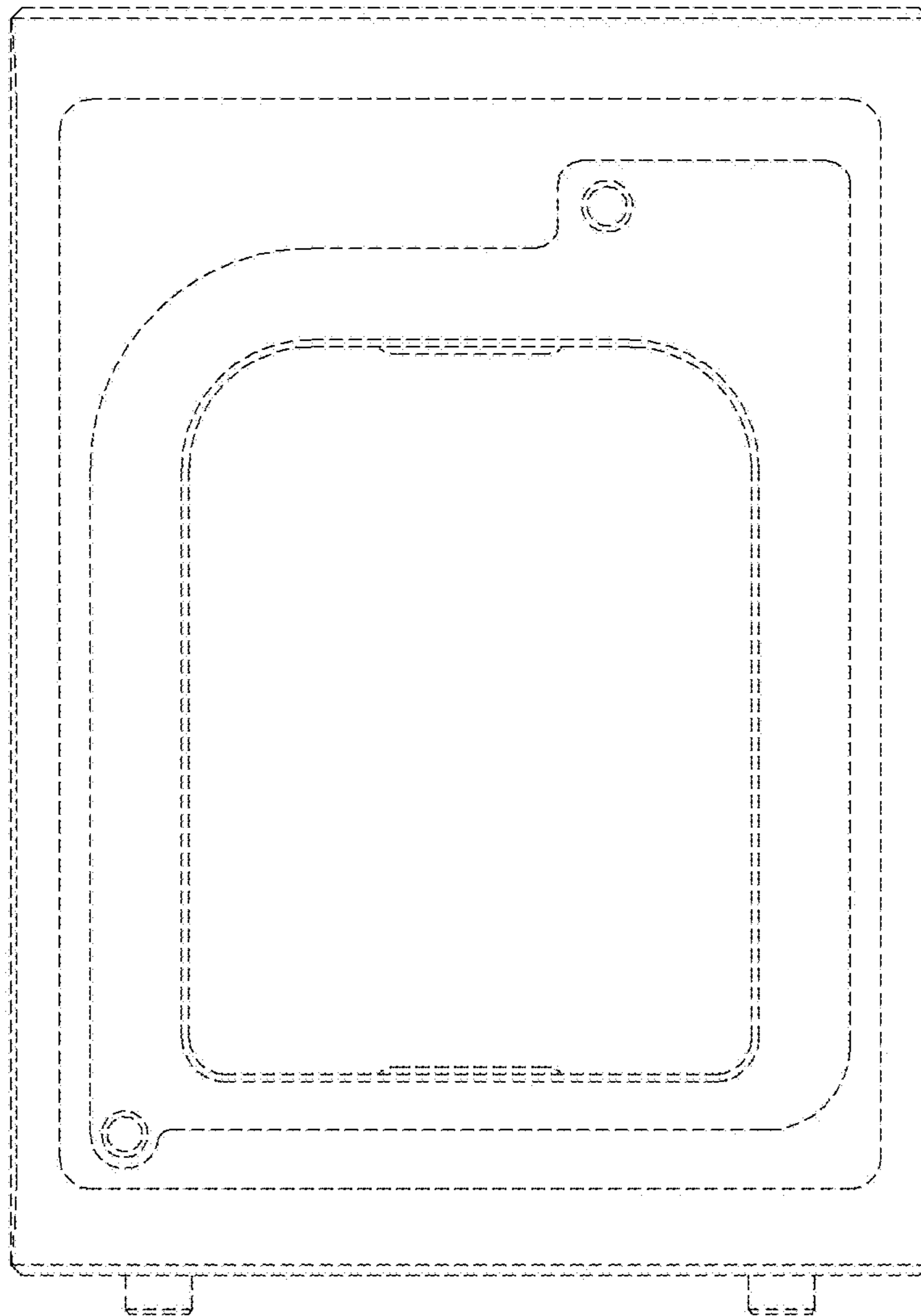


FIG. 4

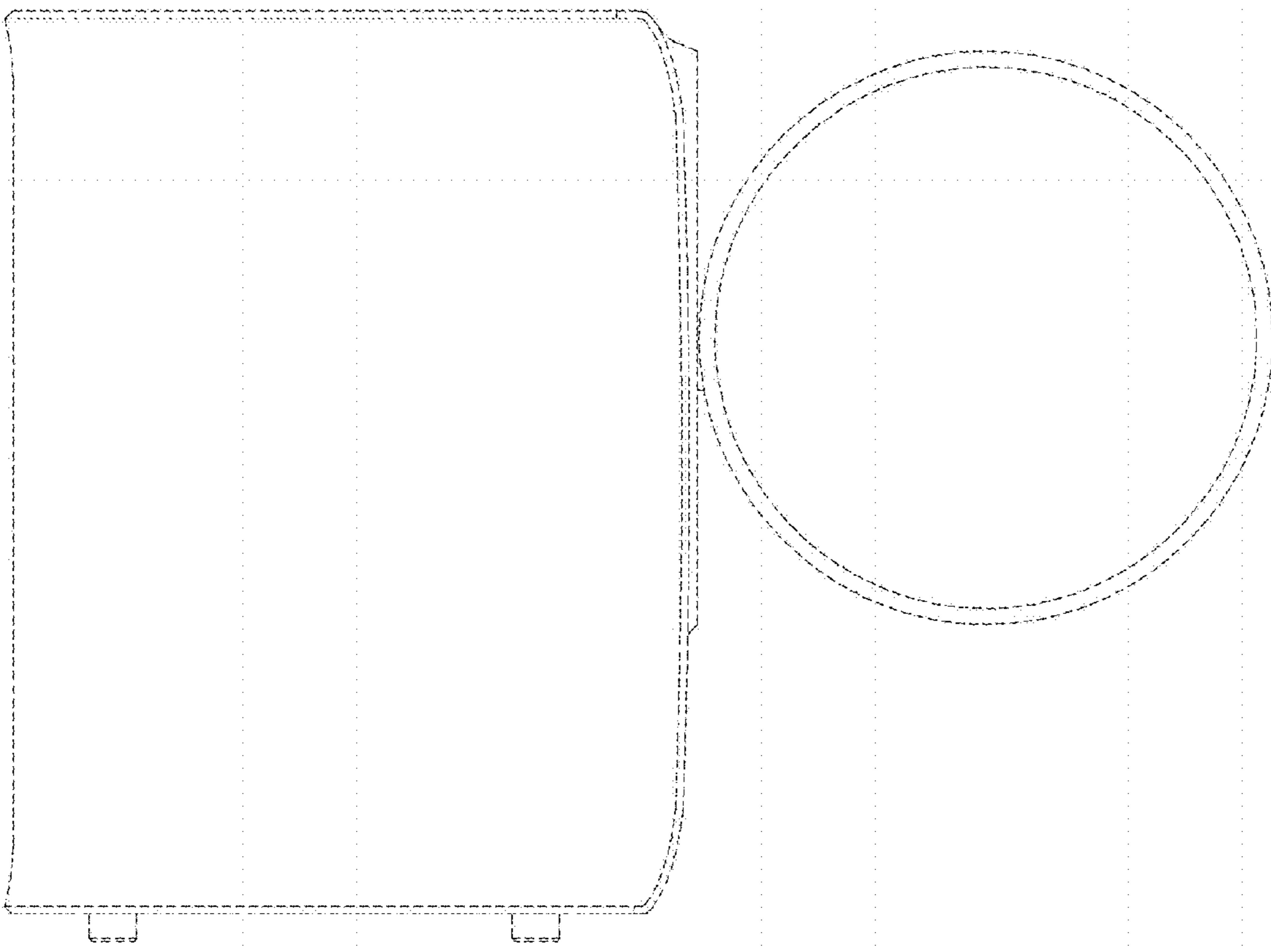


FIG. 5

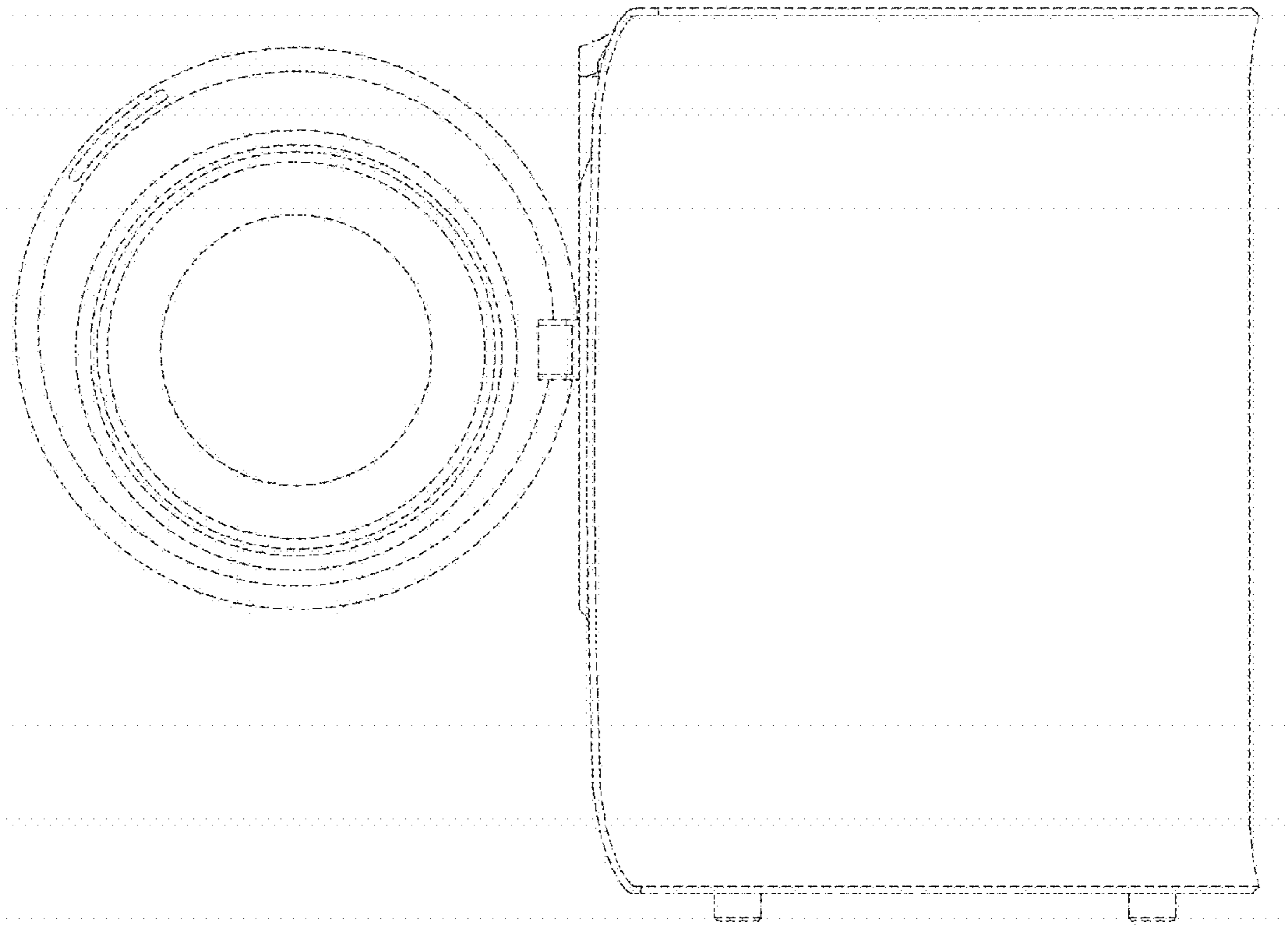


FIG. 6

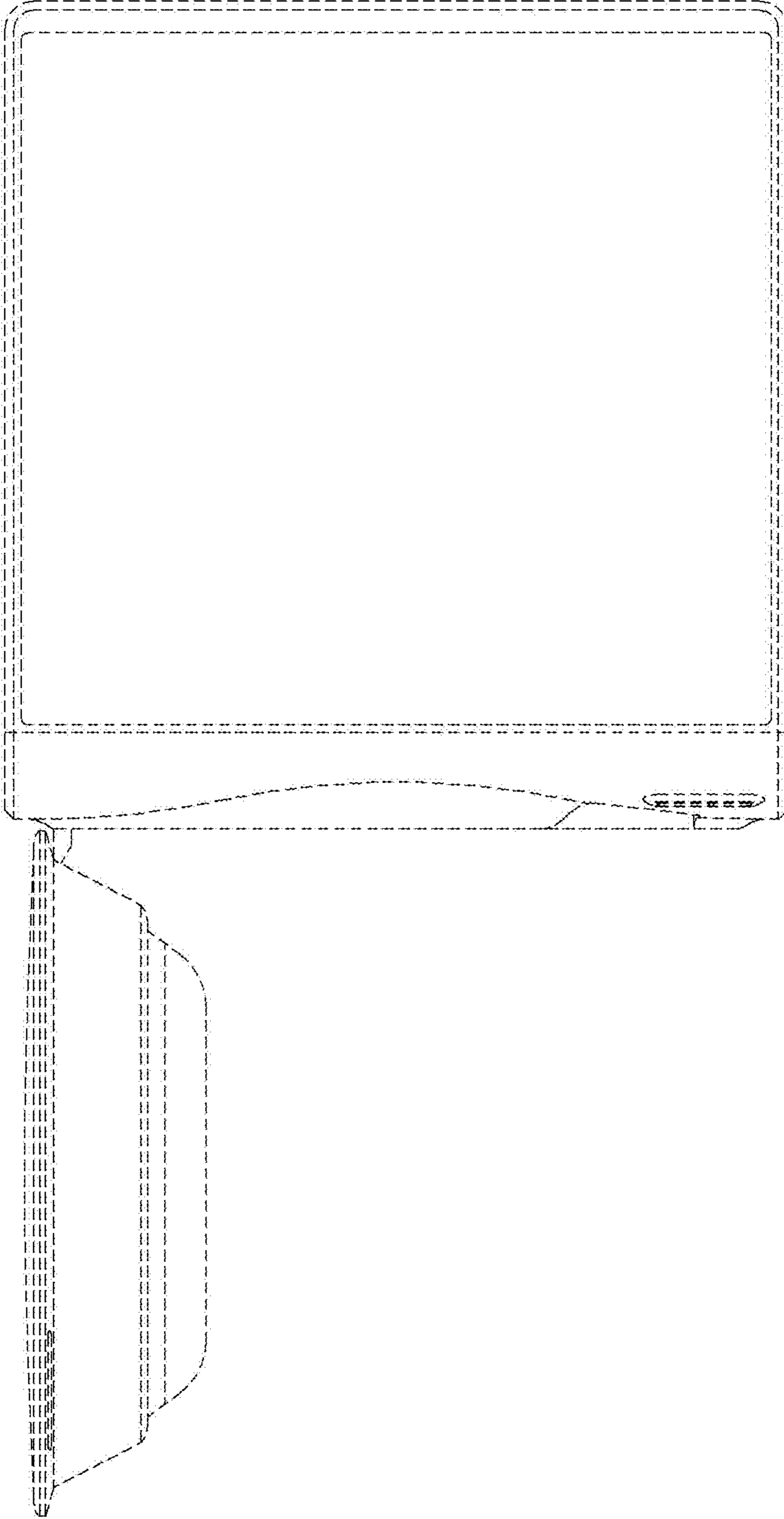


FIG. 7

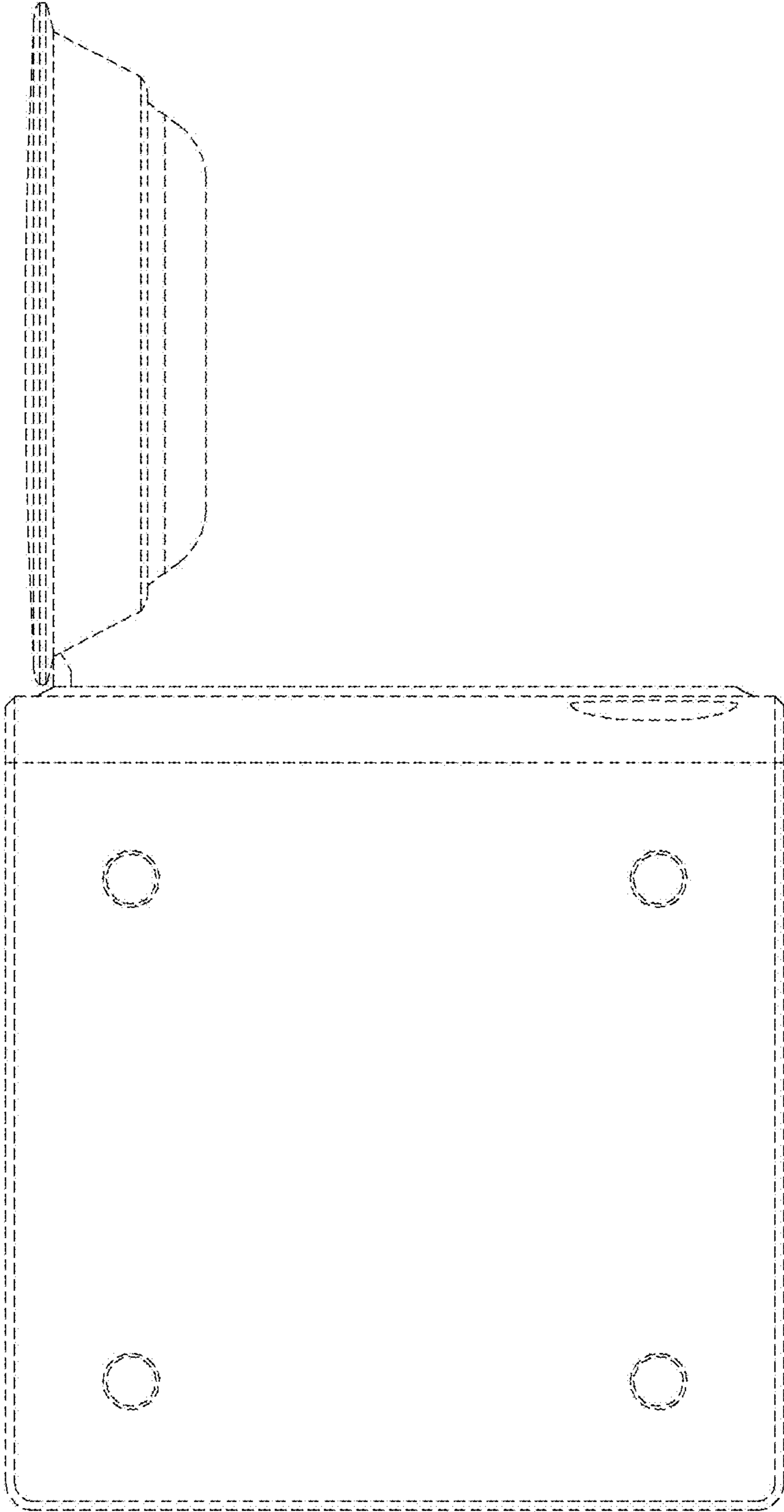


FIG. 8

