



US00D699408S

(12) **United States Design Patent**
Song

(10) **Patent No.:** **US D699,408 S**

(45) **Date of Patent:** **** Feb. 11, 2014**

(54) **VACUUM CLEANER**

(71) Applicant: **Beijing Lierpu Electric Appliance Co., Ltd, Beijing (CN)**

(72) Inventor: **Hongli Song, Beijing (CN)**

(**) Term: **14 Years**

(21) Appl. No.: **29/447,524**

(22) Filed: **Mar. 4, 2013**

(51) **LOC (10) Cl.** **15-05**

(52) **U.S. Cl.**
USPC **D32/18**

(58) **Field of Classification Search**
USPC D32/17-18, 31, 34, 22; 15/344, 329, 15/335, 327.1, 327.2, 410-411, 246.2, 15/409, 300.1, 347, 352-353, 327.5, 338, 15/412, 351; 55/DIG. 2, 429
See application file for complete search history.

(56) **References Cited**

U.S. PATENT DOCUMENTS

D207,632 S *	5/1967	Anderson	D32/17
D303,170 S *	8/1989	Hirano	D32/18
D306,657 S *	3/1990	Fushiya et al.	D32/18
D569,563 S *	5/2008	Shin et al.	D32/18
D608,513 S *	1/2010	Ho	D32/22

D611,209 S *	3/2010	Shin	D32/18
D671,695 S *	11/2012	Seo et al.	D32/18
2012/0151711 A1 *	6/2012	Lee et al.	15/347

* cited by examiner

Primary Examiner — Ruth McInroy

(74) *Attorney, Agent, or Firm* — Maschoff Brennan

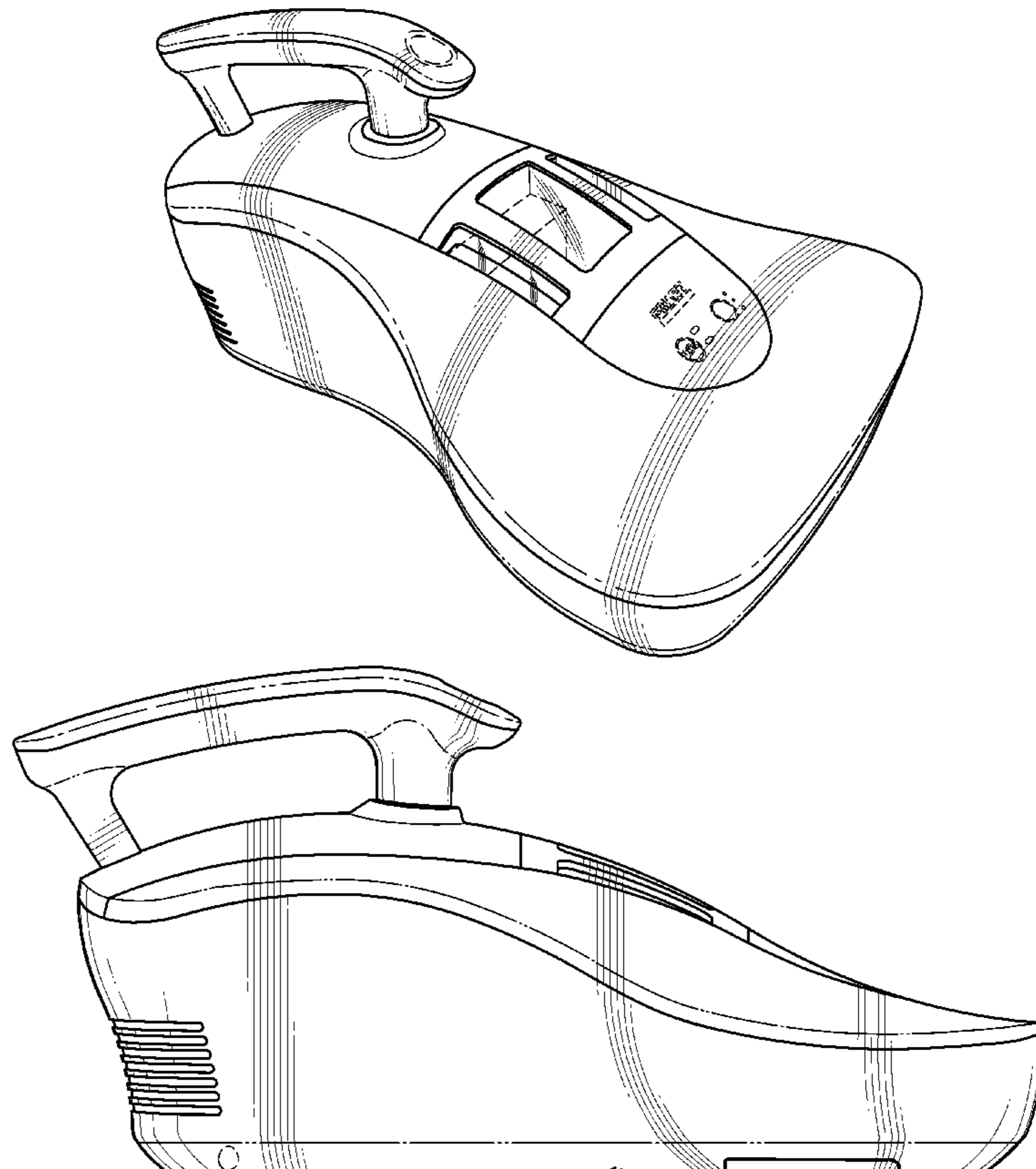
(57) **CLAIM**

The ornamental design for a vacuum cleaner, as shown and described in the Figures.

DESCRIPTION

FIG. 1 is a perspective view of a vacuum cleaner showing my new design;
 FIG. 2 is an exploded perspective view thereof, showing the dust box separate from the vacuum cleaner;
 FIG. 3 is a front elevational view thereof;
 FIG. 4 is a rear elevational view thereof;
 FIG. 5 is a top plan view thereof;
 FIG. 6 is a bottom plan view thereof;
 FIG. 7 is a left side elevational view thereof; and,
 FIG. 8 is a right side elevational view thereof.
 The broken lines in FIGS. 1-8 are for the purpose of illustration only and form no part of the claimed design.
 The claimed vacuum cleaner depicted in the drawings may vacuum, sterilize and kill mites to bed, sofa, desktop, carpets, tapestries and other household surfaces.

1 Claim, 7 Drawing Sheets



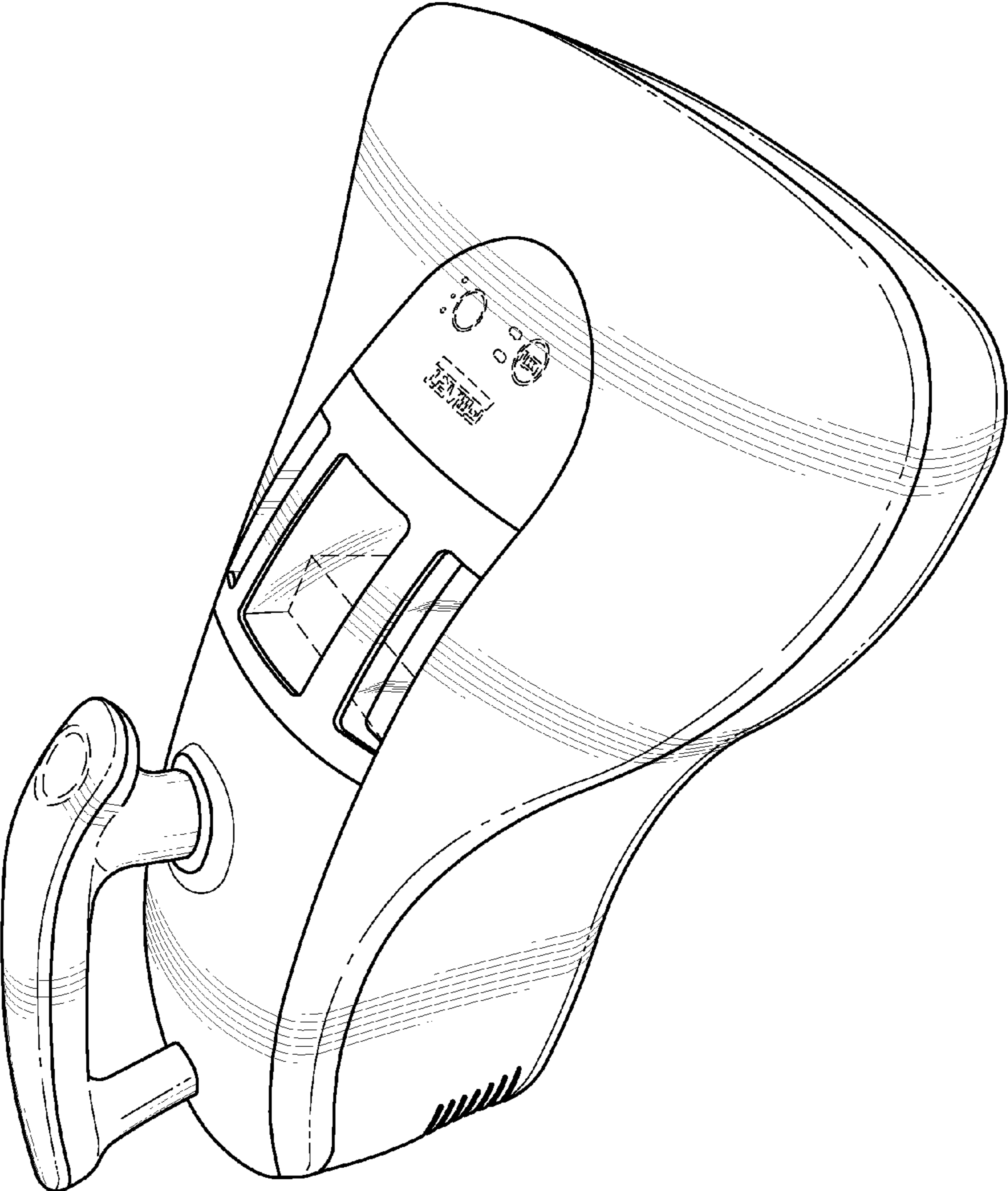


Fig. 1

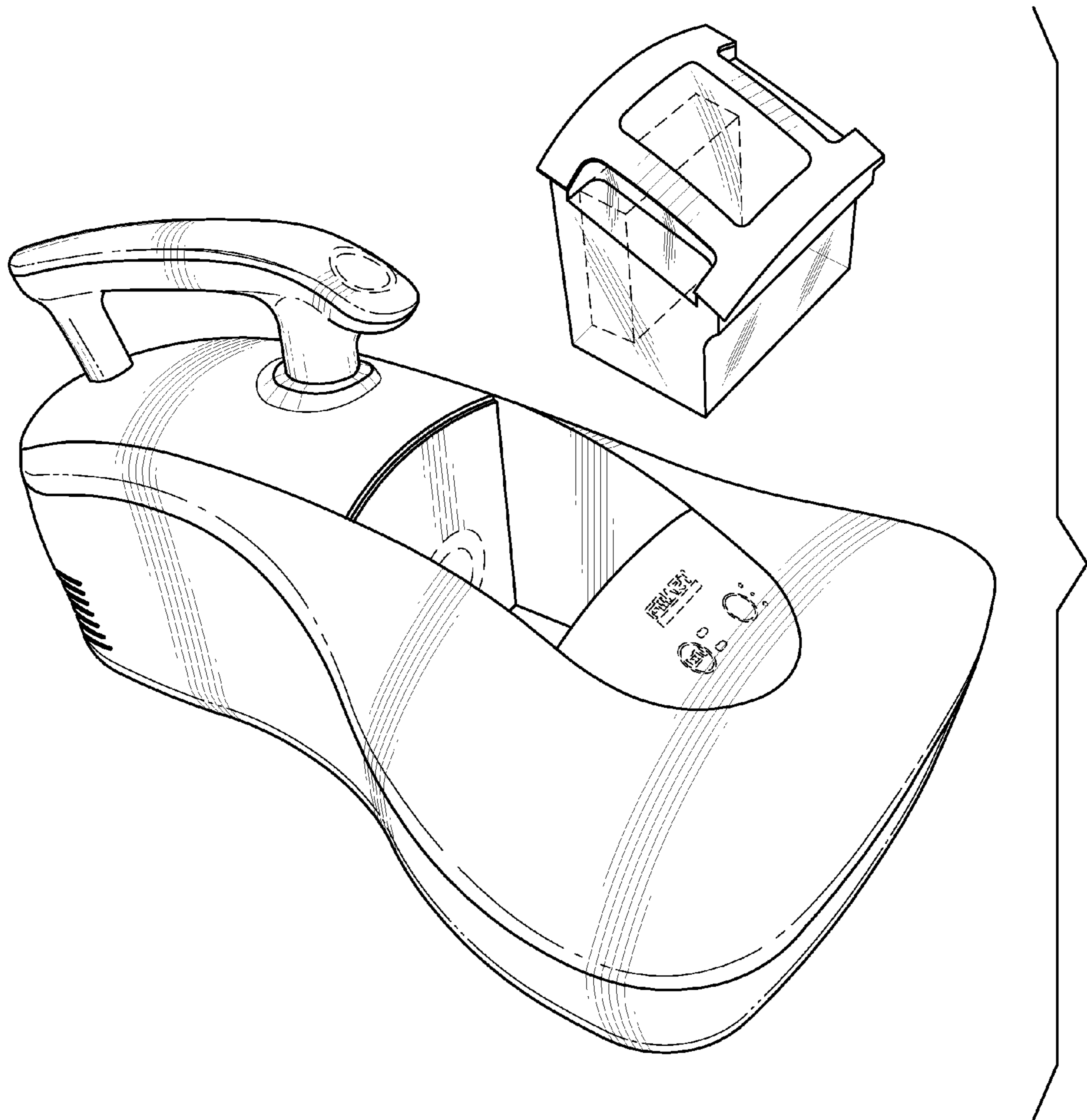


Fig. 2

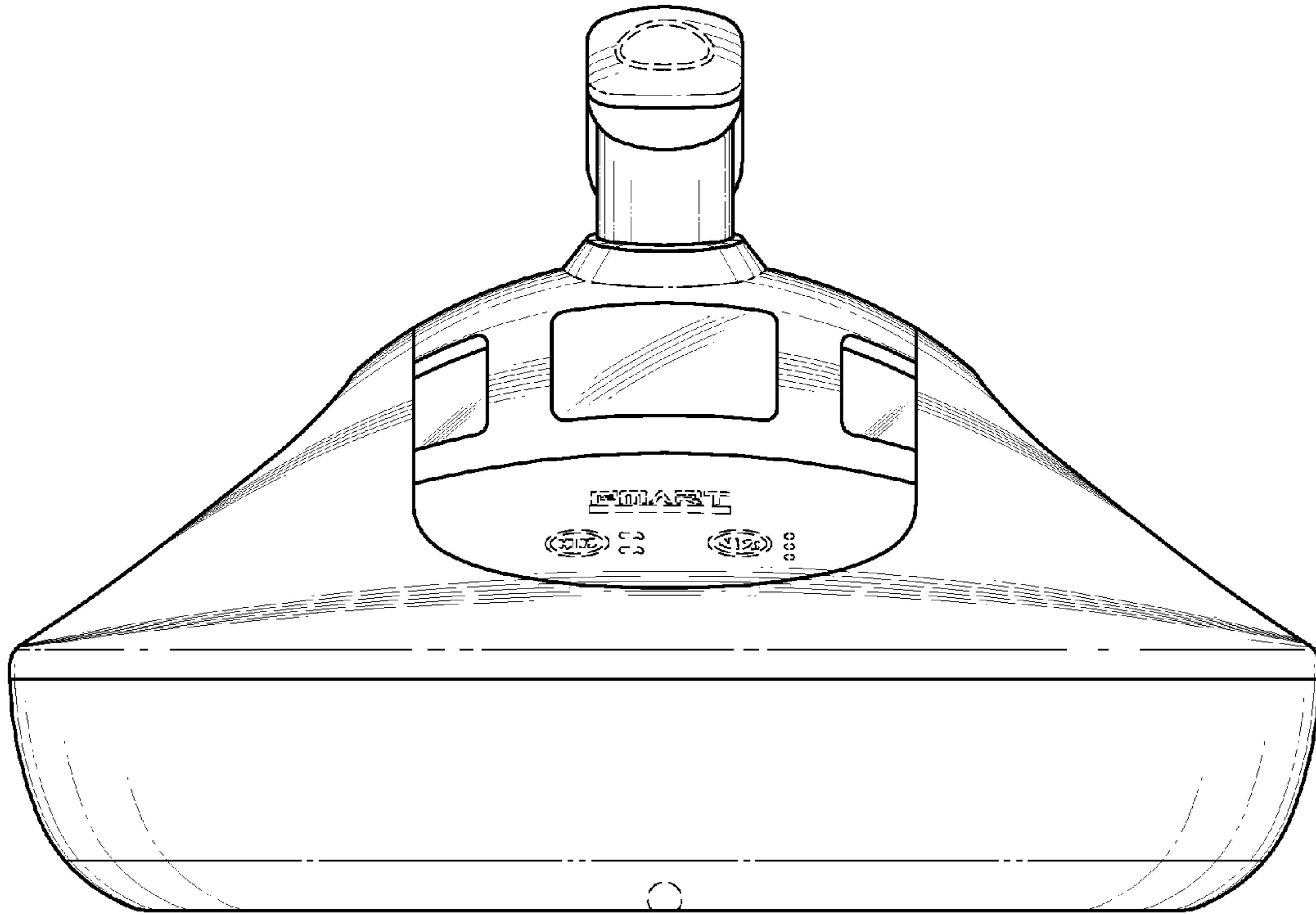


Fig. 3

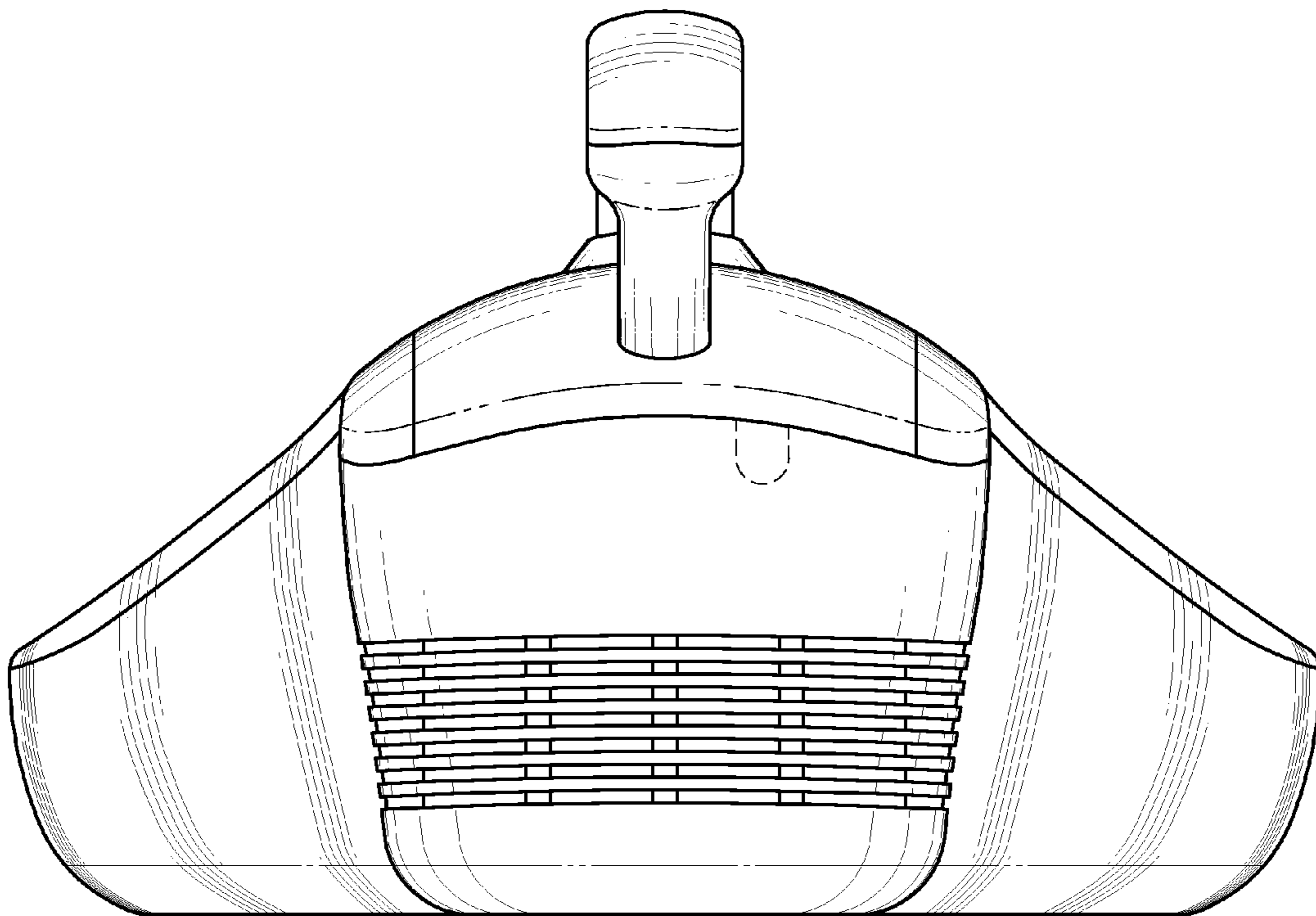


Fig. 4

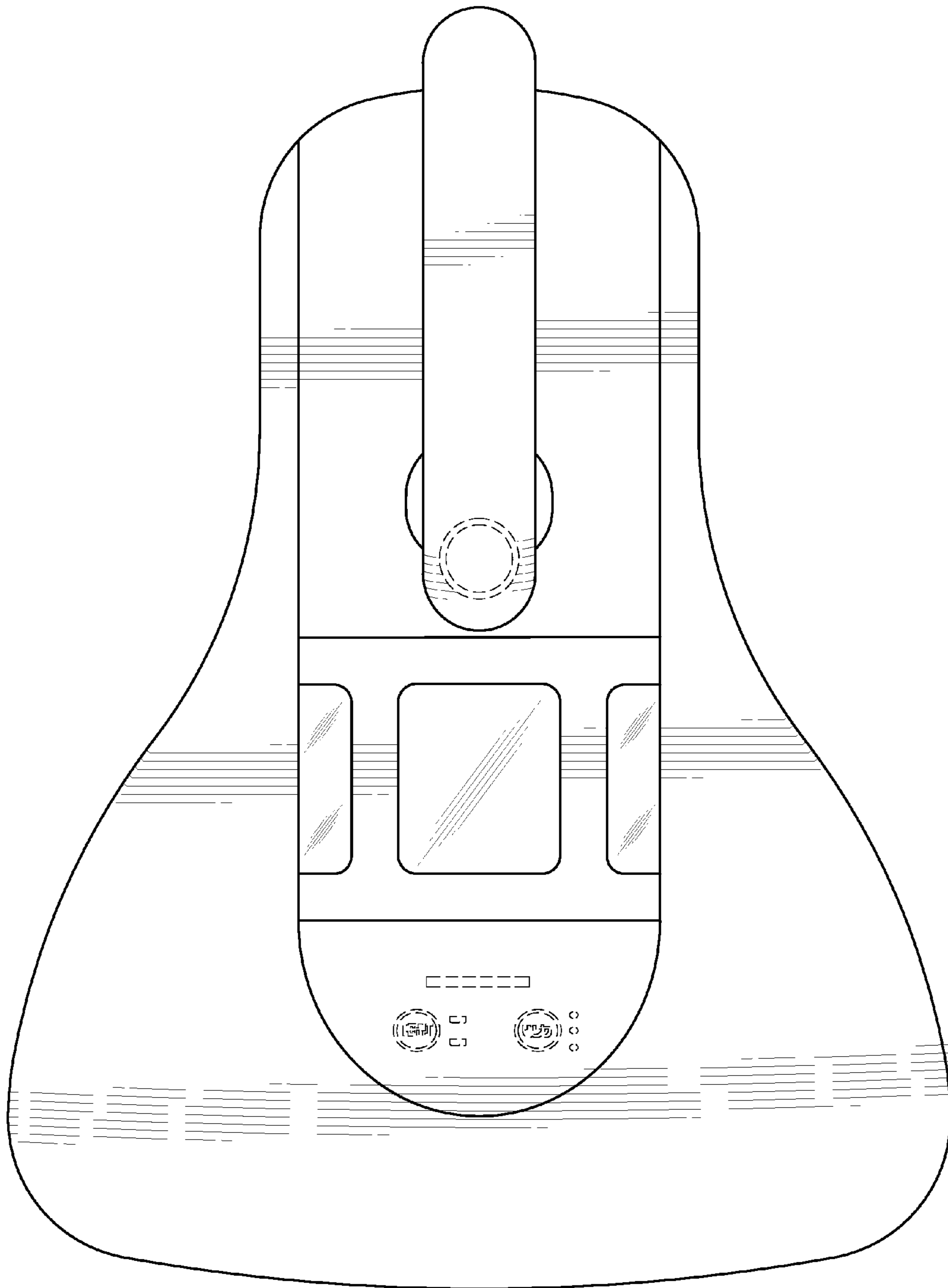


Fig. 5

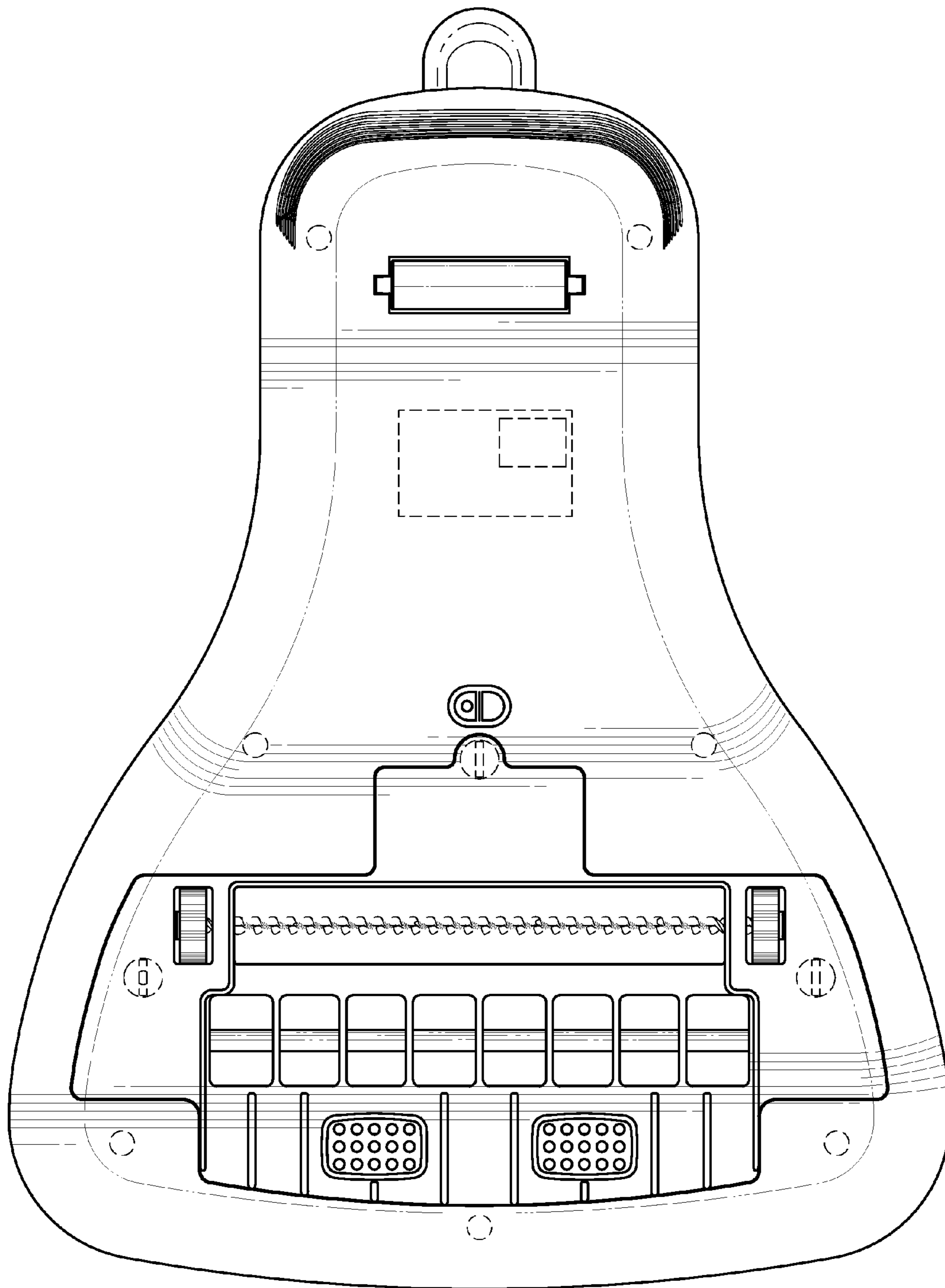


Fig. 6

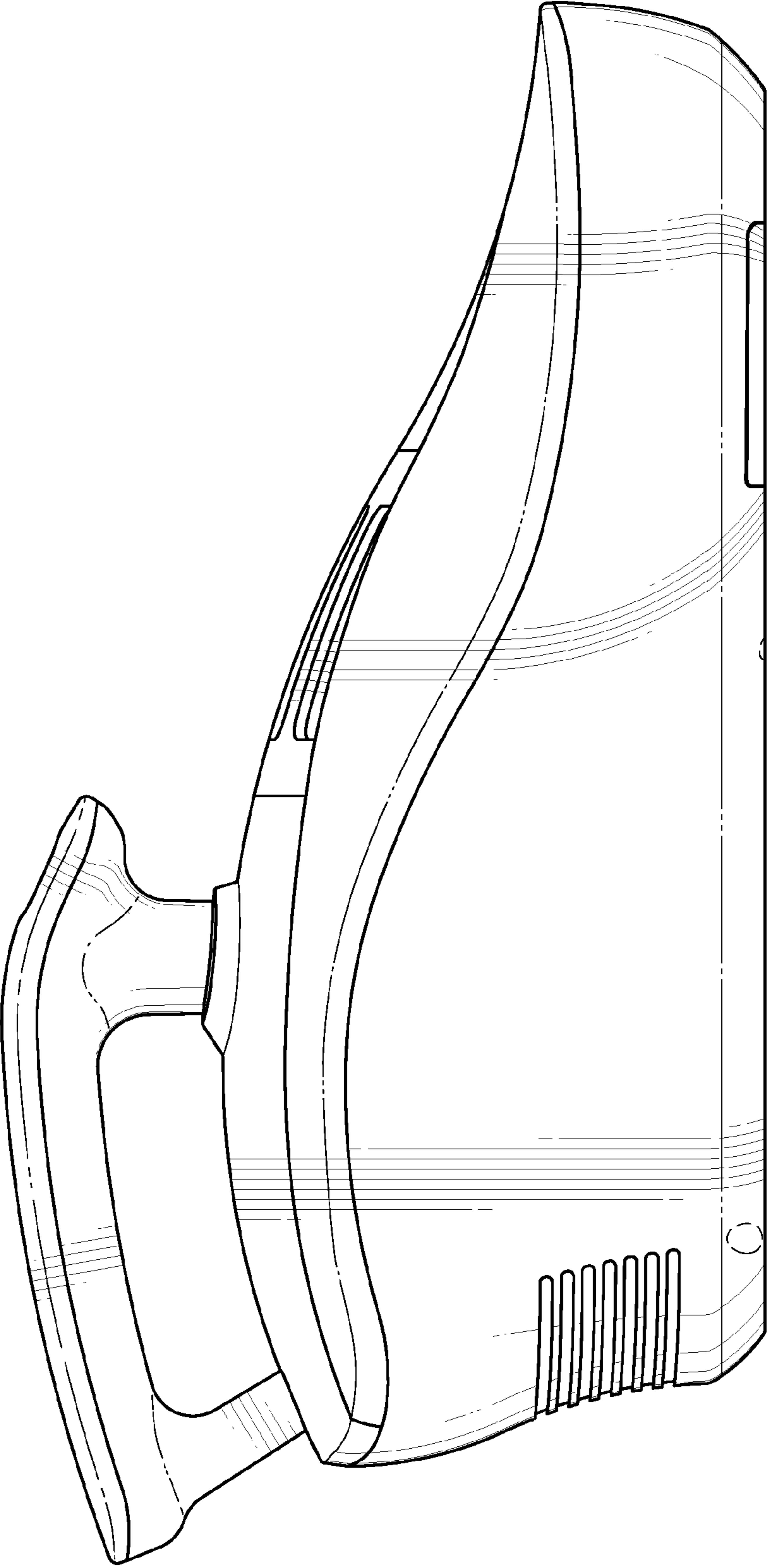


Fig. 7

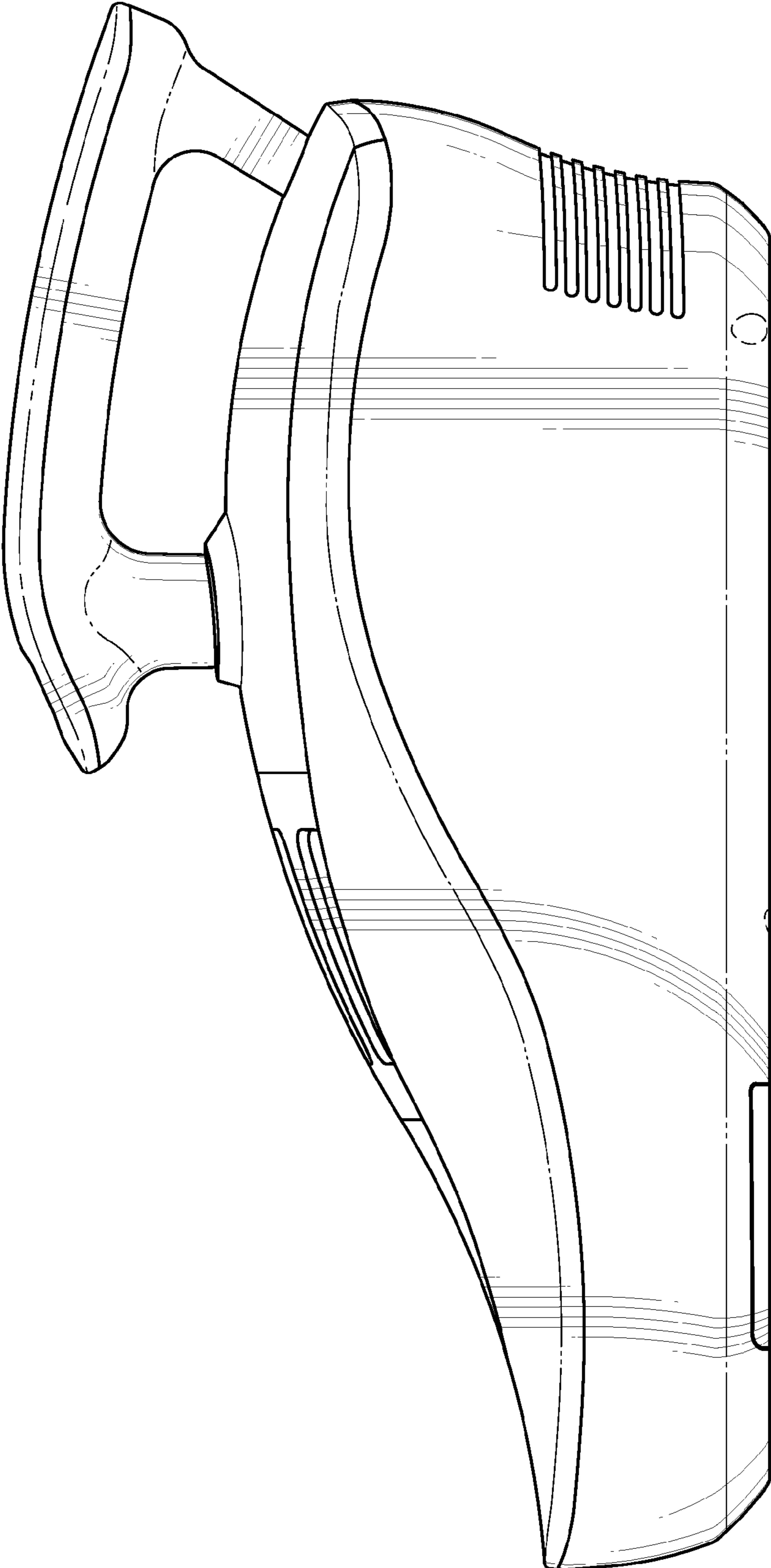


Fig. 8