

US00D699407S

(12) **United States Design Patent**
Sikora et al.

(10) **Patent No.:** **US D699,407 S**
(45) **Date of Patent:** **** Feb. 11, 2014**

(54) **LITTER BOX**

(71) Applicant: **Target Brands, Inc.**, Minneapolis, MN (US)

(72) Inventors: **Elyse Sikora**, Minneapolis, MN (US);
Jeremy Berghoff, Chaska, MN (US);
Stacy Abel, Maple Grove, MN (US);
Samuel D. Silva, Robbinsdale, MN (US);
Richard P. Riedel, Blaine, MN (US)

(73) Assignee: **Target Brands, Inc.**, Minneapolis, MN (US)

(**) Term: **14 Years**

(21) Appl. No.: **29/448,448**

(22) Filed: **Mar. 12, 2013**

(51) **LOC (10) Cl.** **30-99**

(52) **U.S. Cl.**
USPC **D30/161**

(58) **Field of Classification Search**
USPC D30/108-109, 112-113, 118, 161, 160;
119/161, 165-167, 416, 452-456, 474,
119/482, 496-499, 500, 502, 459, 461, 465,
119/468, 472, 495, 501, 512-513, 622,
119/28.5, 168, 706, 708; D3/273
See application file for complete search history.

(56) **References Cited**

U.S. PATENT DOCUMENTS

| | | | | |
|-----------|-----|---------|--------------|---------|
| 3,035,544 | A * | 5/1962 | Katt, Jr. | 119/498 |
| 3,343,520 | A | 9/1967 | Schwarz, Jr. | |
| D218,446 | S | 8/1970 | Sleith | |
| D248,333 | S | 6/1978 | Haugen | |
| 4,352,340 | A | 10/1982 | Strubelt | |
| D288,733 | S | 3/1987 | Welker | |
| 4,667,622 | A * | 5/1987 | Breault | 119/165 |
| 4,700,831 | A | 10/1987 | Kassai | |

| | | | |
|-----------|---|---------|-----------------|
| D298,371 | S | 11/1988 | Reynolds |
| 4,792,082 | A | 12/1988 | Williamson |
| D300,965 | S | 5/1989 | Conner |
| D300,966 | S | 5/1989 | Conner |
| D300,967 | S | 5/1989 | Conner |
| D300,968 | S | 5/1989 | Conner |
| 4,986,217 | A | 1/1991 | Robinson et al. |

(Continued)

OTHER PUBLICATIONS

“Clevercat® Top-Entry Litterbox”, printed from www.clevercatinnovations.com/top_entry_litterbox_about.aspx publicly available as early as May 1, 2012, per <http://web.archive.org> (3 pages).

(Continued)

Primary Examiner — Cathy A MacCormac

(74) *Attorney, Agent, or Firm* — Griffiths & Seaton PLLC;
JoAnn M. Seaton

(57) **CLAIM**

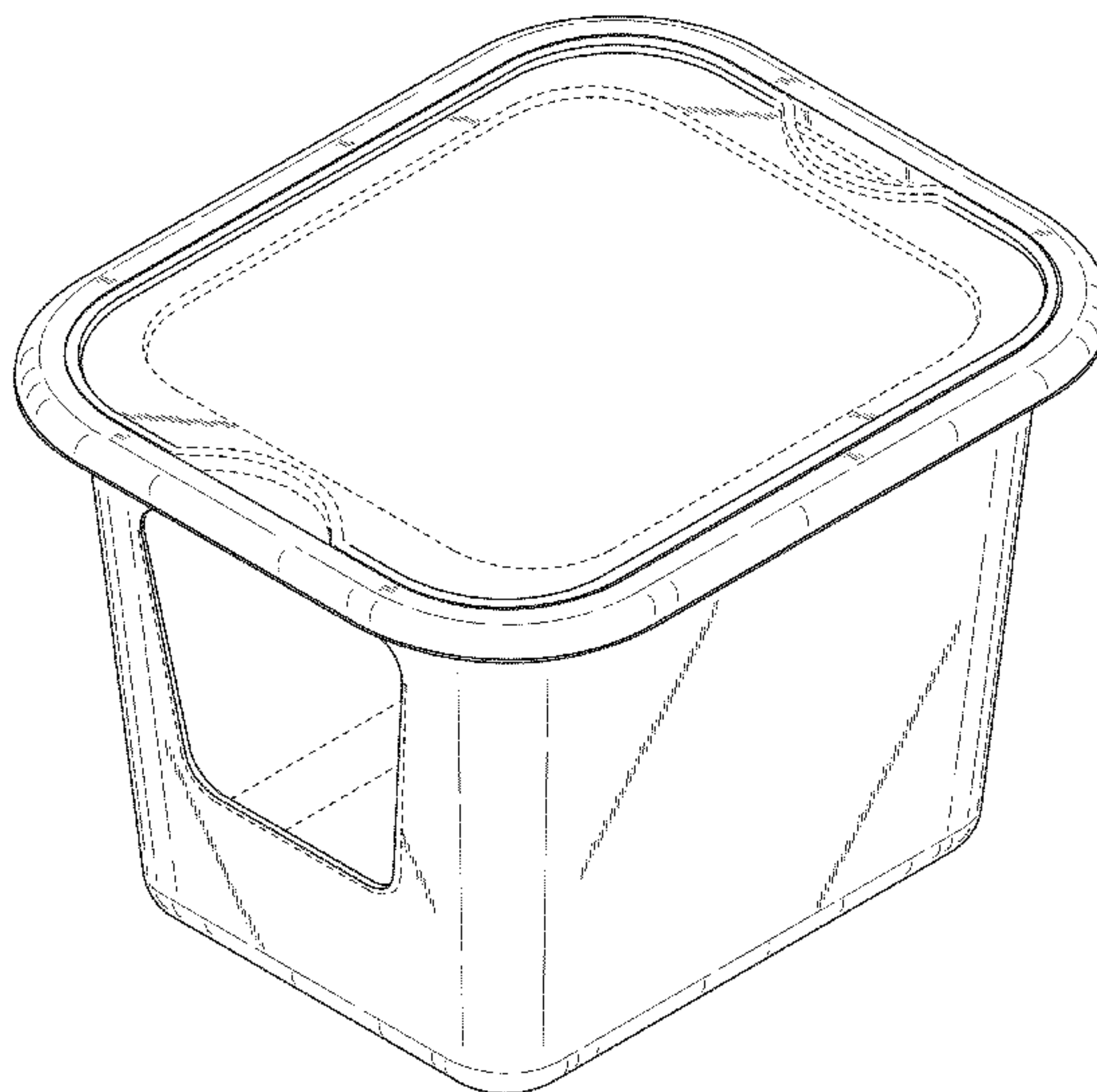
The ornamental design for a litter box, as shown and described.

DESCRIPTION

FIG. 1 is a front, top perspective view of a litter box showing our new design;
FIG. 2 is a front, bottom perspective view thereof;
FIG. 3 is a front view thereof;
FIG. 4 is a rear view thereof;
FIG. 5 is a right side view thereof; the left side view being a mirror image of the right side view;
FIG. 6 is a top view thereof; and,
FIG. 7 is a bottom view thereof.

The features shown in broken lines are portions of the litter box forming no part of the claimed design. The features shown in long dash-short dash bolded broken lines on FIGS. 2 and 7 indicate the bounds of the claimed design and otherwise form no part of the claimed design.

1 Claim, 7 Drawing Sheets



(56)

References Cited

U.S. PATENT DOCUMENTS

D319,117 S 8/1991 Goetz
 5,094,188 A 3/1992 Wolak
 5,148,768 A 9/1992 Hinton
 5,178,100 A 1/1993 Monk
 5,220,886 A 6/1993 Hyde
 D350,422 S 9/1994 Foster, Sr.
 D361,175 S 8/1995 VanSkiver
 D370,095 S 5/1996 Siler
 5,555,844 A * 9/1996 Kolomeyer 119/165
 5,558,041 A 9/1996 Fairall, Jr. et al.
 D374,774 S * 10/1996 Cassel D3/273
 D380,880 S 7/1997 Reid
 D392,076 S 3/1998 Goemans
 5,794,566 A * 8/1998 Goetz et al. 119/161
 D401,147 S 11/1998 Miller
 D426,034 S 5/2000 Faulstich
 6,135,057 A 10/2000 Cummings
 6,223,688 B1 5/2001 Engel
 6,295,949 B1 10/2001 Willis
 D483,158 S 12/2003 Ward
 6,662,748 B1 12/2003 Hanks
 D493,263 S 7/2004 Miller et al.
 D501,962 S 2/2005 Neves
 D502,576 S 3/2005 Miller et al.
 D526,748 S 8/2006 Van Skiver
 D528,252 S 9/2006 Van Skiver et al.
 D530,458 S 10/2006 Arnim
 D531,802 S * 11/2006 Zimmerman D3/276
 D569,053 S 5/2008 Lee
 D601,313 S 9/2009 Kim
 D603,112 S * 10/2009 Pergolski D30/161
 D616,617 S 5/2010 Cirincione et al.
 D622,913 S 8/2010 Schroeder et al.
 D646,444 S 10/2011 Lawson et al.
 D650,953 S 12/2011 Lee et al.

8,113,149 B2 * 2/2012 Quinn 119/622
 8,151,733 B2 * 4/2012 Gabriel et al. 119/475
 D663,081 S 7/2012 Chance et al.
 2005/0115509 A1 6/2005 Rudolph
 2007/0277740 A1 12/2007 Delman et al.
 2009/0000556 A1 1/2009 Matsuo et al.
 2009/0000559 A1 1/2009 Matsuo et al.
 2009/0000560 A1 1/2009 Matsuo et al.
 2012/0137980 A1 6/2012 Veness et al.
 2012/0234252 A1 9/2012 Donta et al.

OTHER PUBLICATIONS

“Flip Litter Box Modko”, printed from www.modko.com/pages/flip-litter-box on Dec. 4, 2012 (4 pages).
 “Hagen Catit Littersheif Cat Pan with Rim”, printed from www.wayfair.com/Hagen-Catit-Littershield-Cat-Pan-with-Rim-58702-HGE2436.html on Jan. 4, 2013 (4 pages).
 “Modern Cat Designs Hider Cat Litter Box”, printed from www.wayfair.com/Modern-Cat-Designs-Hider-Cat-Litter-Box-...75-K~MCD1000.html?refid=SW49-MCD1000_5766065&PiID%5B%5D=5766065 on Nov. 19, 2012 (5 pages).
 “Catit White Tiger Jumbo Litter Box”, printed from www.nationalpetpharmacy.com/product/52586/Catit-White-Tiger-Jumbo-Litter-Box?utm_source=shopzilla&utm_medium=cse on Nov. 19, 2012 (4 pages).
 “Nature’s Miracle Advanced High Sided Corner Litter Box”, printed from www.thatpetplace.com/Natures-Miracle-Advanced-Hooded-Hig...pc_id=1463&_key_id=26455884&gclid=CKr4zpOEz7QCFQpgMgodemwA2g on Jan. 4, 2013 (1 page).
 Gwynn, Michele, “When your cat cannot squat to urinate; build a handicap litter box”, Nov. 23, 2011, printed from www.examiner.com/article/when-your-cat-cannot-squat-to-urinate-build-a-handicap-litter-box (3 pages).

* cited by examiner

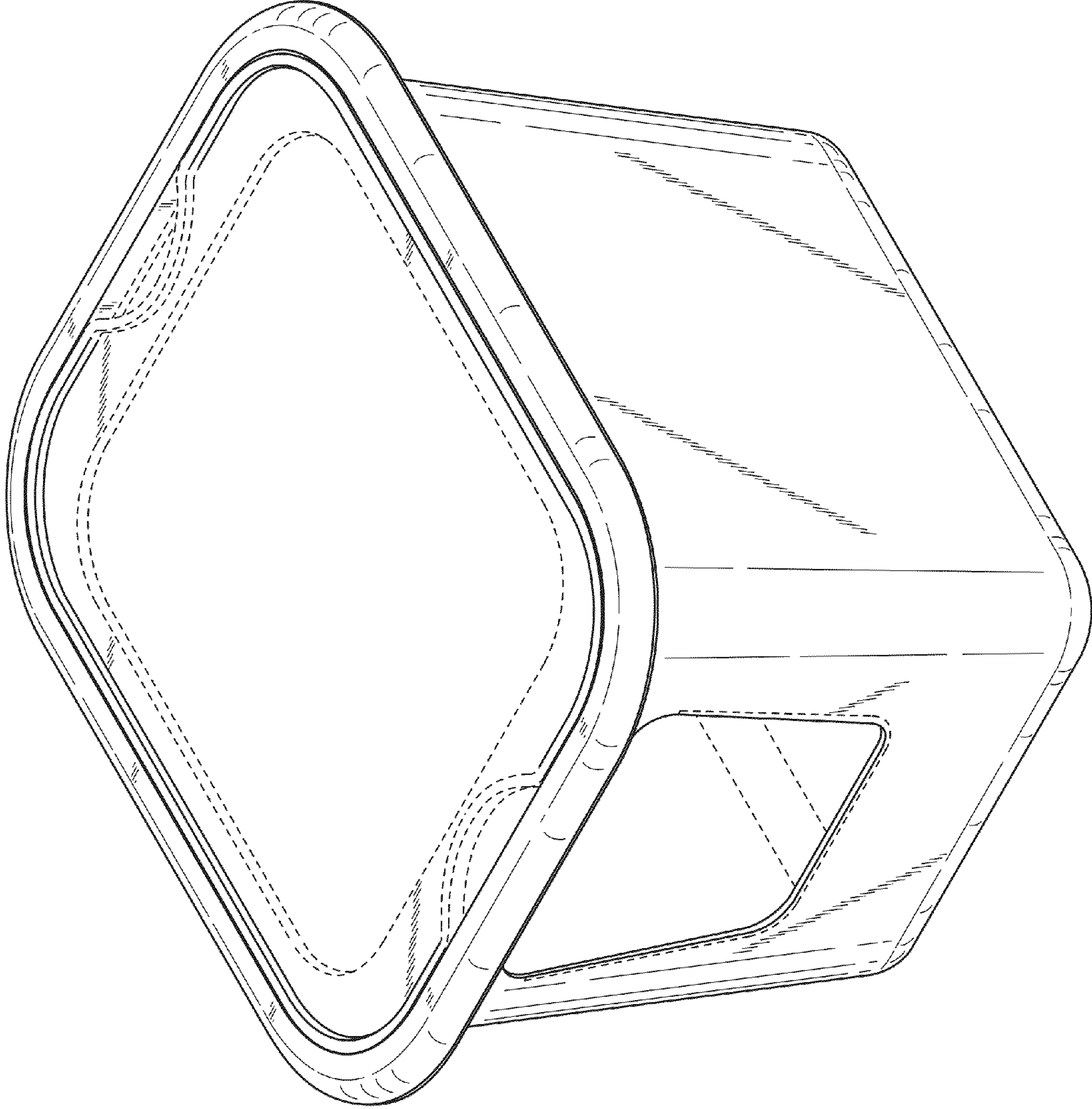


FIG. 1

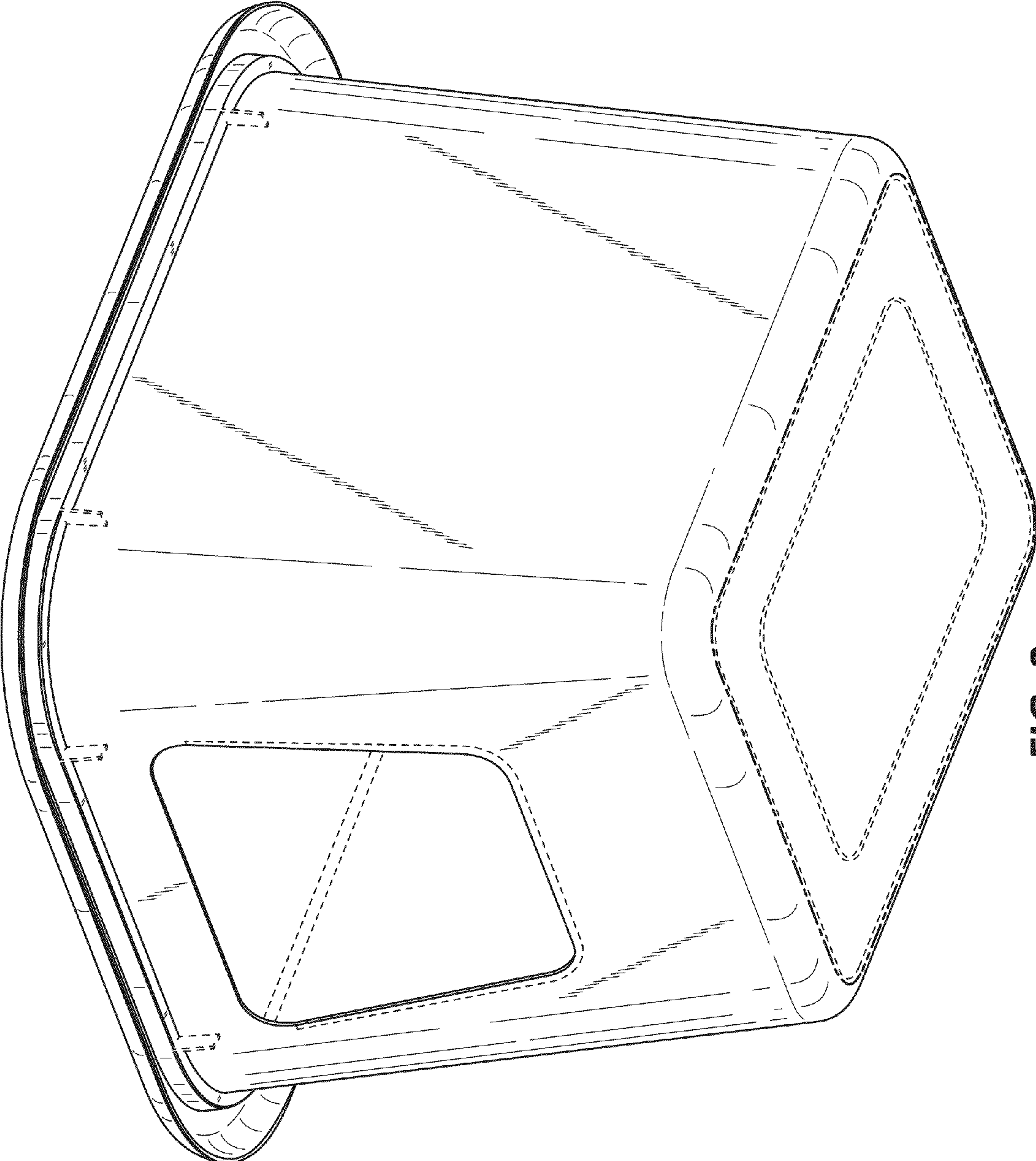


FIG. 2

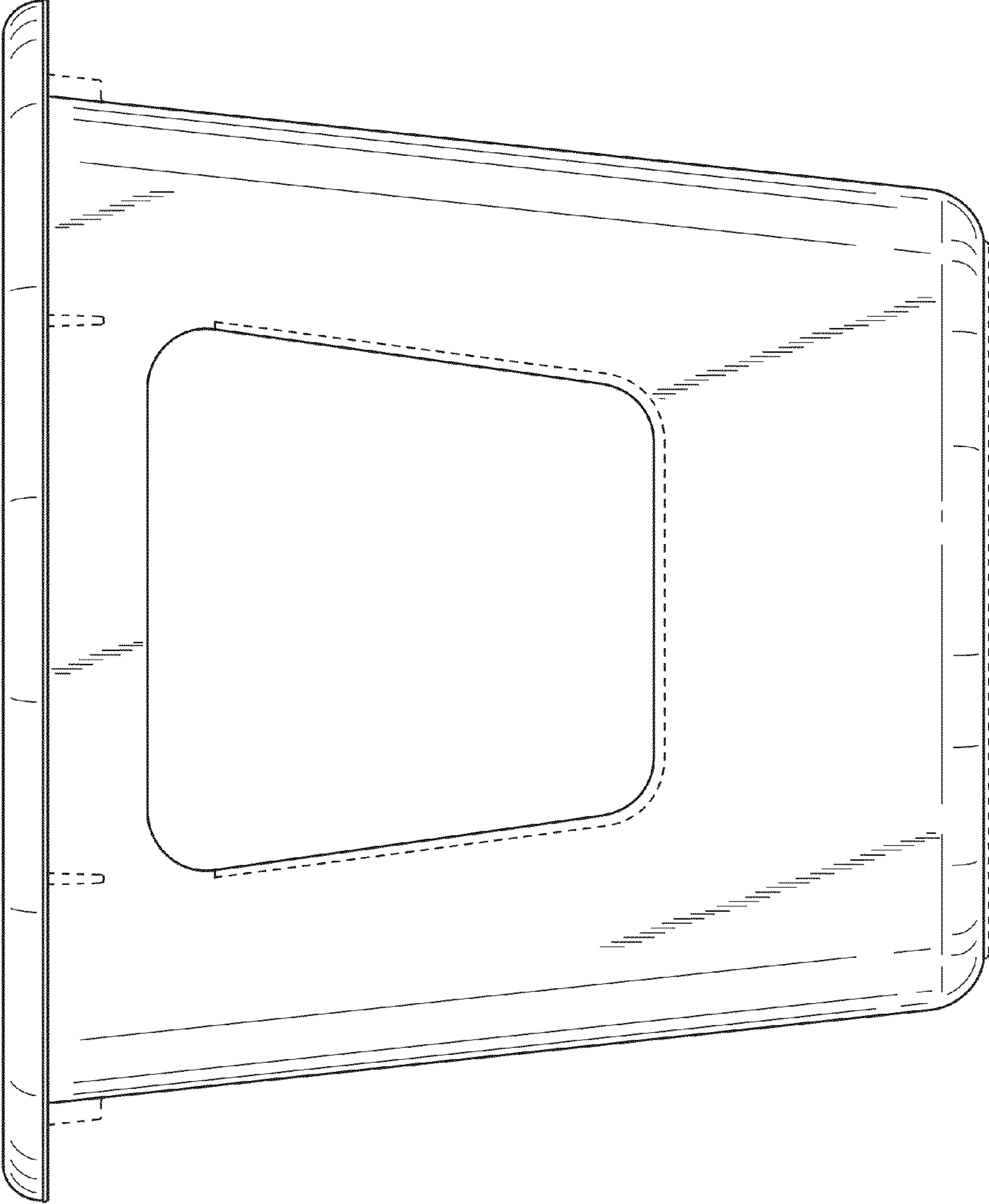


FIG. 3

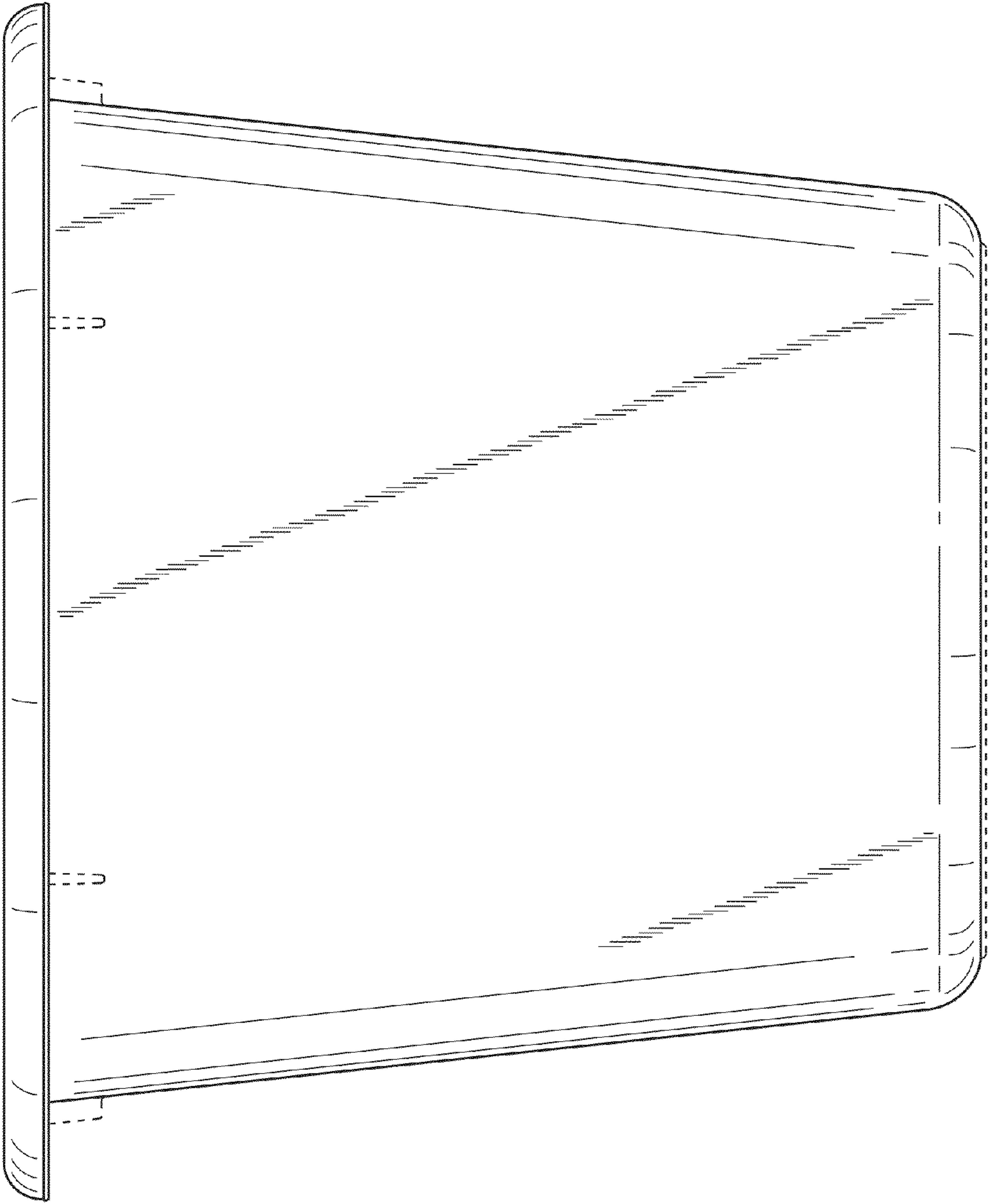


FIG. 4

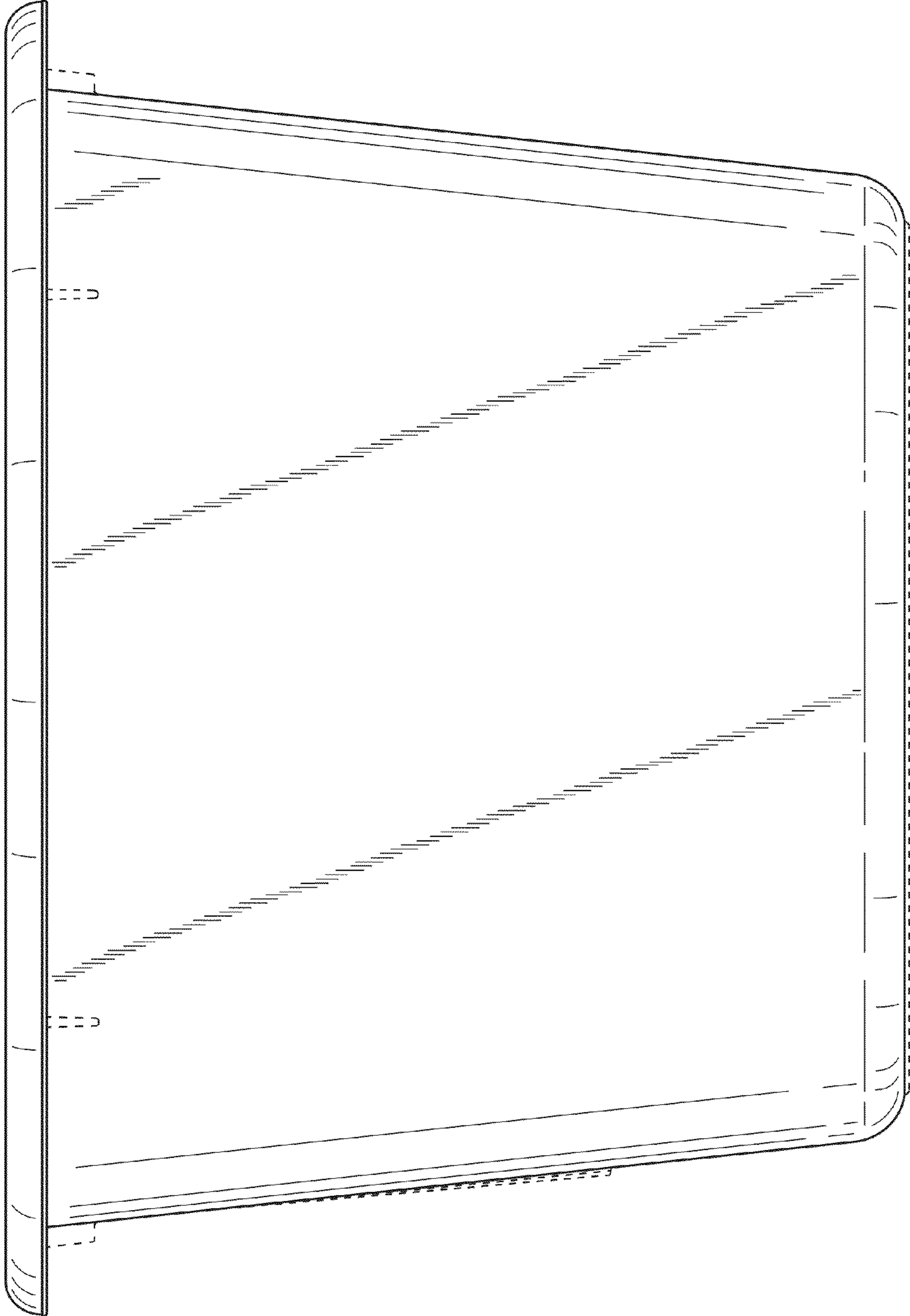


FIG. 5

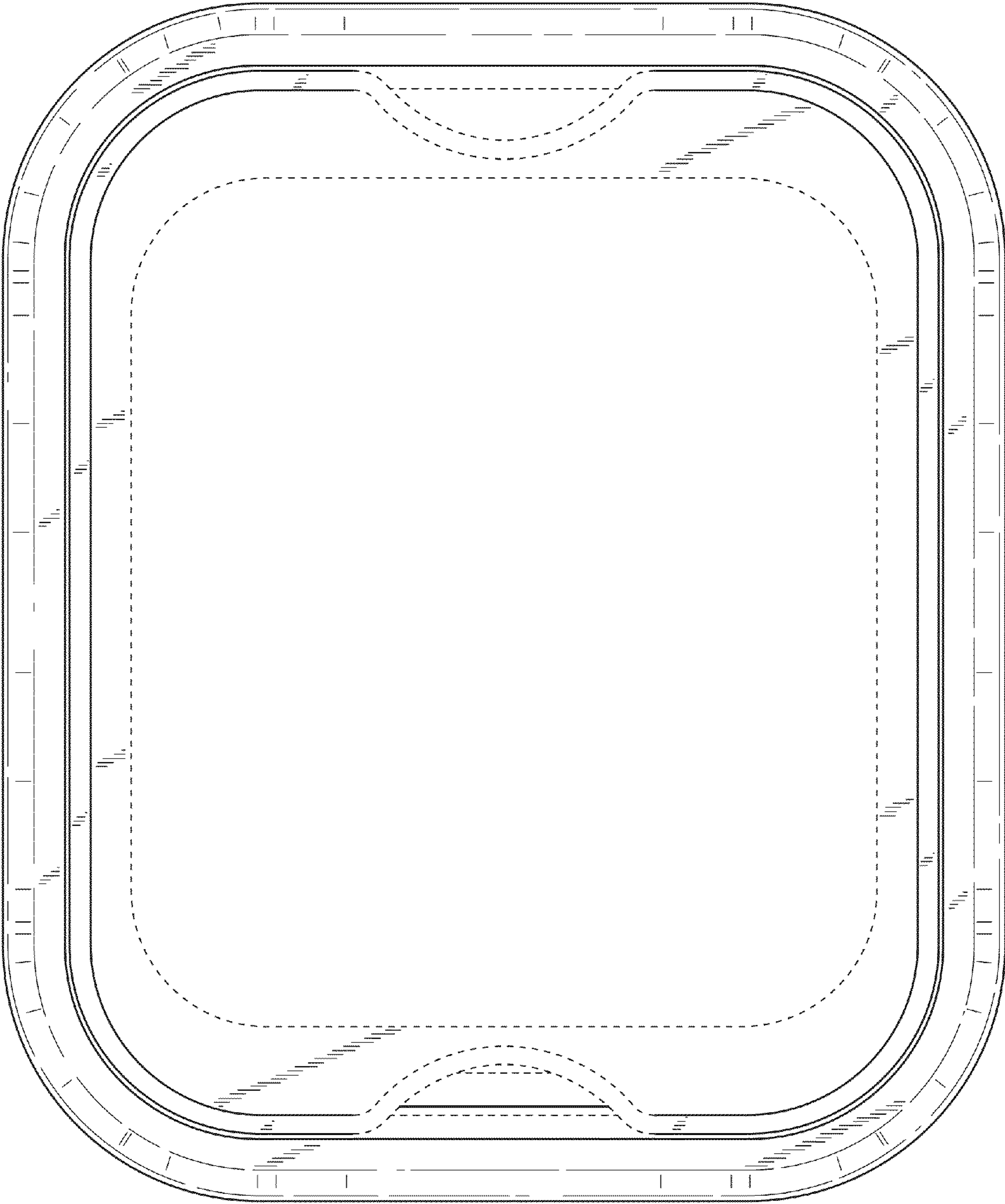


FIG. 6

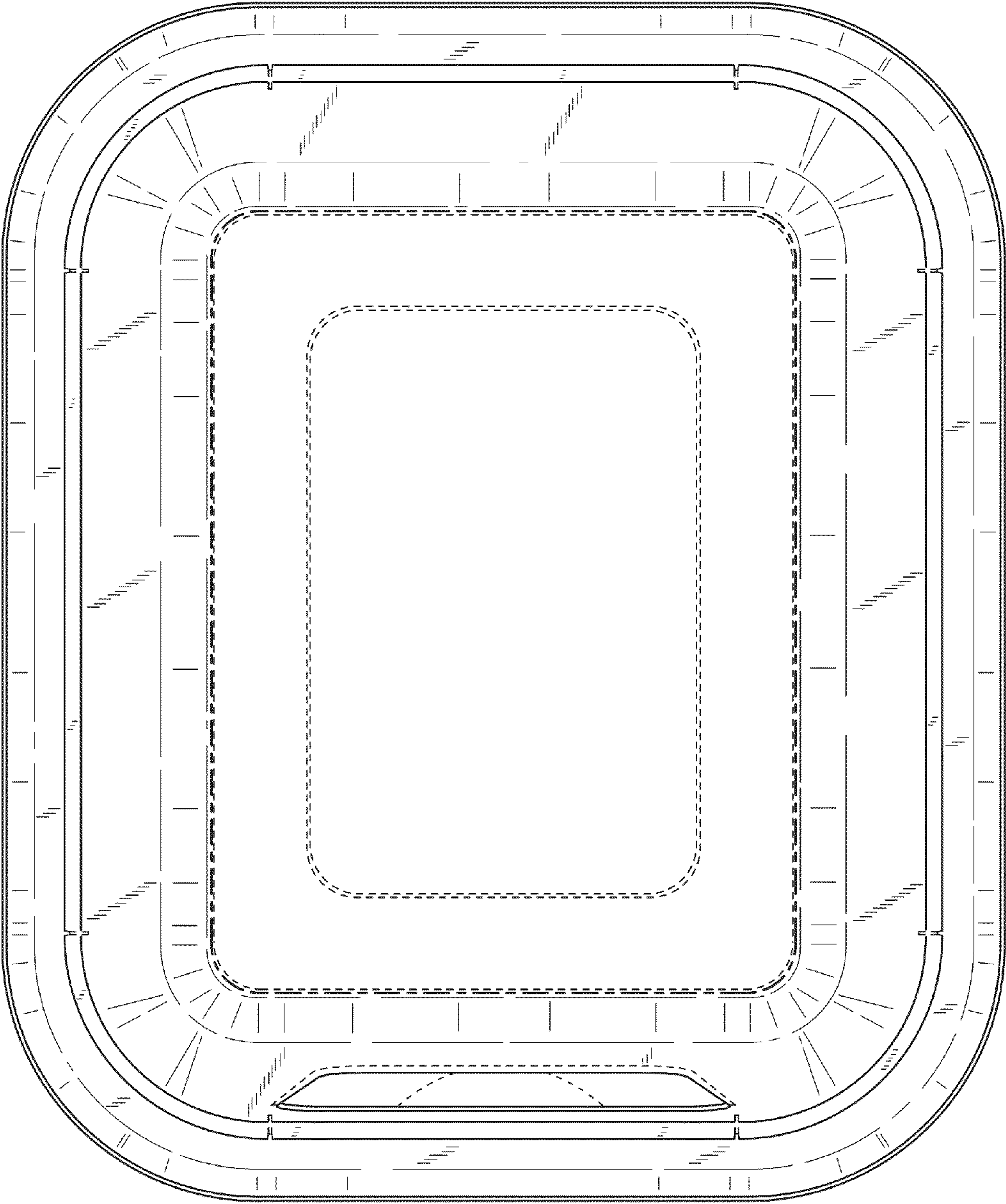


FIG. 7