

US00D699406S

(12) **United States Design Patent**
Stolte

(10) **Patent No.:** **US D699,406 S**

(45) **Date of Patent:** **** Feb. 11, 2014**

(54) **STRETCH LEASH**

(71) Applicant: **Bergan, LLC**, Monkey Island, OK (US)

(72) Inventor: **Todd E. Stolte**, Monkey Island, OK (US)

(73) Assignee: **Bergan, LLC**, Monkey Island, OK (US)

(**) Term: **14 Years**

(21) Appl. No.: **29/433,157**

(22) Filed: **Sep. 26, 2012**

(51) **LOC (10) Cl.** **30-04**

(52) **U.S. Cl.**
USPC **D30/153**

(58) **Field of Classification Search**

USPC 318/257; D30/154, 160, 151, 199, 153, D30/152; 119/707-712, 786-788, 791, 780, 119/782, 769-771, 792-799, 758, 760, 784, 119/802, 856, 857, 863, 865, 719, 859, 908, 119/776; D21/791, 840; D8/1, 14, 47; 248/121, 521, 545, 499, 145, 156, 508, 248/530, 125.1, 125.3, 125.8, 690; 211/205; 52/155, 166, 157, 162, 163; 135/118; 403/360, 378; 473/149, 147; D26/138; 362/401; 410/101; 405/259.1, 244; 182/3; 24/523, 525, 24/299, 594.11, DIG. 35, 3.2, 600.7, 905; D24/199; 54/71, 34; 267/113, 136, 34, 267/70-72; 16/66; 340/573.3, 668; 294/82.34, 19.1; 114/221 R; 441/75; 128/878, 882, DIG. 15; D29/120.1-120.2, 100, 101.1; D2/627, D2/624, 631

See application file for complete search history.

(56) **References Cited**

U.S. PATENT DOCUMENTS

2,600,563	A *	6/1952	Michnoff	24/3.6
2,737,154	A *	3/1956	Michonski	119/798
2,985,980	A *	5/1961	Broshous	42/94
3,193,235	A *	7/1965	Jensen	248/317
3,841,542	A *	10/1974	Hogensen, Jr.	224/586
3,848,270	A *	11/1974	Rand	2/311
4,015,762	A *	4/1977	Mendillo	294/149
4,019,463	A *	4/1977	Kitchen	119/793
D255,717	S *	7/1980	Levine	D24/190
4,273,130	A *	6/1981	Simpson	606/203
4,413,589	A *	11/1983	Bielen et al.	119/792
4,456,284	A *	6/1984	Saka	280/812
D274,557	S *	7/1984	Griffith, III	D24/211
D284,229	S *	6/1986	Forrest	D2/627
4,601,161	A *	7/1986	Drellich	54/46.1
D289,698	S *	5/1987	Bates	D30/142
4,763,609	A *	8/1988	Kulik	119/797
4,765,279	A *	8/1988	Klickstein	119/770

(Continued)

Primary Examiner — Susan Moon Lee

(74) *Attorney, Agent, or Firm* — Head, Johnson & Kachigian, P.C.

(57) **CLAIM**

The ornamental design for a stretch leash, as shown and described.

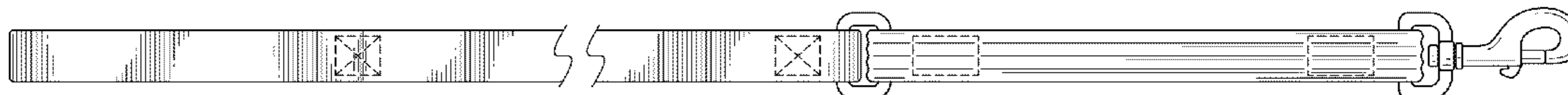
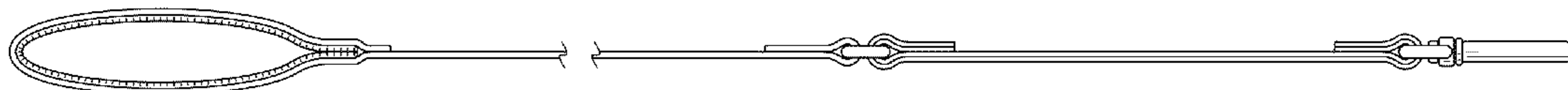
DESCRIPTION

FIG. 1 is a front view of the stretch leash; FIG. 2 is a bottom view of the stretch leash; FIG. 3 is a left side view of the stretch leash; FIG. 4 is a right side view of the stretch leash; FIG. 5 is a back view of the stretch leash; and, FIG. 6 is a top view of the stretch leash.

The broken lines represent stitching and form part of the claimed design.

The broken away showing in the middle portion of the stretch leash indicates that the appearance of any portion of the article between the break lines forms no part of the claimed design.

1 Claim, 2 Drawing Sheets



(56)

References Cited

U.S. PATENT DOCUMENTS

- 4,815,642 A * 3/1989 Ray 224/258
4,879,972 A * 11/1989 Crowe et al. 119/792
4,978,044 A * 12/1990 Silver 224/601
5,026,089 A * 6/1991 Grimmonpre 280/655
5,069,050 A * 12/1991 Chen 70/456 R
5,119,910 A * 6/1992 Heggeland 190/116
D329,744 S * 9/1992 Moore D3/328
5,174,483 A * 12/1992 Moore et al. 224/250
D332,350 S * 1/1993 Anderson D3/257
5,177,881 A * 1/1993 Moore 34/239
RE34,351 E * 8/1993 Lacey 119/776
5,261,728 A * 11/1993 Carmichael 297/482
D351,336 S * 10/1994 Dean et al. D8/394
5,353,538 A * 10/1994 Hakedal et al. 42/85
5,363,810 A * 11/1994 Kraus 119/795
D353,559 S * 12/1994 Fildan D11/212
5,402,557 A * 4/1995 Dalen 24/68 CD
D365,236 S * 12/1995 Stockwell D6/552
D366,149 S * 1/1996 Garza et al. D3/328
D367,949 S * 3/1996 Vallance D29/100
5,517,949 A * 5/1996 Harris et al. 119/795
5,551,379 A * 9/1996 Hart 119/771
5,632,234 A * 5/1997 Parker 119/795
5,649,504 A * 7/1997 Culp 119/795
D381,888 S * 8/1997 Gonda et al. D8/349
D382,219 S * 8/1997 Renfrew D10/109.1
D383,888 S * 9/1997 Smith D2/624
5,664,712 A * 9/1997 Smrt 224/250
D386,610 S * 11/1997 Wright D3/207
D390,961 S * 2/1998 Walker et al. D24/190
5,732,660 A * 3/1998 David et al. 119/792
5,732,661 A * 3/1998 Lagro 119/795
D398,080 S * 9/1998 Nealon D29/100
5,809,620 A * 9/1998 Crowley et al. 24/302
D401,137 S * 11/1998 Boelling D8/394
5,829,392 A * 11/1998 Coleman 119/795
5,839,394 A * 11/1998 Dickison 119/795
5,864,927 A * 2/1999 Liu 24/163 R
D407,867 S * 4/1999 Rubinstein D30/153
D408,103 S * 4/1999 Snedeker D30/153
5,915,336 A * 6/1999 Watson 119/797
5,950,571 A * 9/1999 Schade 119/859
5,951,048 A * 9/1999 Slaughter 280/814
D417,318 S * 11/1999 Lyons D30/153
D420,514 S * 2/2000 Morlet D3/327
D424,762 S * 5/2000 Nasser D30/153
D440,144 S * 4/2001 Todd D8/354
D443,117 S * 5/2001 Rubin D30/153
6,223,694 B1 * 5/2001 Rubin 119/795
D449,136 S * 10/2001 Vallance D29/124
D453,366 S * 2/2002 French D21/774
D454,416 S * 3/2002 Kaplan D30/153
6,360,747 B1 * 3/2002 Velarde et al. 128/869
6,367,428 B1 * 4/2002 Forte 119/863
6,450,129 B1 * 9/2002 Flynn 119/770
D471,006 S * 3/2003 French D3/221
D475,231 S * 6/2003 Briles D6/546
6,637,077 B2 * 10/2003 Doty 24/302
D484,283 S * 12/2003 Lam D30/153
D506,709 S * 6/2005 Choi D12/133
D509,065 S * 9/2005 Koenig D3/327
D512,910 S * 12/2005 Haslam D9/434
6,971,334 B1 * 12/2005 Livesay et al. 119/798
6,990,929 B2 * 1/2006 Young, III 119/798
D516,756 S * 3/2006 Curtis D30/153
7,020,933 B2 * 4/2006 Chang 24/68 CD
D519,730 S * 5/2006 de Guillebon D3/215
D523,188 S * 6/2006 Lord D30/152
D523,238 S * 6/2006 Miyamoto et al. D3/218
D530,046 S * 10/2006 Lord D30/152
D530,095 S * 10/2006 Herzberg D3/327
D535,790 S * 1/2007 Curtis D30/153
D541,043 S * 4/2007 Paradise D3/221
D541,190 S * 4/2007 Plzak D11/200
D542,372 S * 5/2007 Strickland D22/134
D554,977 S * 11/2007 Ravoy, Jr. D8/354
D556,330 S * 11/2007 Auerbach et al. D24/190
D573,381 S * 7/2008 Pinholster et al. D6/505
7,418,926 B2 * 9/2008 Kung 119/798
D578,733 S * 10/2008 Samuels et al. D2/706
7,516,591 B2 * 4/2009 Wolner et al. 52/698
D600,003 S * 9/2009 Kahng D3/10
D607,154 S * 12/2009 Jager D29/101.1
7,640,895 B2 * 1/2010 Fountoulakis et al. 119/795
D609,410 S * 2/2010 Labelson et al. D30/153
7,743,735 B2 * 6/2010 Weinberg 119/795
D640,017 S * 6/2011 Mendelson D30/153
D640,425 S * 6/2011 Reed D30/152
D643,580 S * 8/2011 Evans D30/153
D646,895 S * 10/2011 Nolan et al. D3/327
8,047,554 B2 * 11/2011 Burns 280/47.18
D654,231 S * 2/2012 Clayton D30/153
D655,090 S * 3/2012 Puckett et al. D3/327
D659,057 S * 5/2012 Patton et al. D12/133
8,182,182 B2 * 5/2012 Tardif et al. 410/100
D664,890 S * 8/2012 Featherston D11/201
D665,963 S * 8/2012 Liljedahl D34/28
D669,233 S * 10/2012 Ranstead D30/153
D675,023 S * 1/2013 Colgan D3/327
D682,070 S * 5/2013 Rothbaum et al. D8/356
8,448,608 B2 * 5/2013 Mucerino et al. 119/797
8,458,864 B1 * 6/2013 Patton et al. 24/306
2001/0047607 A1 * 12/2001 Harvanek 43/21.2
2002/0023595 A1 * 2/2002 Kaufman 119/797
2003/0093884 A1 * 5/2003 Doty 24/302
2004/0112303 A1 * 6/2004 Moulton, III 119/795
2004/0194733 A1 * 10/2004 Bremm 119/770
2005/0000470 A1 * 1/2005 Fountoulakis 119/769
2005/0081798 A1 * 4/2005 Munroe 119/795
2006/0236955 A1 * 10/2006 Lord 119/794
2007/0022974 A1 * 2/2007 Aebi 119/795
2007/0074676 A1 * 4/2007 Van Sickle 119/795
2008/0110002 A1 * 5/2008 Calkin et al. 24/68 CD
2008/0164157 A1 * 7/2008 Sween et al. 206/216
2012/0085609 A1 * 4/2012 Ostrow et al. 190/18 A
2012/0167833 A1 * 7/2012 Clayton 119/795

* cited by examiner

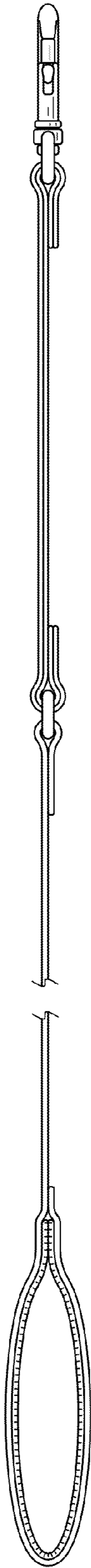


FIG. 1

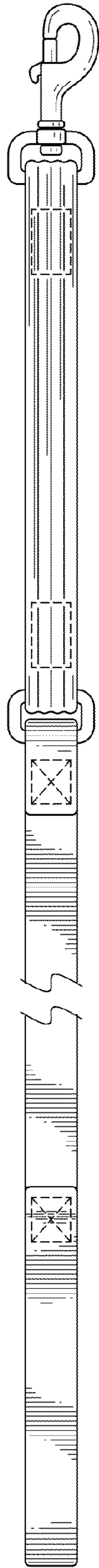


FIG. 2

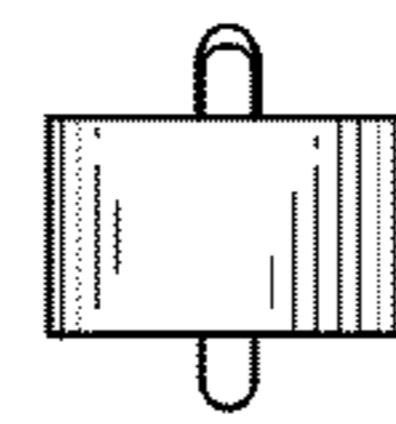


FIG. 3

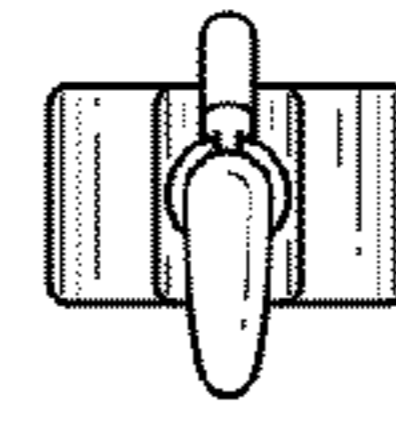


FIG. 4

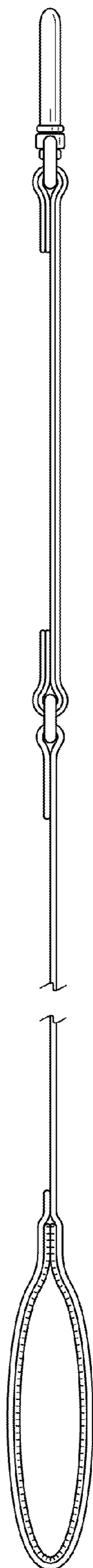


FIG. 5

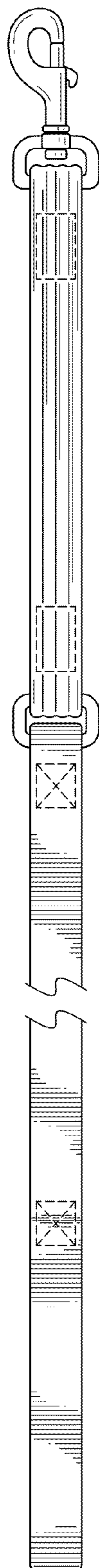


FIG. 6