

US00D699403S

(12) **United States Design Patent**  
**Holterhaus et al.**

(10) **Patent No.:** **US D699,403 S**  
(45) **Date of Patent:** **\*\* Feb. 11, 2014**

(54) **PET COSTUME**

&creative=394997&creativeASIN=B003ILGQJ2&linkCode=asn,  
available at least as early as Dec. 29, 2011 (3 pages).

(71) Applicant: **Target Brands, Inc.**, Minneapolis, MN  
(US)

(Continued)

(72) Inventors: **Jill Holterhaus**, New Brighton, MN  
(US); **Elyse Sikora**, Minneapolis, MN  
(US); **Jeremy Berghoff**, Chaska, MN  
(US); **Claire Lorman**, Minneapolis, MN  
(US)

*Primary Examiner* — Caron D Veynar

*Assistant Examiner* — Martie K Holtje

(74) *Attorney, Agent, or Firm* — Griffiths & Seaton PLLC;  
JoAnn M. Seaton

(73) Assignee: **Target Brands, Inc.**, Minneapolis, MN  
(US)

(57) **CLAIM**

The ornamental design for a pet costume, as shown and  
described.

(\*\*) Term: **14 Years**

**DESCRIPTION**

(21) Appl. No.: **29/459,664**

FIG. 1 is a front, perspective view of a pet costume showing  
our new design;

(22) Filed: **Jul. 2, 2013**

FIG. 2 is a front view thereof;

(51) **LOC (10) Cl.** ..... **30-01**

FIG. 3 is a front view thereof with a dog portion of the  
environmental subject matter removed for clarity;

(52) **U.S. Cl.**

USPC ..... **D30/145**; D30/152

FIG. 4 is a rear view thereof;

(58) **Field of Classification Search**

USPC ..... D3/201, 211, 214, 215, 216, 217, 270,  
D3/271.3, 271.4; D30/144, 145, 146, 151,  
D30/152, 153, 160, 199; D21/631, 633,  
D21/639, 645, 648, 649, 586; 119/850, 856,  
119/863, 865, 174, 907; 446/153, 129, 298,  
446/299, 353; 607/112

FIG. 5 is a right side view thereof;

FIG. 6 is a left side view thereof; and

FIG. 7 is a top view thereof.

See application file for complete search history.

FIG. 8 is a front, perspective view of the pet costume of FIG.  
1 with additional environmental subject matter illustrated in  
broken lines;

FIG. 9 is a front view thereof;

FIG. 10 is a front view thereof with a dog portion of the  
environmental subject matter removed for clarity;

FIG. 11 is a rear view thereof;

FIG. 12 is a right side view thereof;

FIG. 13 is a left side view thereof; and,

FIG. 14 is a top view thereof.

The features shown in broken lines are portions of the pet  
costume or environmental subject matter to the pet costume  
forming no part of the claimed design. The features shown in  
long dash-short dash bolded broken lines indicate the bounds  
of the claimed design and otherwise form no part of the  
claimed design. Bottom surfaces of the pet costume are not  
claimed, and therefore, the bottom views are omitted from  
this application.

(56) **References Cited**

**U.S. PATENT DOCUMENTS**

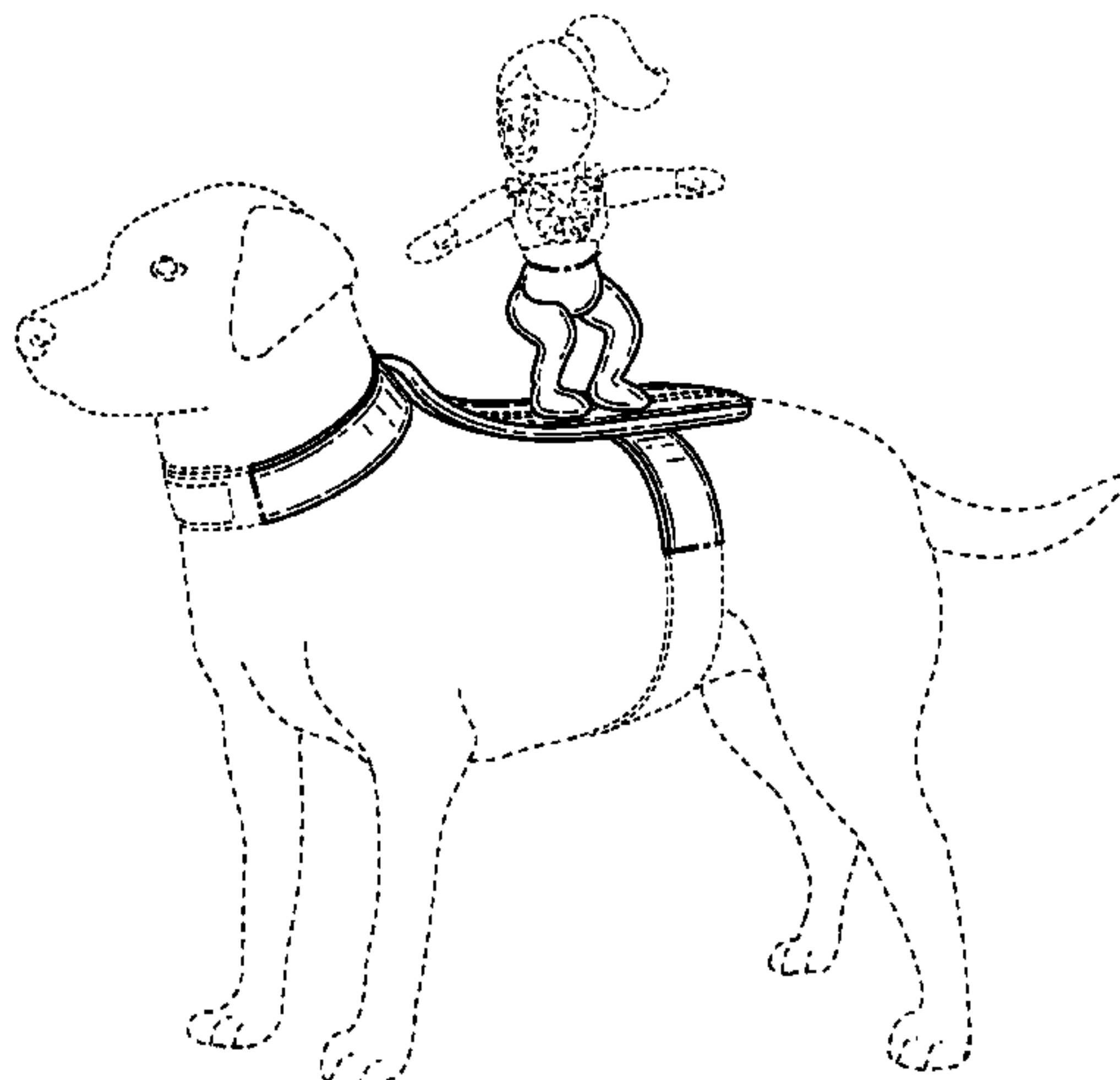
D289,311 S \* 4/1987 Kuo ..... D21/639  
D298,345 S \* 11/1988 Ko ..... D21/586  
4,824,416 A \* 4/1989 Chun-Hoi et al. .... 446/298

(Continued)

**OTHER PUBLICATIONS**

“Caveman Pterodactyl Pet Rider,” [www.amazon.com/dp/B003ILGQJ2/ref=asc\\_df\\_B003ILGQJ2214131...om92707-20](http://www.amazon.com/dp/B003ILGQJ2/ref=asc_df_B003ILGQJ2214131...om92707-20)

**1 Claim, 10 Drawing Sheets**



(56)

References Cited

U.S. PATENT DOCUMENTS

D307,980 S \* 5/1990 Walters ..... D3/211  
 D331,268 S \* 11/1992 Thurston et al. .... D21/645  
 D361,174 S 8/1995 Karlen  
 D363,572 S 10/1995 Obenchain  
 D373,228 S 8/1996 Brown  
 5,632,235 A 5/1997 Larsen et al.  
 D383,255 S 9/1997 Caditz  
 D404,852 S 1/1999 Powell-Lesnick  
 6,119,635 A 9/2000 Powell-Lesnick  
 6,267,083 B1 7/2001 Chimienti  
 D453,594 S 2/2002 Ishihara  
 D455,873 S \* 4/2002 Constans ..... D30/145  
 D457,276 S 5/2002 Lidis  
 D457,988 S \* 5/2002 Kerrigan ..... D30/145  
 6,443,101 B1 9/2002 Fazio  
 6,477,988 B2 11/2002 Burnett  
 D479,896 S 9/2003 Wilson  
 6,662,755 B2 \* 12/2003 Kato ..... 119/856  
 6,694,925 B2 2/2004 Critzer  
 6,887,121 B2 \* 5/2005 Whitehead ..... 446/129  
 D561,410 S 2/2008 Katz  
 7,458,339 B1 12/2008 Peirano  
 D633,257 S \* 2/2011 Trias ..... D30/145  
 7,918,192 B1 4/2011 Digh et al.  
 D653,409 S \* 1/2012 Elliott ..... D30/152  
 D653,410 S 1/2012 Morton  
 D653,411 S \* 1/2012 Elliott ..... D30/152  
 8,291,867 B2 10/2012 Blizzard  
 D673,738 S 1/2013 Lanzendorf

2006/0090711 A1\* 5/2006 Richards ..... 119/850  
 2008/0121192 A1\* 5/2008 Moy ..... 119/850  
 2009/0120377 A1 5/2009 Palmer  
 2009/0292343 A1\* 11/2009 Sternlight ..... 607/112  
 2010/0319632 A1 12/2010 Blizzard  
 2013/0014705 A1 1/2013 Cho et al.  
 2013/0042820 A1 2/2013 Blizzard

OTHER PUBLICATIONS

“Ride On Headless Horseman Dog Costume,” <http://www.partycity.com/product/dog+headless+horseman+harness.do>, available at least as early as Dec. 29, 2011 (2 pages).  
 “Dog Riders Jockey Dog Harness,” [www.costumediscounters.com/pet-costumes-mascots/dog-cos...=1487603957](http://www.costumediscounters.com/pet-costumes-mascots/dog-cos...=1487603957) &%22cagpspn=pla%22&gclid=CP-OvtTK77ECFq7QodG2wALQ, available at least as early as Dec. 29, 2011 (3 pages).  
 “Dog Riders Mailman Dog Harness,” [www.wholesalecostumeclub.com/accessories-and-makeup/pet-...AWELAID=764902445](http://www.wholesalecostumeclub.com/accessories-and-makeup/pet-...AWELAID=764902445) &cagpspn=pla&gclid=CKjXuu3K77ECFQP0nAod6REAJA, available at least as early as Dec. 29, 2011 (2 pages).  
 “Monkey Dog Rider Pet,” [www.oyacostumes.com/en/Monkey-Dog-Rider-Pet](http://www.oyacostumes.com/en/Monkey-Dog-Rider-Pet), available at least as early as Dec. 29, 2011 (1 page).  
 “Dog Harness Rider Goblin Orc Pet Halloween Costume,” [www.buy.com/prod/dog-harness-rider-goblin-orc-pet-halloween-costume/217292231.html](http://www.buy.com/prod/dog-harness-rider-goblin-orc-pet-halloween-costume/217292231.html) available at least as early as Dec. 29, 2011 (2 pages).  
 Photograph of Alaskan Hoodie Dog Costume, (1 page).  
 U.S. Appl. No. 29/430,417, filed Aug. 24, 2012 (8 pages).  
 U.S. Appl. No. 29/430,415, filed Aug. 24, 2012 (8 pages).

\* cited by examiner

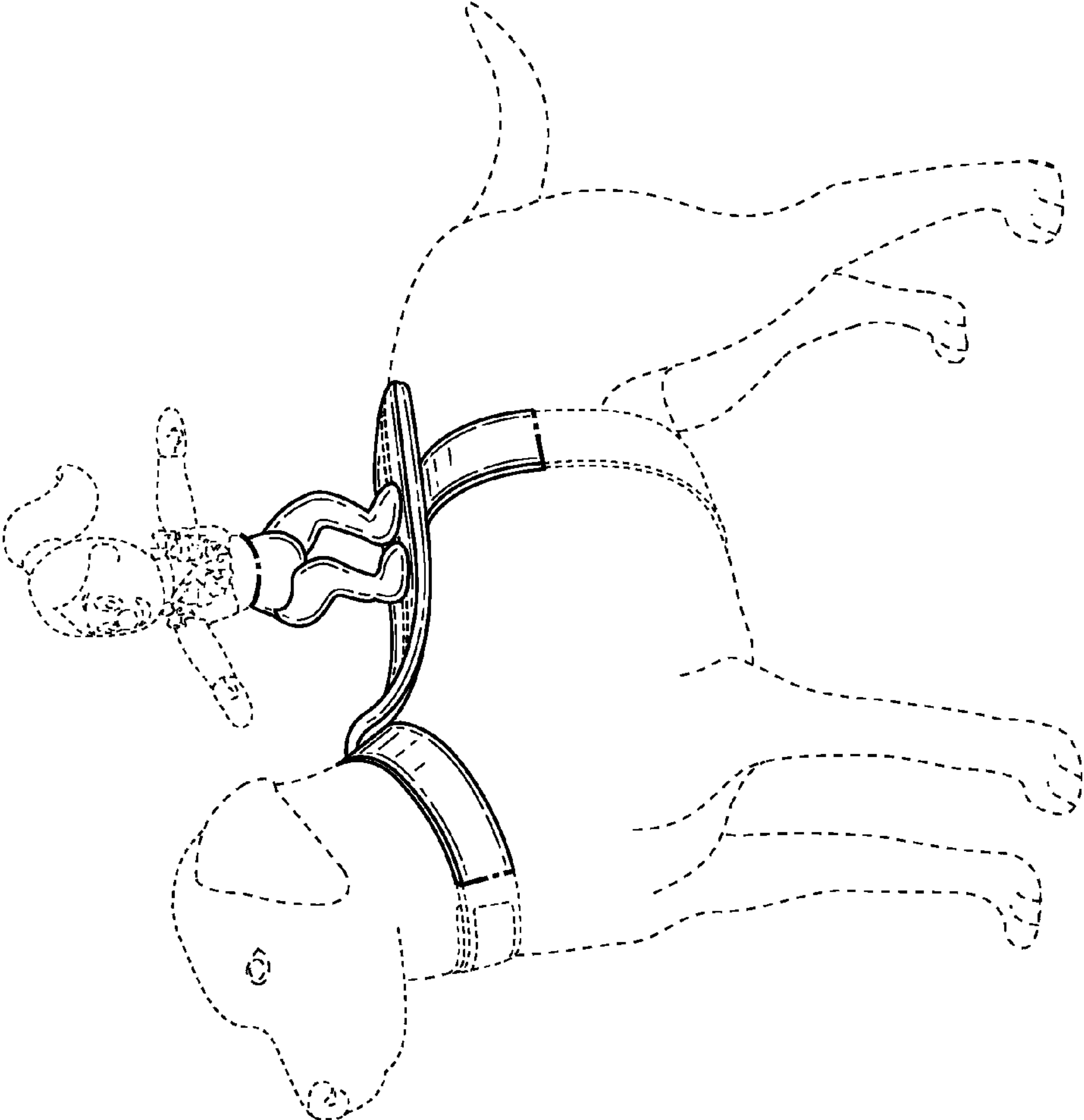


FIG. 1

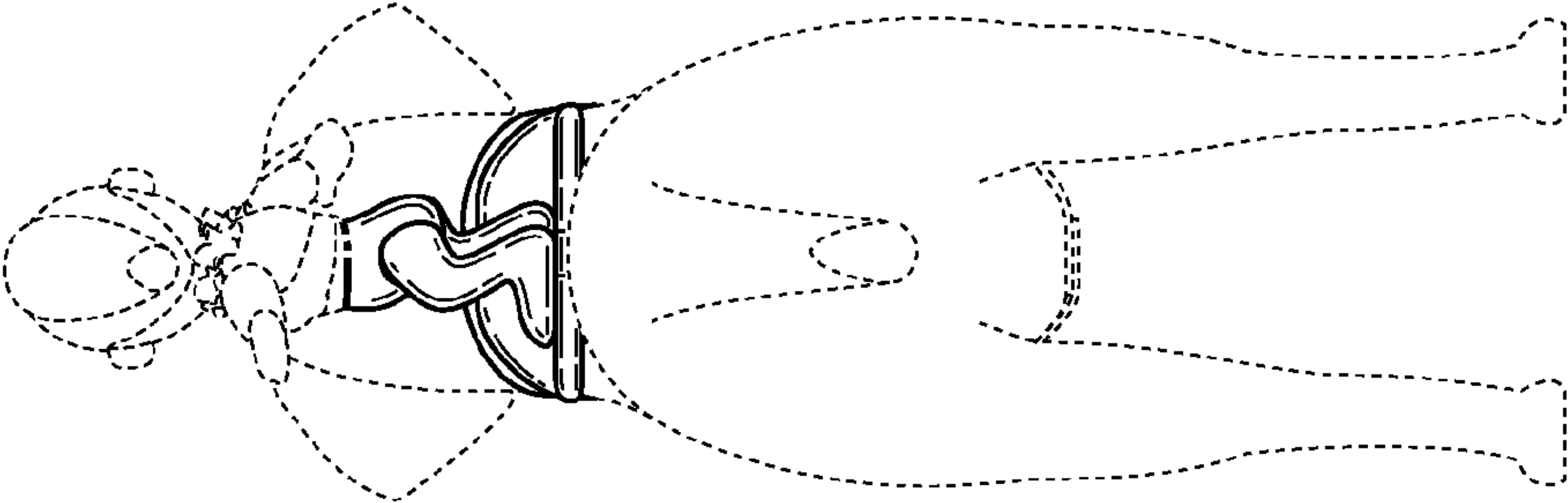


FIG. 4

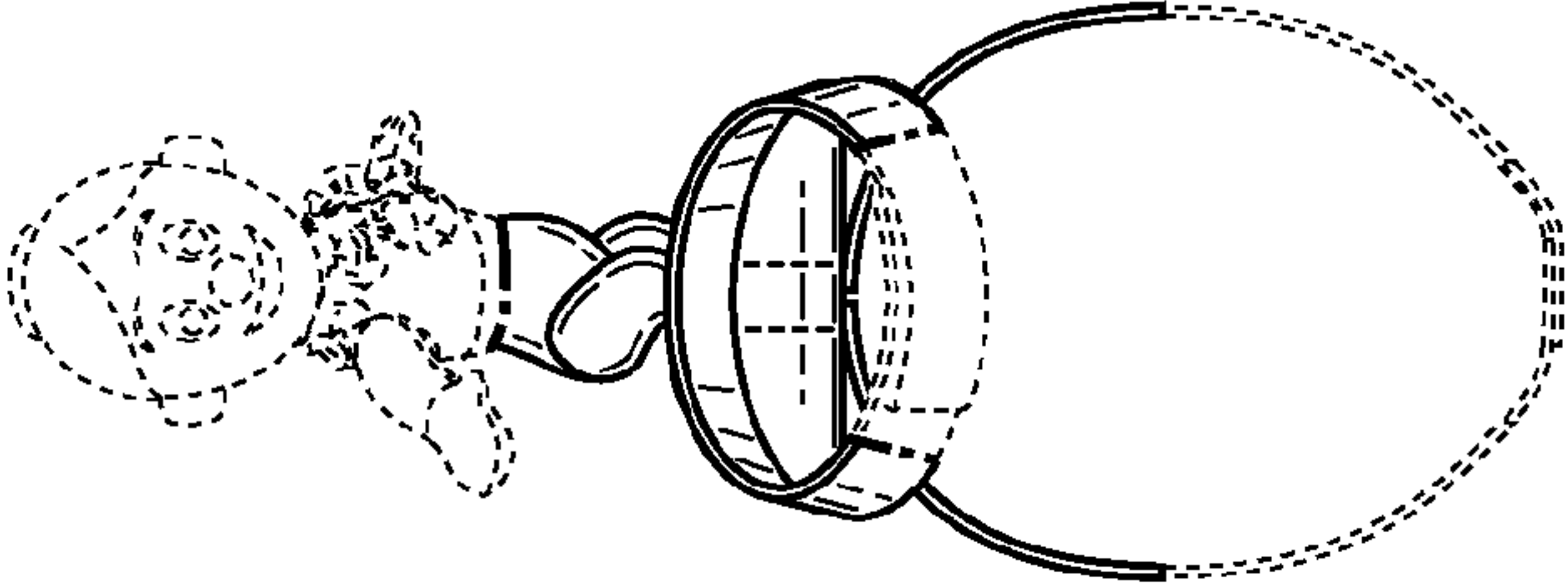


FIG. 3

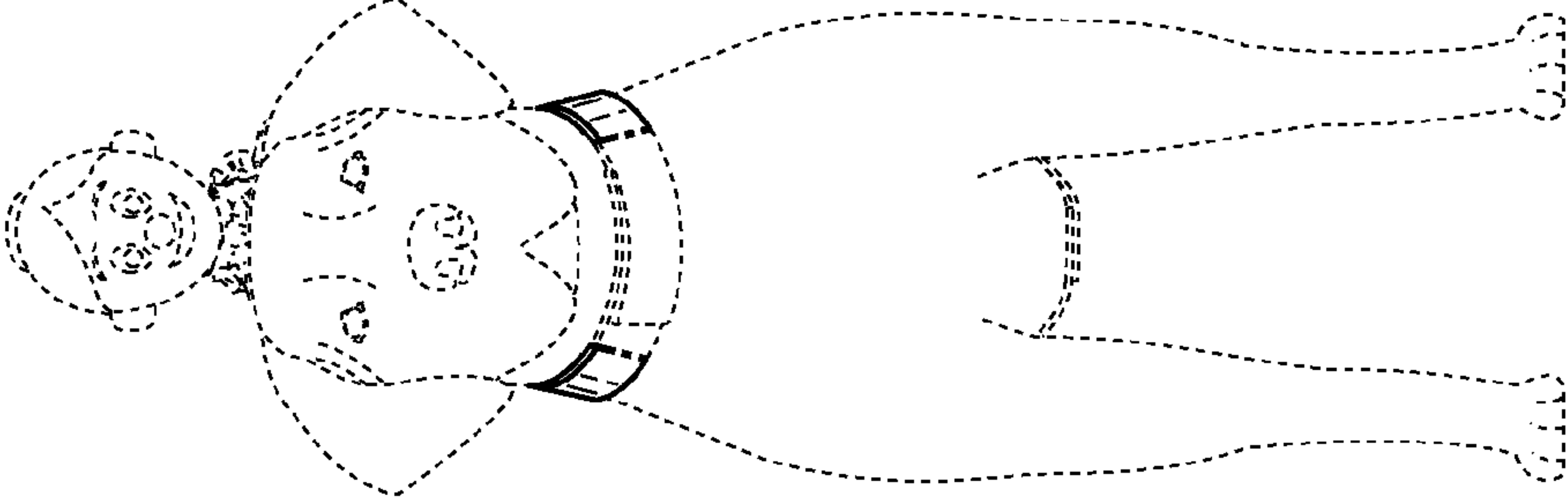


FIG. 2

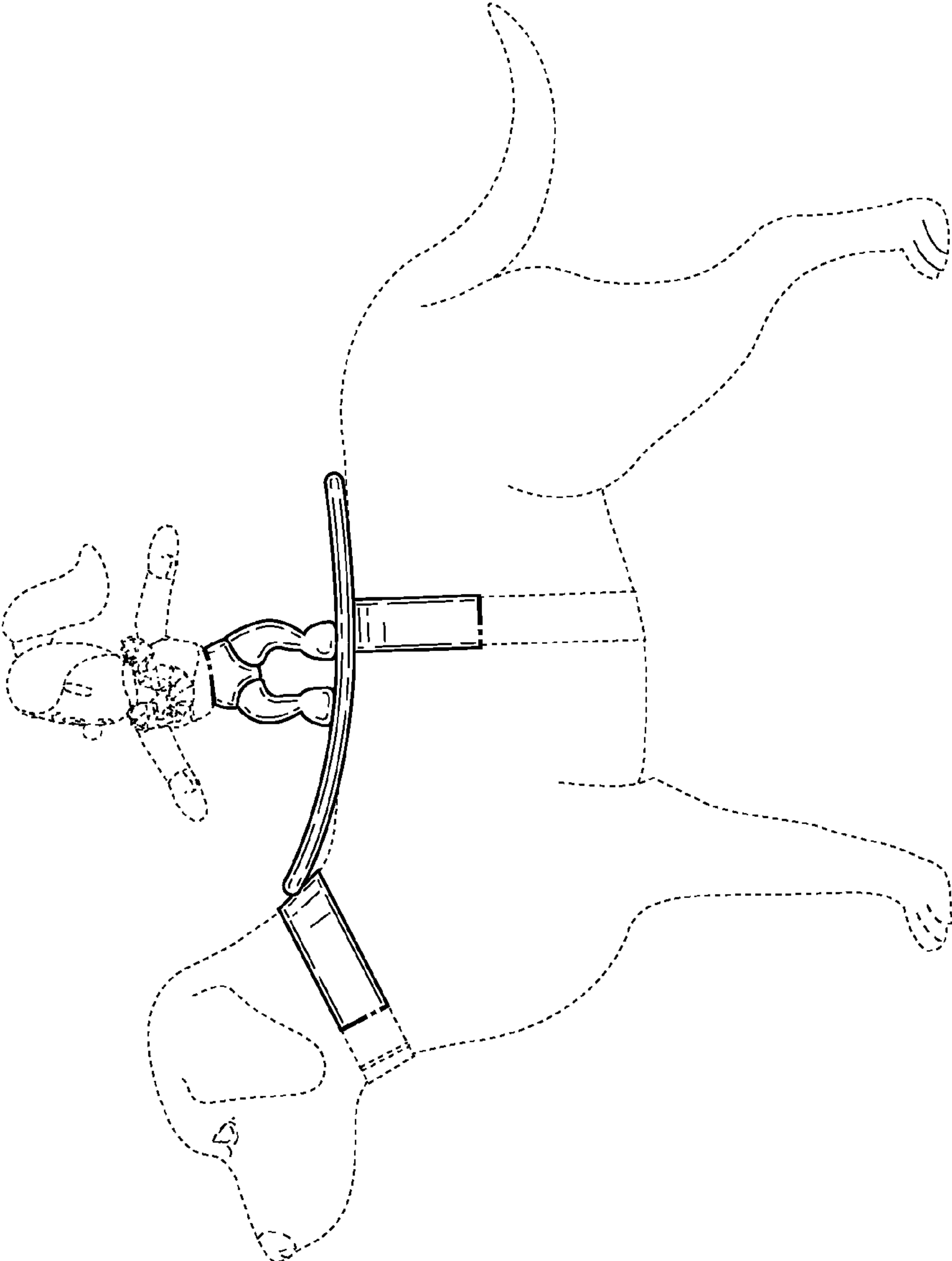


FIG. 5



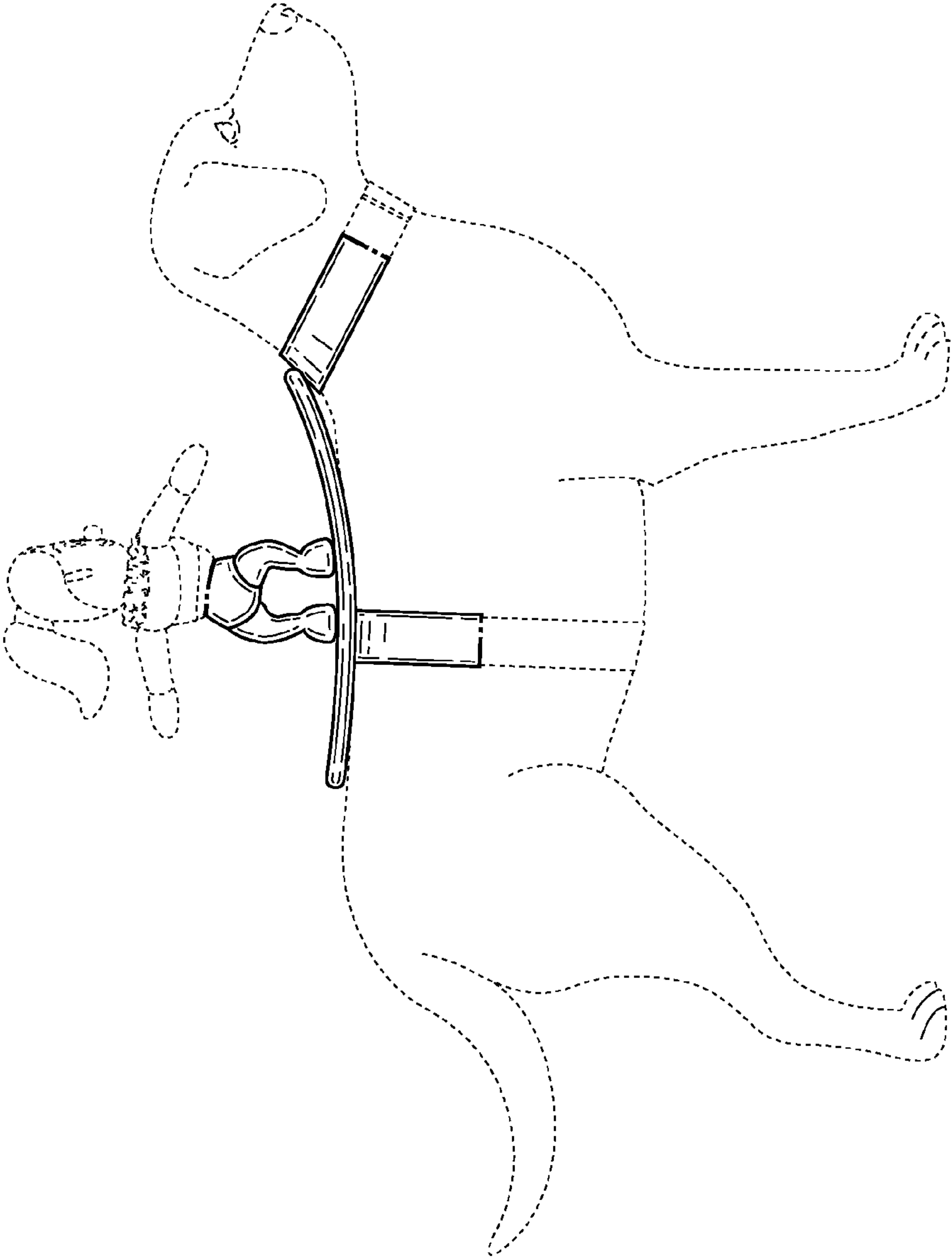


FIG. 6

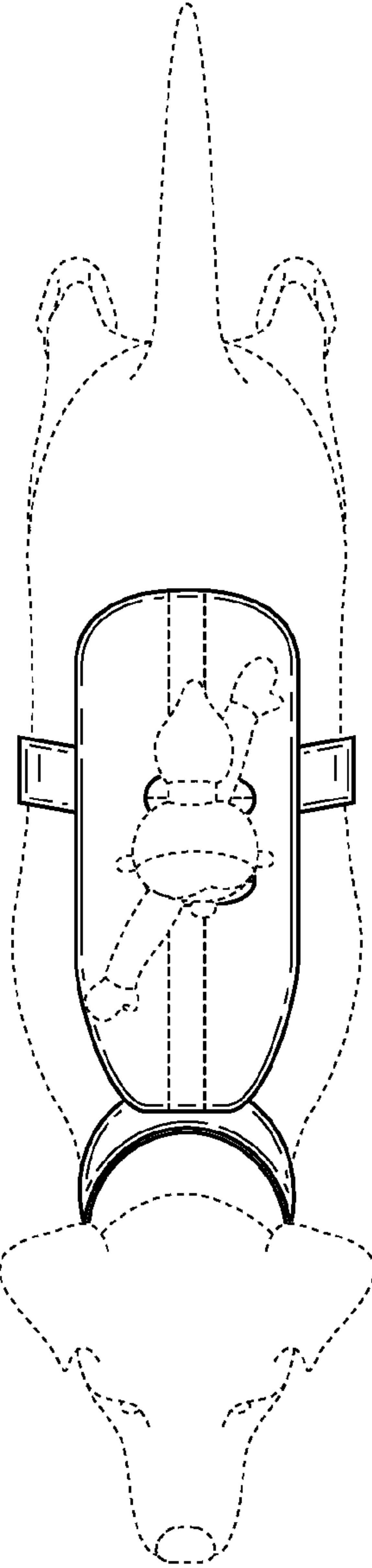


FIG. 7

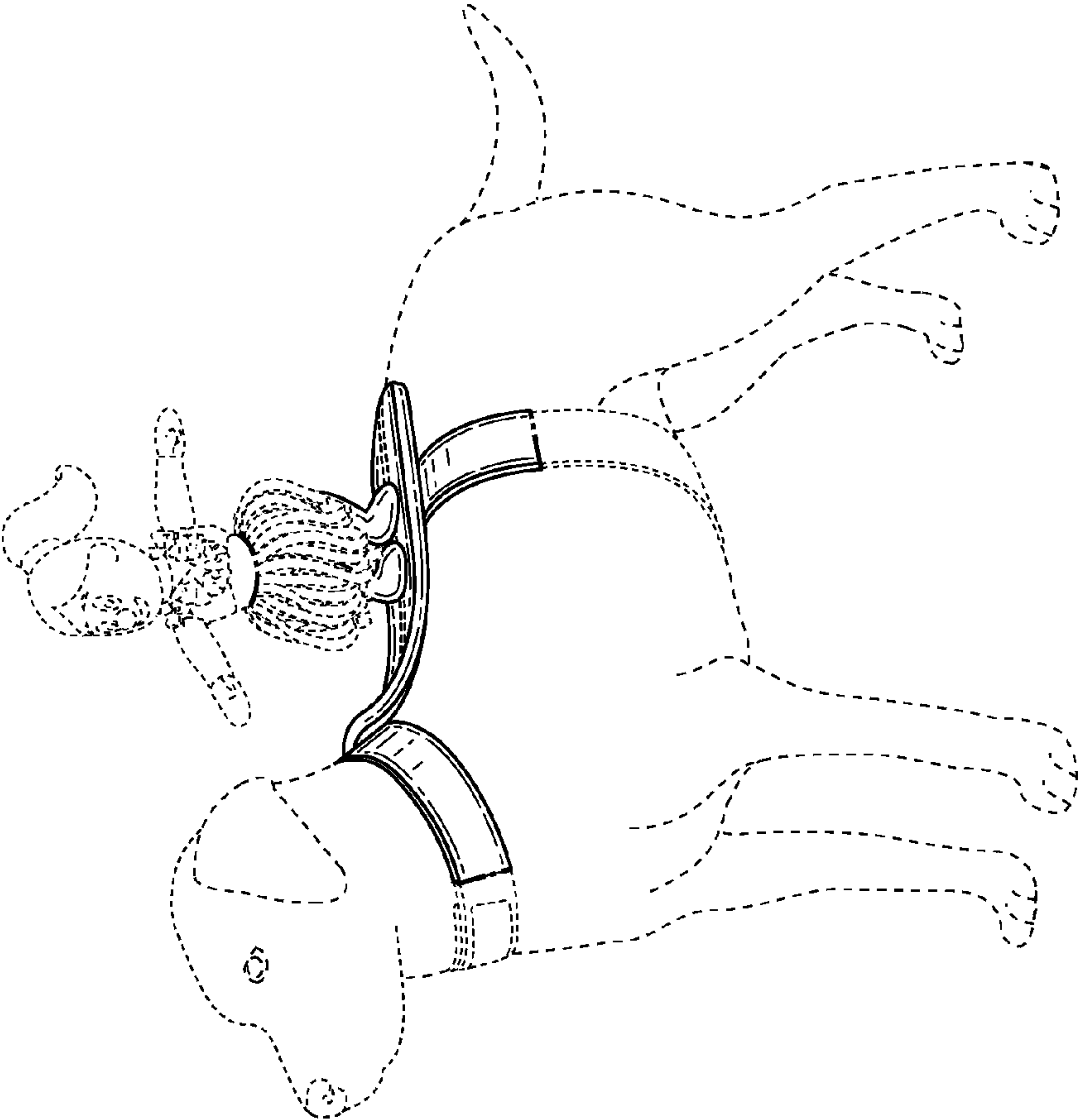


FIG. 8



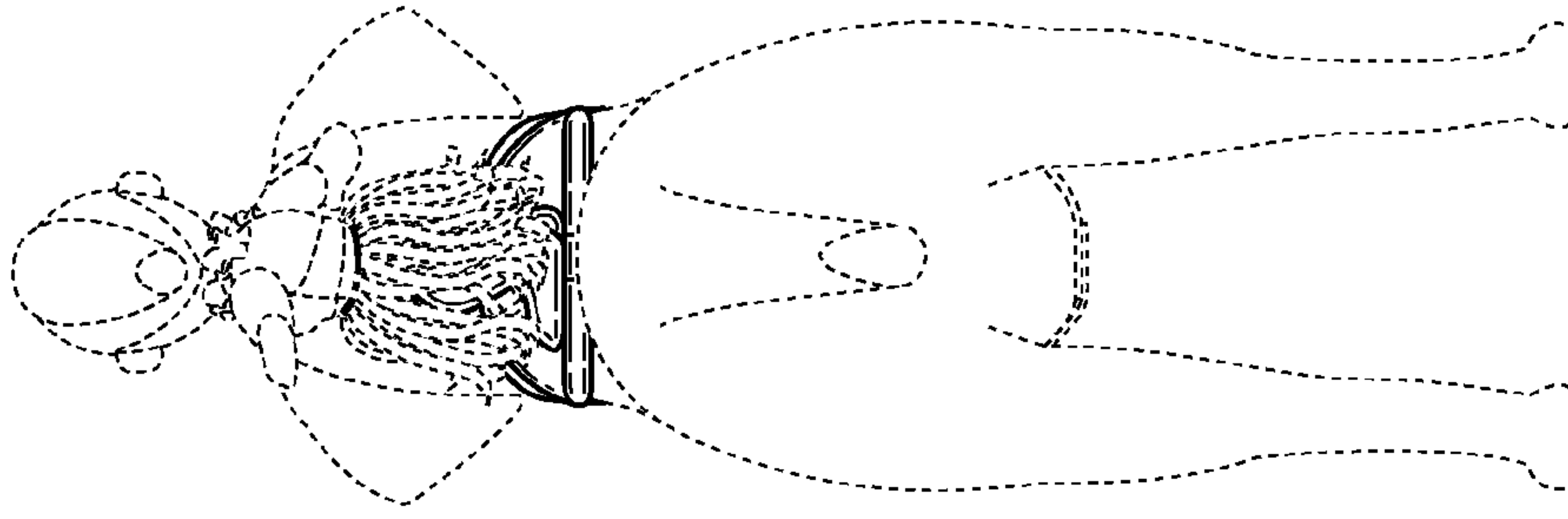


FIG. 11

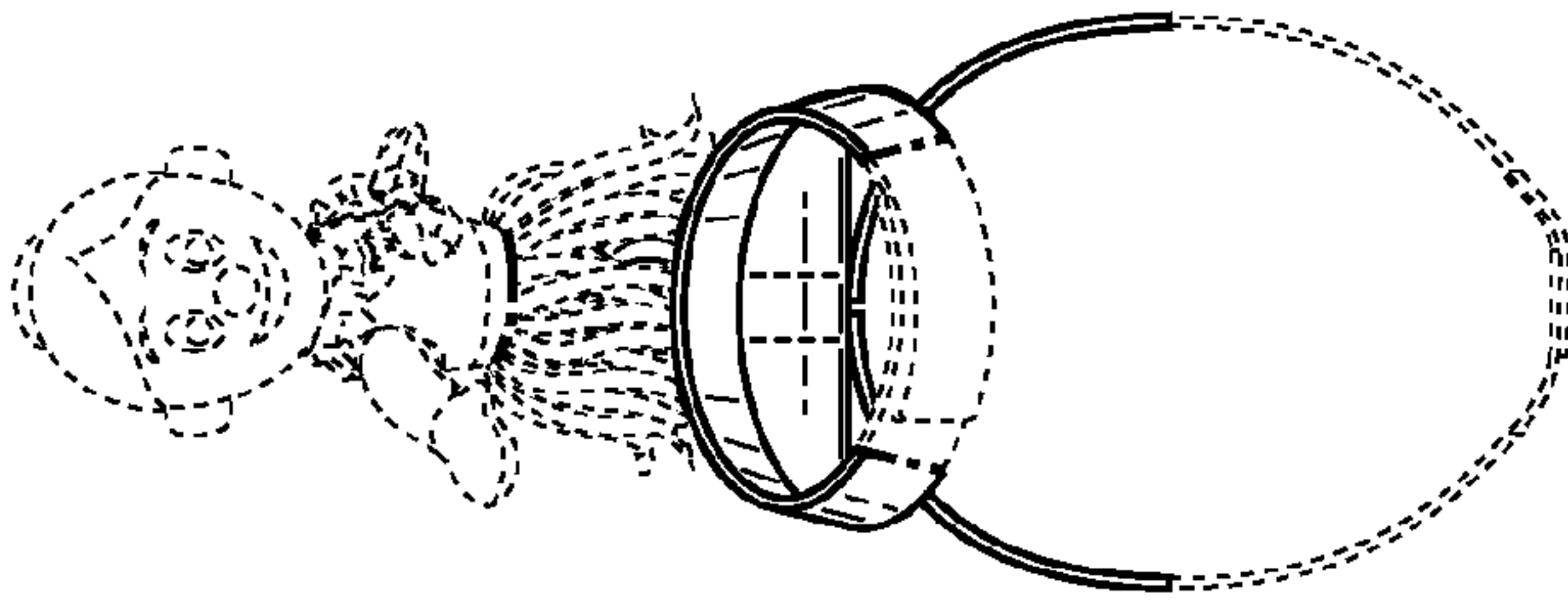


FIG. 10

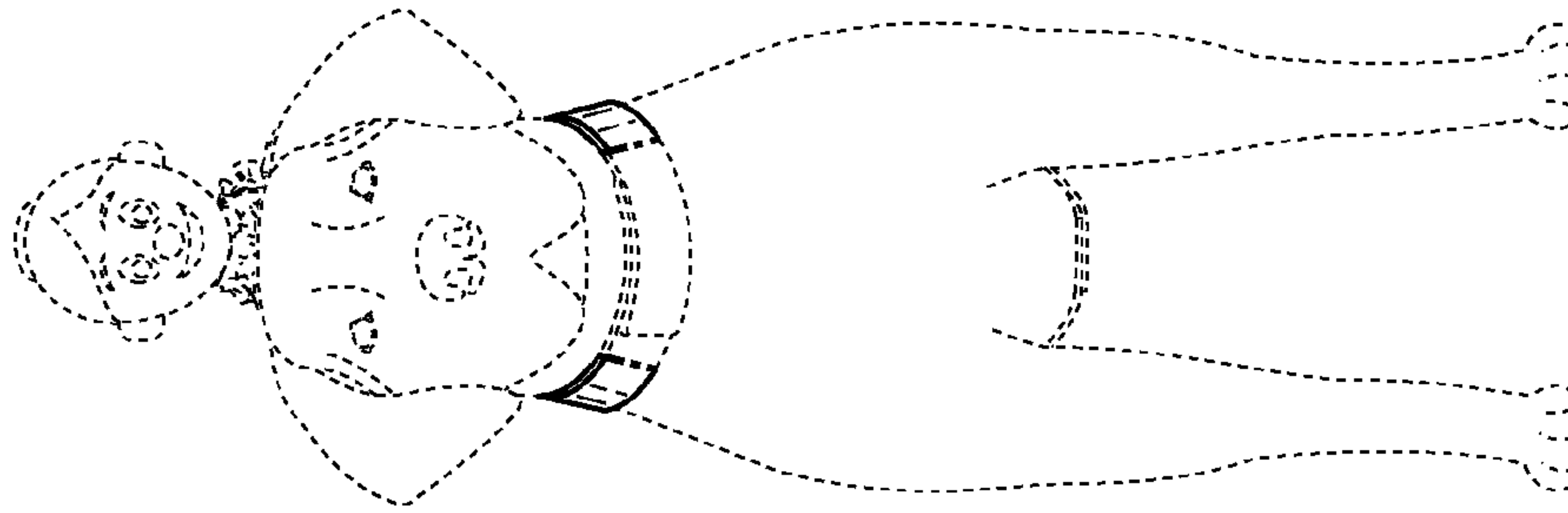


FIG. 9

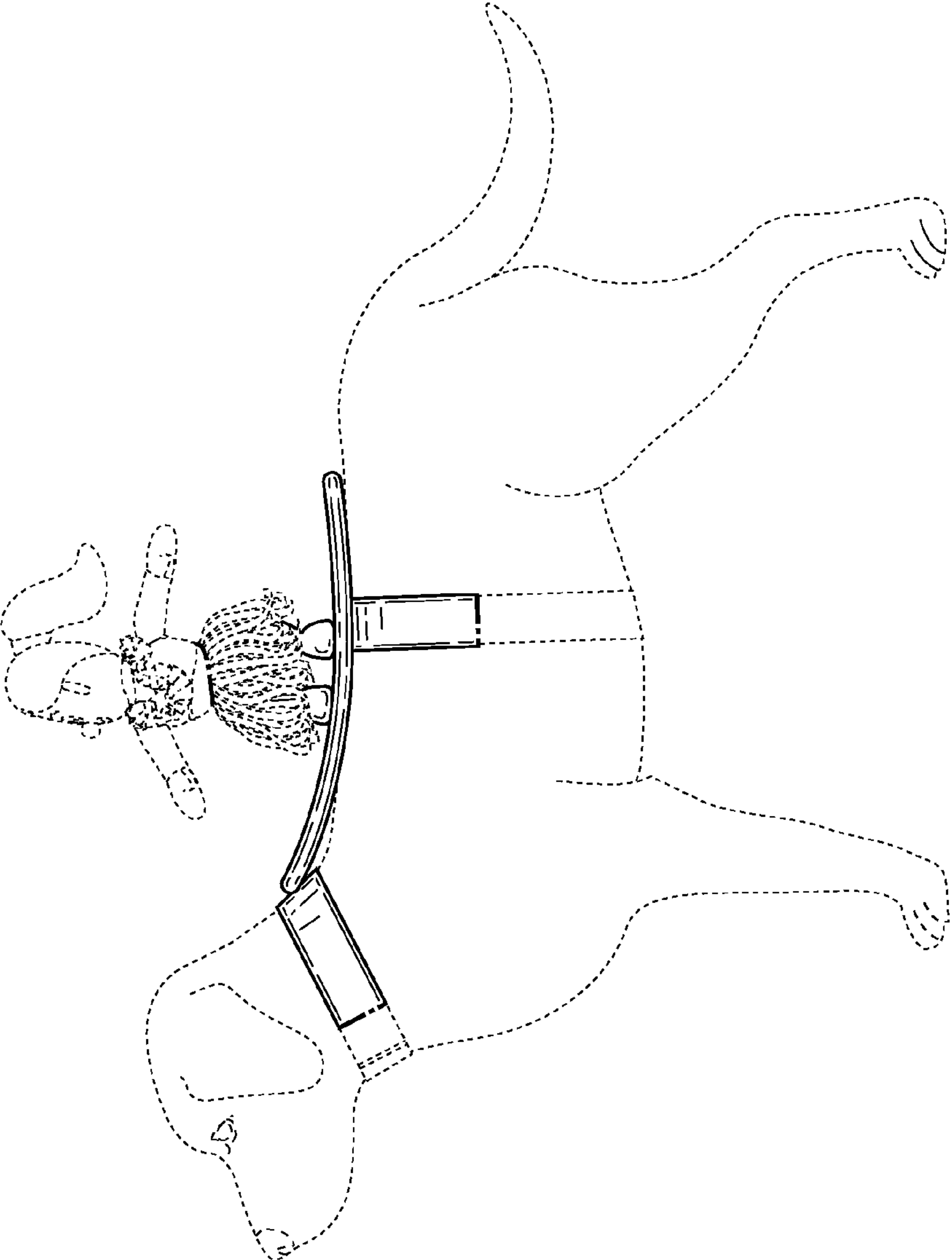


FIG. 12

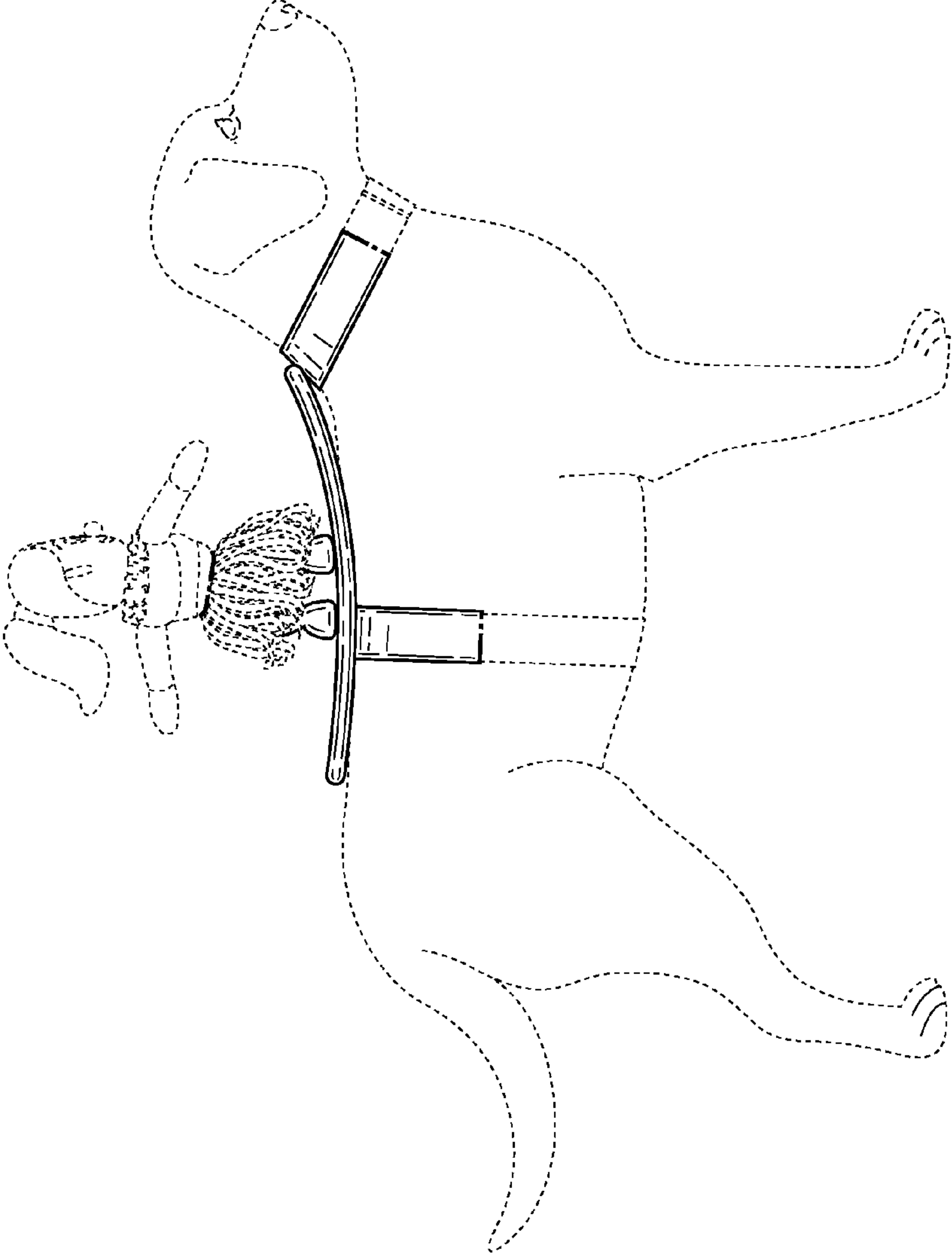


FIG. 13

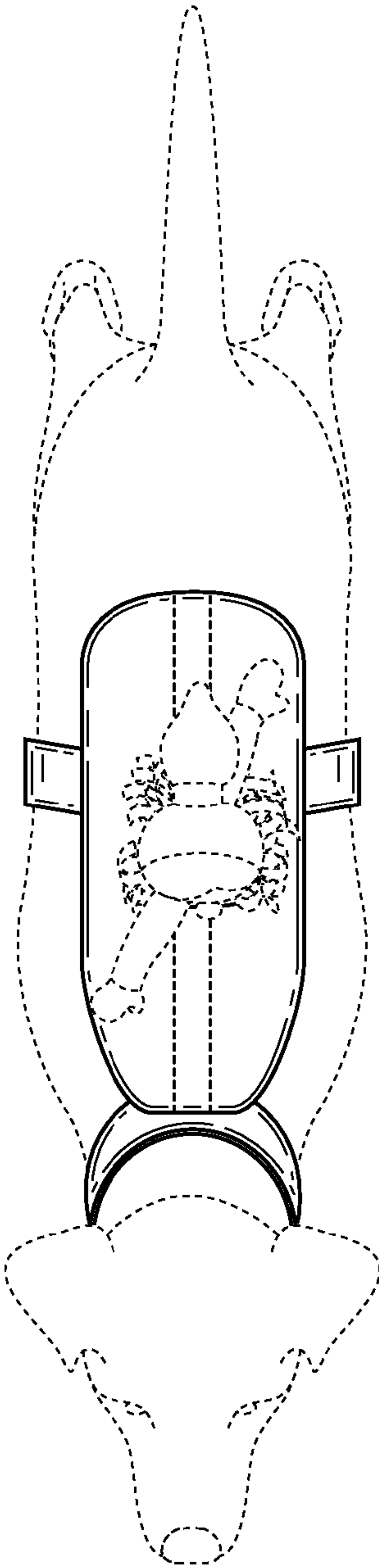


FIG. 14