



US00D699402S

(12) **United States Design Patent**
Diskin et al.

(10) **Patent No.:** **US D699,402 S**
(45) **Date of Patent:** **** Feb. 11, 2014**

(54) **PET FEEDER**

(71) Applicant: **Worldwise, Inc.**, San Rafael, CA (US)

(72) Inventors: **Aimee Diskin**, Napa, CA (US); **Regina Chern**, Danville, CA (US)

(73) Assignee: **Worldwise, Inc.**, San Rafael, CA (US)

(**) Term: **14 Years**

(21) Appl. No.: **29/467,666**

(22) Filed: **Sep. 20, 2013**

(51) **LOC (10) Cl.** **30-03**

(52) **U.S. Cl.**

USPC **D30/133; D30/129**

(58) **Field of Classification Search**

USPC D30/133, 121, 128, 130, 132; 119/52.1,
119/55, 61.5-61.56; D6/480-485; 248/188;
312/204; 108/153.1-157

See application file for complete search history.

(56) **References Cited**

U.S. PATENT DOCUMENTS

D29,074 S *	7/1898	Albach	D7/364
D31,721 S *	10/1899	Griswod, Jr.	D7/364
D34,490 S *	5/1901	Malton	D7/364
D84,758 S *	7/1931	Samuels	D7/364
D89,262 S *	2/1933	Nunimaker	D30/130
D92,329 S *	5/1934	Weinhardt et al.	D7/364
D101,156 S *	9/1936	Anthony	D7/364
D105,450 S *	7/1937	Clifton	D30/130
D107,453 S *	12/1937	Preston	D7/364
D109,359 S *	4/1938	Stocker	D7/364
D118,821 S *	2/1940	Huenefeld	D7/364
3,180,316 A *	4/1965	Chatfield et al.	119/51.12
3,631,840 A *	1/1972	McCormack	119/51.12
D234,318 S *	2/1975	Starrett	D15/79
3,939,986 A *	2/1976	Pierro	211/74
D246,245 S *	11/1977	Gill et al.	D7/364
4,065,195 A *	12/1977	Fahmie	312/258

D258,018 S *	1/1981	Venditto et al.	D30/130
4,633,815 A *	1/1987	Peterson et al.	119/72
4,699,089 A *	10/1987	Teschke	119/51.5
D293,947 S *	1/1988	Yunker	D30/130
D316,214 S *	4/1991	O'Donnell	D8/14
5,152,247 A *	10/1992	Brown	119/464
D342,170 S *	12/1993	Palmer	D12/425
5,427,292 A *	6/1995	Rousch	224/275
D359,862 S *	7/1995	Rousch	D6/406.6
5,509,376 A *	4/1996	Tsengas	119/51.5
D374,517 S *	10/1996	Morrill	D30/133
D404,219 S *	1/1999	Patterson	D6/406.6
D424,252 S *	5/2000	Hirsh	D30/130
D424,759 S *	5/2000	Sipka	D30/130
D425,262 S *	5/2000	Scott et al.	D30/130
D446,611 S *	8/2001	Gunter	D30/130
D477,691 S *	7/2003	Crowley	D30/131
D478,193 S *	8/2003	Routh	D30/131
D491,012 S *	6/2004	Rogers	D7/364
D499,029 S *	11/2004	Maarberg	D10/46.3
D506,294 S *	6/2005	Boje	D30/133
D513,151 S *	12/2005	Currie	D7/364

(Continued)

Primary Examiner — Susan Moon Lee

(74) *Attorney, Agent, or Firm* — Bay Area Technology Law Group PC

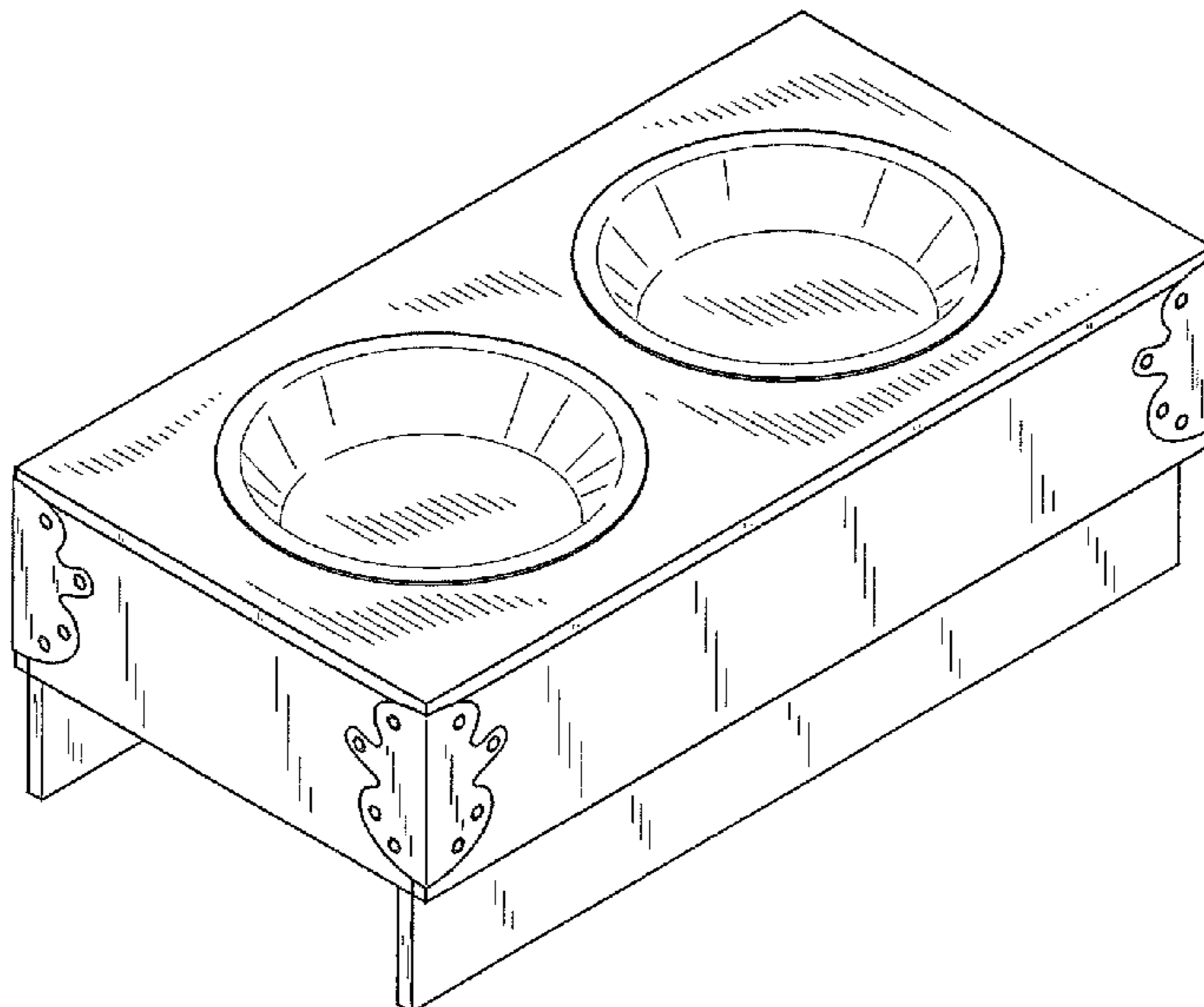
(57) **CLAIM**

The ornamental design for a pet feeder, as shown and described.

DESCRIPTION

FIG. 1 is a perspective view of a pet feeder showing our new design;
FIG. 2 is a top plan view thereof;
FIG. 3 is a bottom plan view thereof;
FIG. 4 is a left side view thereof;
FIG. 5 is a right side view thereof;
FIG. 6 is a front view thereof; and,
FIG. 7 is a back view thereof.

1 Claim, 3 Drawing Sheets



(56)

References Cited

U.S. PATENT DOCUMENTS

7,124,709	B1 *	10/2006	Greer	119/61.5
D580,110	S *	11/2008	Tsengas	D30/133
D591,074	S *	4/2009	Powers et al.	D6/406.6
7,762,211	B1 *	7/2010	McDaniel	119/51.5
D621,560	S *	8/2010	McMurphy	D30/133
7,938,083	B1 *	5/2011	Huether et al.	119/61.5
D647,668	S *	10/2011	Siklosi	D30/133
D651,039	S *	12/2011	O'Neill et al.	D7/364
D651,845	S *	1/2012	O'Neill et al.	D7/364
D682,485	S *	5/2013	Wyggle	D30/133
D686,784	S *	7/2013	Elliott et al.	D30/133
2009/0241844	A1 *	10/2009	Becattini et al.	119/51.5

* cited by examiner

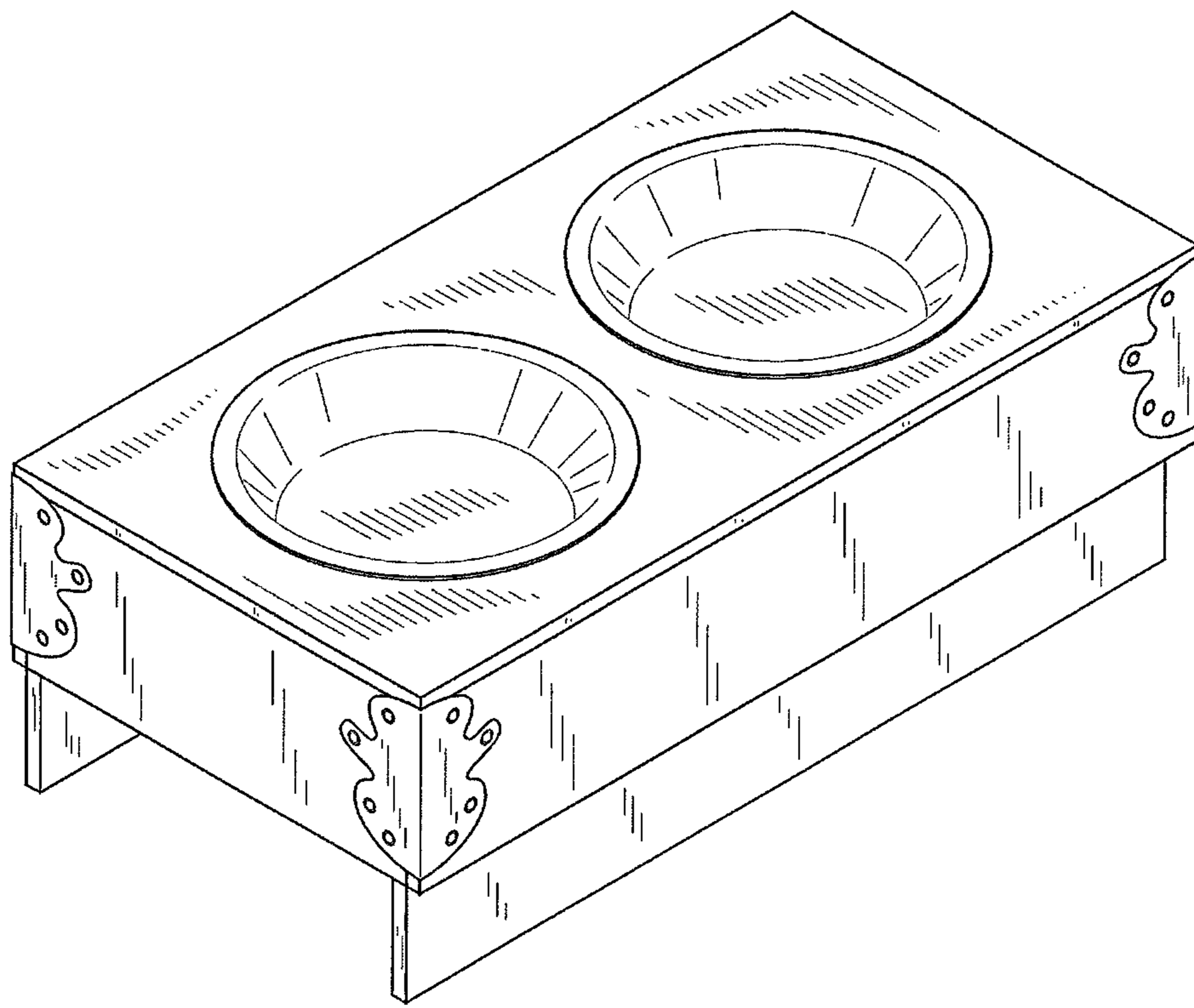


FIG. 1

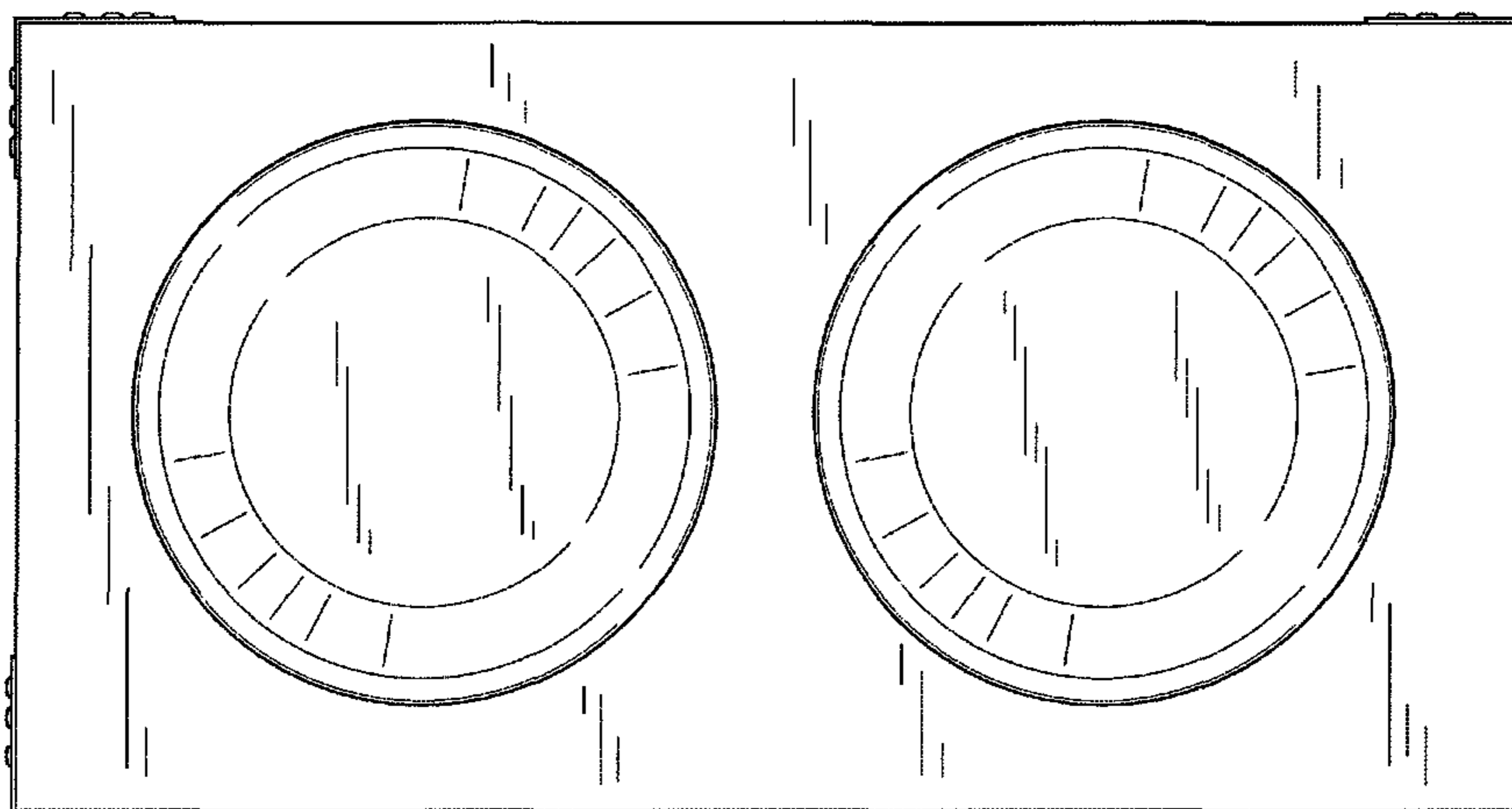


FIG. 2

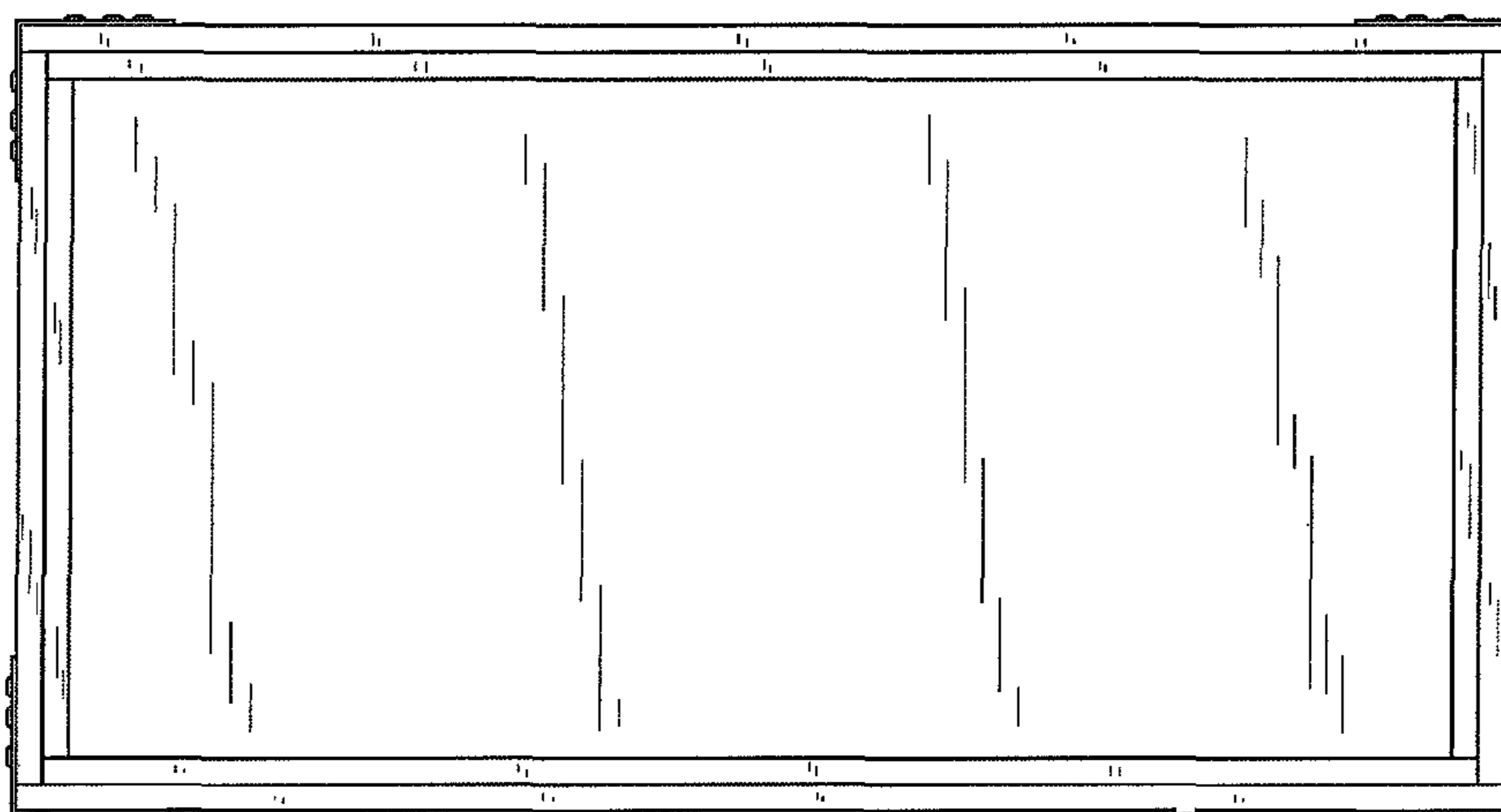


FIG. 3

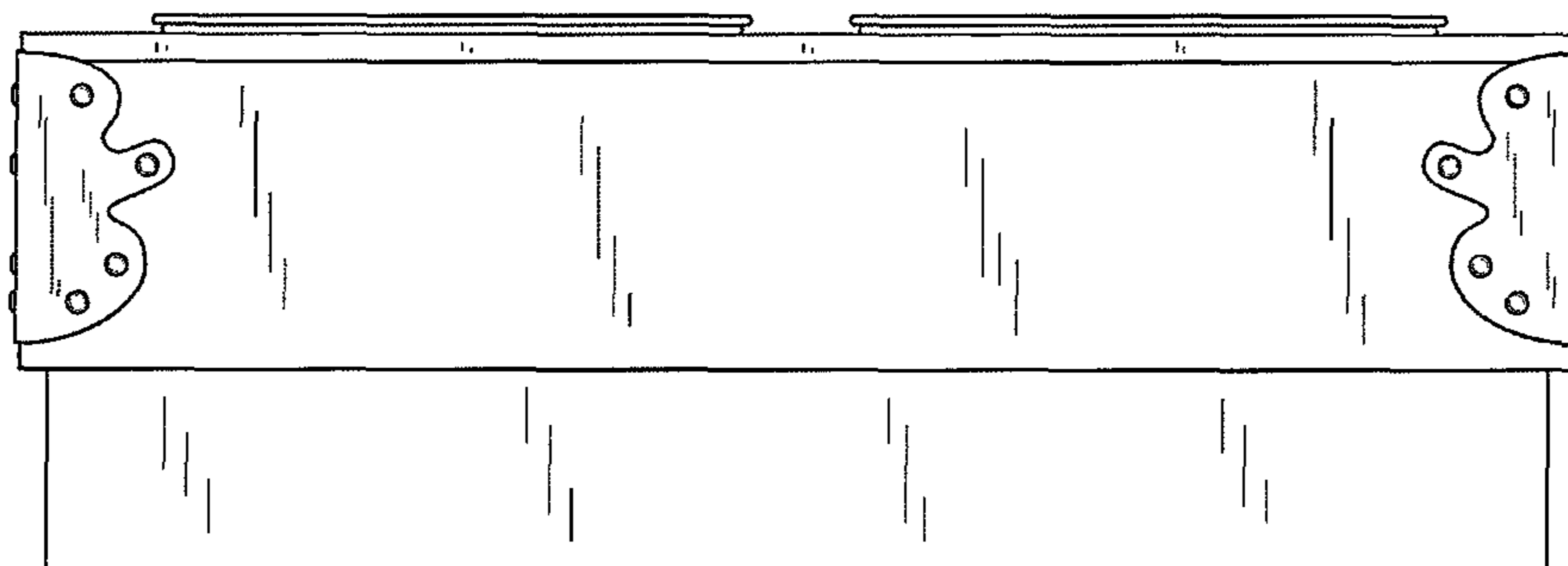


FIG. 4

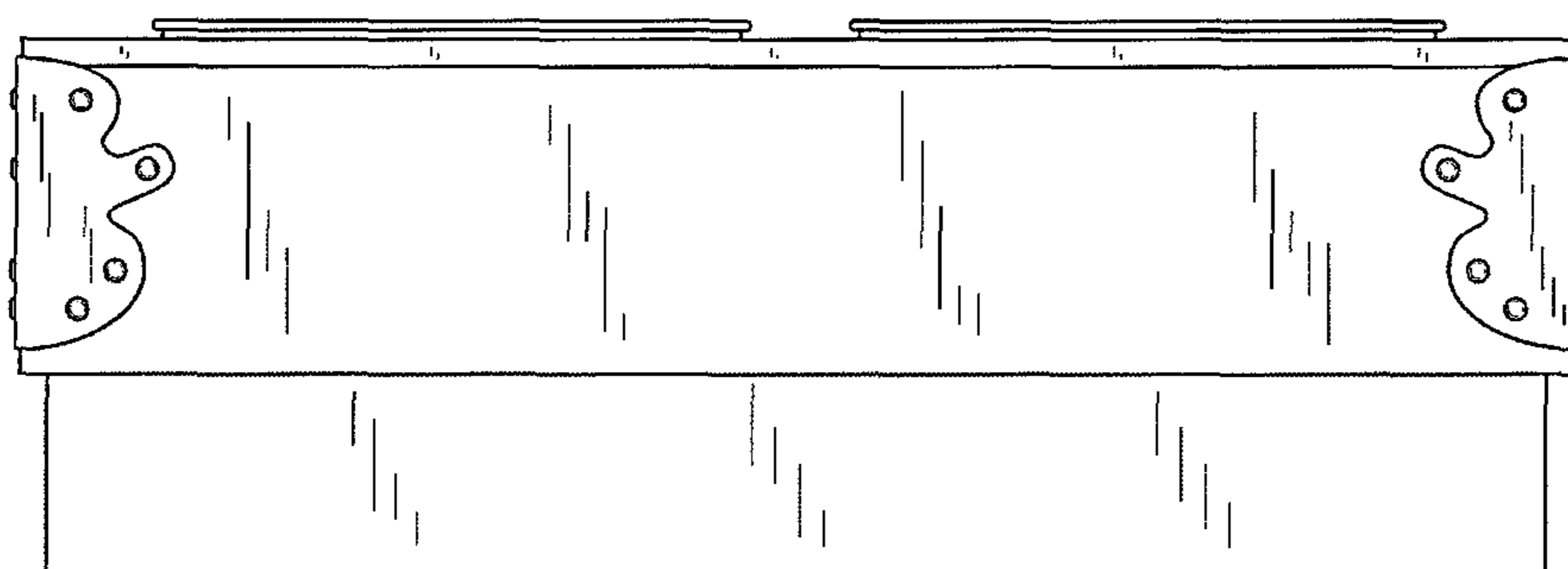


FIG. 5

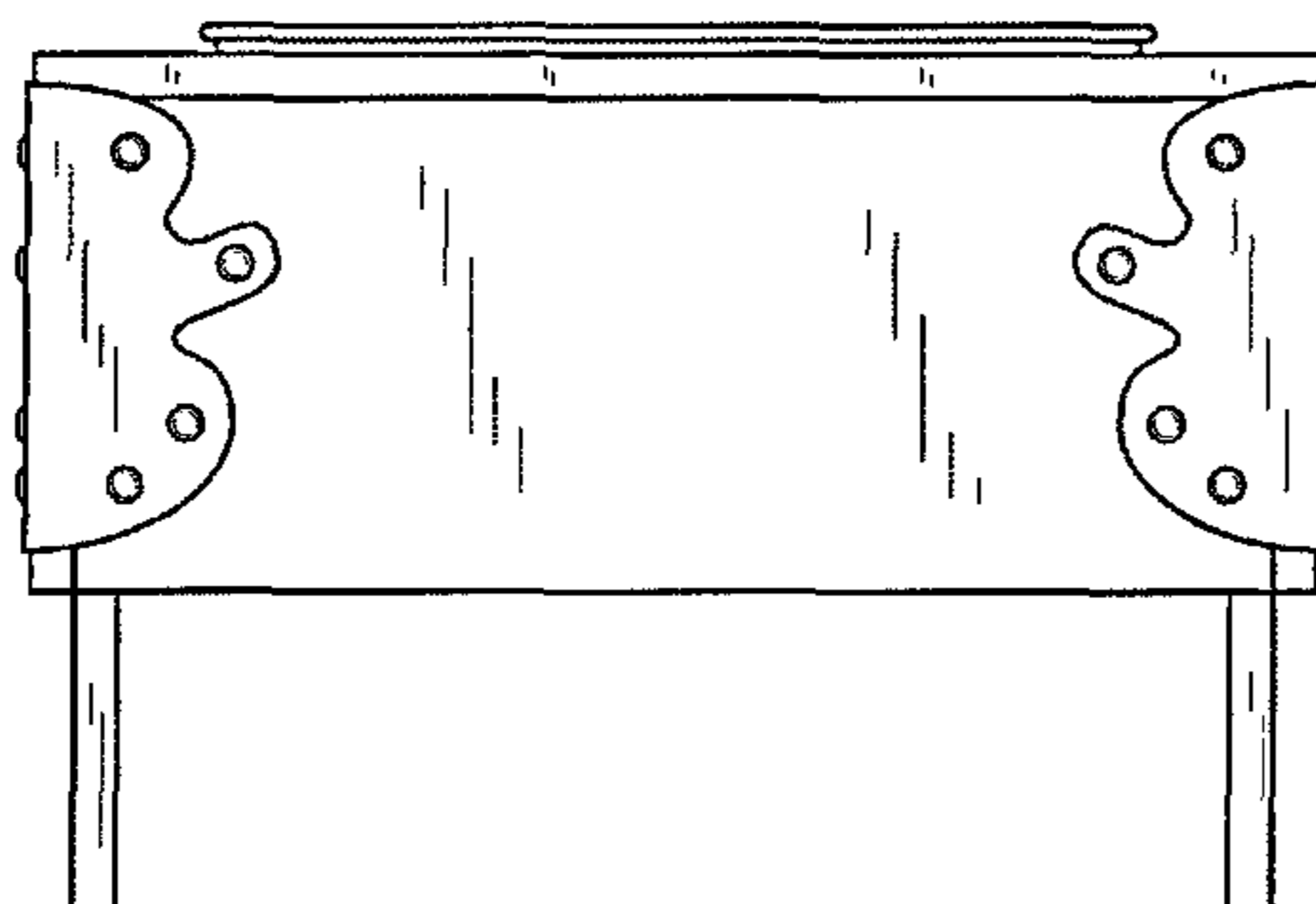


FIG. 6

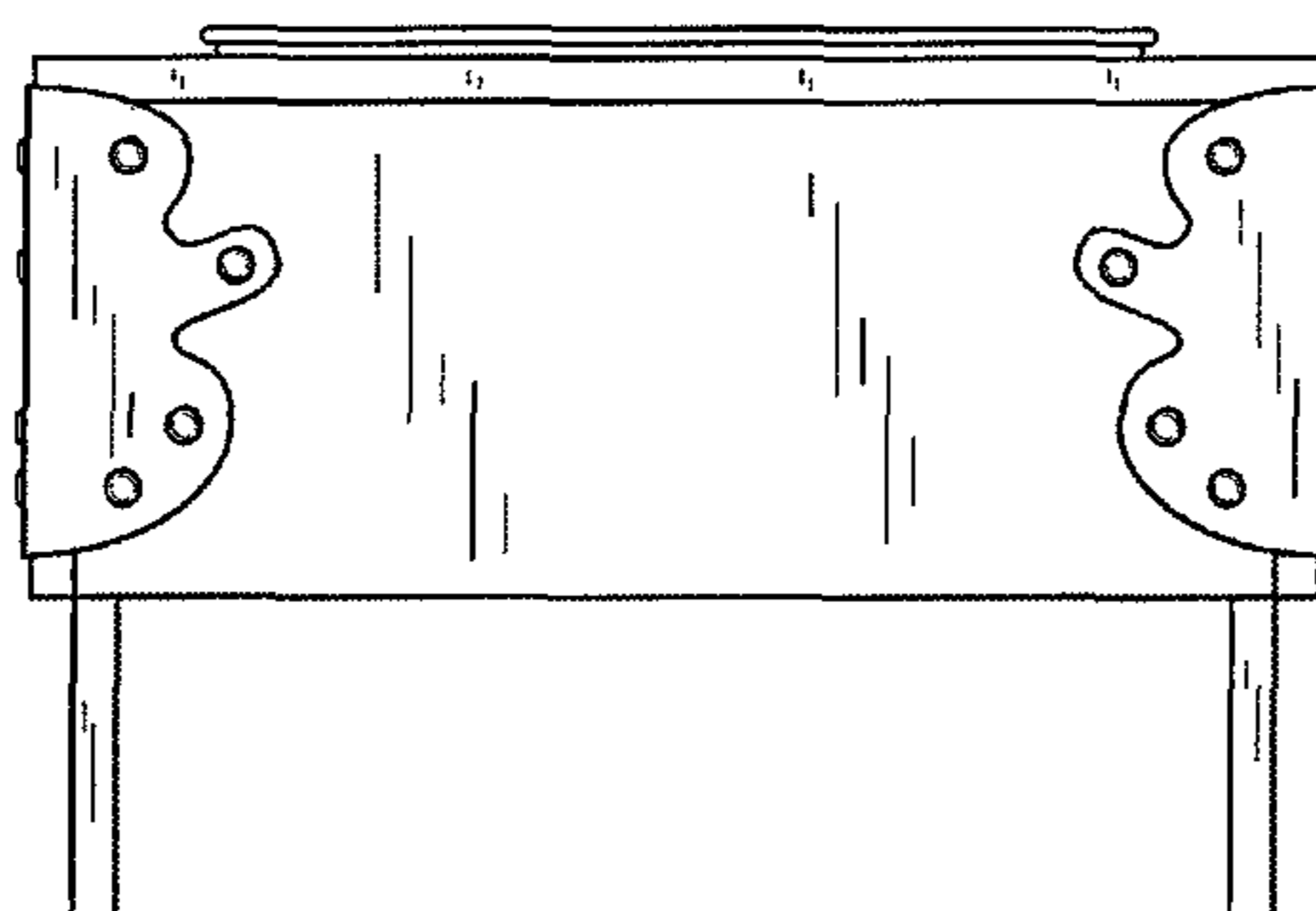


FIG. 7