

US00D699401S

(12) **United States Design Patent**
Gage

(10) **Patent No.:** **US D699,401 S**

(45) **Date of Patent:** **** Feb. 11, 2014**

- (54) **CIRCULAR BIRDFEEDER**
- (75) Inventor: **Steven Keith Gage**, Wheaton, IL (US)
- (73) Assignee: **Akerne Industries, LLC**, Antioch, IL (US)
- (**) Term: **14 Years**
- (21) Appl. No.: **29/403,344**
- (22) Filed: **Oct. 5, 2011**
- (51) **LOC (10) Cl.** **30-03**
- (52) **U.S. Cl.**
USPC **D30/127**
- (58) **Field of Classification Search**
USPC D30/121, 124, 126–129, 133, 199,
D30/110–112, 123, 125; 119/52.2, 51.5,
119/61.5, 57.8, 57.9, 52.3, 61.1, 531, 63,
119/428–435, 52.4, 55, 61.3, 69.5, 75, 76;
47/67, 83; 248/318; D11/164, 152;
211/128.1; D27/123; D6/495, 460,
D6/461, 476, 405
See application file for complete search history.

5,826,539	A *	10/1998	Bloedorn	119/52.2
5,893,335	A *	4/1999	Goodwin	119/52.2
5,970,913	A *	10/1999	Bloedorn	119/57.8
6,047,661	A *	4/2000	Lush	119/51.01
6,067,934	A *	5/2000	Harwich	119/57.8
6,070,554	A *	6/2000	Wilson	119/51.04
6,073,582	A *	6/2000	Lush	119/51.01
6,363,887	B1 *	4/2002	Davis	119/52.1
6,453,843	B2 *	9/2002	Bescherer	119/51.01
6,543,384	B2 *	4/2003	Cote	119/57.9
6,591,781	B2 *	7/2003	Hardison	119/57.9
D490,576	S *	5/2004	Rich et al.	D30/128
6,758,164	B2 *	7/2004	Rich	119/52.3
D498,335	S *	11/2004	Donegan	D30/124
6,945,192	B2 *	9/2005	Cote	119/57.9
D514,748	S *	2/2006	Sweasy	D30/124
7,191,731	B2 *	3/2007	Cote	119/57.9
7,198,004	B1 *	4/2007	Lush	119/57.8
7,219,621	B2 *	5/2007	Coroneos	119/57.1
7,237,507	B1 *	7/2007	Colwell	119/51.01
7,258,075	B1 *	8/2007	Jones et al.	119/57.9

(Continued)

Primary Examiner — Susan Moon Lee
(74) *Attorney, Agent, or Firm* — Justin Lampel

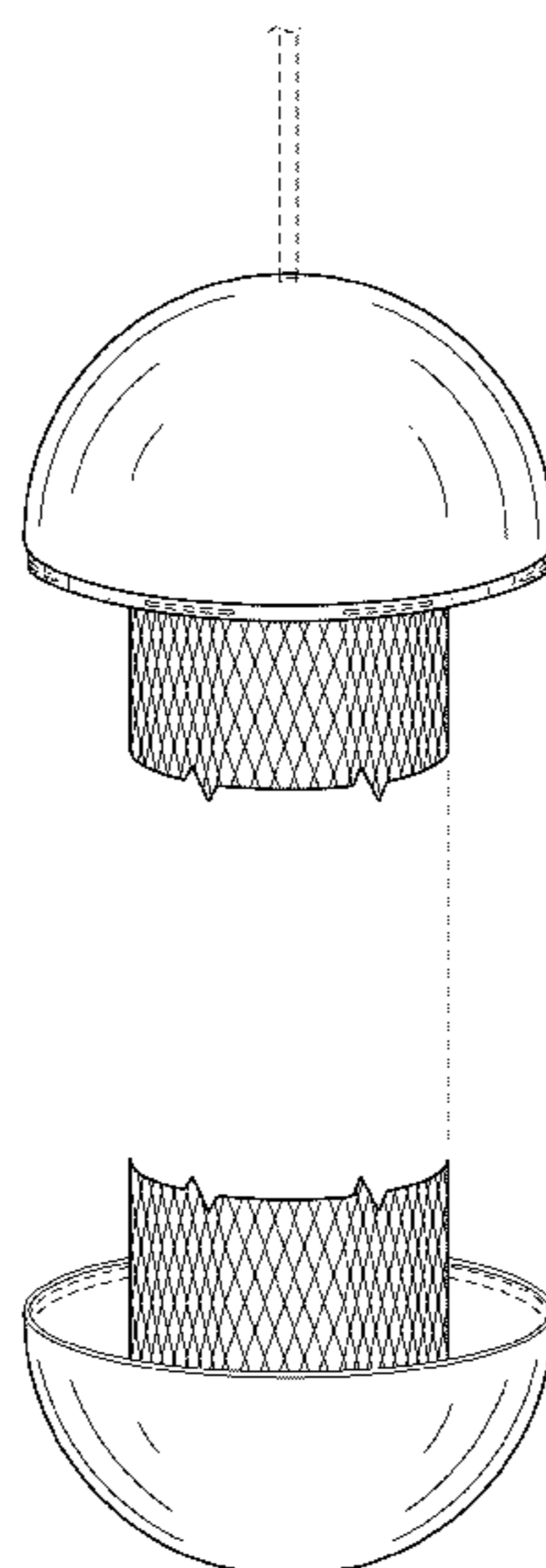
(57) **CLAIM**
The ornamental design for a circular birdfeeder, as shown and described.

- (56) **References Cited**
U.S. PATENT DOCUMENTS
2,116,699 A * 5/1938 Hall 119/54
D267,355 S * 12/1982 Blasbalg D30/127
4,434,745 A * 3/1984 Perkins et al. 119/57.9
D274,377 S * 6/1984 Nock D30/126
D277,514 S * 2/1985 Bescherer D30/128
5,016,573 A * 5/1991 Power 119/57.9
5,195,459 A * 3/1993 Ancketill 119/57.9
5,289,796 A * 3/1994 Armstrong 119/52.3
D351,262 S * 10/1994 Fasino D30/127
D351,691 S * 10/1994 Lipton D30/127
5,479,878 A * 1/1996 Coulter 119/51.03
5,701,842 A * 12/1997 Whittles 119/52.2
5,758,596 A * 6/1998 Loiselle 119/52.2

DESCRIPTION

FIG. 1 is a front perspective view of the circular birdfeeder; FIG. 2 is a front view of the circular birdfeeder; FIG. 3 is a top view of the circular birdfeeder; and, FIG. 4 is a bottom view of the circular birdfeeder. Broken lines and portions contained within broken lines are not claimed. The broken away showing in the middle portion of the circular birdfeeder indicates that the appearance of any portion of the article between the break lines forms no part of the claimed design.

1 Claim, 3 Drawing Sheets



(56)

References Cited

U.S. PATENT DOCUMENTS

D571,056 S *	6/2008	Bloedorn	D30/127	D676,615 S *	2/2013	Van Dyk	D30/127
7,739,982 B2 *	6/2010	Cote	119/57.9	8,434,425 B2 *	5/2013	Cote	119/57.9
D620,629 S *	7/2010	Sabernig	D26/84	2001/0032592 A1 *	10/2001	Bescherer	119/51.01
D622,437 S *	8/2010	Crosby	D26/88	2002/0092475 A1 *	7/2002	Paynton et al.	119/51.01
D634,047 S *	3/2011	Sabernig	D26/84	2003/0033985 A1 *	2/2003	Hardison	119/57.9
7,954,264 B1 *	6/2011	Jost	40/431	2003/0150391 A1 *	8/2003	Rich	119/57.8
8,006,642 B2 *	8/2011	Vosbikian	119/52.2	2004/0123808 A1 *	7/2004	Dunn	119/57.9
D648,903 S *	11/2011	Lush	D30/127	2006/0162665 A1 *	7/2006	George	119/52.3
D649,299 S *	11/2011	Lush	D30/127	2006/0260553 A1 *	11/2006	Cote	119/57.8
D649,300 S *	11/2011	Lush	D30/127	2006/0288944 A1 *	12/2006	Hoff	119/57.9
D649,301 S *	11/2011	Fink	D30/127	2008/0134979 A1 *	6/2008	Crocker	119/51.5
8,056,507 B2 *	11/2011	Lush	119/57.8	2008/0156268 A1 *	7/2008	Greenwood et al.	119/51.01
D655,852 S *	3/2012	Sabernig	D26/88	2008/0295777 A1 *	12/2008	Cote	119/52.3
D663,078 S *	7/2012	Greenwood et al.	D30/127	2010/0258055 A1 *	10/2010	Cote	119/52.3
D663,489 S *	7/2012	Van Dyk	D30/127	2010/0288200 A1 *	11/2010	Lush	119/52.3
				2010/0288201 A1 *	11/2010	Lush	119/52.4
				2011/0126771 A1 *	6/2011	Cote	119/52.3

* cited by examiner

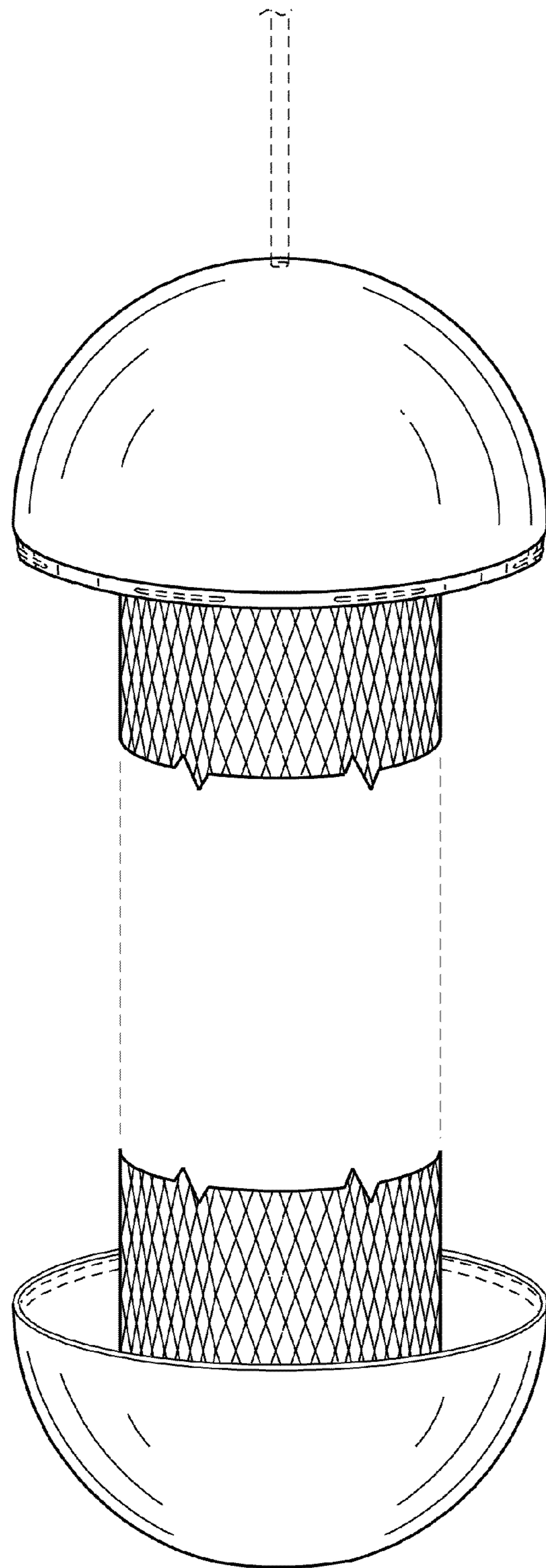


FIG. 1

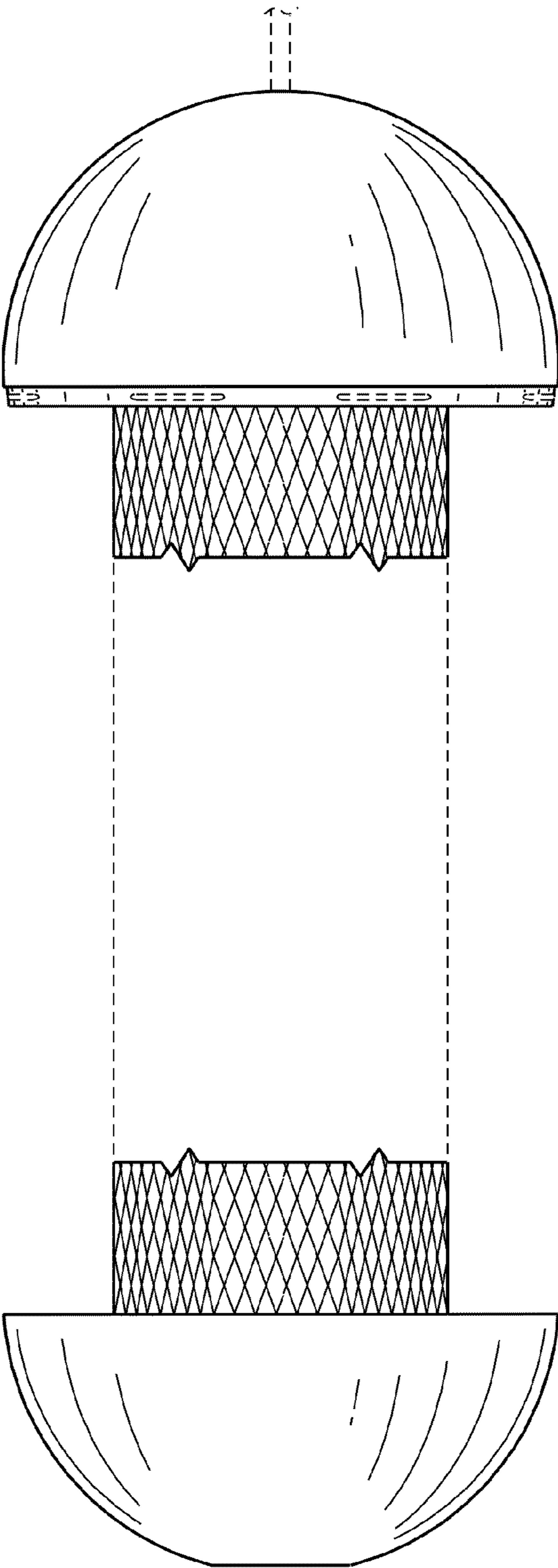


FIG. 2

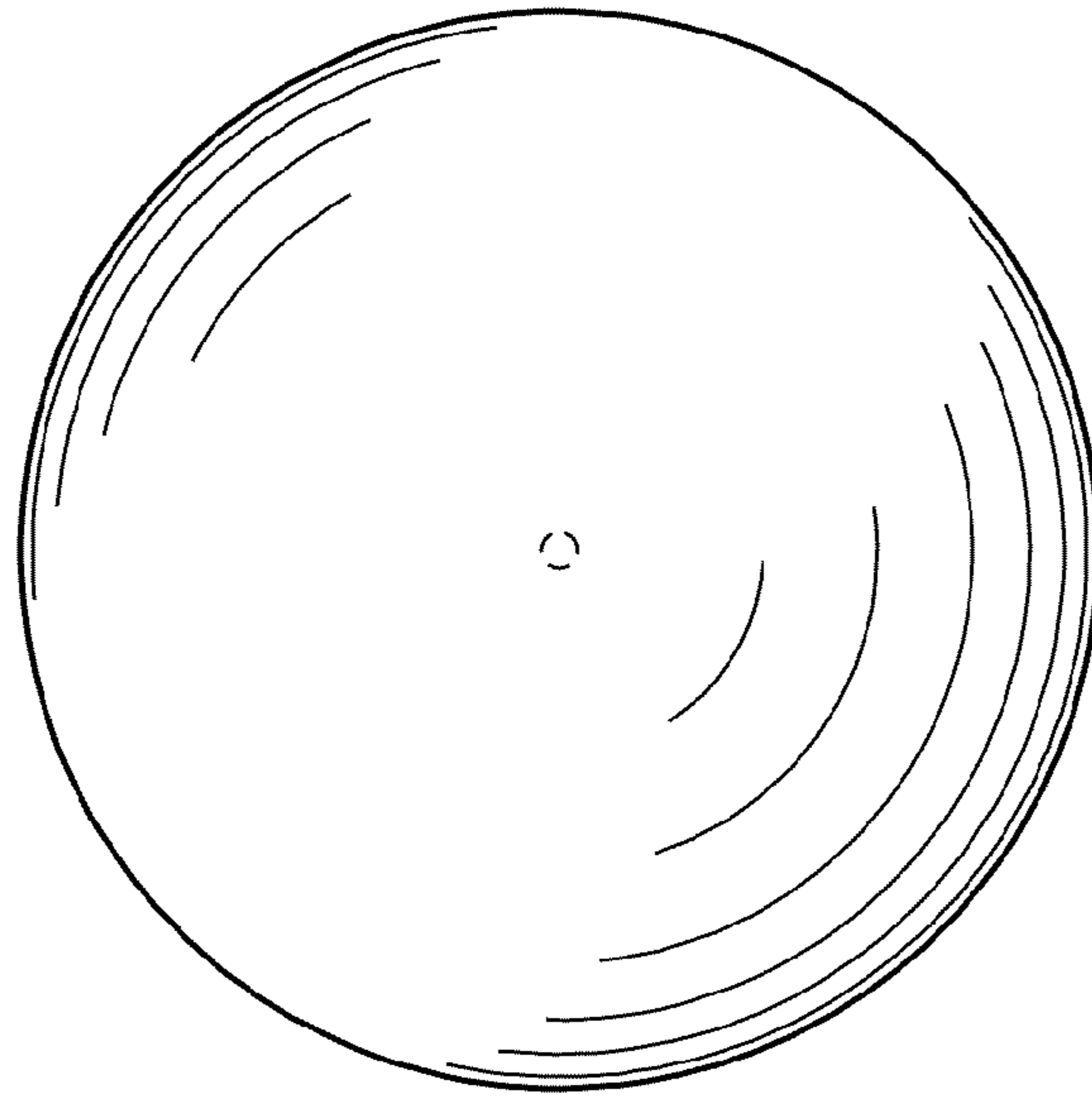


FIG. 3

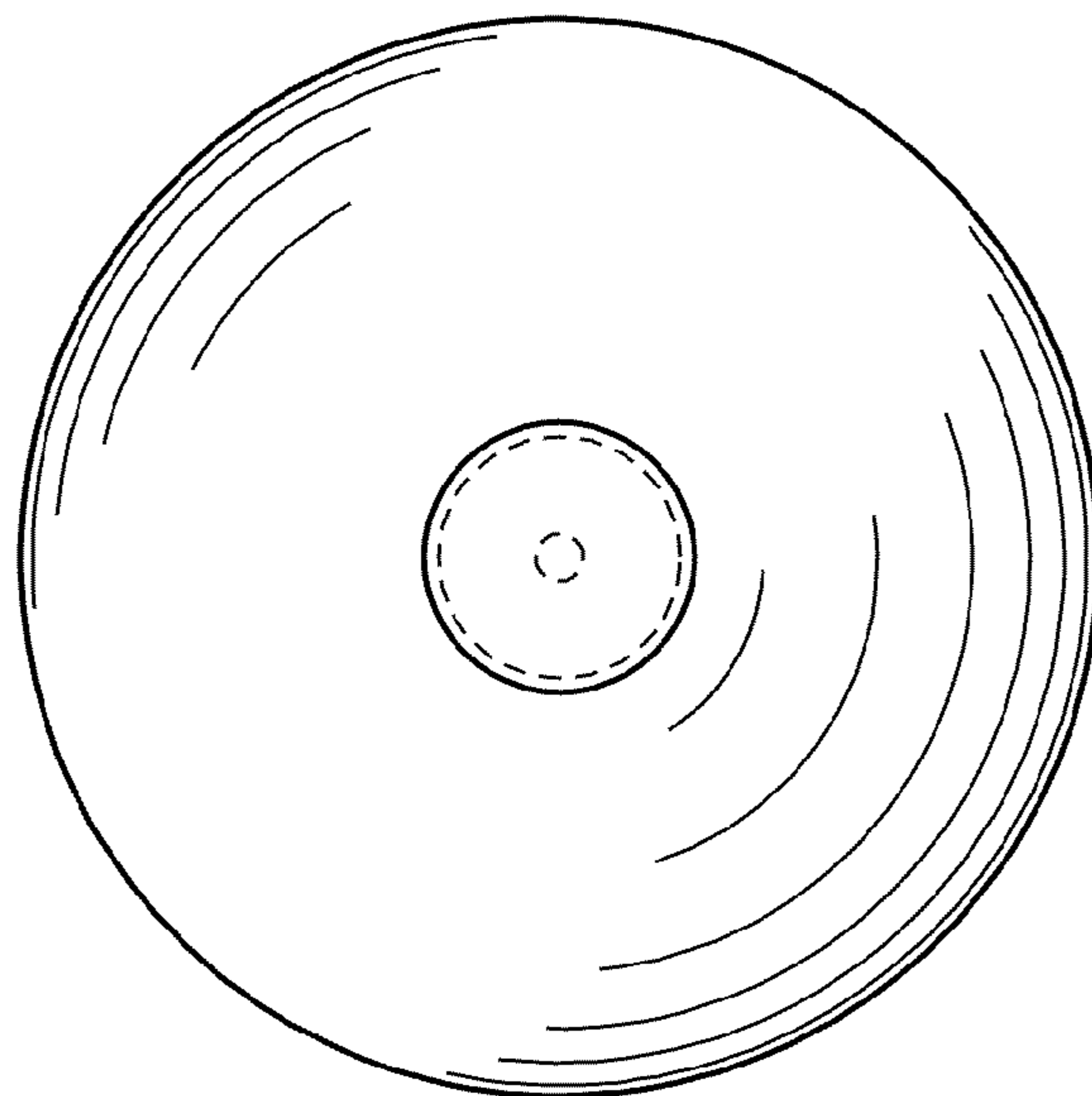


FIG. 4