



US00D699390S

(12) **United States Design Patent**
Langer

(10) **Patent No.:** **US D699,390 S**

(45) **Date of Patent:** **** Feb. 11, 2014**

(54) **LANTERN HOLDER**

(71) Applicant: **Terry Langer**, Minataure, NE (US)

(72) Inventor: **Terry Langer**, Minataure, NE (US)

(**) Term: **14 Years**

(21) Appl. No.: **29/445,292**

(22) Filed: **Feb. 9, 2013**

(51) **LOC (10) Cl.** **26-99**

(52) **U.S. Cl.**
USPC **D26/138**

(58) **Field of Classification Search**

USPC D26/25, 26, 28, 31, 35, 36, 37, 41, 42,
D26/50, 51, 52, 64, 66, 67, 73, 75, 78, 85,
D26/88, 89, 90, 103-106, 109, 110, 119,
D26/123, 125, 129, 131, 135, 136, 138, 140,
D26/143, 144; D13/179, 180; 362/92, 130,
362/132, 133, 183, 184, 190, 205, 216,
362/217.05, 218, 220, 223, 224, 241, 247,
362/249.03, 249.05-249.1, 249.11, 258,
362/260, 285, 287, 294.02, 297, 327, 345,
362/354, 373-379, 410, 418, 419, 510, 516,
362/558, 561; 248/339, 557, 558; D8/354,
D8/373, 377, 382; D25/60, 119, 124, 125;
52/455; 349/59-62, 64-67, 113;
438/15; 345/102; D12/406; D10/111,
D10/114.1; D11/121, 125, 144, 145;
428/11; 257/96, 97, 98, 99

See application file for complete search history.

(56) **References Cited**

U.S. PATENT DOCUMENTS

3,199,818 A * 8/1965 Ahara 248/156
3,995,796 A * 12/1976 Kline 248/121

(Continued)

Primary Examiner — Zenia Bennett

(74) *Attorney, Agent, or Firm* — Shannon Warren

(57) **CLAIM**

The ornamental design for a lantern holder, as shown.

DESCRIPTION

FIG. 1 illustrates a perspective overview of a lantern holder having a cylindrical base portion and a reflector portion, with

a fishing pole holder (shown here as an illustration but not claimed);

FIG. 2 illustrates a perspective overview thereof, with said fishing pole holder (for illustration only) and a portion of a first lantern inside of said lantern holder;

FIG. 3 illustrates a perspective overview thereof, with a hinge attaching said cylindrical base portion attaching to said reflector portion;

FIG. 4 illustrates a perspective overview of said cylindrical base portion thereof having an upper portion and a lower portion;

FIG. 5 illustrates an elevated side view of said cylindrical base portion thereof;

FIG. 6 illustrates an elevated top view of said cylindrical base portion thereof;

FIG. 7 illustrates a front perspective overview of said reflector portion thereof;

FIG. 8 illustrates an elevated front view of said reflector portion thereof;

FIG. 9 illustrates an elevated side view of said reflector portion thereof;

FIG. 10 illustrates a rear perspective overview of said reflector portion thereof;

FIG. 11 illustrates an elevated rear view of said reflector portion thereof;

FIG. 12 illustrates a perspective overview thereof, with said first lantern in said upper portion of said cylindrical base portion;

FIG. 13 illustrates an elevated front cross section view thereof, with said first lantern in said upper portion of said cylindrical base portion;

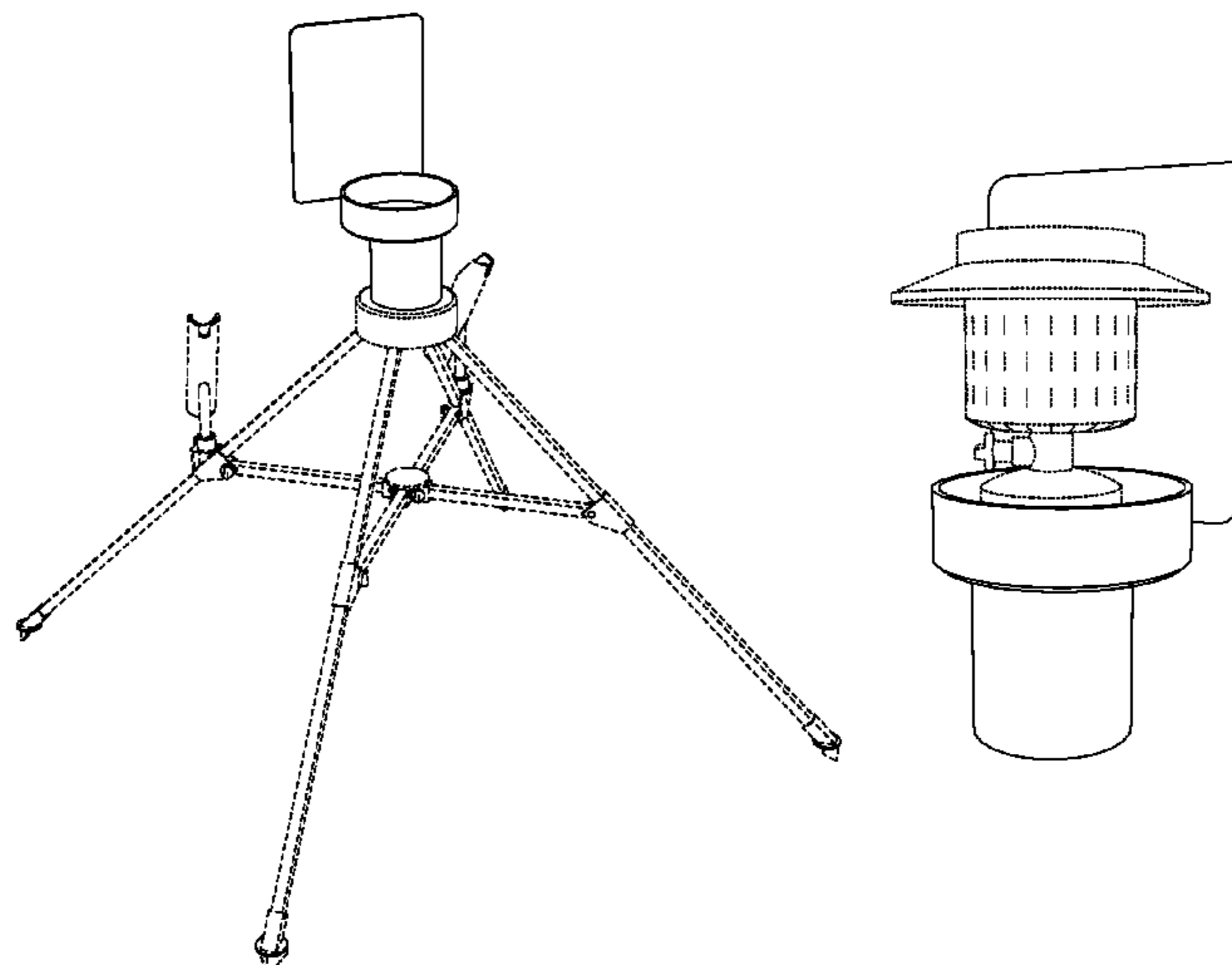
FIG. 14 illustrates a perspective overview thereof, with a second lantern in said lower portion of said cylindrical base portion;

FIG. 15 illustrates an elevated front cross section view thereof, with said second lantern in said lower portion of said cylindrical base portion;

FIG. 16 illustrates an elevated front cross section view thereof; and,

FIG. 17 illustrates a perspective overview of said lantern holder mounted on a boat (shown here as an illustration but not claimed).

1 Claim, 9 Drawing Sheets



US D699,390 S

Page 2

(56)

References Cited

U.S. PATENT DOCUMENTS

D337,849 S * 7/1993 Bradley et al. D26/138
5,323,991 A * 6/1994 West 248/121
D358,679 S * 5/1995 Garrity D26/138

D376,031 S * 11/1996 Burch D26/138
D481,303 S * 10/2003 Fell et al. D8/395
D492,813 S * 7/2004 Meoli D26/138
D614,345 S * 4/2010 Bertken D26/138

* cited by examiner

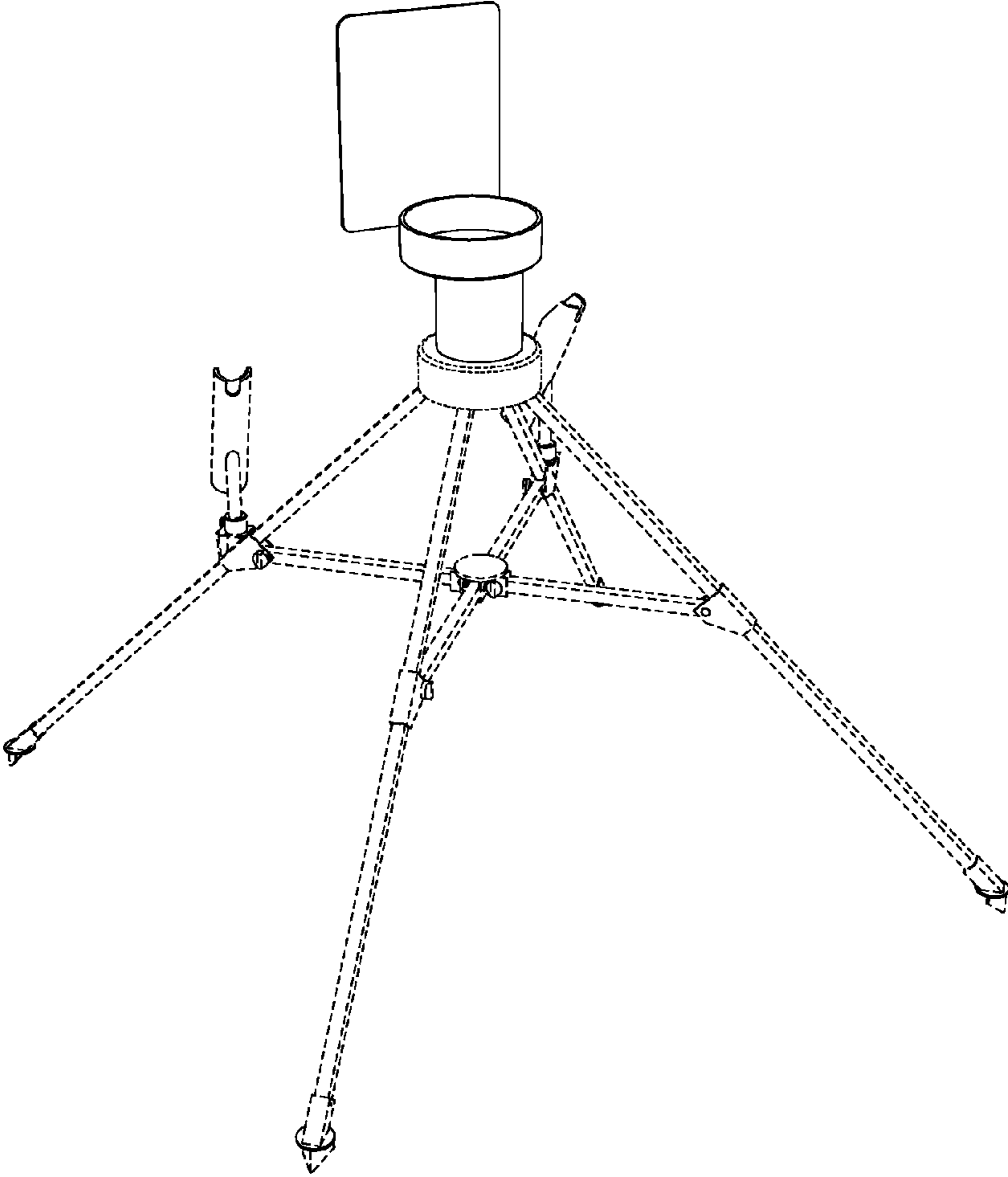


FIG. 1

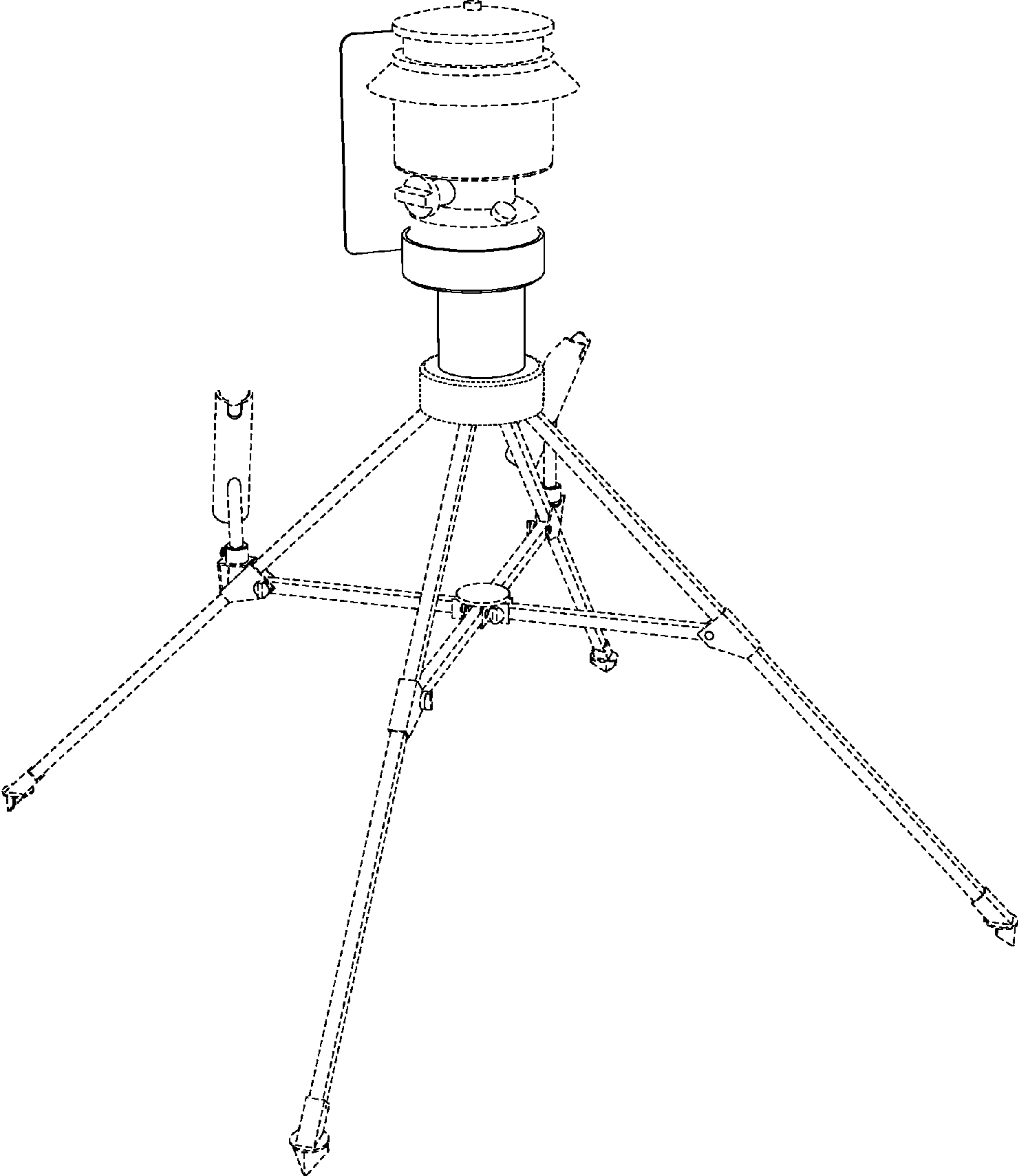


FIG. 2

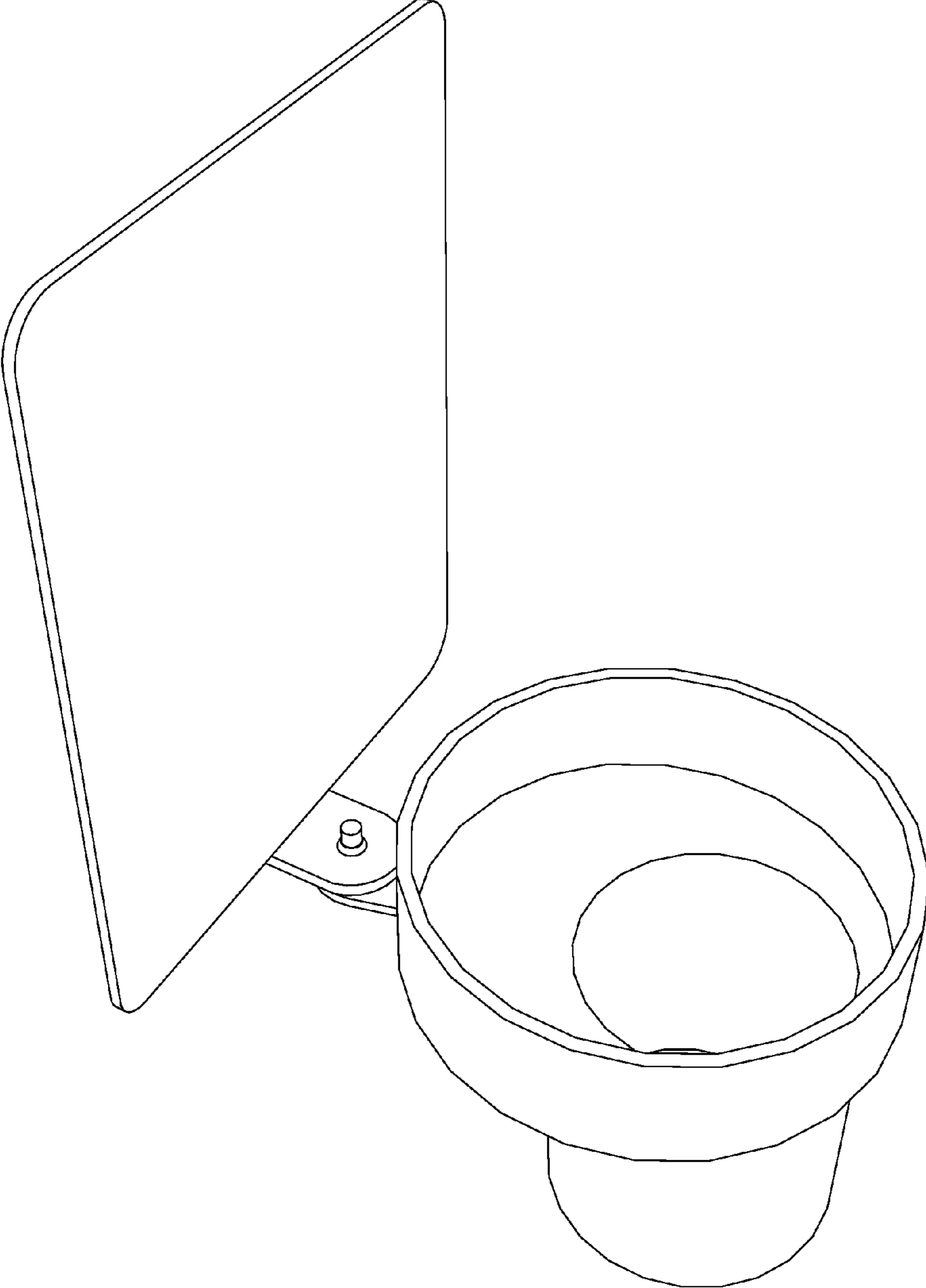


FIG. 3

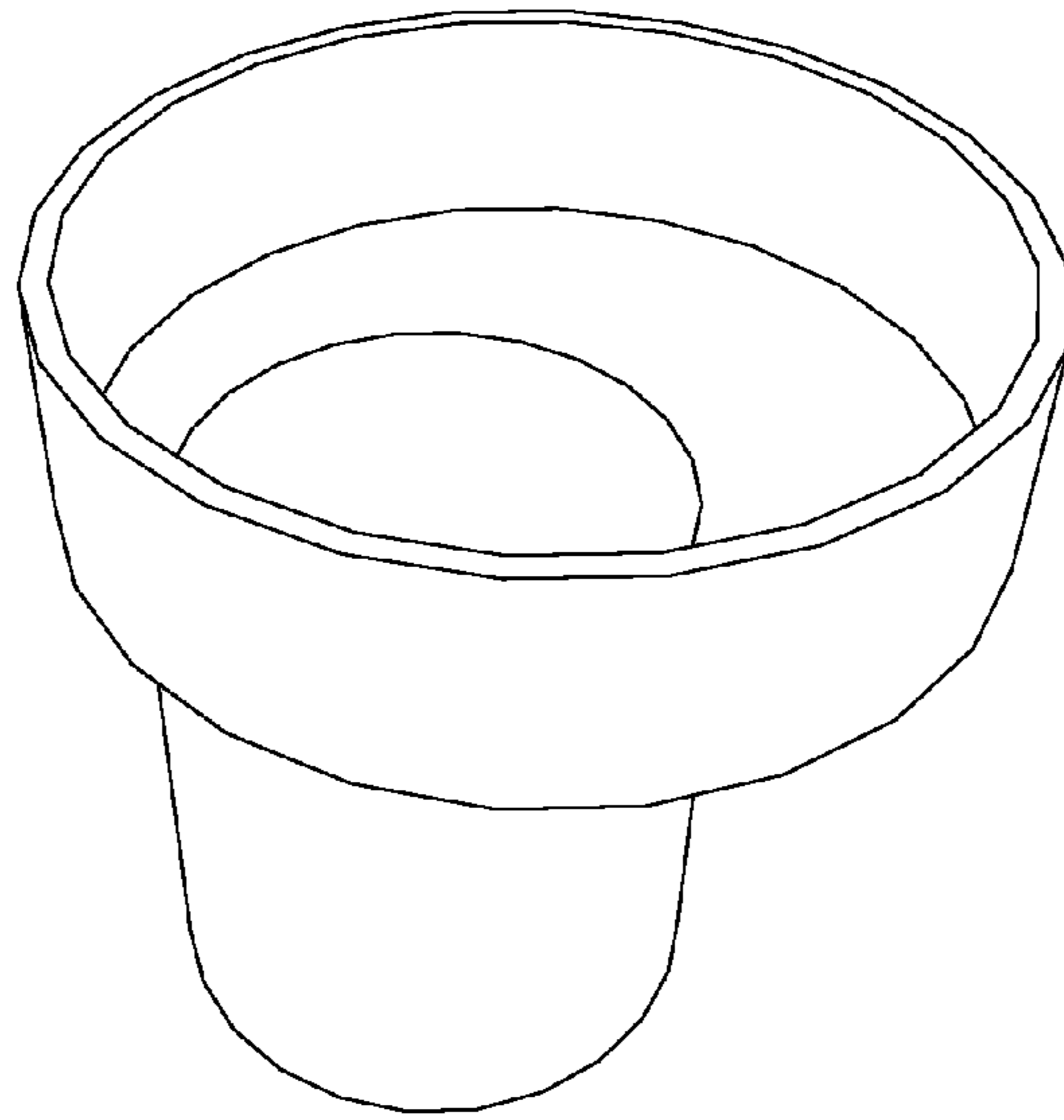


FIG. 4

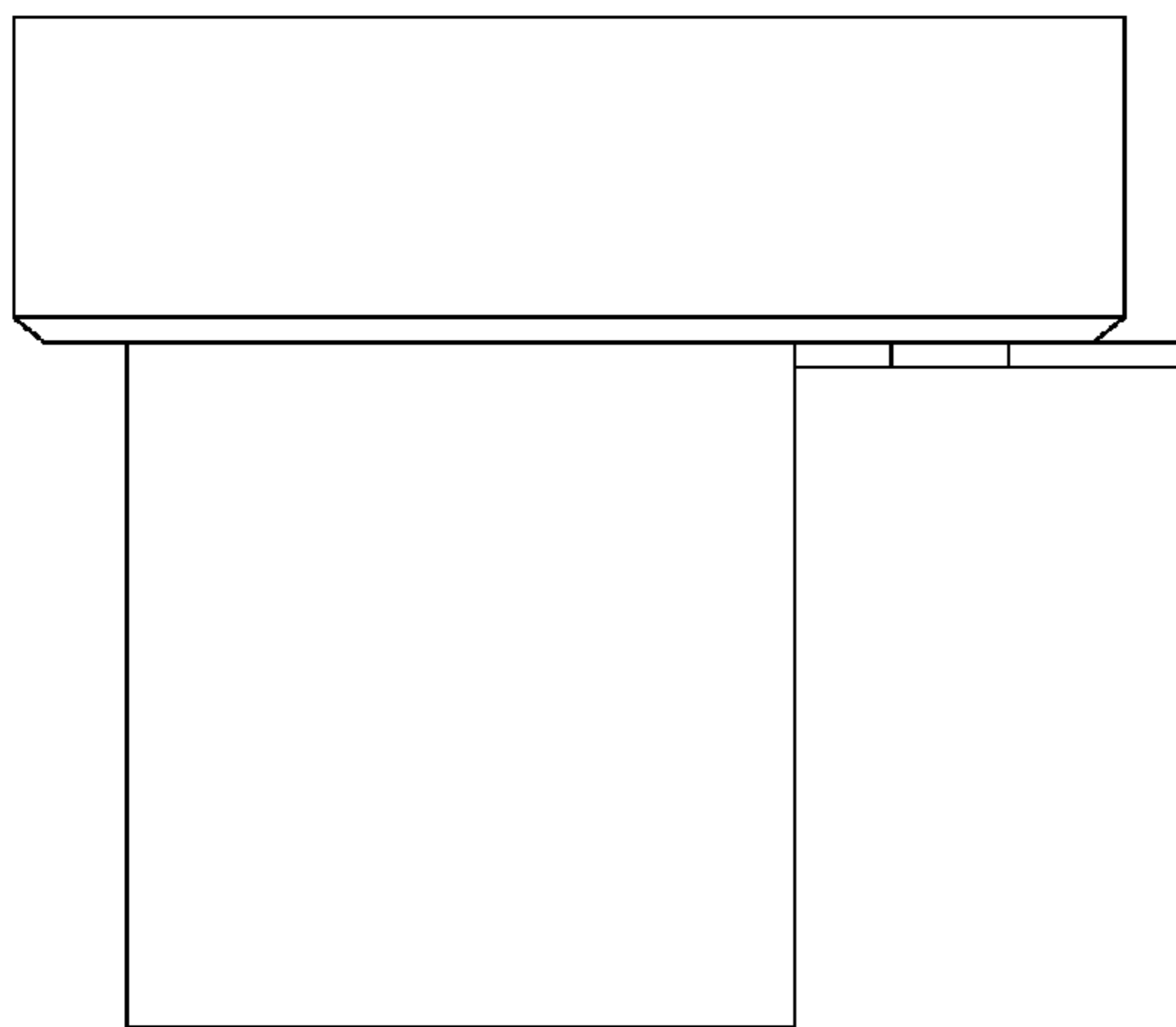


FIG. 5

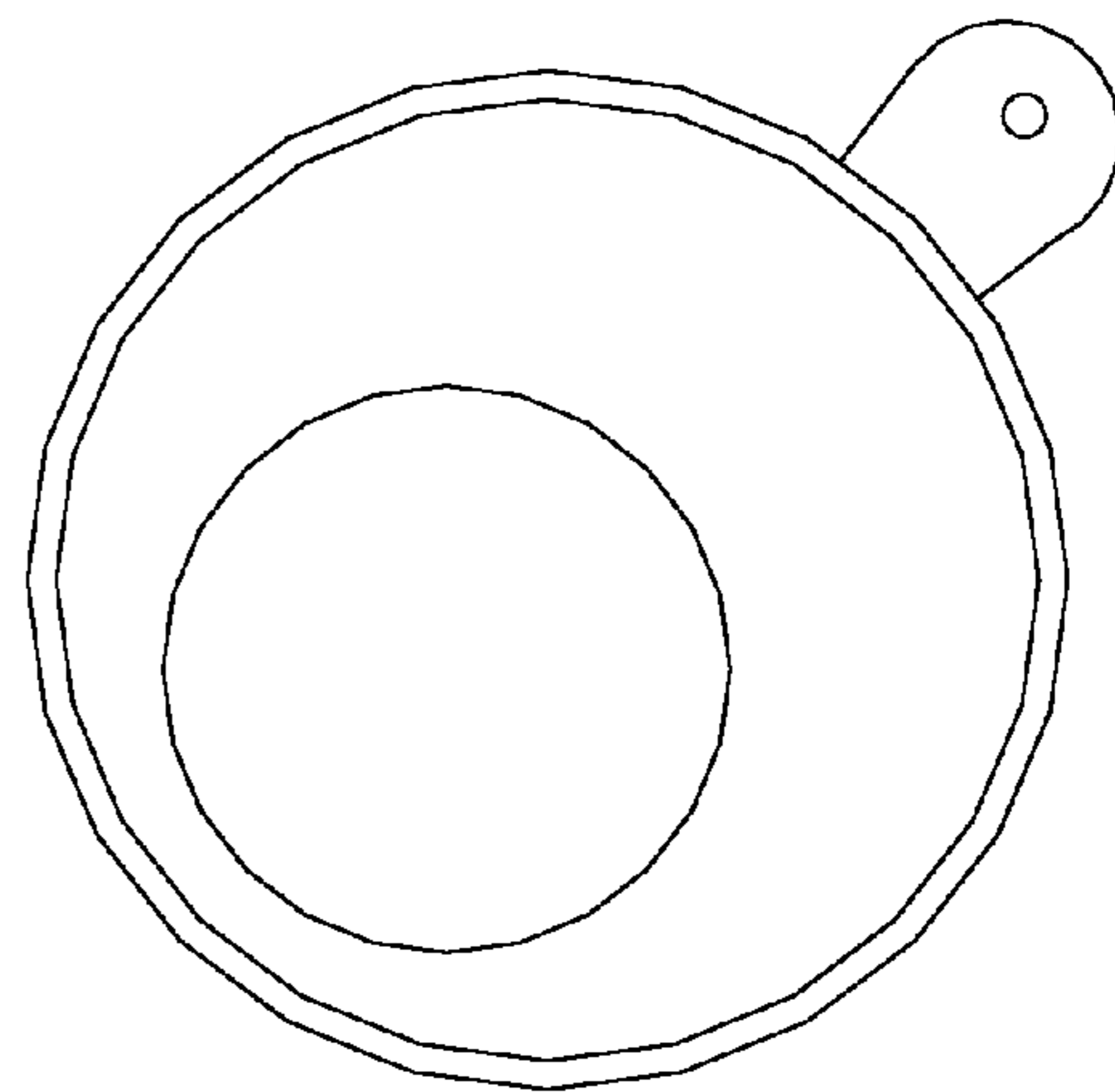


FIG. 6

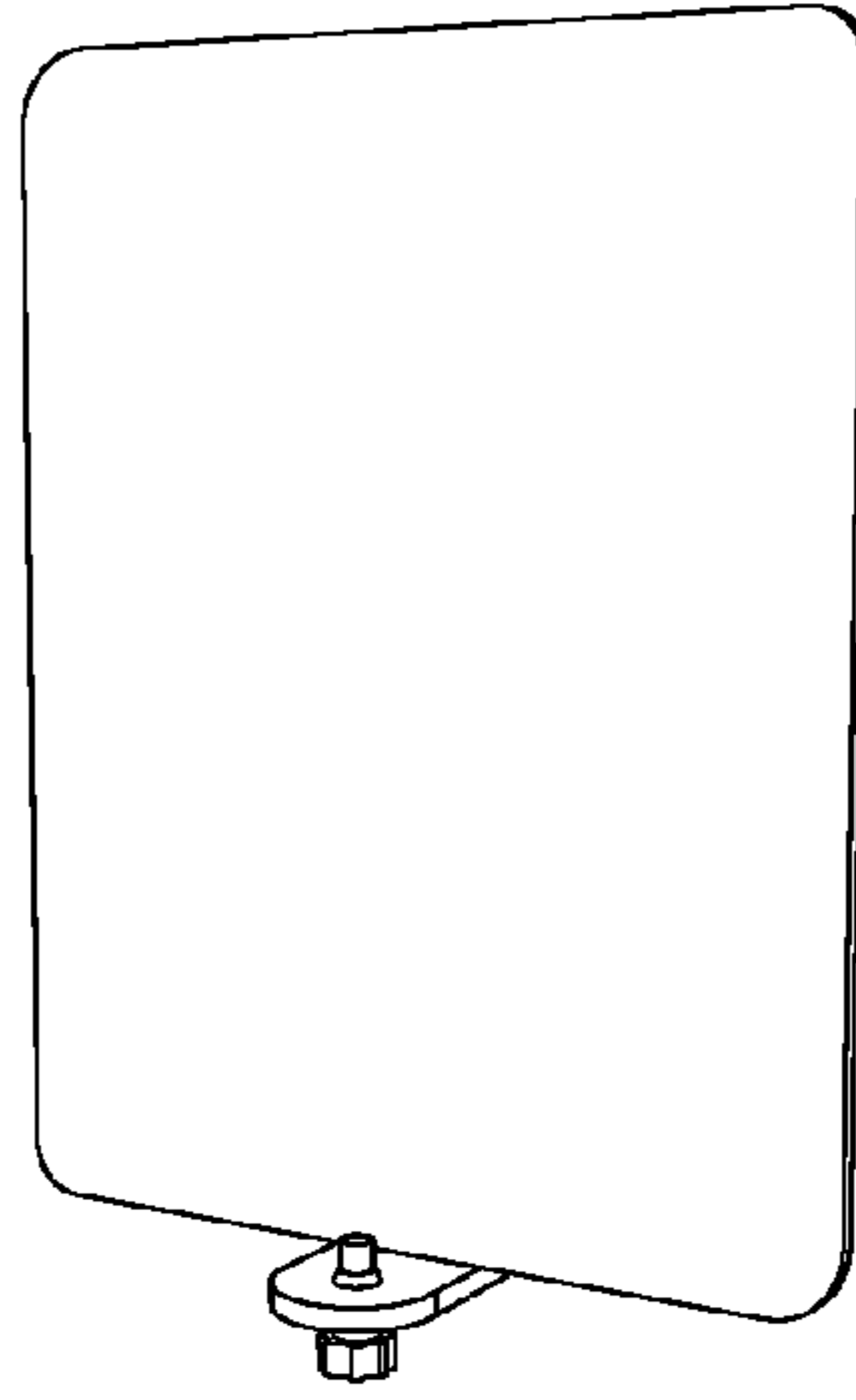


FIG. 7

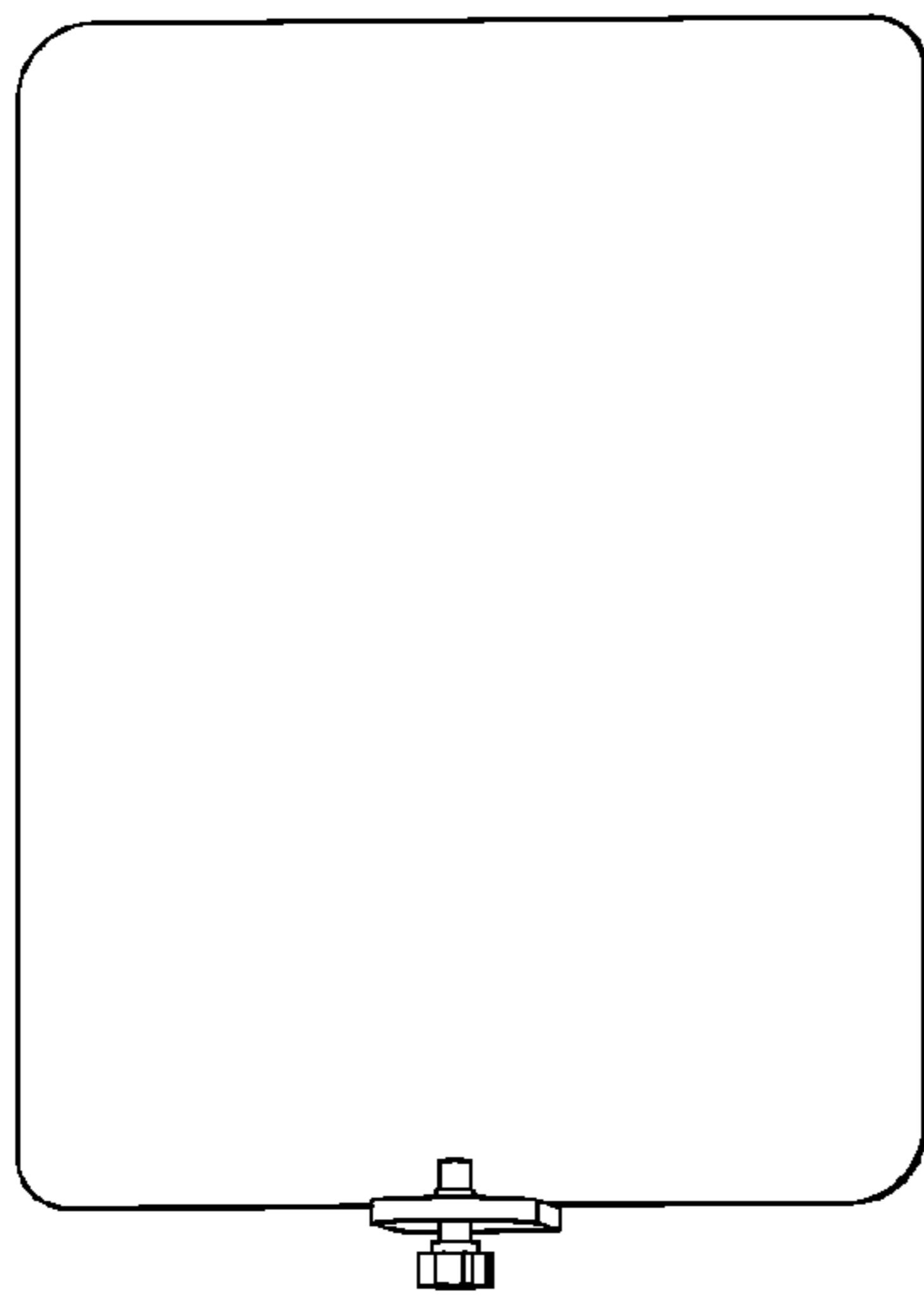


FIG. 8

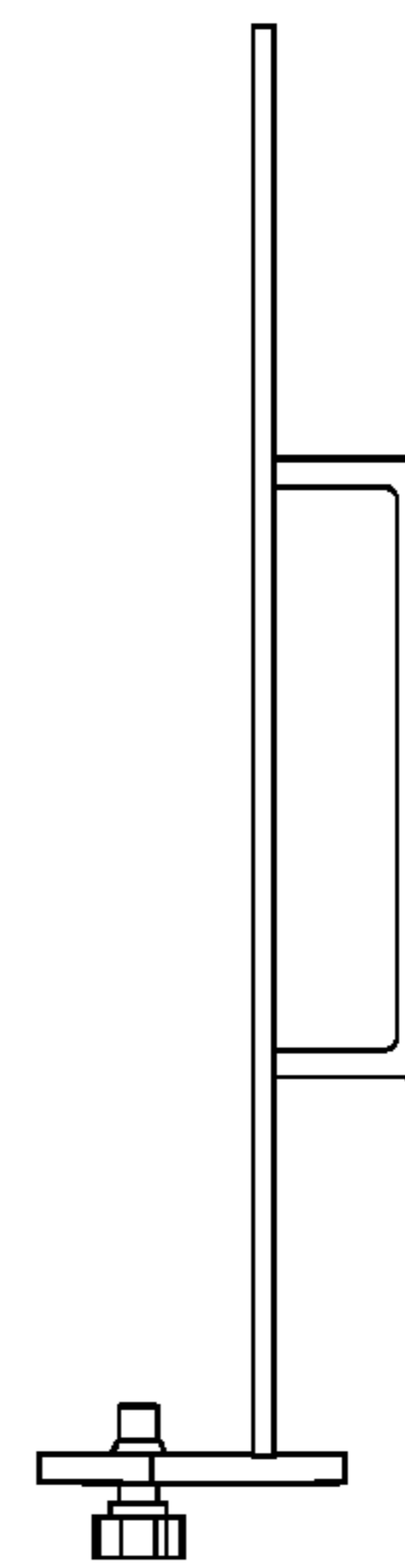


FIG. 9

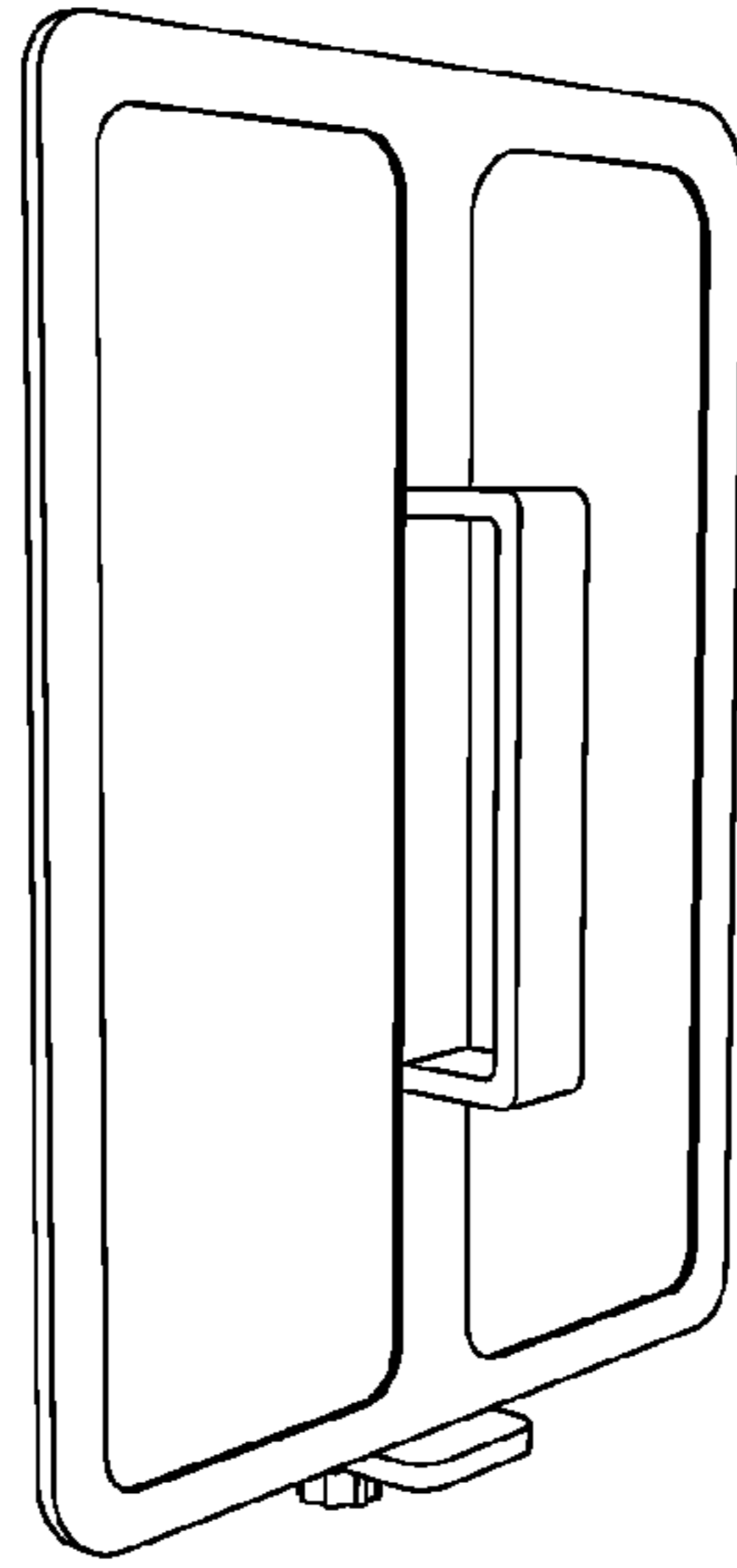


FIG. 10

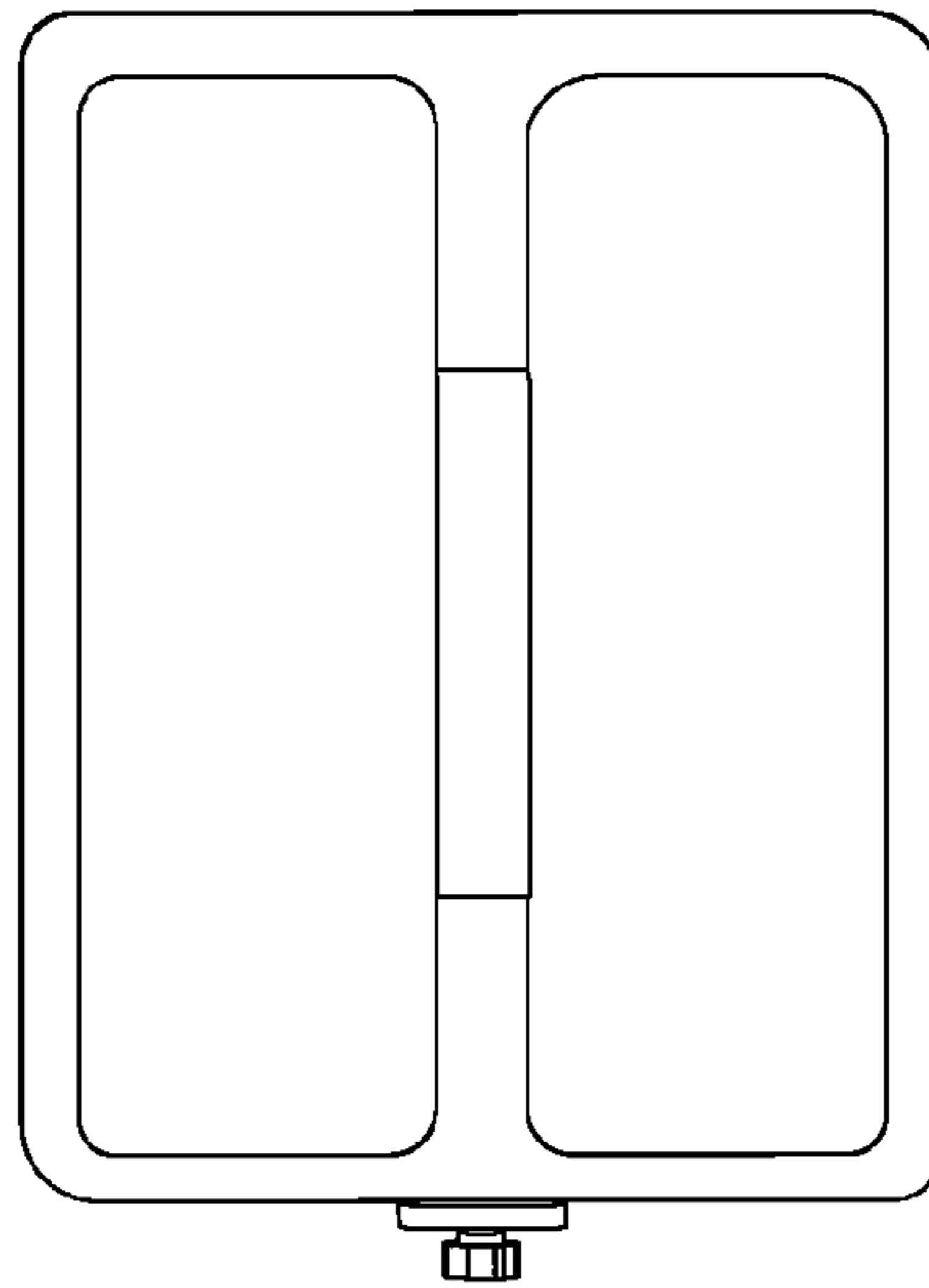


FIG. 11

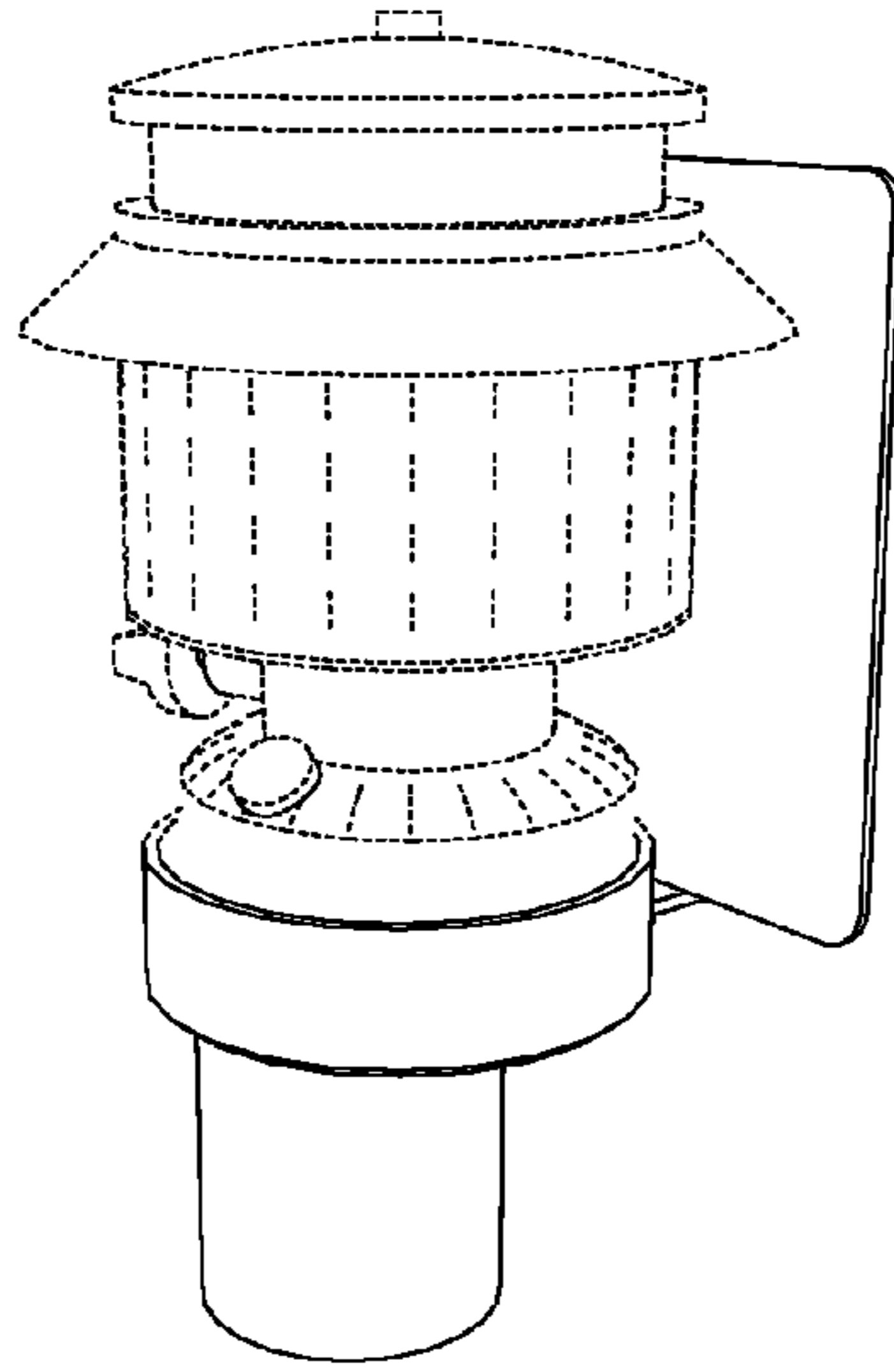


FIG. 12

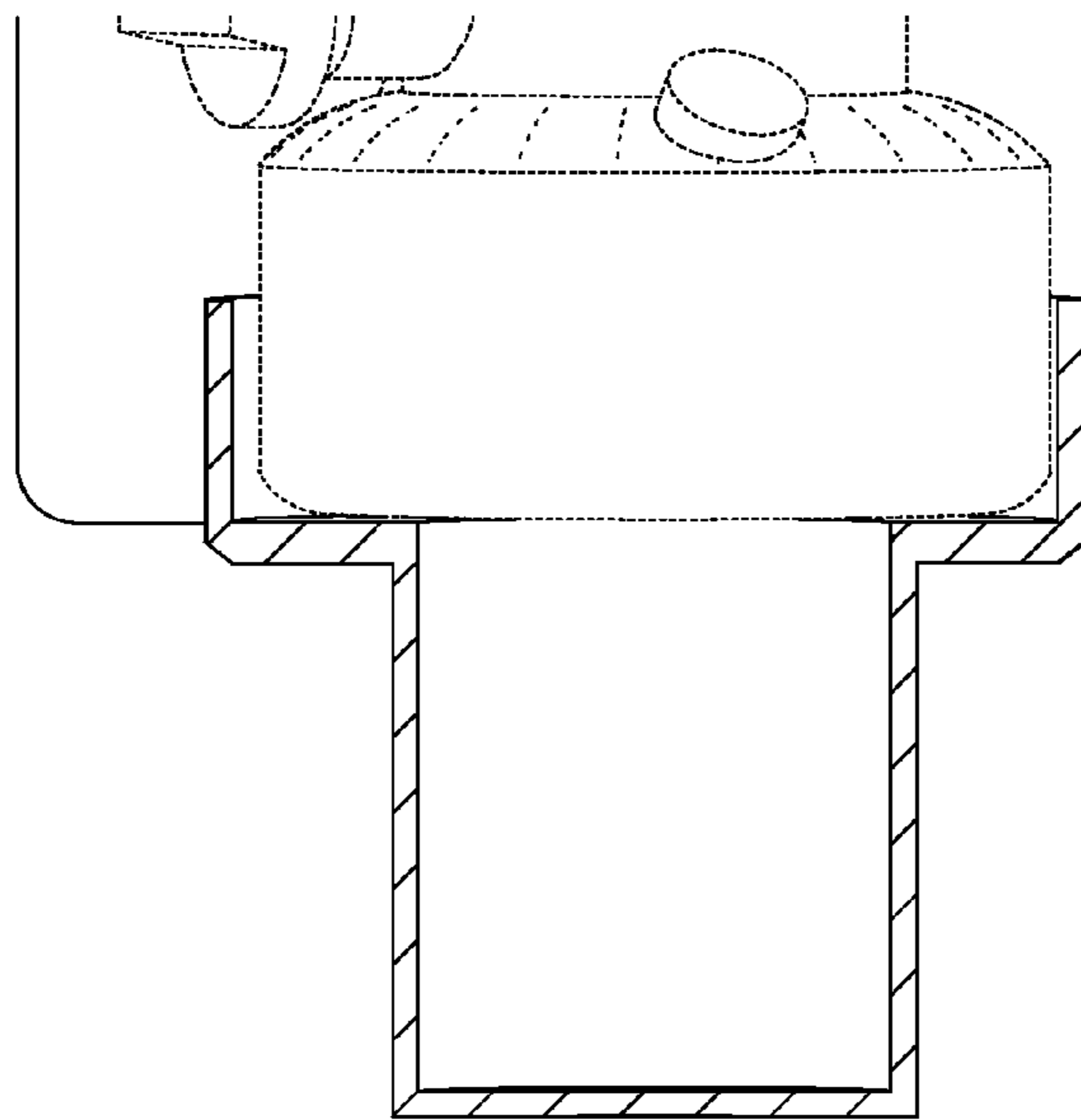


FIG. 13

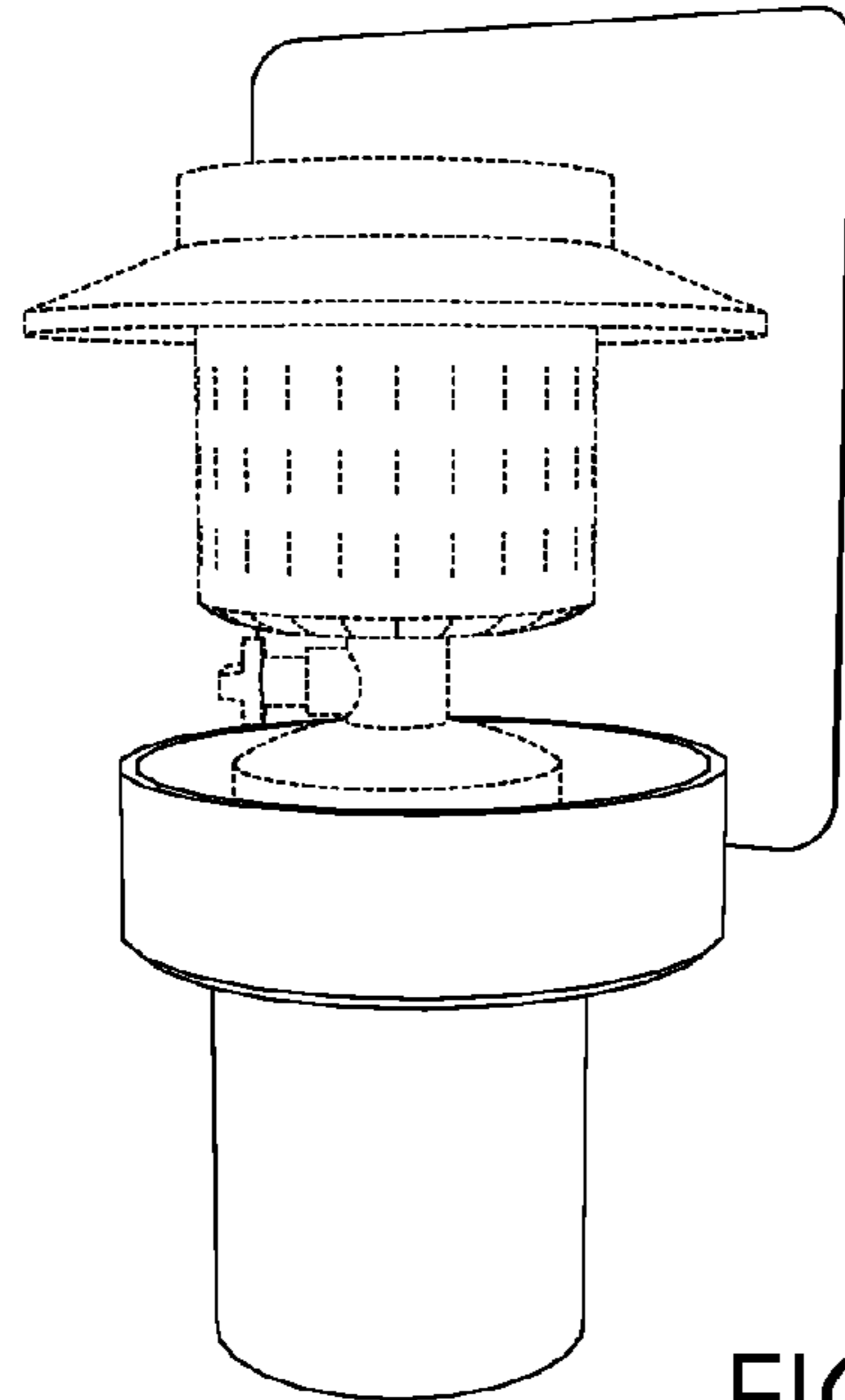


FIG. 14

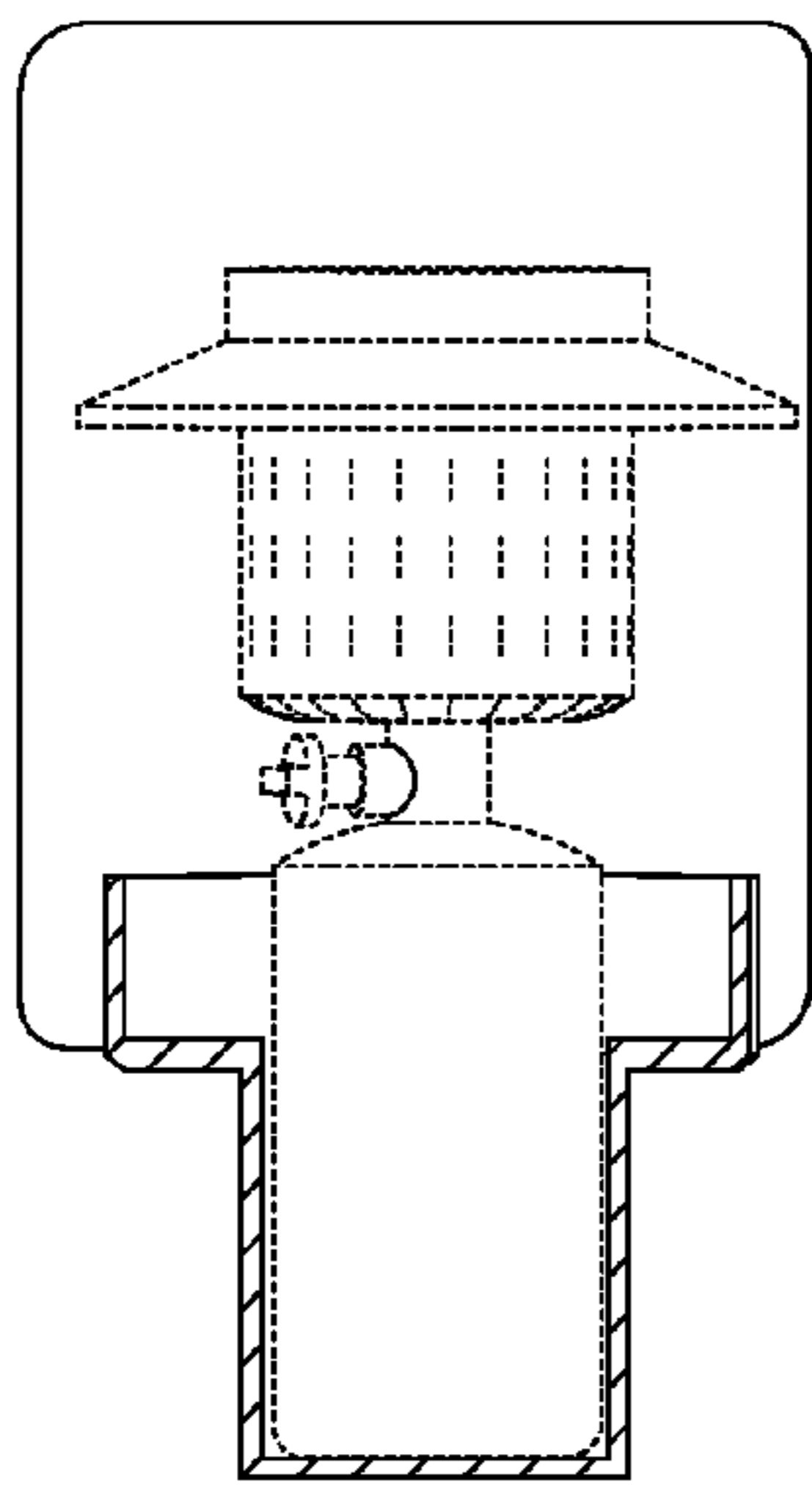


FIG. 15

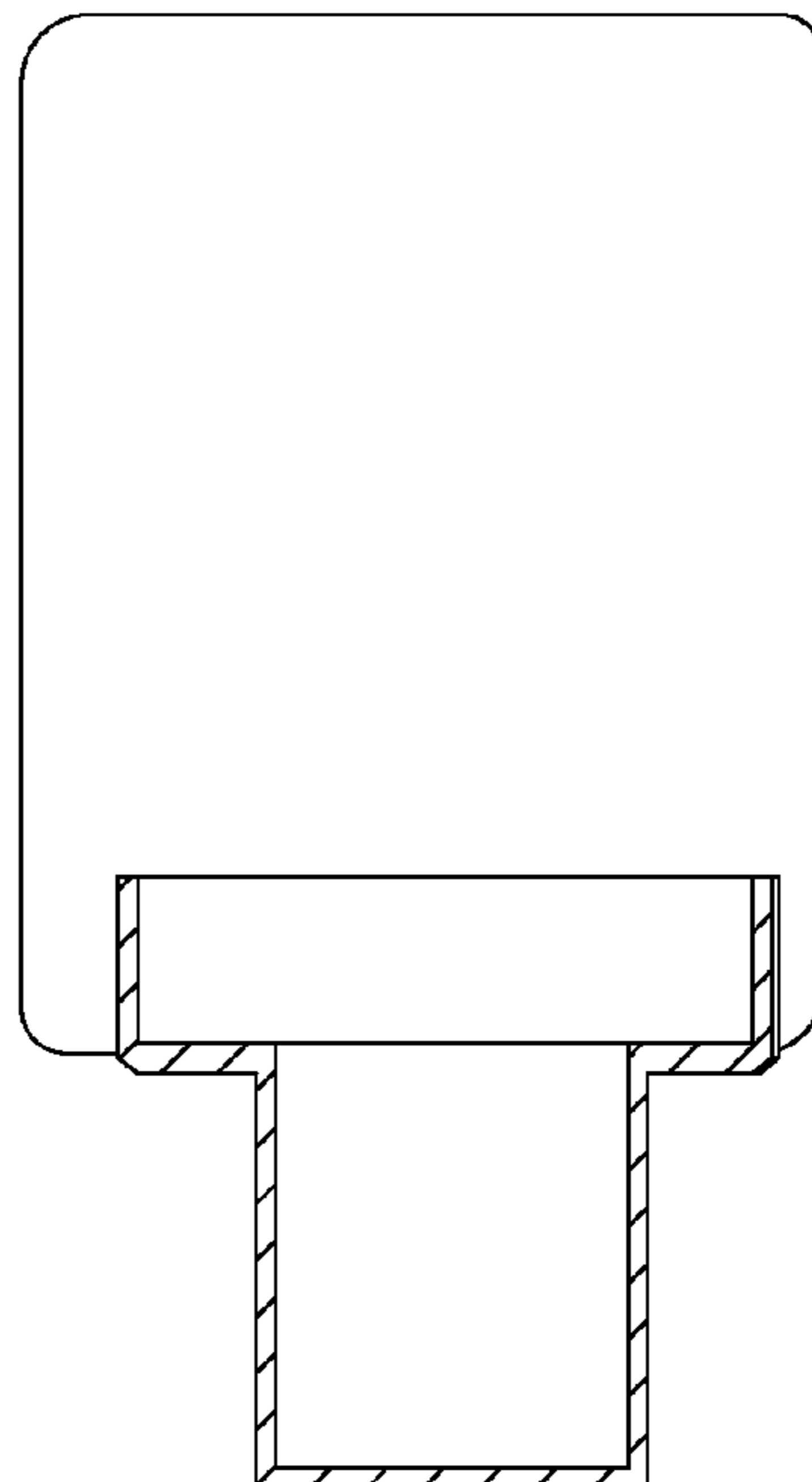


FIG. 16

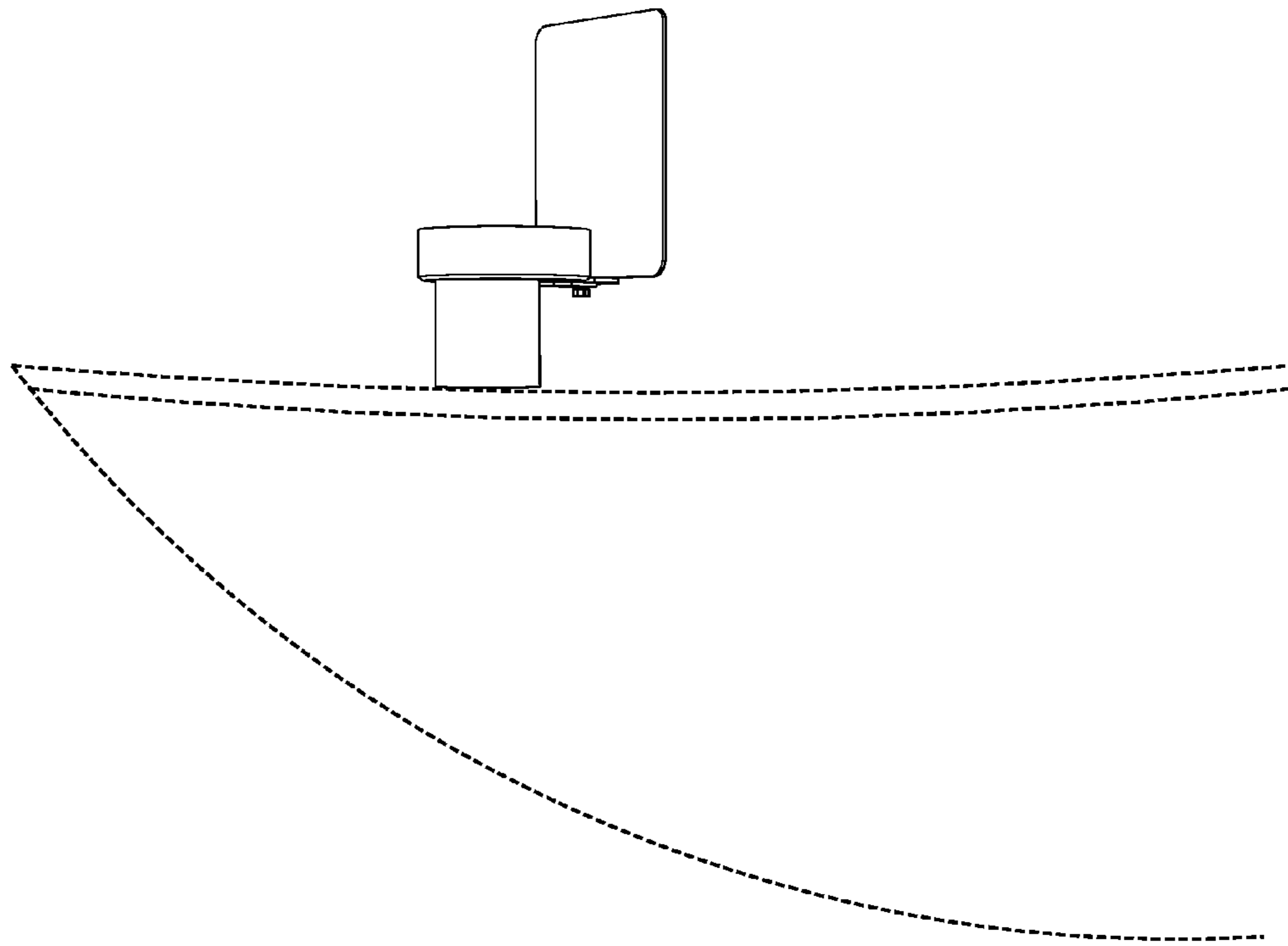


FIG. 17