



US00D699389S

(12) **United States Design Patent**  
**Nevins**

(10) **Patent No.:** **US D699,389 S**

(45) **Date of Patent:** **\*\* Feb. 11, 2014**

(54) **HARP MOUNTING SYSTEM**

(71) Applicant: **Michael O. Nevins**, Jackson, MI (US)

(72) Inventor: **Michael O. Nevins**, Jackson, MI (US)

(\*\*) Term: **14 Years**

(21) Appl. No.: **29/432,655**

(22) Filed: **Sep. 18, 2012**

(51) **LOC (10) Cl.** ..... **26-99**

(52) **U.S. Cl.**  
USPC ..... **D26/138**

(58) **Field of Classification Search**  
USPC ..... D26/25, 26, 28, 31, 35, 36, 37, 41, 42,  
D26/50, 51, 52, 64, 66, 67, 73, 75, 78, 85,  
D26/88, 89, 90, 103-106, 109, 110, 119,  
D26/123, 125, 129, 131, 135, 136, 138, 140,  
D26/143, 144; D13/179, 180; 362/92, 130,  
362/132, 133, 183, 184, 190, 205, 216,  
362/217.05, 218, 220, 223, 224, 241, 247,  
362/249.03, 249.05-249.1, 249.11, 258,  
362/260, 285, 287, 294.02, 297, 327, 345,  
362/354, 373-379, 410, 418, 419, 510, 516,  
362/558, 561; 248/339, 557, 558; D8/354,  
D8/373, 377, 382; D25/60, 119, 124, 125;  
52/455; 349/59-62, 64-67, 113;  
438/15; 345/102; D12/406; D10/111,  
D10/114.1; D11/121, 125, 144, 145;  
428/11; 257/96, 97, 98, 99

See application file for complete search history.

(56) **References Cited**

U.S. PATENT DOCUMENTS

6,083,021	A *	7/2000	Lau	.....	439/227
6,390,646	B1 *	5/2002	Yan	.....	362/260
6,488,386	B1 *	12/2002	Yan	.....	362/216
D482,464	S *	11/2003	Baldo et al.	.....	D26/3
D510,448	S *	10/2005	Egawa	.....	D26/3
7,256,539	B2 *	8/2007	Yu	.....	313/493
D650,928	S *	12/2011	Yeh	.....	D26/3
8,258,684	B1 *	9/2012	Zimmerman	.....	313/49

\* cited by examiner

*Primary Examiner* — Zenia Bennett

(74) *Attorney, Agent, or Firm* — Lowe Hauptman & Ham, LLP

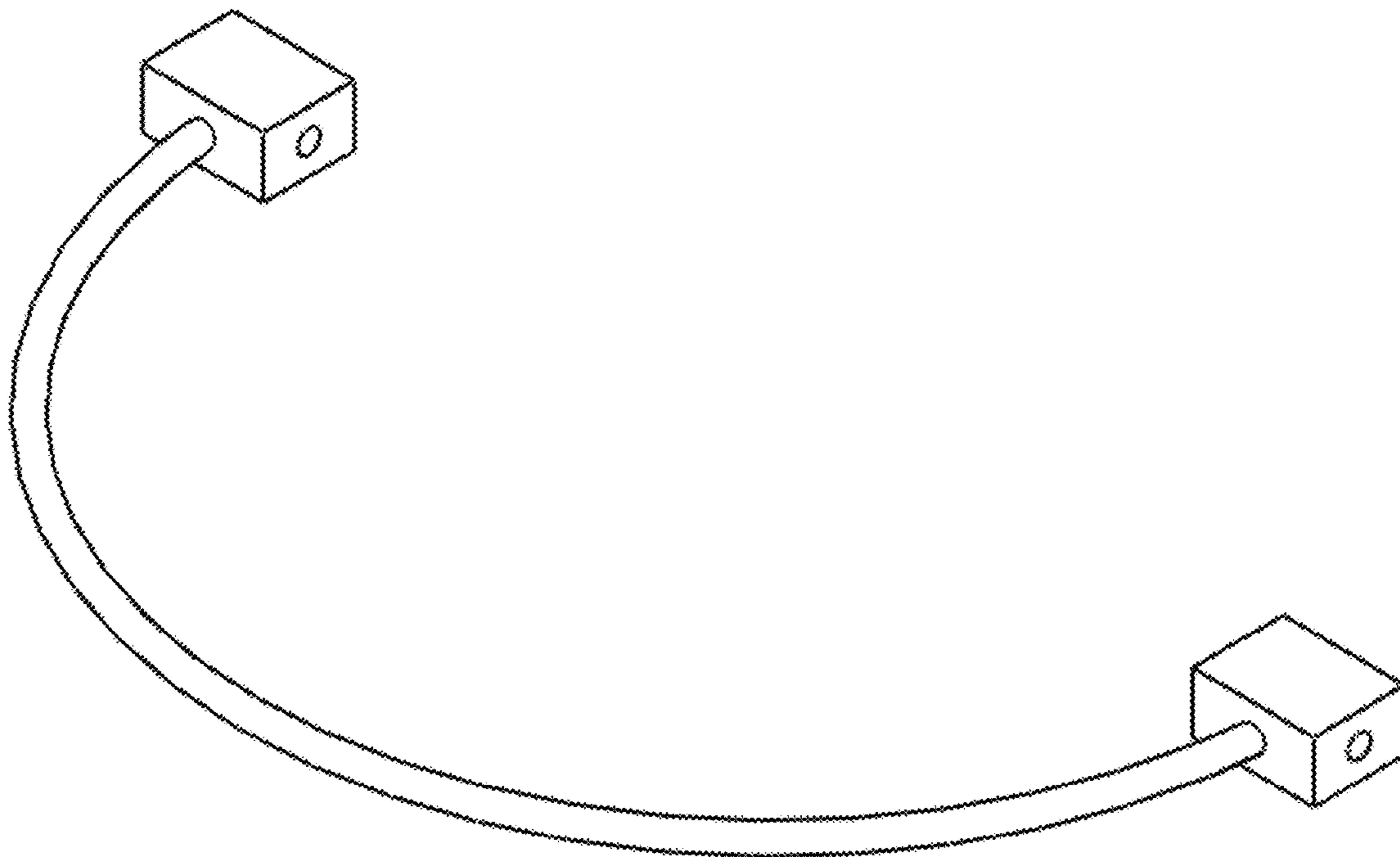
(57) **CLAIM**

I claim the new, original, ornamental design for a harp mounting system, as shown.

**DESCRIPTION**

FIG. 1 is a perspective view of the harp mounting system; FIG. 2 is a front end view of the harp mounting system; FIG. 3 is a right side view of the harp mounting system, the left side view being a mirror image thereof; and, FIG. 4 is a top view of the harp mounting system, the bottom view being a mirror image thereof.

**1 Claim, 4 Drawing Sheets**



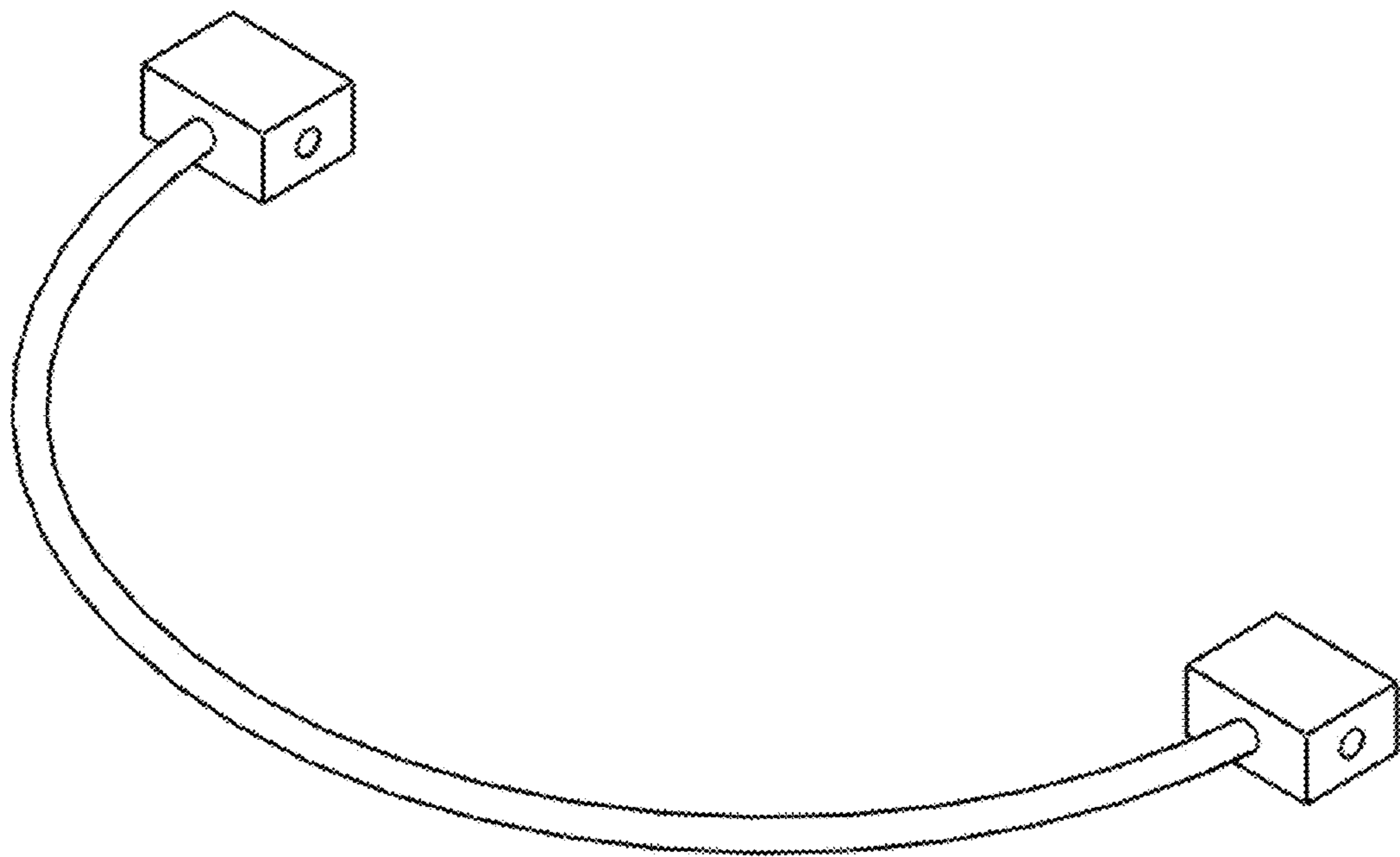


FIG. 1

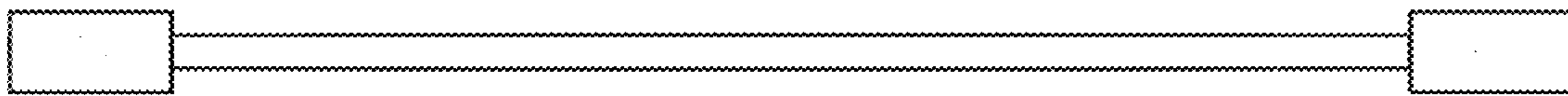


FIG. 2

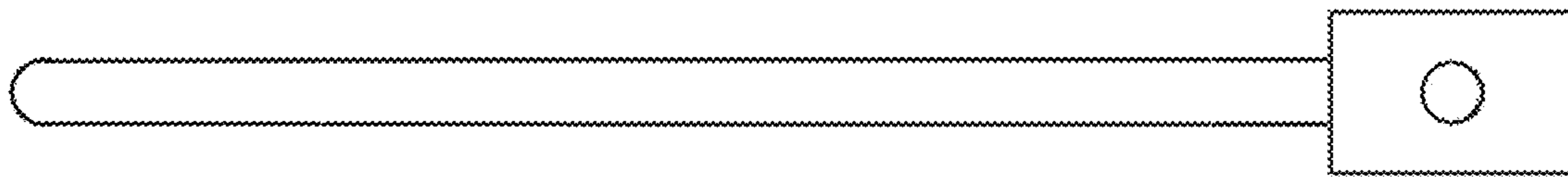


FIG. 3

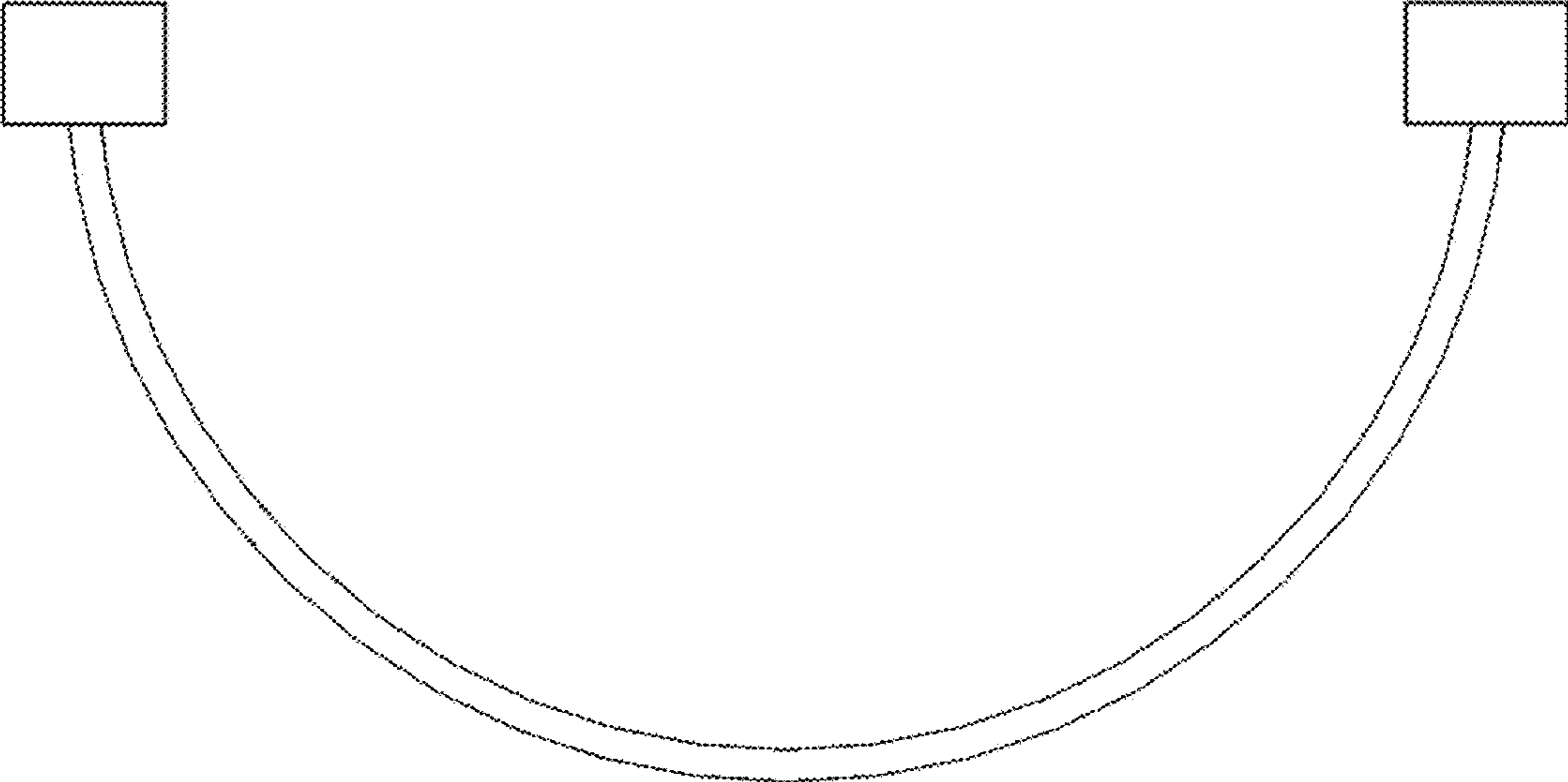


FIG. 4