



US00D699387S

(12) **United States Design Patent**
Snell et al.

(10) **Patent No.:** **US D699,387 S**

(45) **Date of Patent:** **** Feb. 11, 2014**

(54) **LAMP**

(71) Applicant: **Cree, Inc.**, Durham, NC (US)

(72) Inventors: **Nathan R. Snell**, Raleigh, NC (US);
Spencer Scott Pratt, Cary, NC (US);
James Michael Lay, Apex, NC (US)

(73) Assignee: **Cree, Inc.**, Durham, NC (US)

(**) Term: **14 Years**

(21) Appl. No.: **29/449,729**

(22) Filed: **Mar. 15, 2013**

Related U.S. Application Data

(63) Continuation of application No. 29/431,628, filed on Sep. 10, 2012, now abandoned.

(51) **LOC (10) Cl.** **26-99**

(52) **U.S. Cl.**
USPC **D26/124**

(58) **Field of Classification Search**
USPC D26/152, 113, 118, 119, 154, 61, 62,
D26/65, 75, 16, 1, 2, 3, 120, 138, 128, 155,
D26/76, 121, 124, 125, 123, 141, 142, 66,
D26/68, 86, 71, 72, 77, 78, 151, 145, 74, 85,
D26/89, 82, 84, 92, 87, 136, 63, 59, 58, 28,
D26/88, 11, 9, 22, 81, 127, 129, 130, 131,
D26/133, 134, 135, 55; D13/179, 180;
362/219, 223, 225, 347, 346, 373, 326,
362/283, 249.02, 362, 374, 375, 408, 327,
362/328, 404, 297, 147, 149, 249.03,
362/249.11; D23/377, 411, 413; D11/89,
D11/90

See application file for complete search history.

(56) **References Cited**

U.S. PATENT DOCUMENTS

D115,970 S * 8/1939 Stewart D26/124
D381,454 S * 7/1997 Lecluze D26/118
D386,805 S * 11/1997 Bonnette et al. D26/74

(Continued)

OTHER PUBLICATIONS

U.S. Appl. No. 13/365,844, filed Feb. 3, 2012, Pickard et al.

(Continued)

Primary Examiner — Kevin Rudzinski

(74) *Attorney, Agent, or Firm* — Burr & Brown, PLLC

(57) **CLAIM**

The ornamental design for a lamp, as shown and described.

DESCRIPTION

FIG. 1 is a top perspective view of a first embodiment of a lamp in accordance with my new design;

FIG. 2 is a front view thereof;

FIG. 3 is a back view thereof;

FIG. 4 is a left side view thereof;

FIG. 5 is a right side view thereof;

FIG. 6 is a top view thereof;

FIG. 7 is a bottom view thereof;

FIG. 8 is a bottom perspective view thereof;

FIG. 9 is a top perspective view of a second embodiment of a lamp in accordance with my new design;

FIG. 10 is a front view thereof;

FIG. 11 is a back view thereof;

FIG. 12 is a left side view thereof;

FIG. 13 is a right side view thereof;

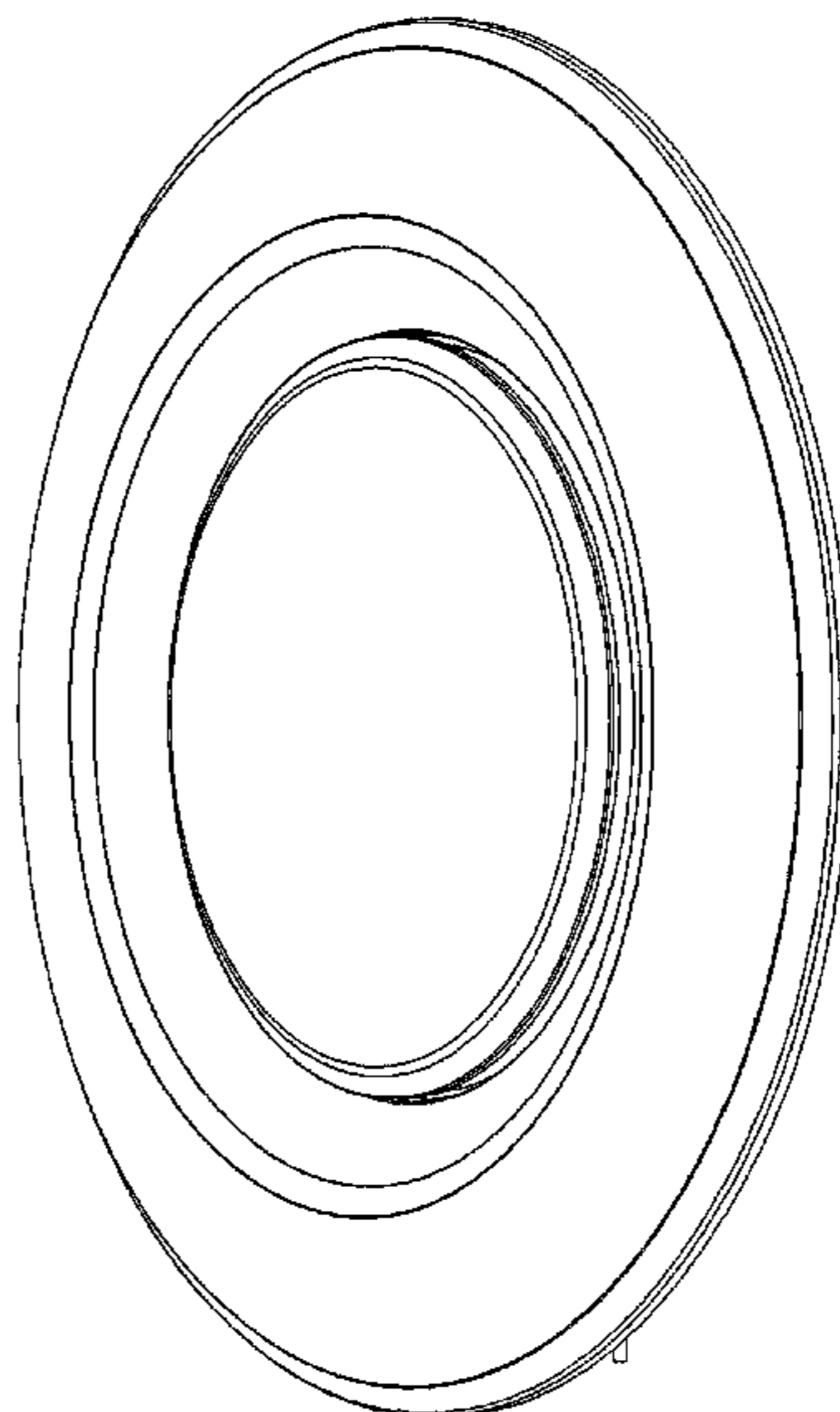
FIG. 14 is a top view thereof;

FIG. 15 is a bottom view thereof; and,

FIG. 16 is a bottom perspective view thereof.

The broken lines in the drawings illustrating portions of the lamp are included to demonstrate environmental features and form no part of the claimed design.

1 Claim, 16 Drawing Sheets



(56)

References Cited

U.S. PATENT DOCUMENTS

D437,654 S * 2/2001 Chen D26/74
 D469,211 S * 1/2003 Homann D26/118
 D471,312 S * 3/2003 Homann D26/118
 D476,108 S * 6/2003 Lecluze D26/74
 D544,629 S * 6/2007 Benensohn D26/79
 D548,391 S * 8/2007 Lecluze D26/138
 D562,489 S * 2/2008 Rashidi D26/74
 D570,532 S * 6/2008 Camarota D26/120
 D581,089 S * 11/2008 St-Hilaire D26/118
 7,458,706 B1 12/2008 Liu et al.
 D595,005 S * 6/2009 Chou D26/74
 D624,691 S * 9/2010 Zhang et al. D26/138
 7,810,960 B1 10/2010 Soderman et al.
 7,878,692 B2 2/2011 Soderman et al.
 D636,921 S * 4/2011 Van de Ven et al. D26/74
 D636,922 S * 4/2011 Yoshida et al. D26/74
 D638,160 S * 5/2011 Van De Ven et al. D26/74
 D656,262 S * 3/2012 Yoshinobu et al. D26/74

8,142,057 B2 * 3/2012 Roos et al. 362/364
 D658,802 S * 5/2012 Chen D26/74
 8,201,968 B2 6/2012 Maxik et al.
 D663,888 S * 7/2012 Davis D26/138
 D665,117 S * 8/2012 Yoshida et al. D26/74
 D668,809 S * 10/2012 Rashidi D26/74
 D683,882 S * 6/2013 Rashidi D26/74
 D684,289 S * 6/2013 Goelz et al. D26/74
 2009/0086474 A1 * 4/2009 Chou 362/230
 2010/0039829 A1 * 2/2010 Tsai 362/373
 2010/0110699 A1 * 5/2010 Chou 362/365
 2011/0080727 A1 * 4/2011 Maxik et al. 362/235
 2012/0182744 A1 * 7/2012 Santiago et al. 362/365

OTHER PUBLICATIONS

U.S. Appl. No. 13/826,271, filed Mar. 14, 2013, Pickard et al.
 Glimpse, Lighting Science, www.lsgc.com, Sep. 20, 2011, pp. 1-2.
 Glimpse, Lighting Science Group Corporation, Surface Mount LED
 Lighting Fixture, Sep. 2011, pp. 1-8.

* cited by examiner

Fig. 1

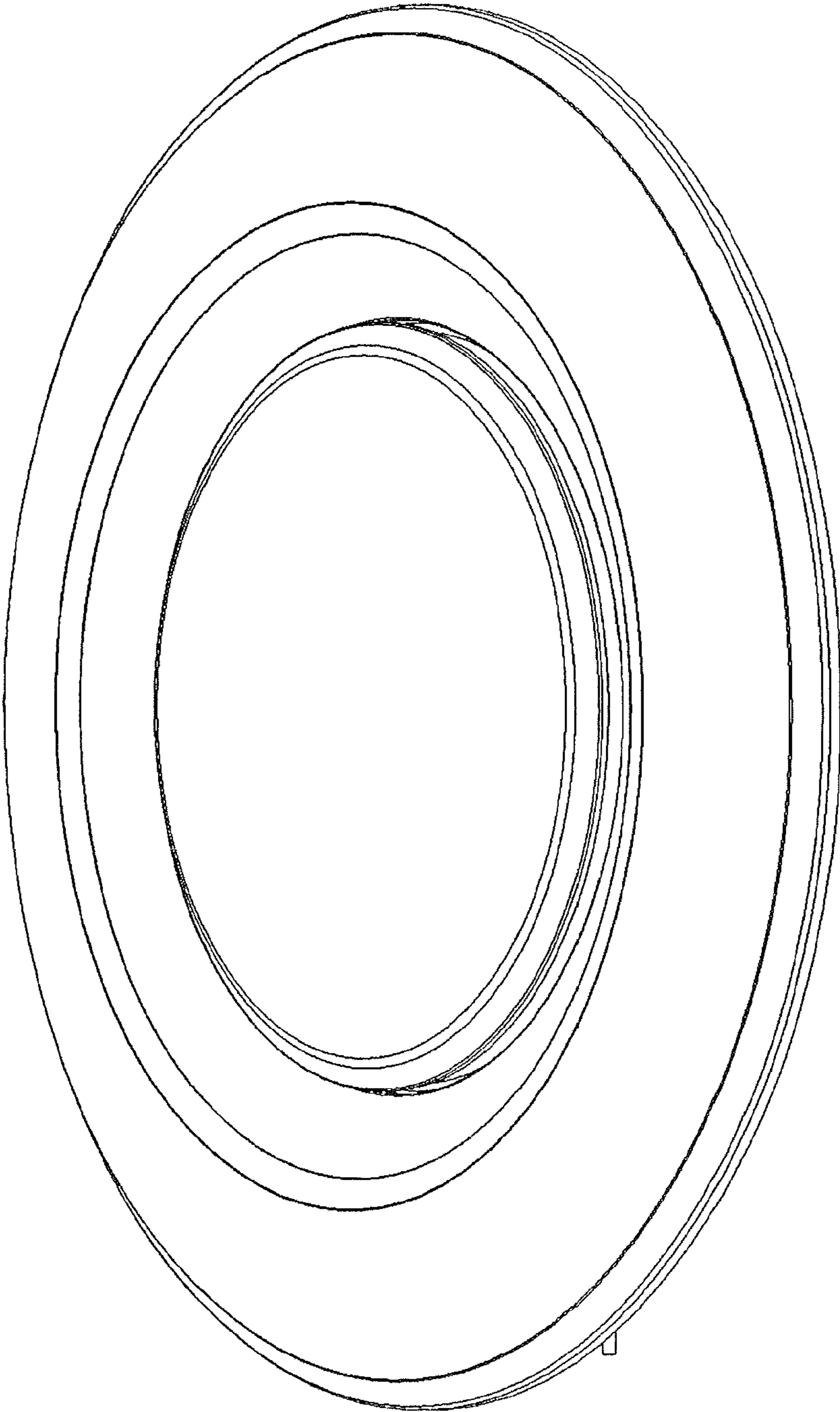


Fig. 2

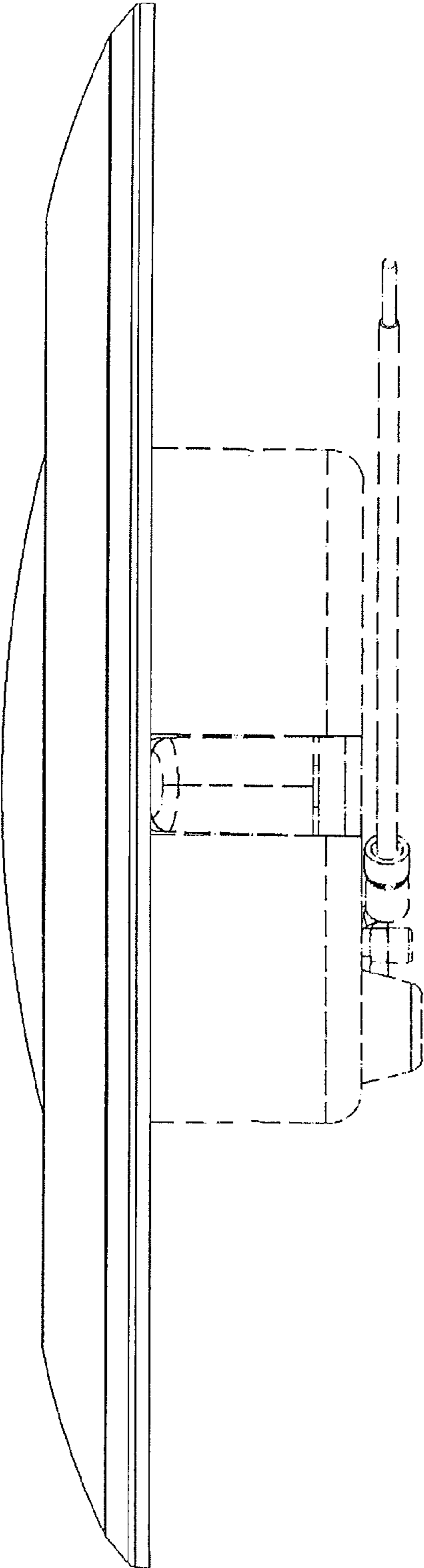


Fig. 3

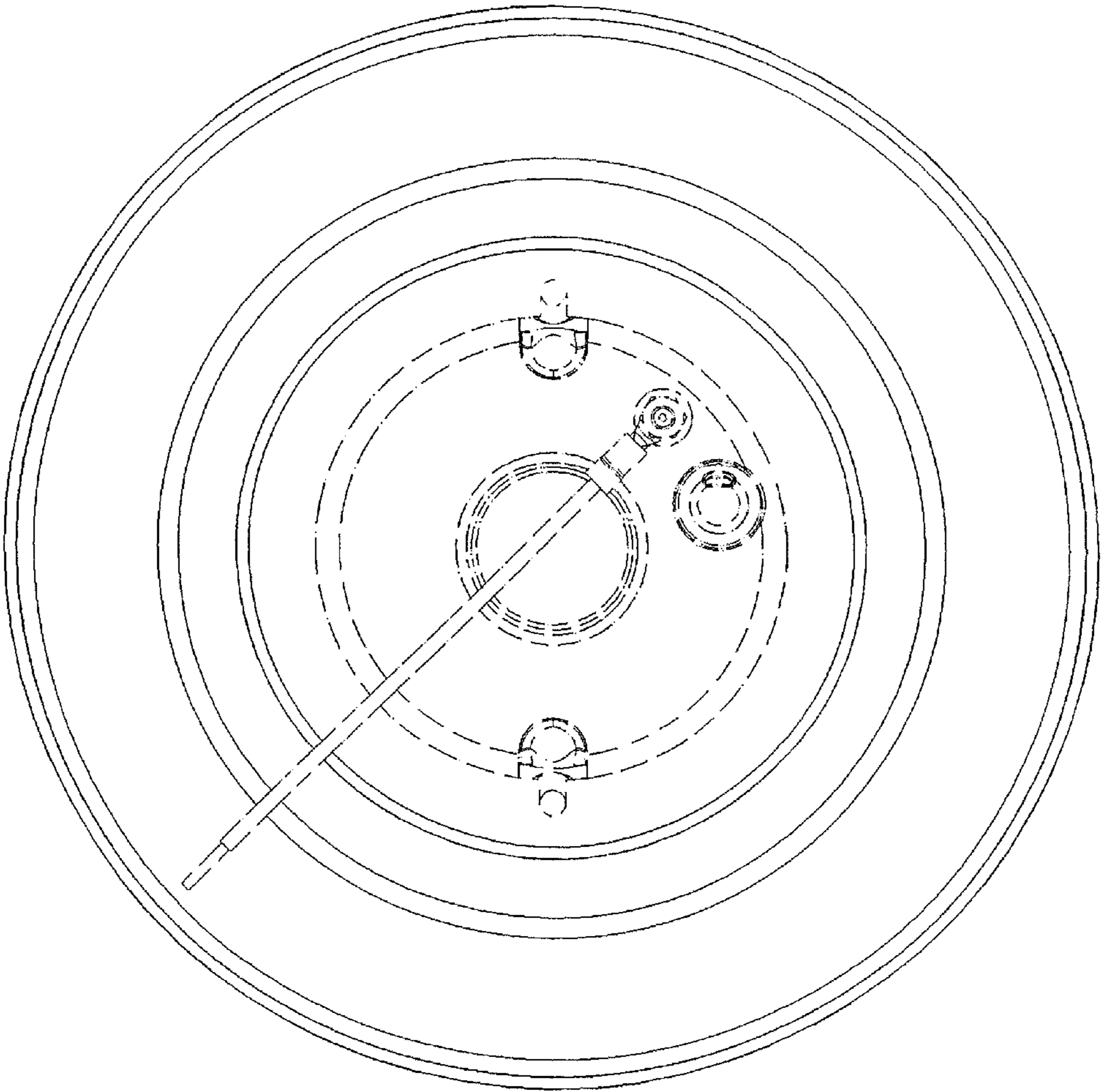


Fig. 4

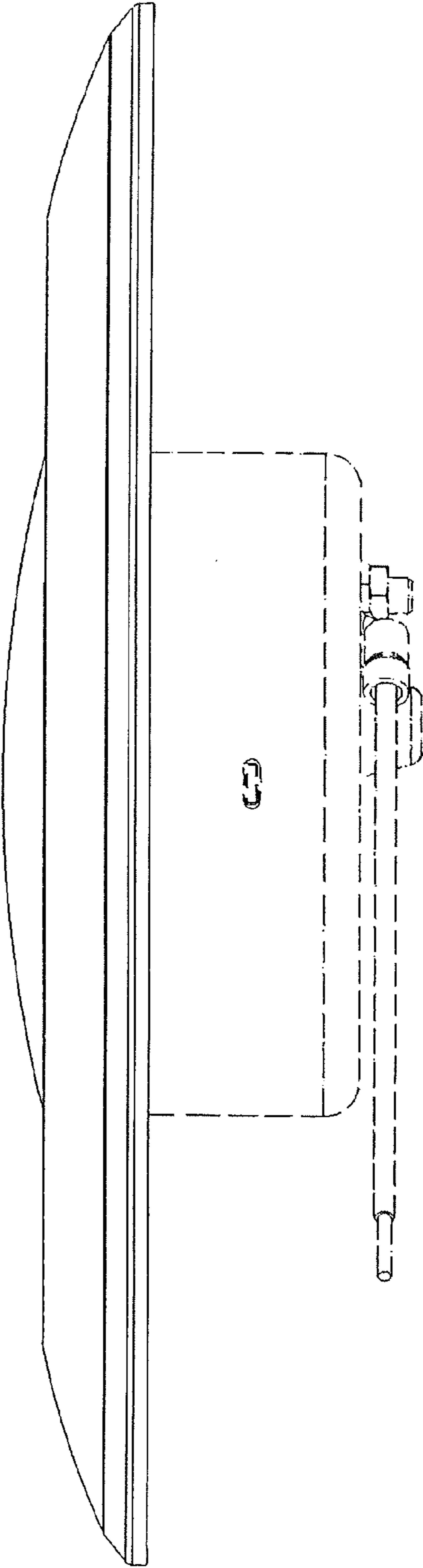


Fig. 5

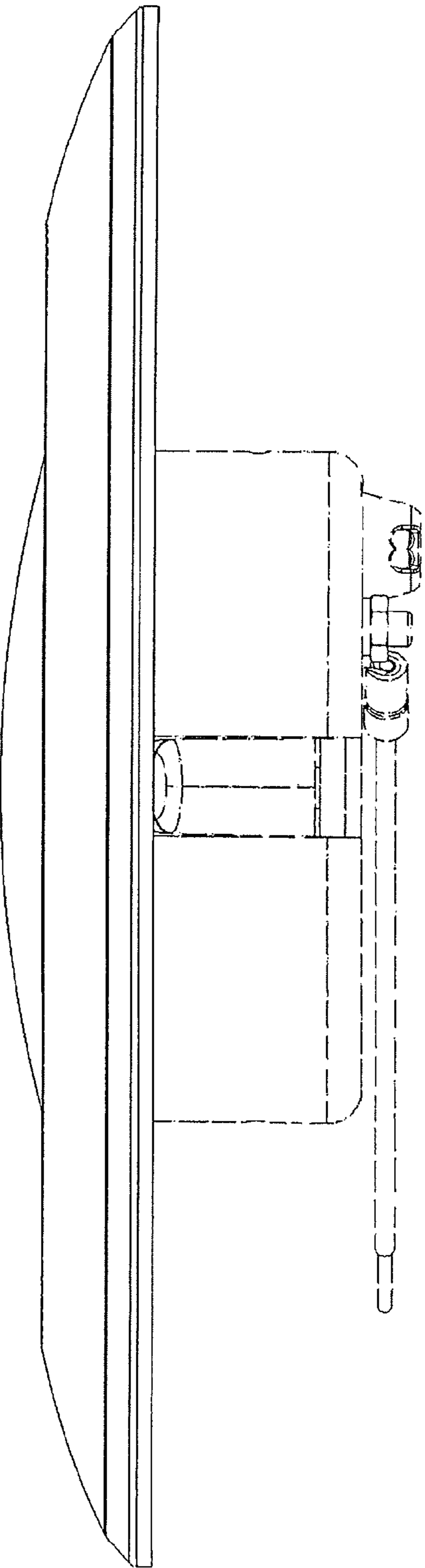


Fig. 6

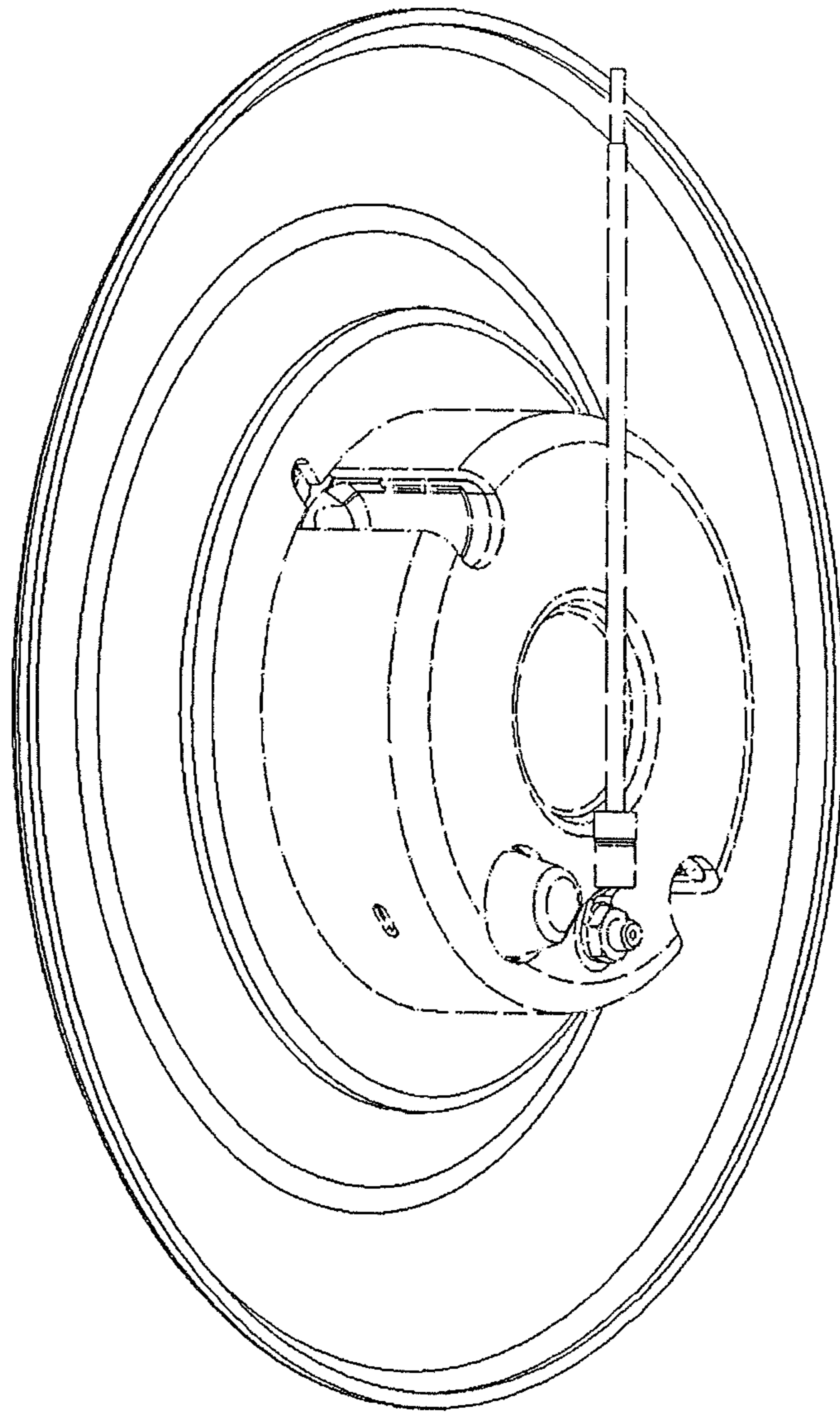


Fig. 7

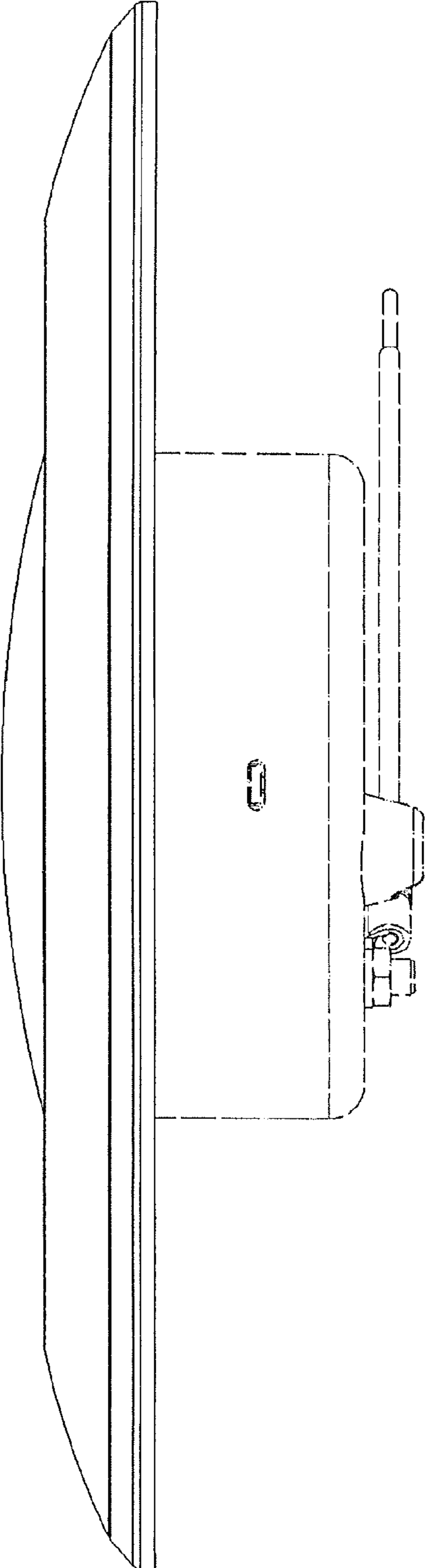


Fig. 8

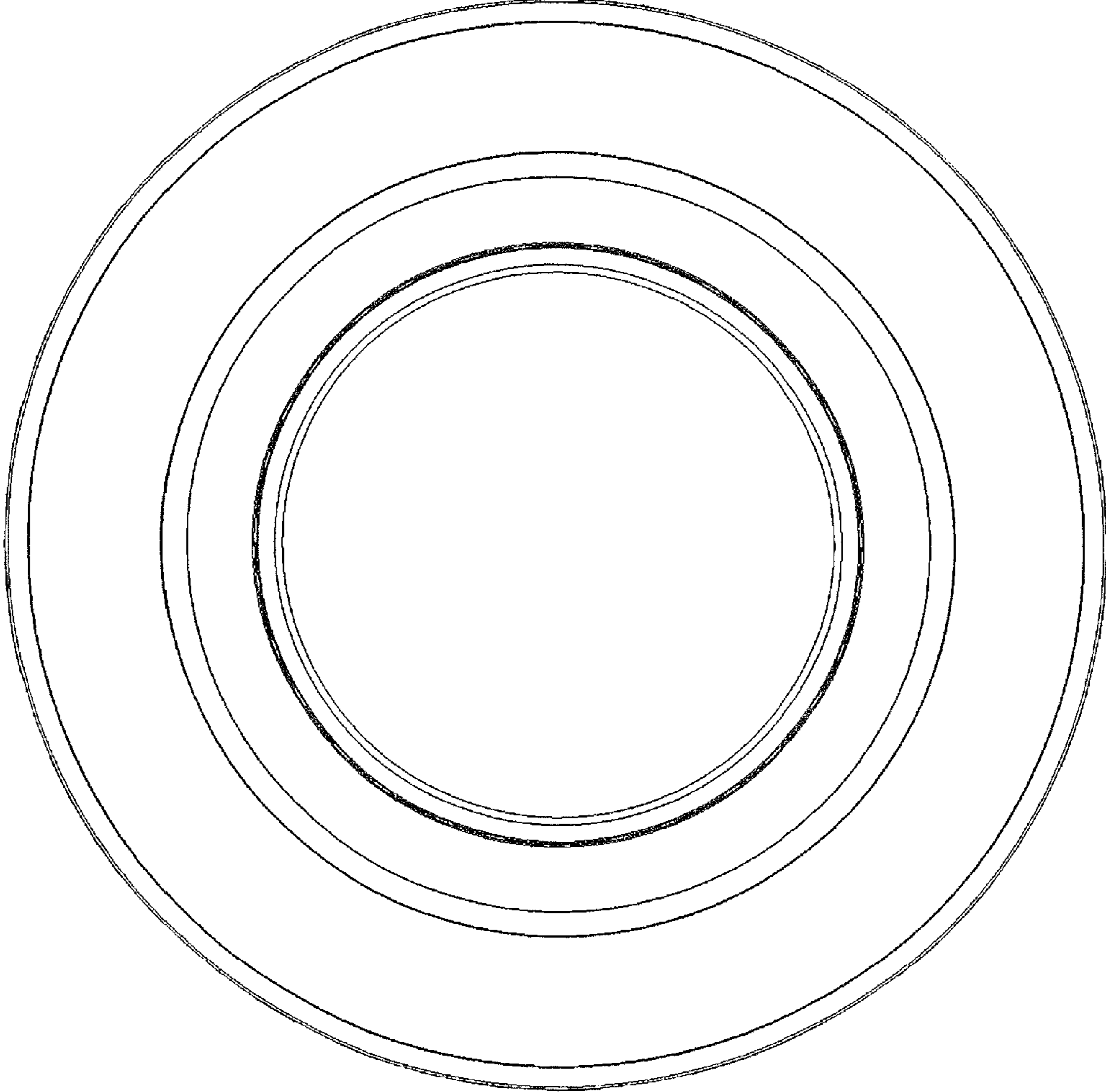


Fig. 9

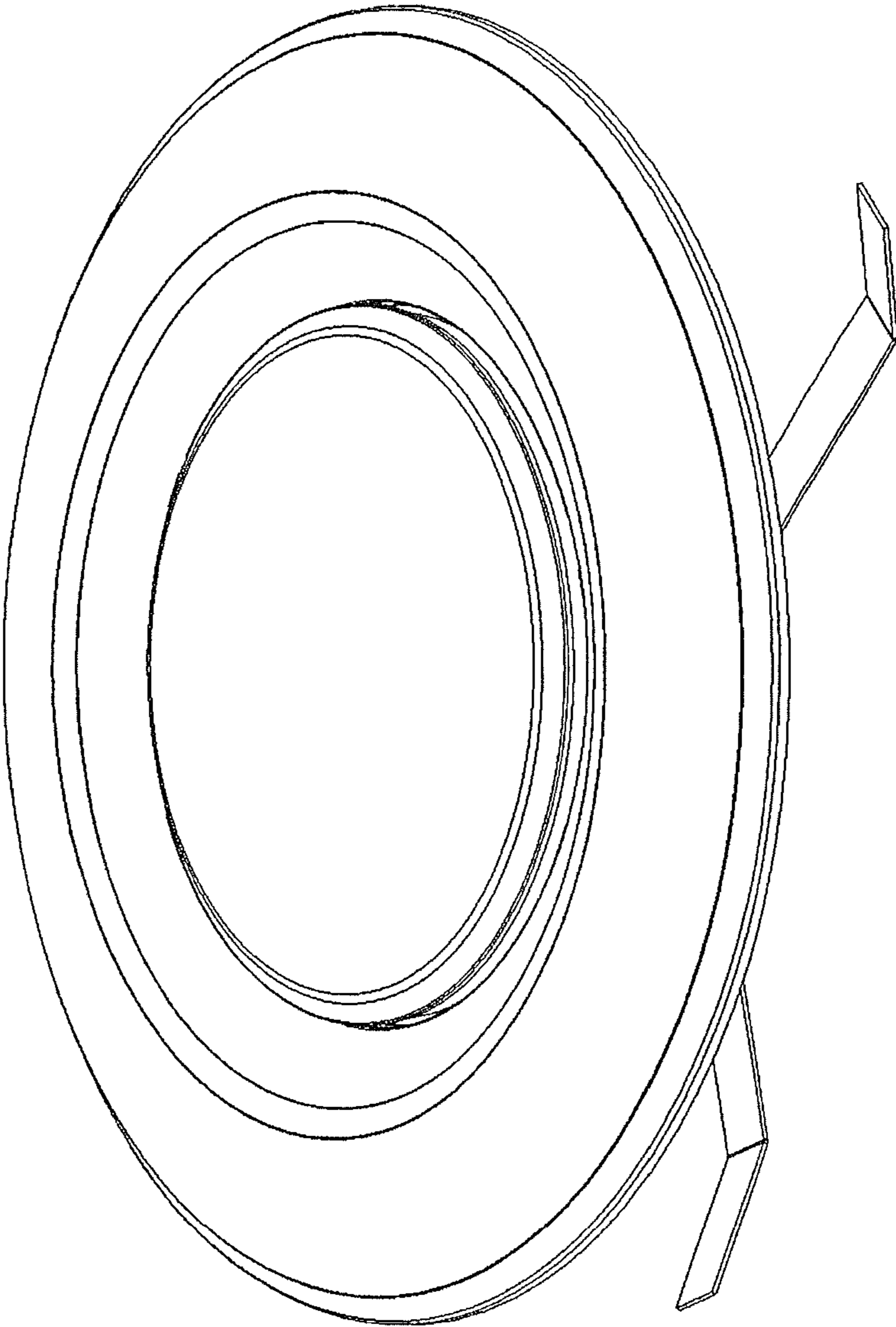


Fig. 10

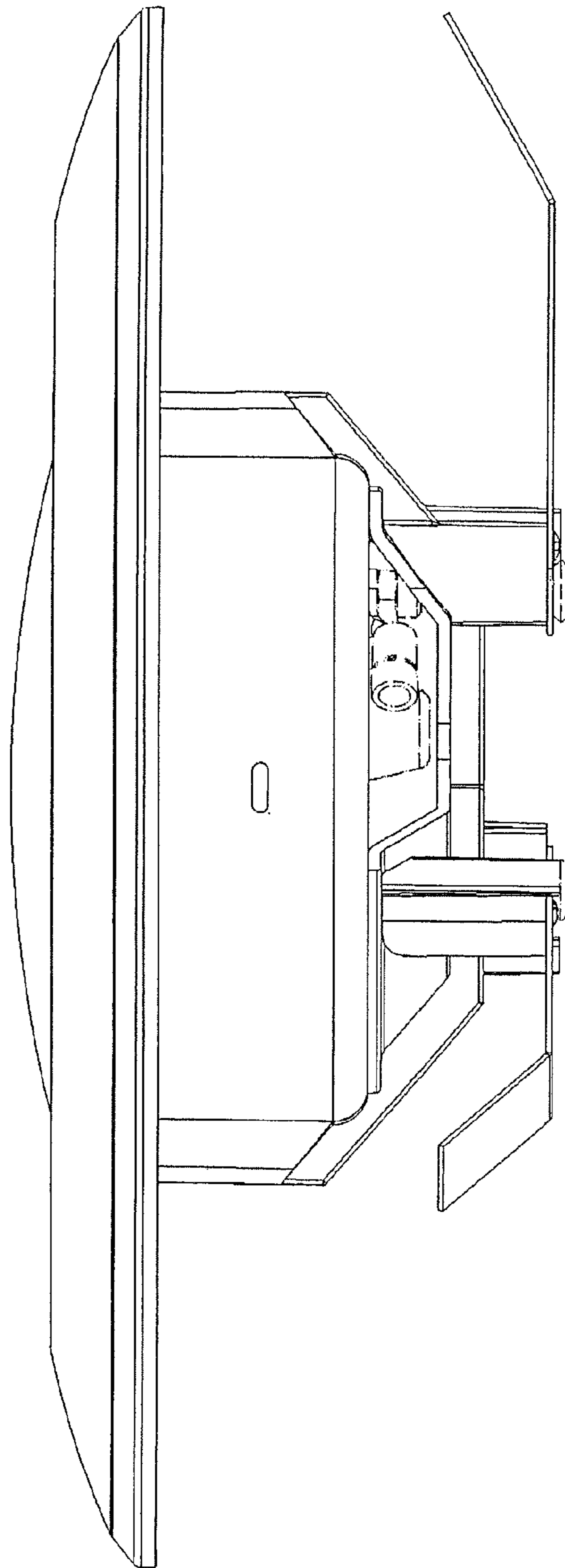


Fig. 11

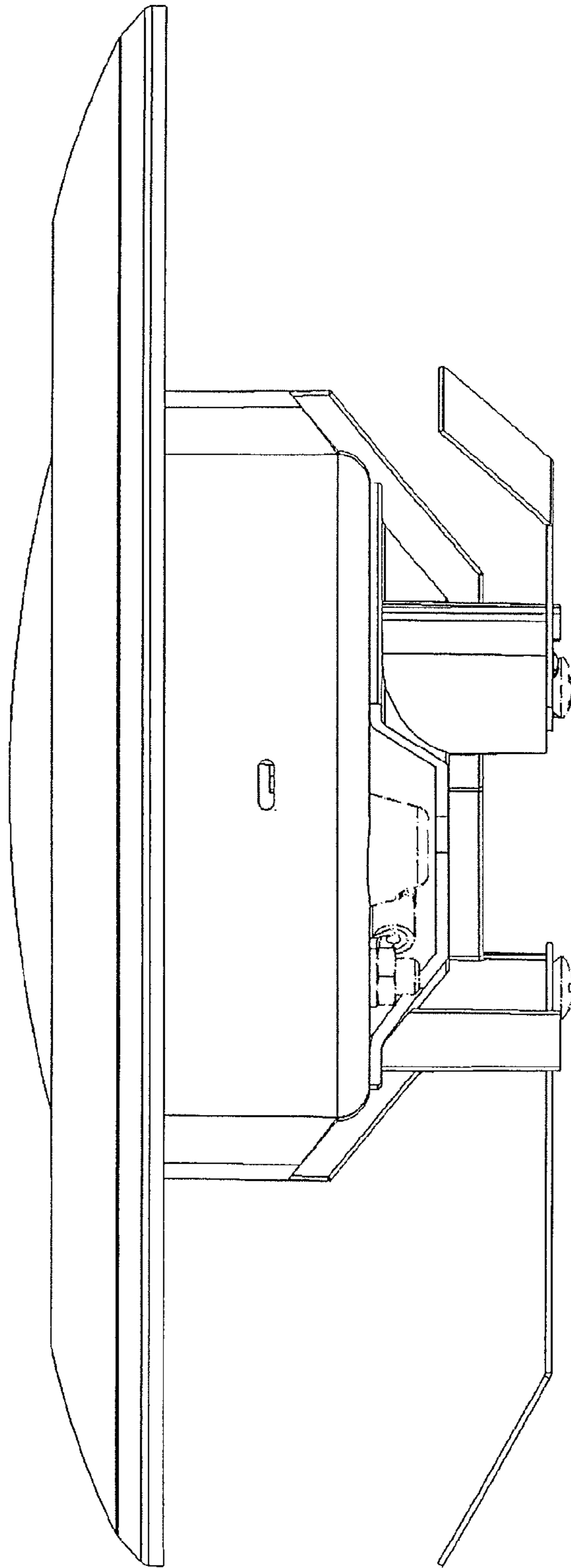


Fig. 12

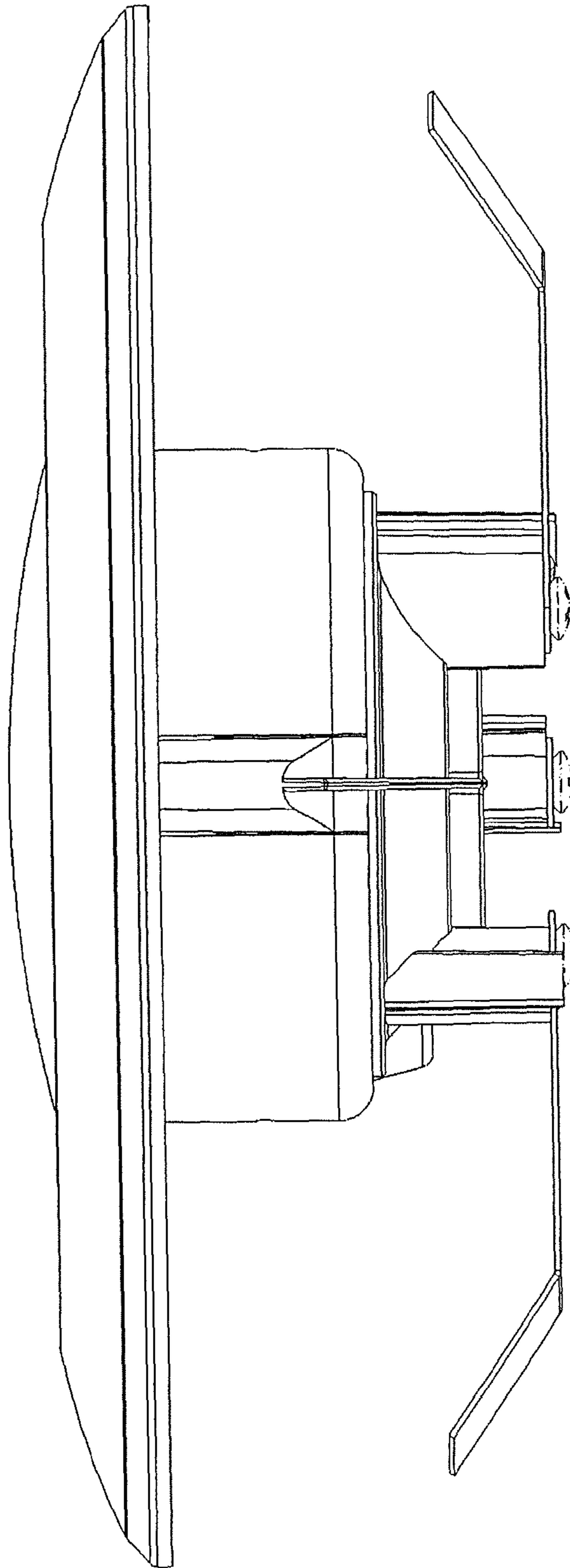


Fig. 13

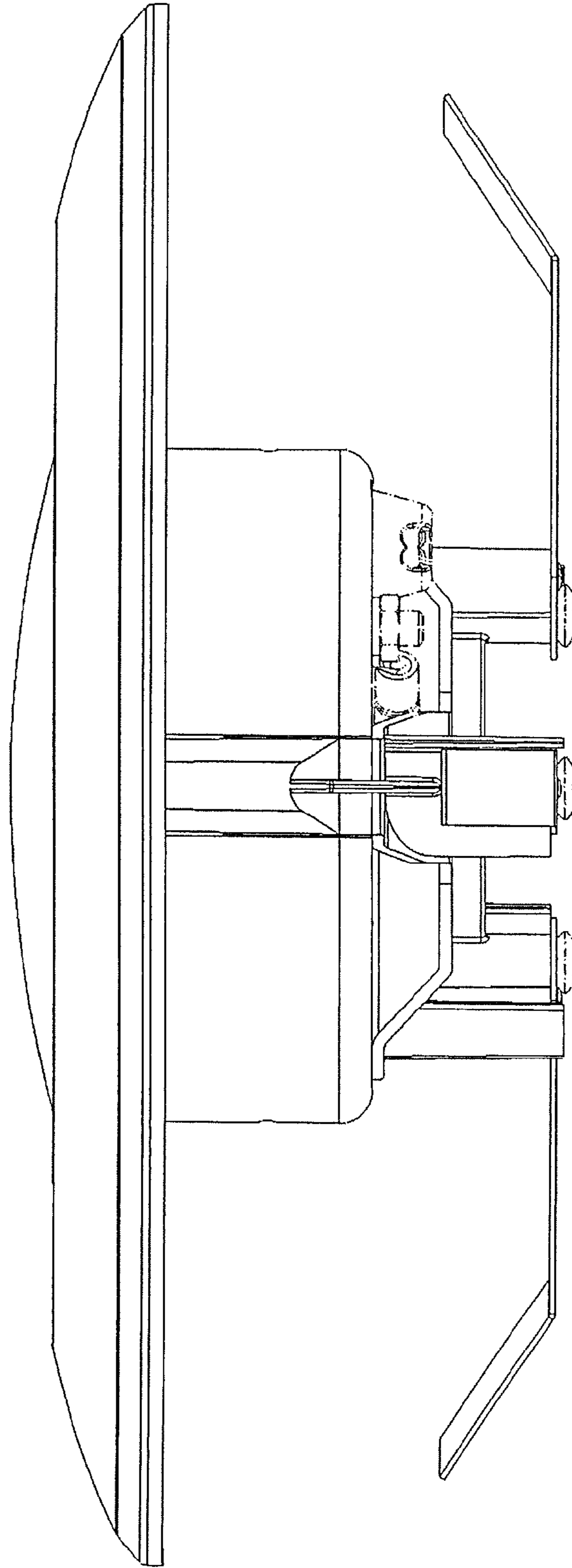


Fig. 14

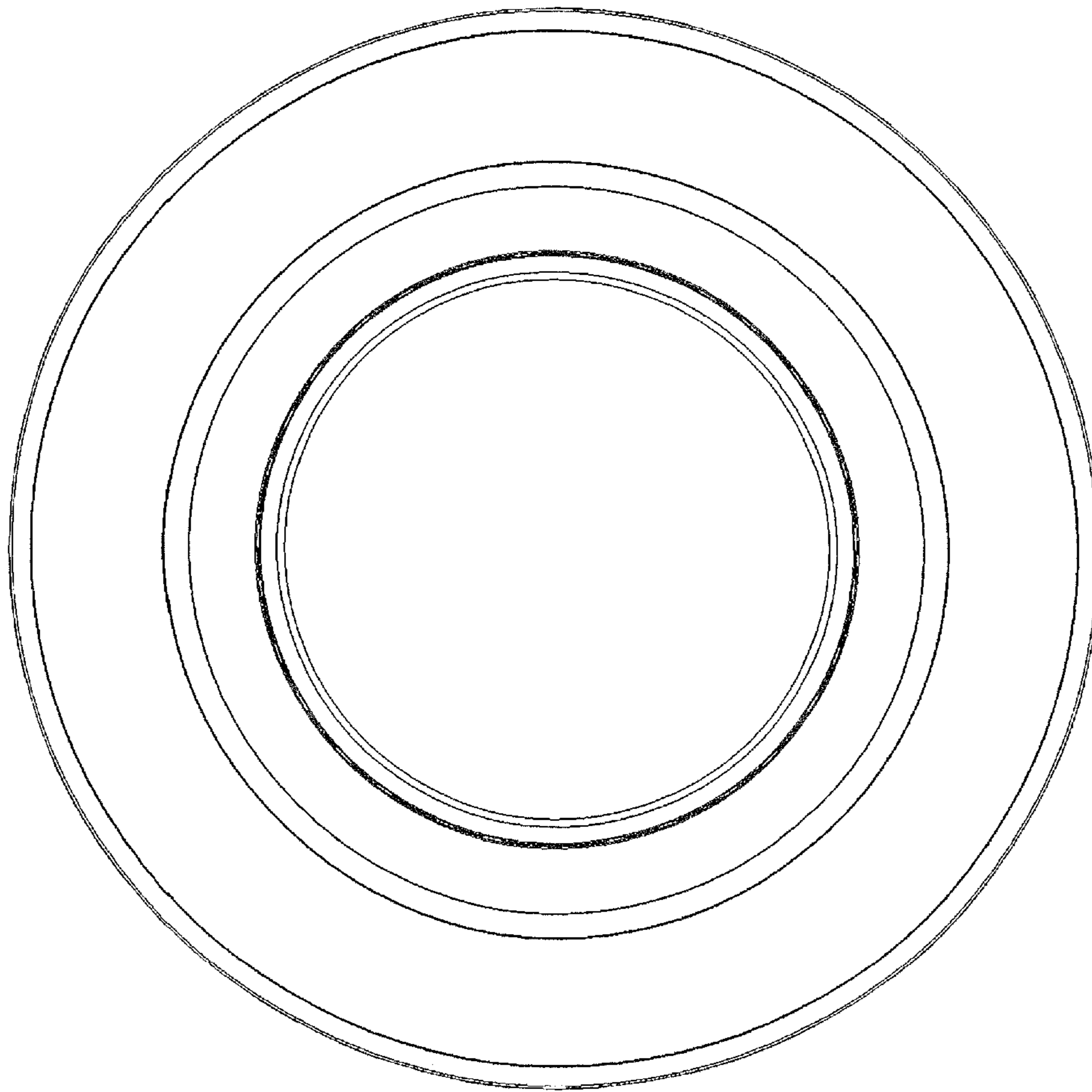


Fig. 15

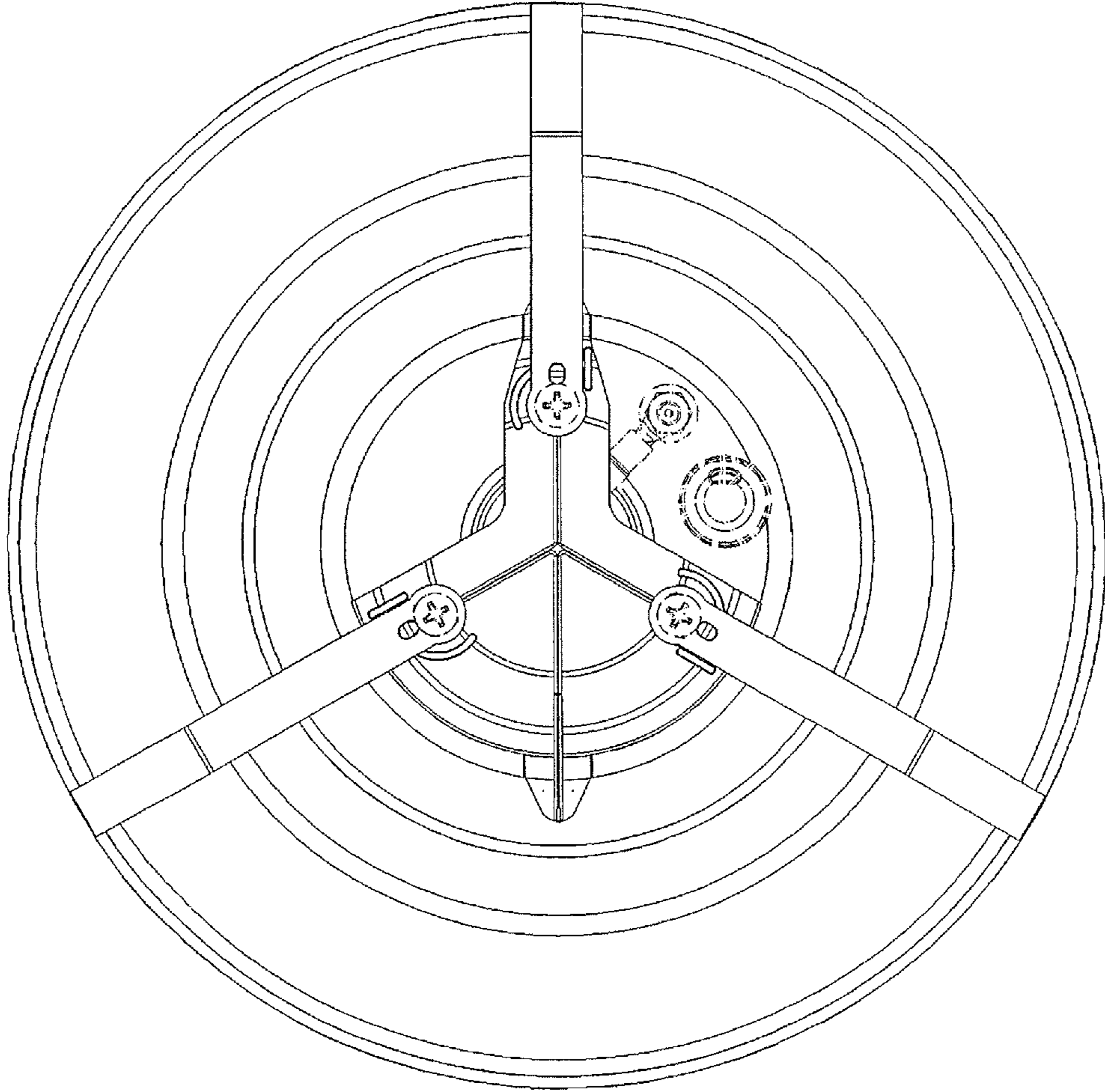


Fig. 16

