



US00D699386S

(12) **United States Design Patent**  
**Park et al.**

(10) **Patent No.:** **US D699,386 S**

(45) **Date of Patent:** **\*\* Feb. 11, 2014**

(54) **DIFFUSIVE FLOOD LIGHT PLATE FOR LIGHTING APPARATUS**

(71) Applicant: **POSCO LED Company Ltd.**,  
Seongnam-si (KR)  
(72) Inventors: **Hyun-Ku Park**, Seongnam-si (KR);  
**Jae-Young Choi**, Seongnam-si (KR)  
(73) Assignee: **POSCO LED Company Ltd.**,  
Seongnam-si (KR)

(\*\*) Term: **14 Years**  
(21) Appl. No.: **29/457,222**  
(22) Filed: **Jun. 7, 2013**

(30) **Foreign Application Priority Data**  
Apr. 9, 2013 (KR) ..... 30-2013-0018200  
(51) **LOC (10) Cl.** ..... **26-99**  
(52) **U.S. Cl.**  
USPC ..... **D26/118**  
(58) **Field of Classification Search**  
USPC ..... D26/152, 113, 118, 119, 154, 61, 62,  
D26/65, 75, 16, 1, 2, 3, 120, 138, 128, 155,  
D26/76, 121, 124, 125, 123, 141, 142, 66,  
D26/68, 86, 71, 72, 77, 78, 151, 145, 74, 85,  
D26/89, 82, 84, 92, 87, 136, 63, 59, 58, 28,  
D26/88, 11, 9, 22, 81, 127, 129, 130, 131,  
D26/133, 134, 135, 55; D13/179, 180;  
362/219, 223, 225, 347, 346, 373, 326,  
362/283, 249.02, 362, 374, 375, 408, 327,  
362/328, 404, 297, 147, 149, 249.03,  
362/249.11; D23/377, 411, 413; D11/89,  
D11/90, 96, 157, 160; D99/27, 26  
See application file for complete search history.

(56) **References Cited**  
U.S. PATENT DOCUMENTS

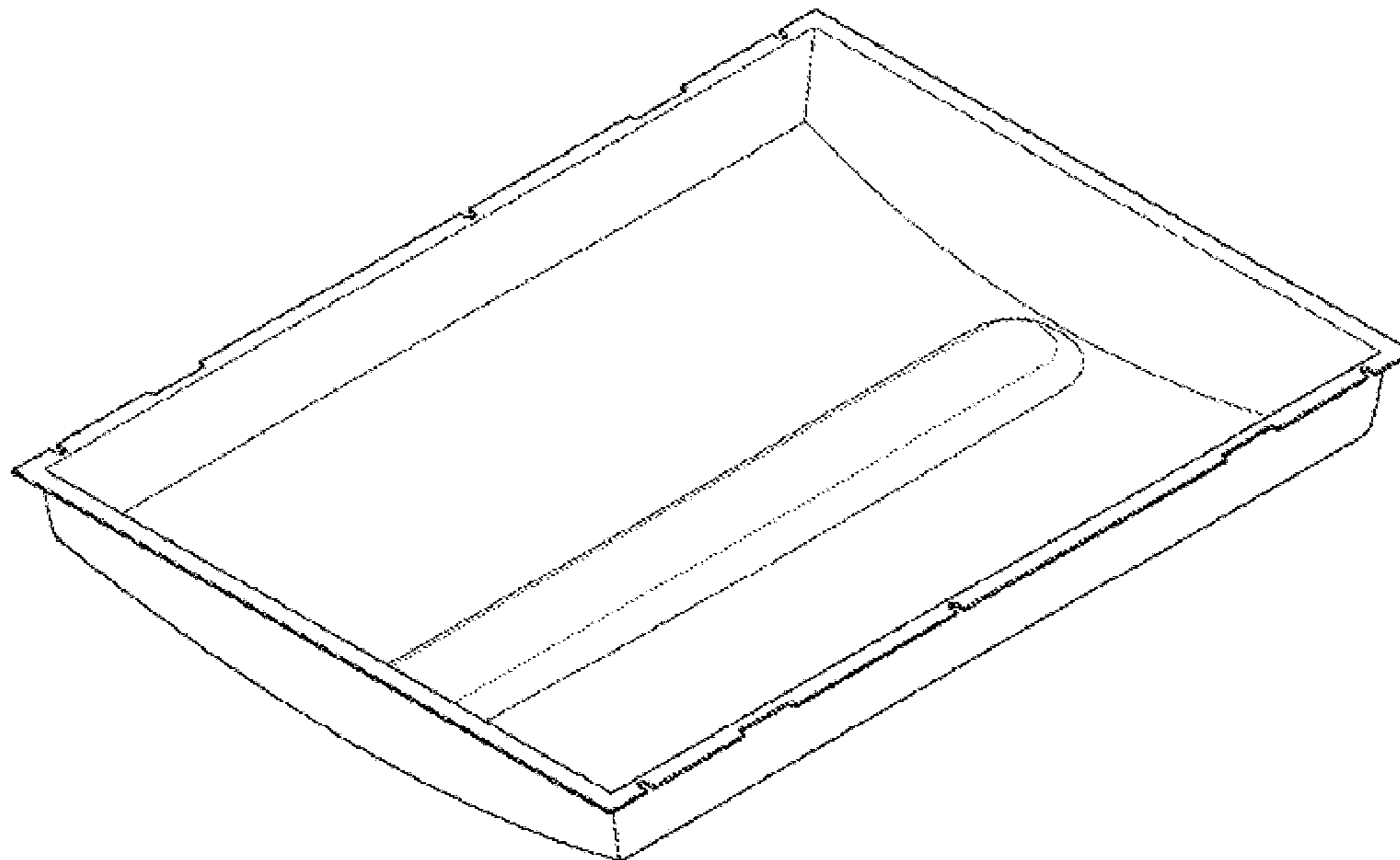
|           |     |         |              |       |         |
|-----------|-----|---------|--------------|-------|---------|
| 3,270,194 | A * | 8/1966  | Lee          | ..... | 362/218 |
| 4,175,360 | A * | 11/1979 | Mulvey       | ..... | 52/28   |
| 4,531,180 | A * | 7/1985  | Hernandez    | ..... | 362/297 |
| D348,534  | S * | 7/1994  | Herst et al. | ..... | D26/85  |
| D349,357  | S * | 8/1994  | Herst et al. | ..... | D26/85  |
| 5,988,829 | A * | 11/1999 | Holder       | ..... | 362/223 |
| 5,988,836 | A * | 11/1999 | Swarens      | ..... | 362/364 |
| 6,059,424 | A * | 5/2000  | Kotloff      | ..... | 362/220 |

(Continued)  
*Primary Examiner* — Kevin Rudzinski  
(74) *Attorney, Agent, or Firm* — H.C. Park & Associates,  
PLC

(57) **CLAIM**  
The ornamental design for a diffusive flood light plate for lighting apparatus, as shown and described.

**DESCRIPTION**  
FIG. 1 is a Top Perspective View of the diffusive flood light plate for lighting apparatus of the claimed design.  
FIG. 2 is a Front View of the diffusive flood light plate.  
FIG. 3 is a Rear View of the diffusive flood light plate.  
FIG. 4 is a Left Side View of the diffusive flood light plate.  
FIG. 5 is a Right Side View of the diffusive flood light plate.  
FIG. 6 is a Top Plan View of the diffusive flood light plate.  
FIG. 7 is a Bottom Plan View of the diffusive flood light plate.  
FIG. 8 is a cross sectional view of the diffusive flood light plate taken along line 8-8 of FIG. 6; and,  
FIG. 9 is a Bottom Perspective View of the diffusive flood light plate.

**1 Claim, 4 Drawing Sheets**



(56)

**References Cited**

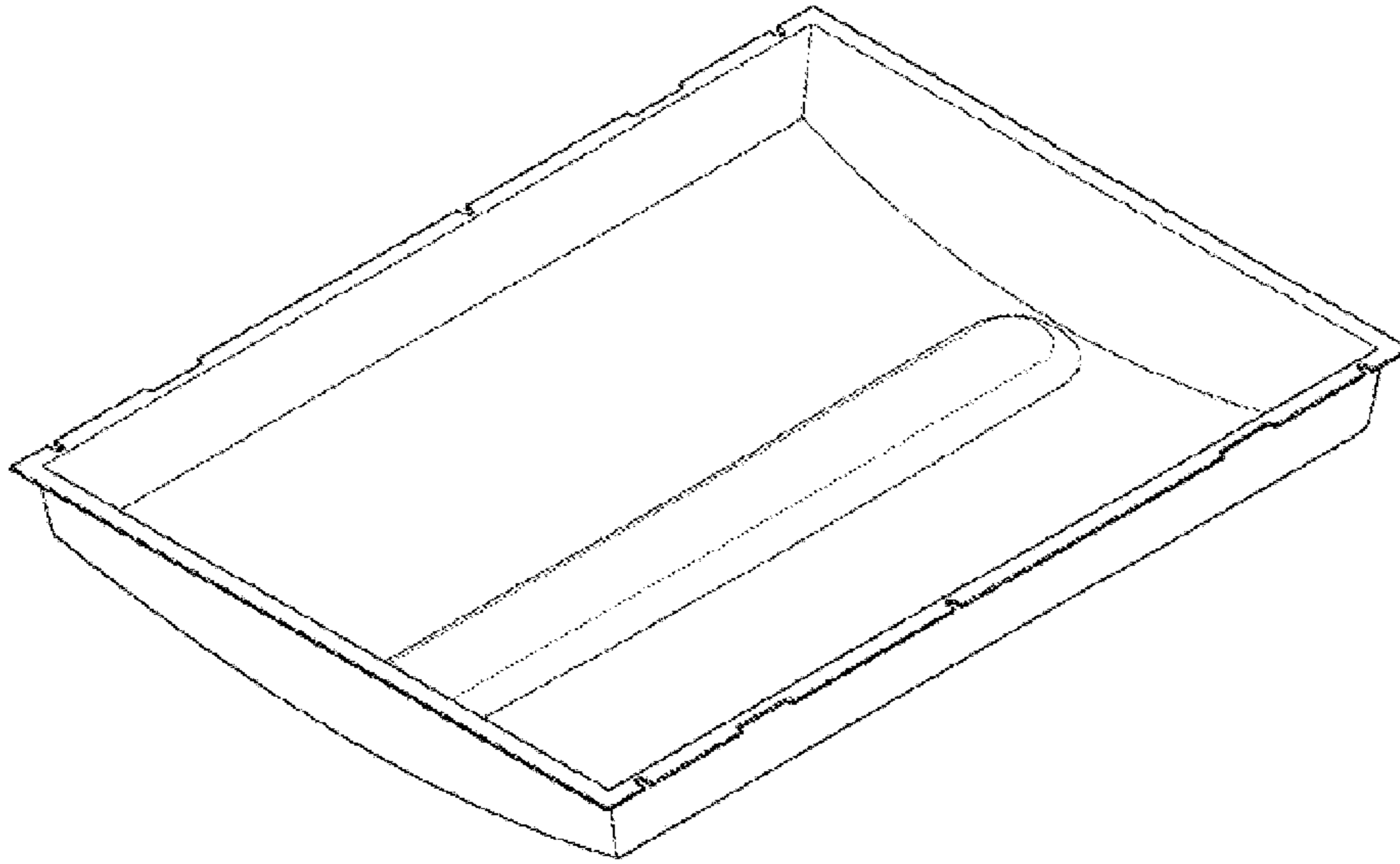
U.S. PATENT DOCUMENTS

D496,121 S \* 9/2004 Santoro ..... D26/74  
D637,341 S \* 5/2011 Wardenburg ..... D26/118  
D643,572 S \* 8/2011 Lown et al. .... D26/120  
D653,376 S \* 1/2012 Kong et al. .... D26/76

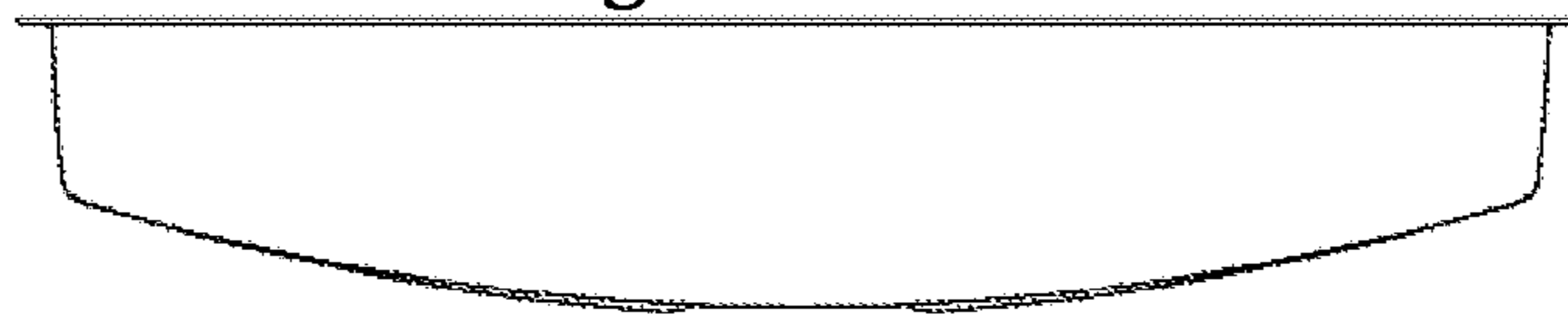
D663,468 S \* 7/2012 Apetauer et al. .... D26/74  
D665,119 S \* 8/2012 Bryant ..... D26/122  
D679,848 S \* 4/2013 Pickard et al. .... D26/74  
D681,872 S \* 5/2013 Kong et al. .... D26/141  
2002/0003698 A1\* 1/2002 Engel ..... 362/224

\* cited by examiner

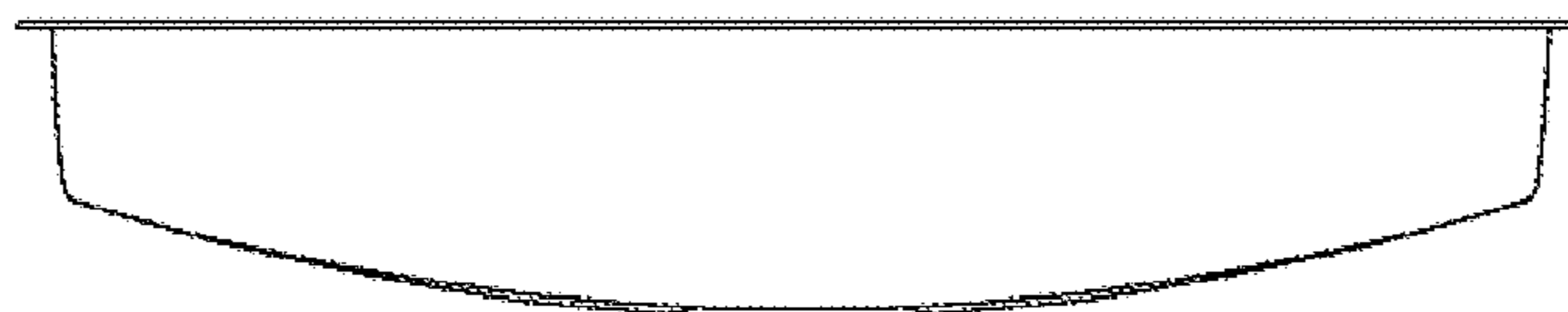
**Figure 1**



**Figure 2**



**Figure 3**



**Figure 4**

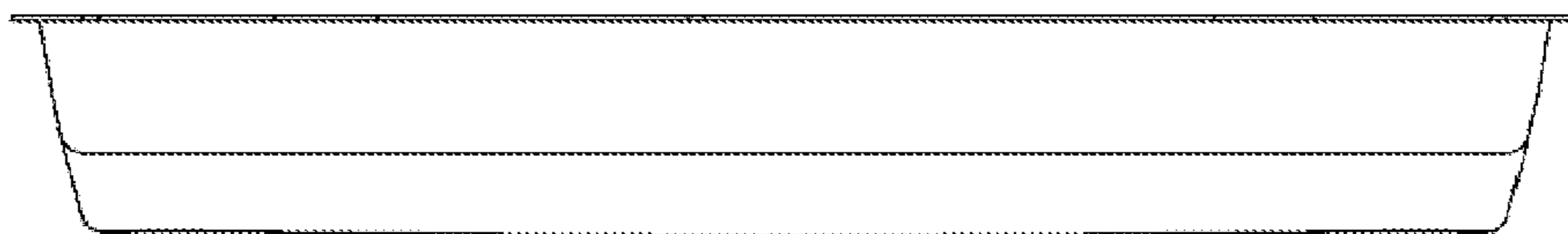


Figure 5

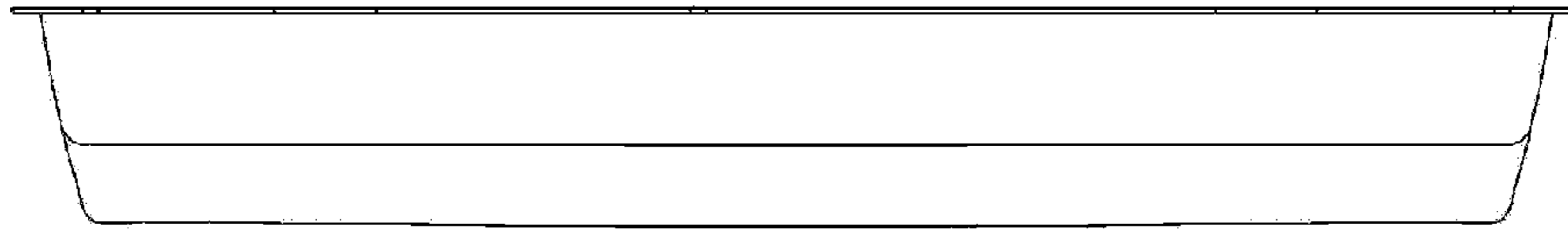
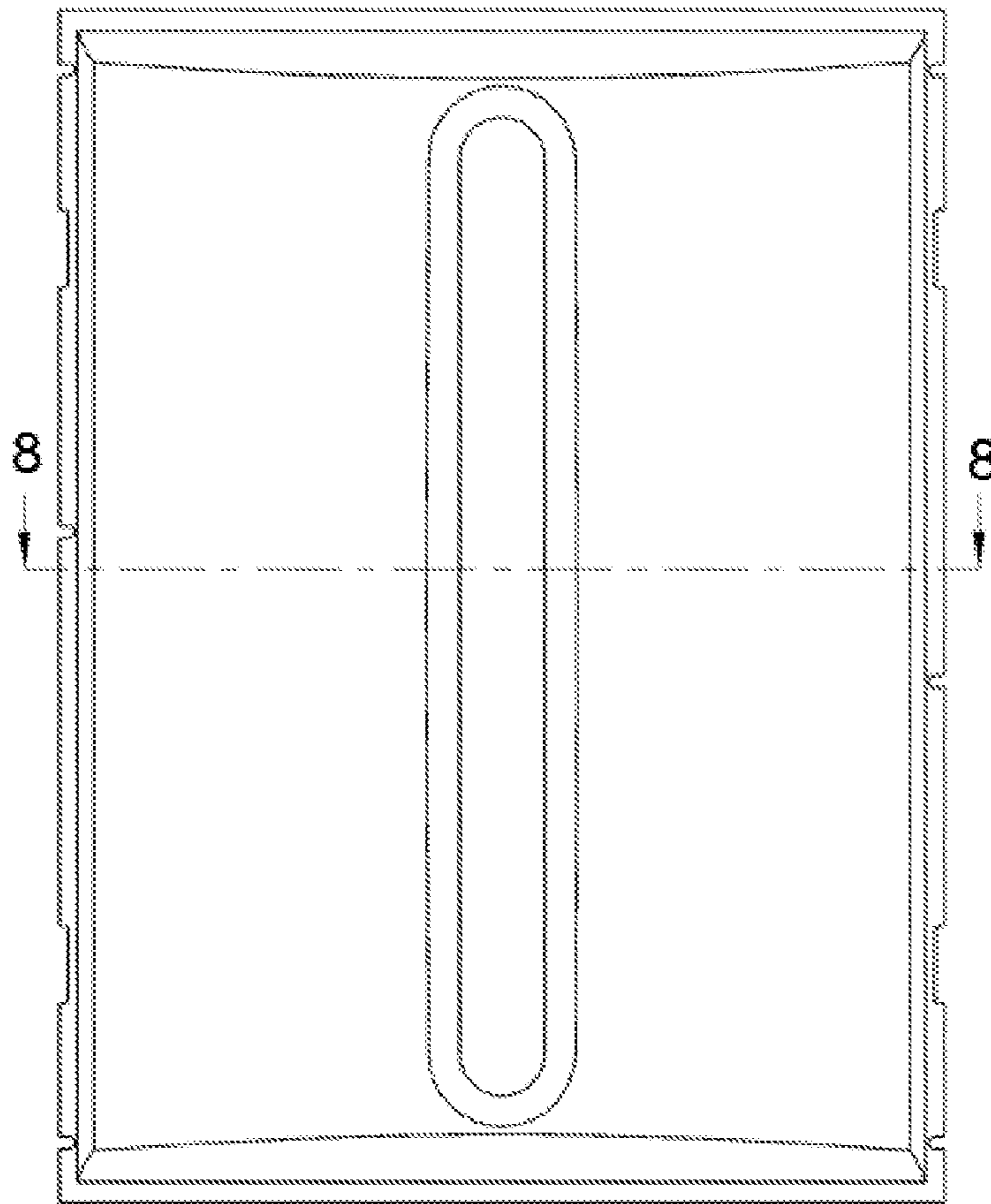
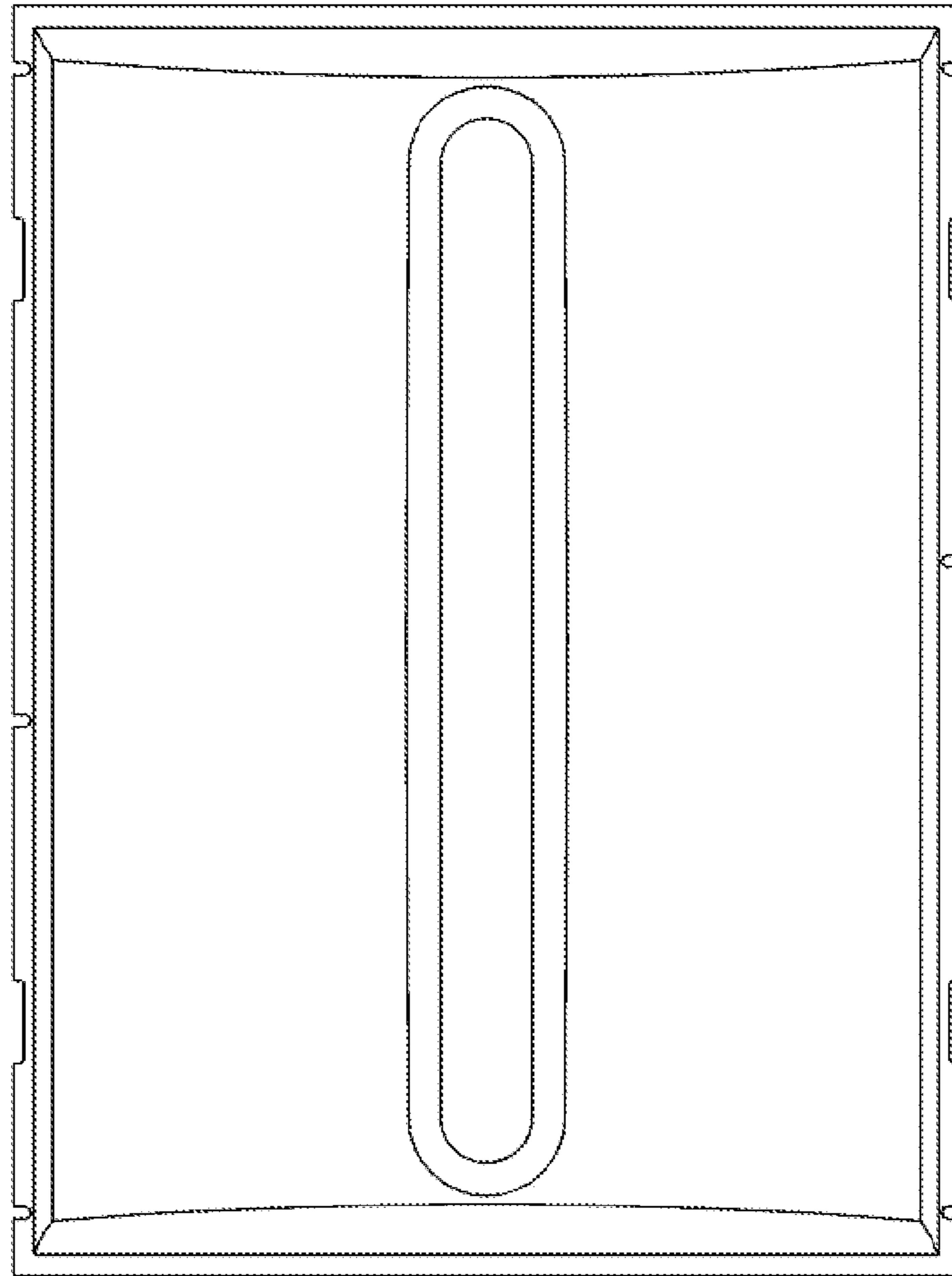


Figure 6



**Figure 7**



**Figure 8**

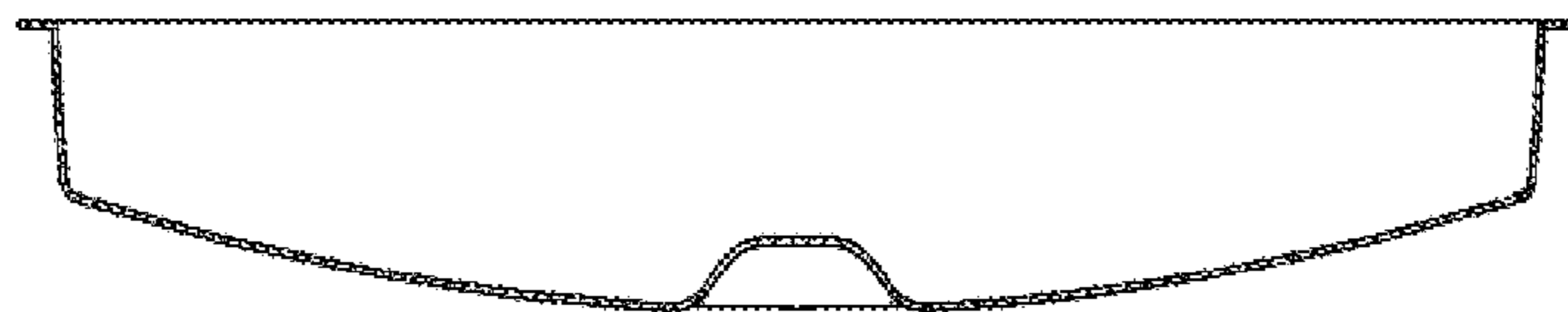


Figure 9

