



US00D699382S

(12) **United States Design Patent**
Möller et al.

(10) **Patent No.:** **US D699,382 S**
(45) **Date of Patent:** **** Feb. 11, 2014**

(54) **SPOTLIGHT**

(75) Inventors: **Andreas Möller**, München (DE); **Josef Ostermann**, München (DE); **Erwin Melzner**, Frasdorf (DE); **Michael Jonischkeit**, Alxing (DE); **Kerstin Schlegel**, Stephanskirchen (DE); **Klaus-Dieter Stegmaier**, Viechtach (DE)

(73) Assignee: **Arnold & Richter Cine Technik GmbH & Co. Betriebs KG**, Munich (DE)

(**) Term: **14 Years**

(21) Appl. No.: **29/374,648**

(22) Filed: **Sep. 12, 2011**

(30) **Foreign Application Priority Data**

Mar. 11, 2011 (DE) 40 2011 001 384

(51) **LOC (10) Cl.** **26-03**

(52) **U.S. Cl.**
USPC **D26/63**

(58) **Field of Classification Search**
USPC D26/1, 24, 60-66, 72, 85, 92, 113,
D26/118-119; 362/89, 217.01, 220, 217.02,
362/217.1, 217.14, 217.16, 257, 268-269,
362/275, 277, 282, 285, 310, 362, 368, 370,
362/382, 404, 418, 425, 427, 432, 433, 457,
362/804
See application file for complete search history.

(56) **References Cited**

U.S. PATENT DOCUMENTS

D93,934 S * 11/1934 Levy D26/65
D120,741 S * 5/1940 Naylor D26/65
D202,727 S * 11/1965 Hahn D26/65

D359,574 S * 6/1995 Bornhorst et al. D26/65
D388,525 S 12/1997 Lowell et al.
D426,335 S 6/2000 Kulterer et al.
D486,259 S * 2/2004 Crawford et al. D26/51
D606,690 S * 12/2009 Orrom et al. D26/61
D645,593 S * 9/2011 Janssen D26/63

OTHER PUBLICATIONS

Arri-Lighting, Film & Television Lighting Products, 1995, 6 sheets.
Arri-Arrisun, Arri (GB) Ltd., Feb. 1995, 3 sheets.
Arri-Studio, Oct. 1995, Arri (GB) Ltd., 4 sheets.
Arri-Junior, Arri Arnold & Richter Cine Technik, May 1996, 3 sheets.
Arri-Arri Compact, Arri (GB) Ltd., Oct. 1995, 4 sheets.
Arri-Lighting, May 1998, 6 sheets.
Arri-Arrisun, Arri (GB) Ltd., Apr. 1998, 4 sheets.
Arri-Studio, 4 sheets.
Arri-Junior, Arri Arnold & Richter Cine Technik, Feb. 1998, 4 sheets.
Arri-Compact, Arri (GB) Ltd., May 1998, 4 sheets.

* cited by examiner

Primary Examiner — Brian N Vinson

(74) *Attorney, Agent, or Firm* — Christie, Parker & Hale, LLP

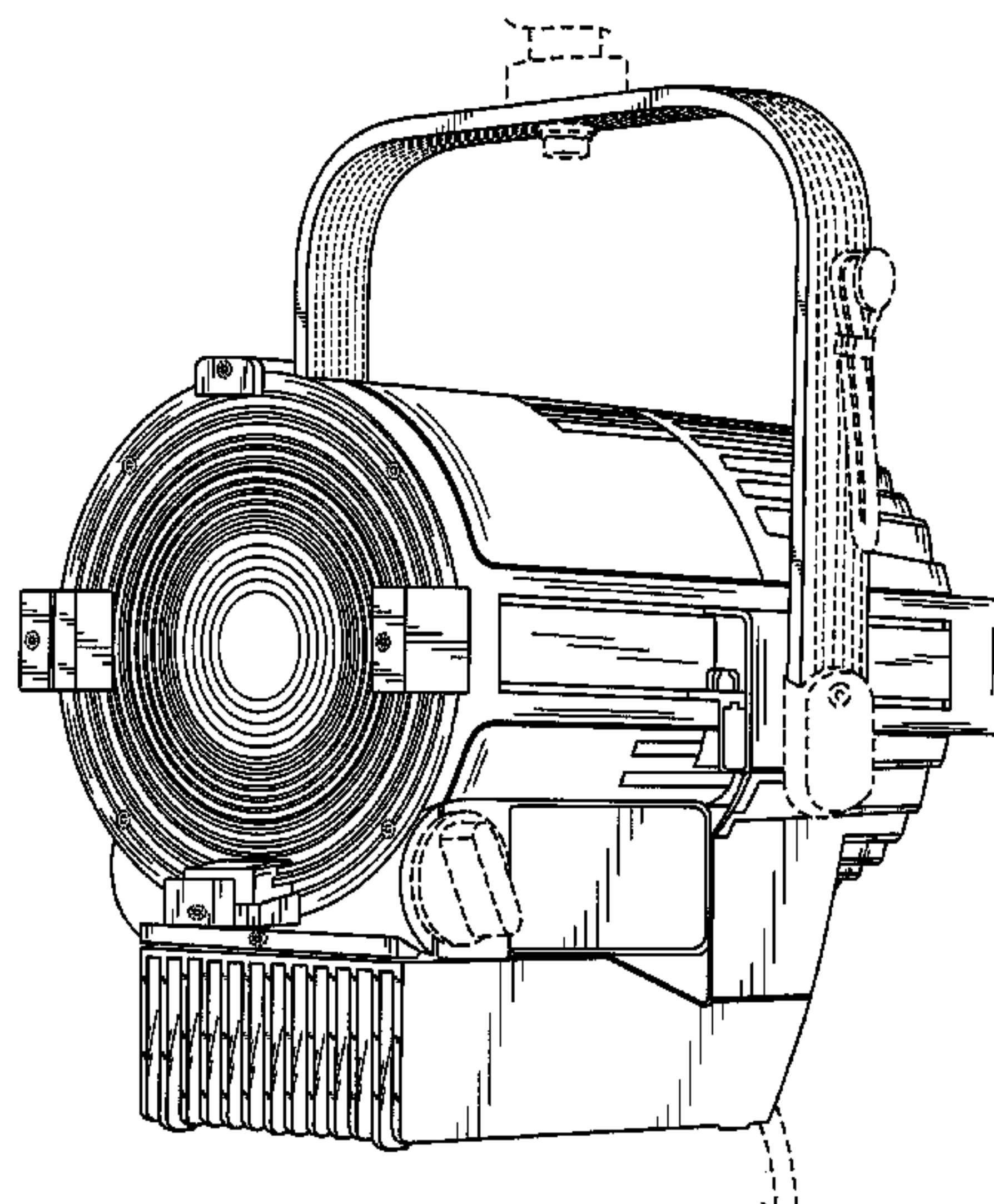
(57) **CLAIM**

The ornamental design for a spotlight, as shown and described.

DESCRIPTION

FIG. 1 is a front perspective view of the spotlight from the right side thereof including a stirrup;
FIG. 2 is a perspective right side view thereof;
FIG. 3 is a back perspective view from the right side thereof;
FIG. 4 is a back perspective view thereof;
FIG. 5 is a back perspective view from the left side thereof;
FIG. 6 is a perspective left side view thereof; and,
FIG. 7 is a front perspective view thereof.
The broken lines form no part of the claimed design.

1 Claim, 7 Drawing Sheets



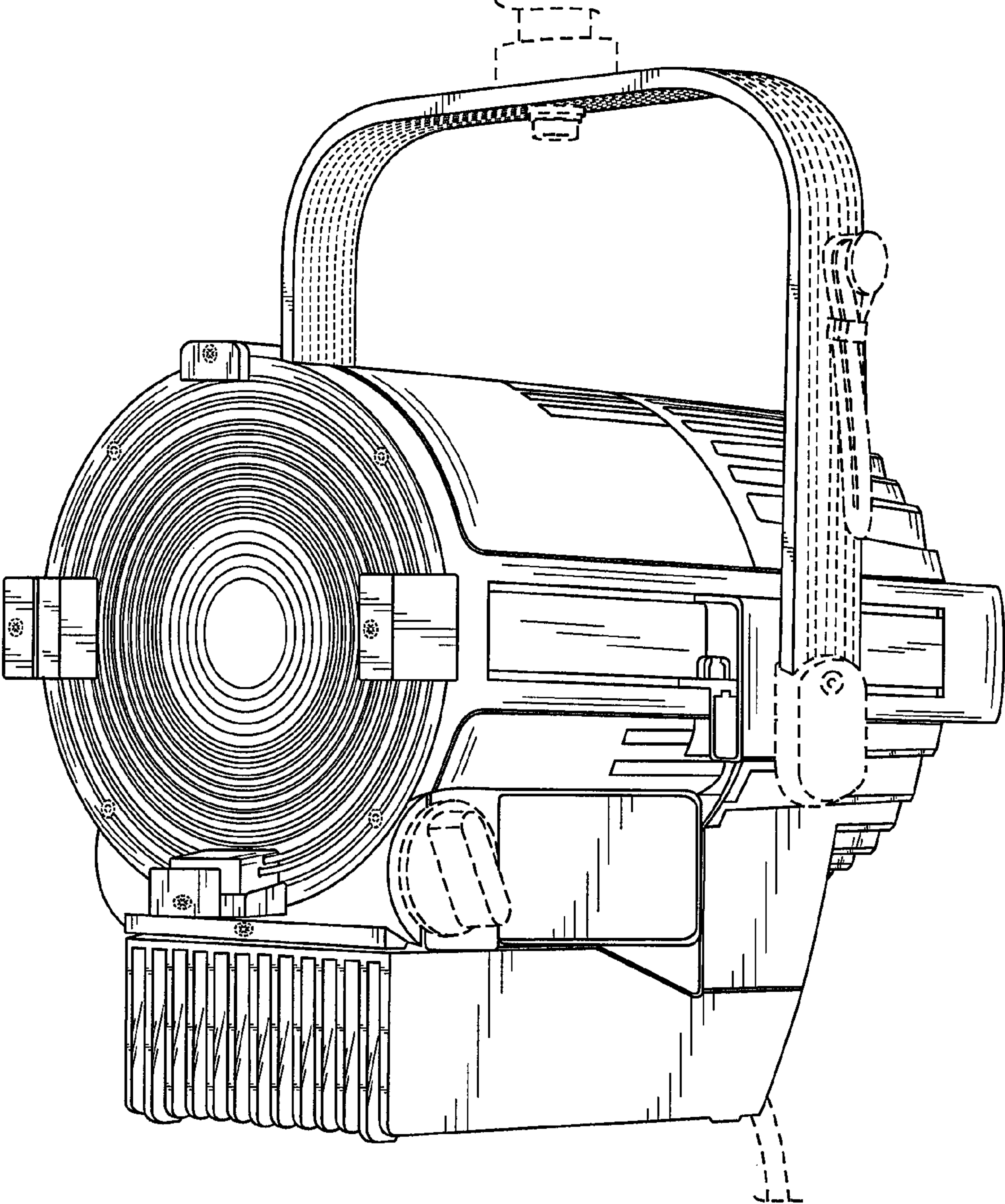


FIG. 1

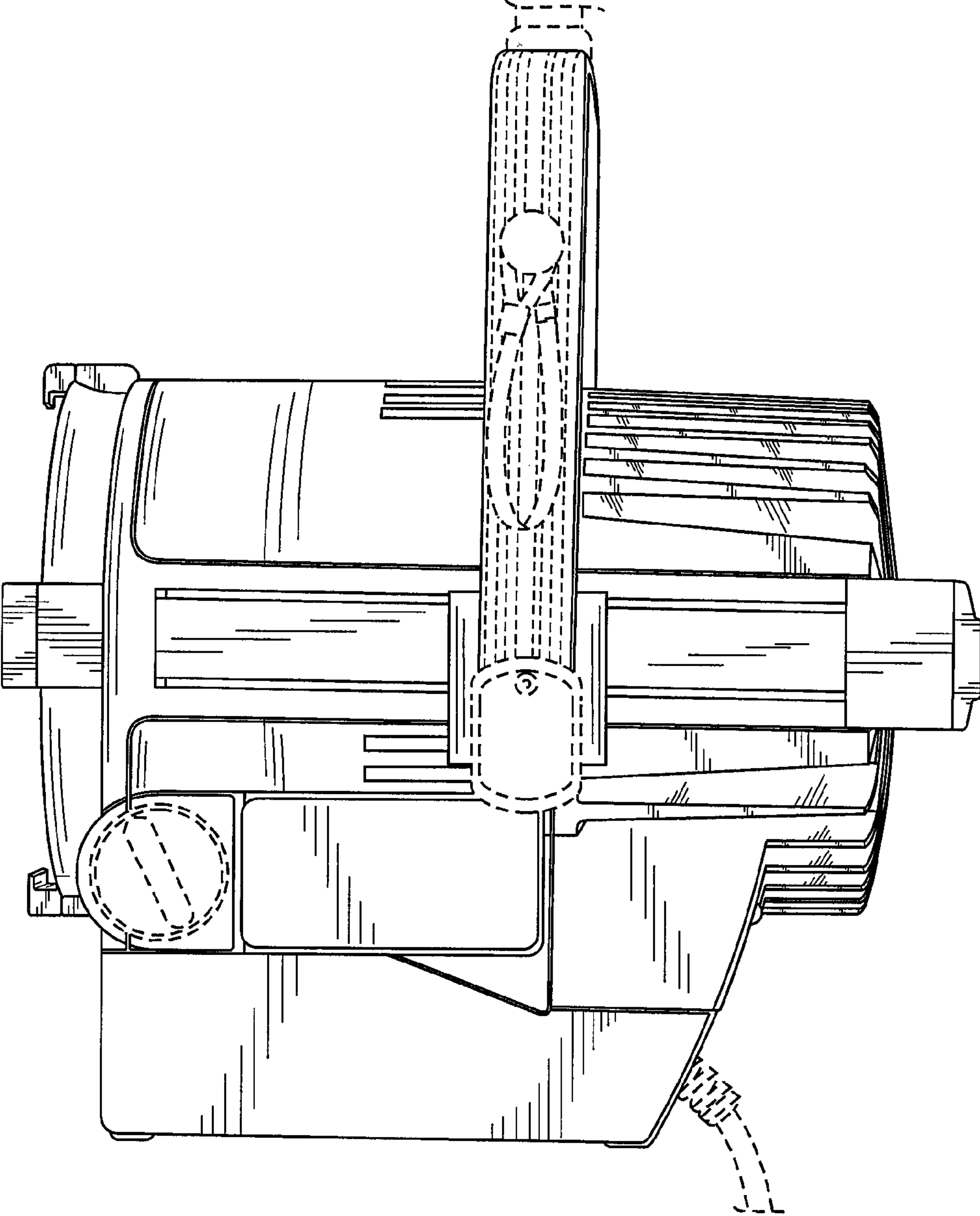


FIG. 2

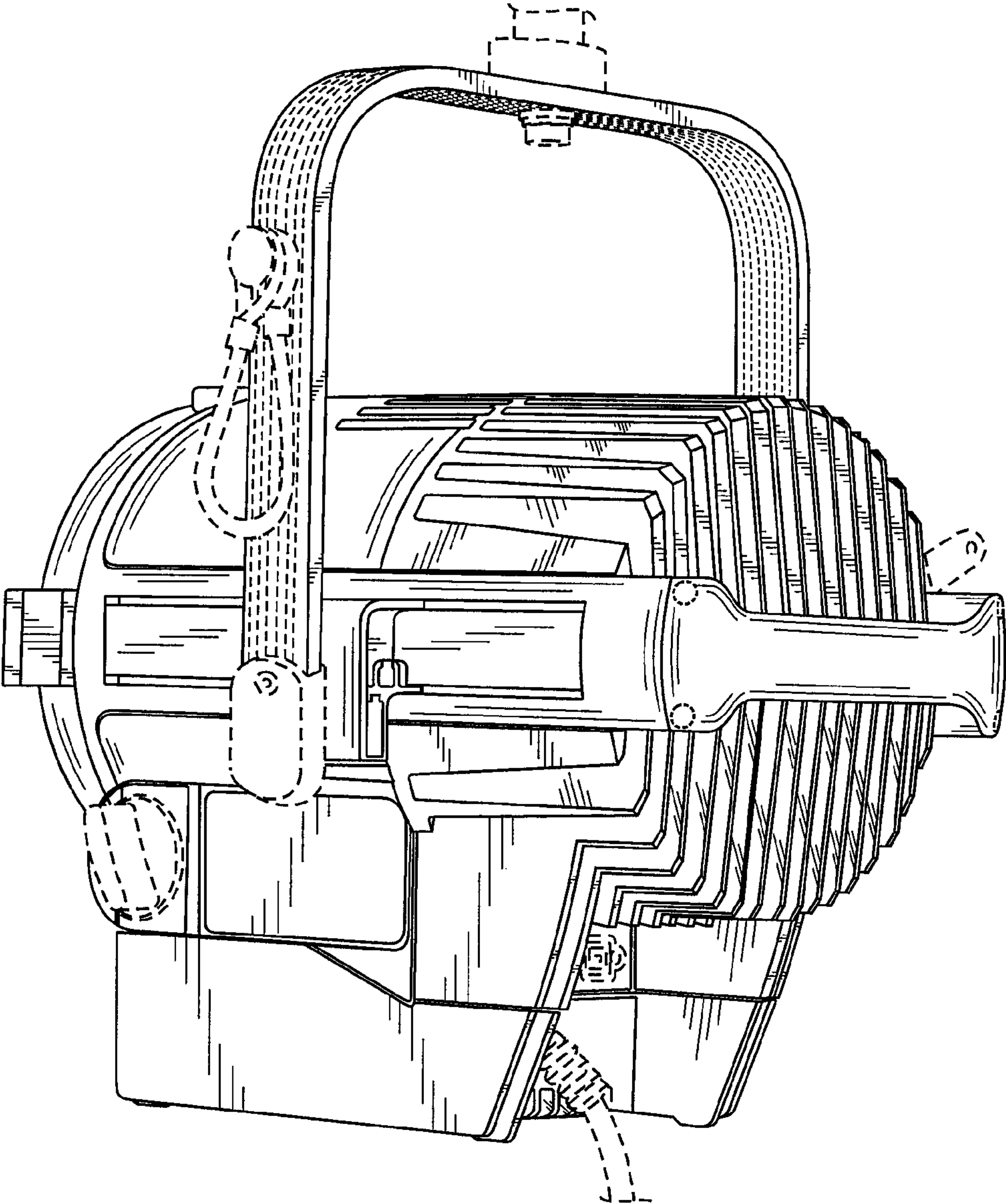


FIG. 3

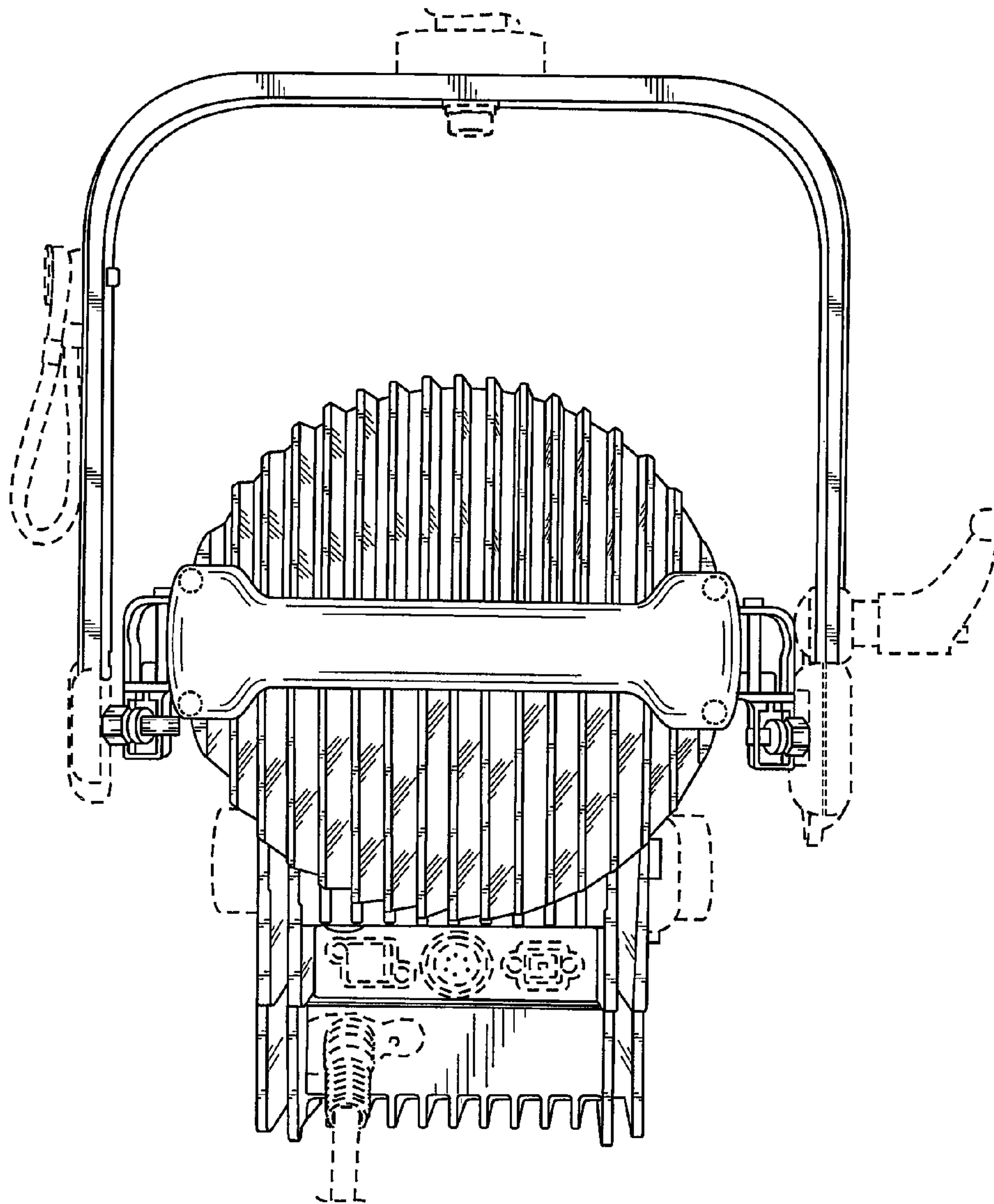


FIG. 4

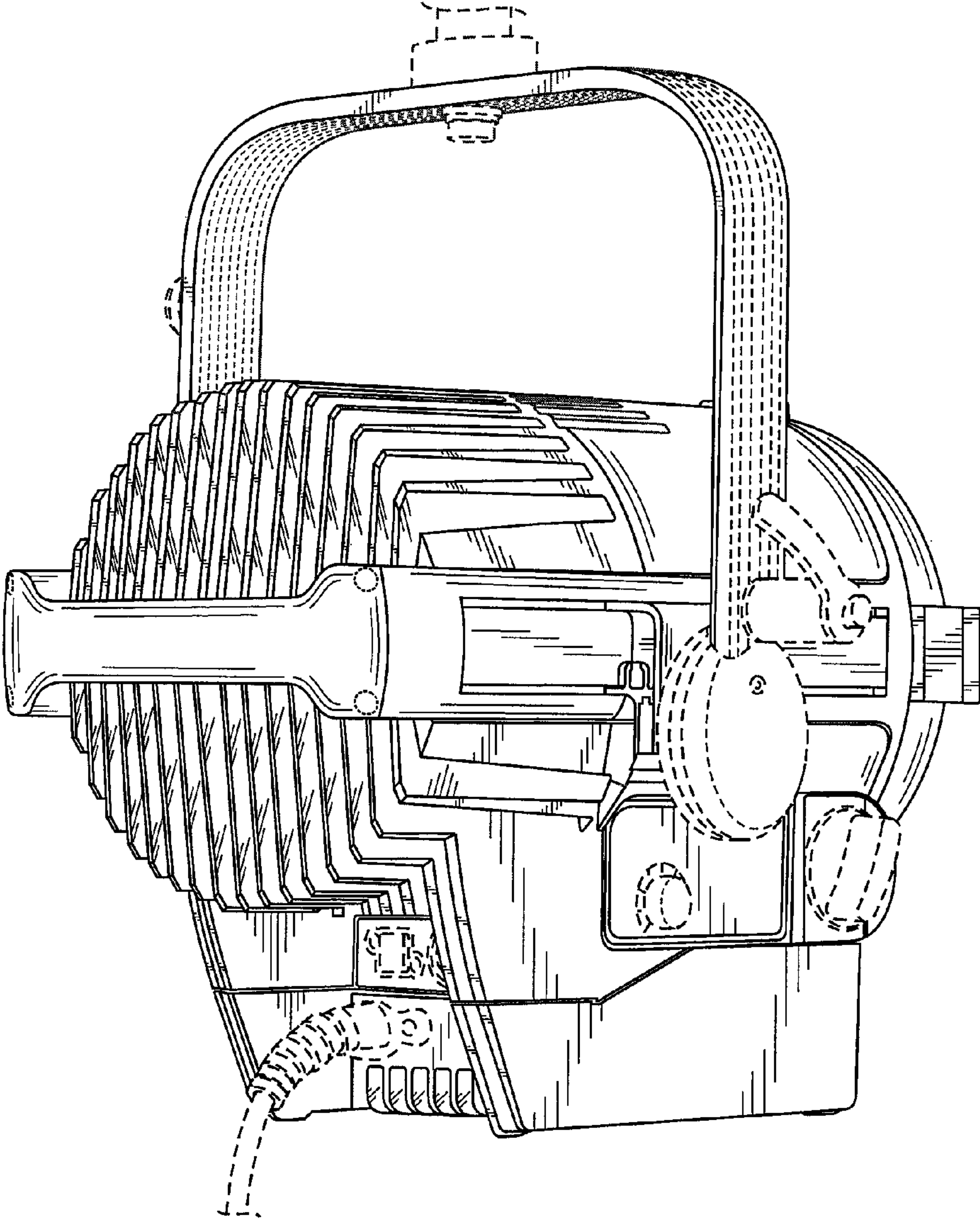


FIG. 5

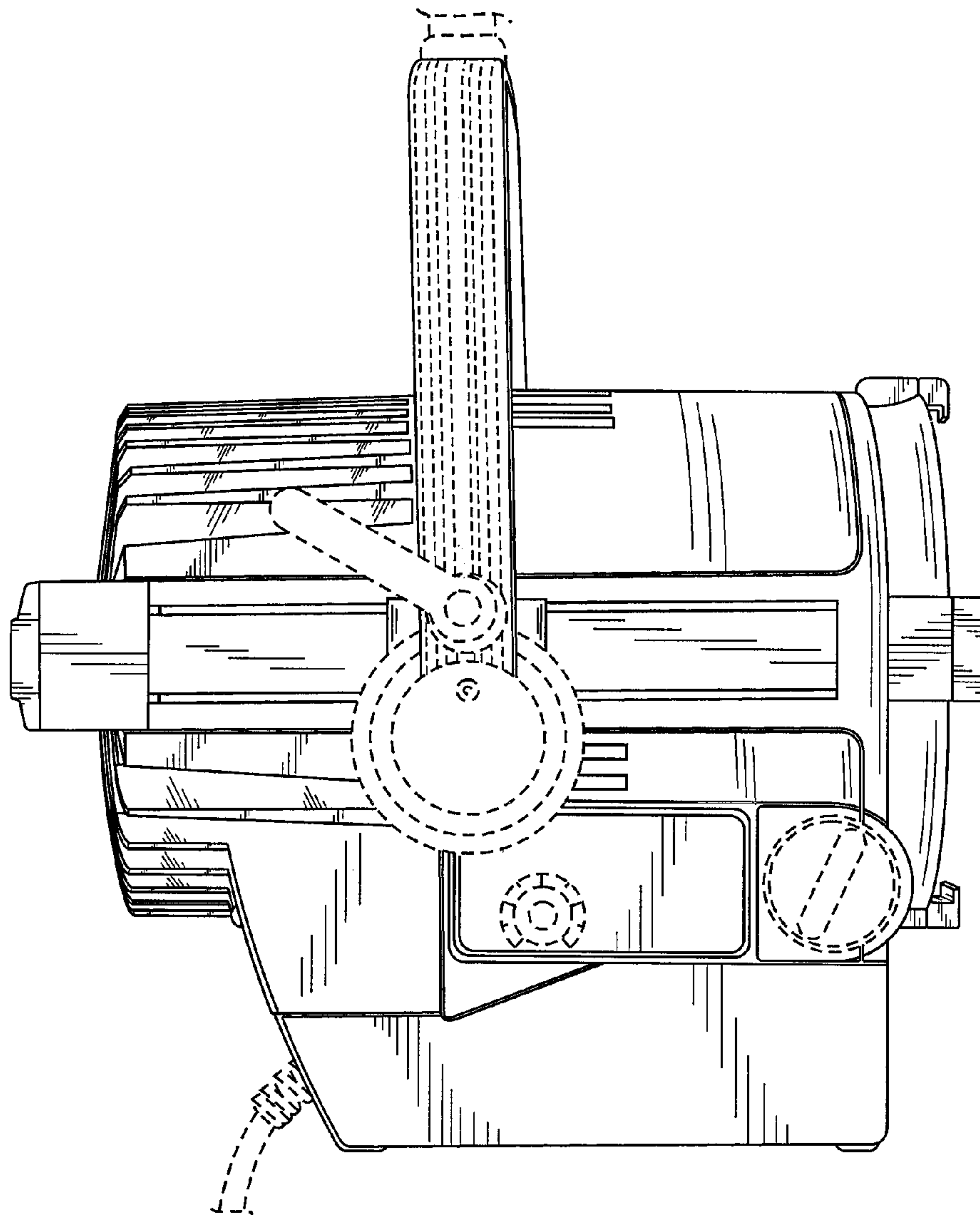


FIG. 6

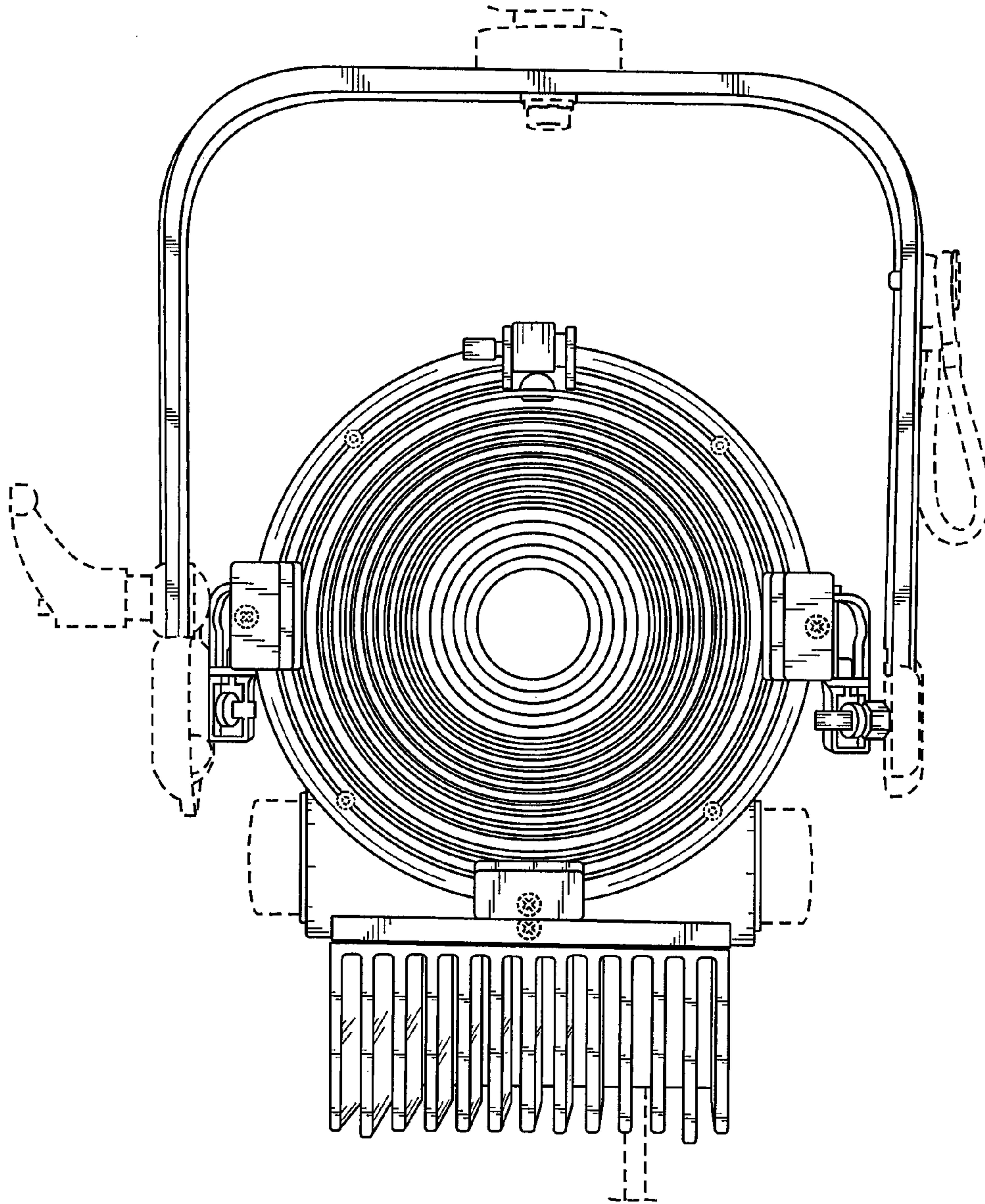


FIG. 7