



US00D699381S

(12) **United States Design Patent**
Stewart

(10) **Patent No.:** **US D699,381 S**
(45) **Date of Patent:** **** Feb. 11, 2014**

- (54) **LIGHT**
- (76) Inventor: **Wayne Stewart**, Springville, UT (US)
- (**) Term: **14 Years**
- (21) Appl. No.: **29/428,205**
- (22) Filed: **Jul. 27, 2012**

D596,772 S *	7/2009	Chang	D26/49
D599,928 S *	9/2009	Shiu	D26/49
D639,477 S *	6/2011	Robinson	D26/49
D640,400 S *	6/2011	Huang	D26/49
D641,093 S *	7/2011	Kidman	D26/49
D649,670 S *	11/2011	Robinson	D26/49
D659,272 S *	5/2012	Nguyen et al.	D26/49
D659,869 S *	5/2012	Prieto	D26/49
D671,249 S *	11/2012	Sheikh et al.	D26/38

* cited by examiner

Related U.S. Application Data

- (63) Continuation of application No. 29/424,154, filed on Jun. 7, 2012.
- (51) **LOC (10) Cl.** **26-02**
- (52) **U.S. Cl.**
USPC **D26/49**
- (58) **Field of Classification Search**
USPC D26/37, 40, 41, 42, 44, 46, 49, 61, 75;
362/157, 158, 184, 194-196, 197,
362/202-208, 171-174
See application file for complete search history.

Primary Examiner — Ian Simmons
Assistant Examiner — Carissa C Fitts
 (74) *Attorney, Agent, or Firm* — Pate Baird, PLLC

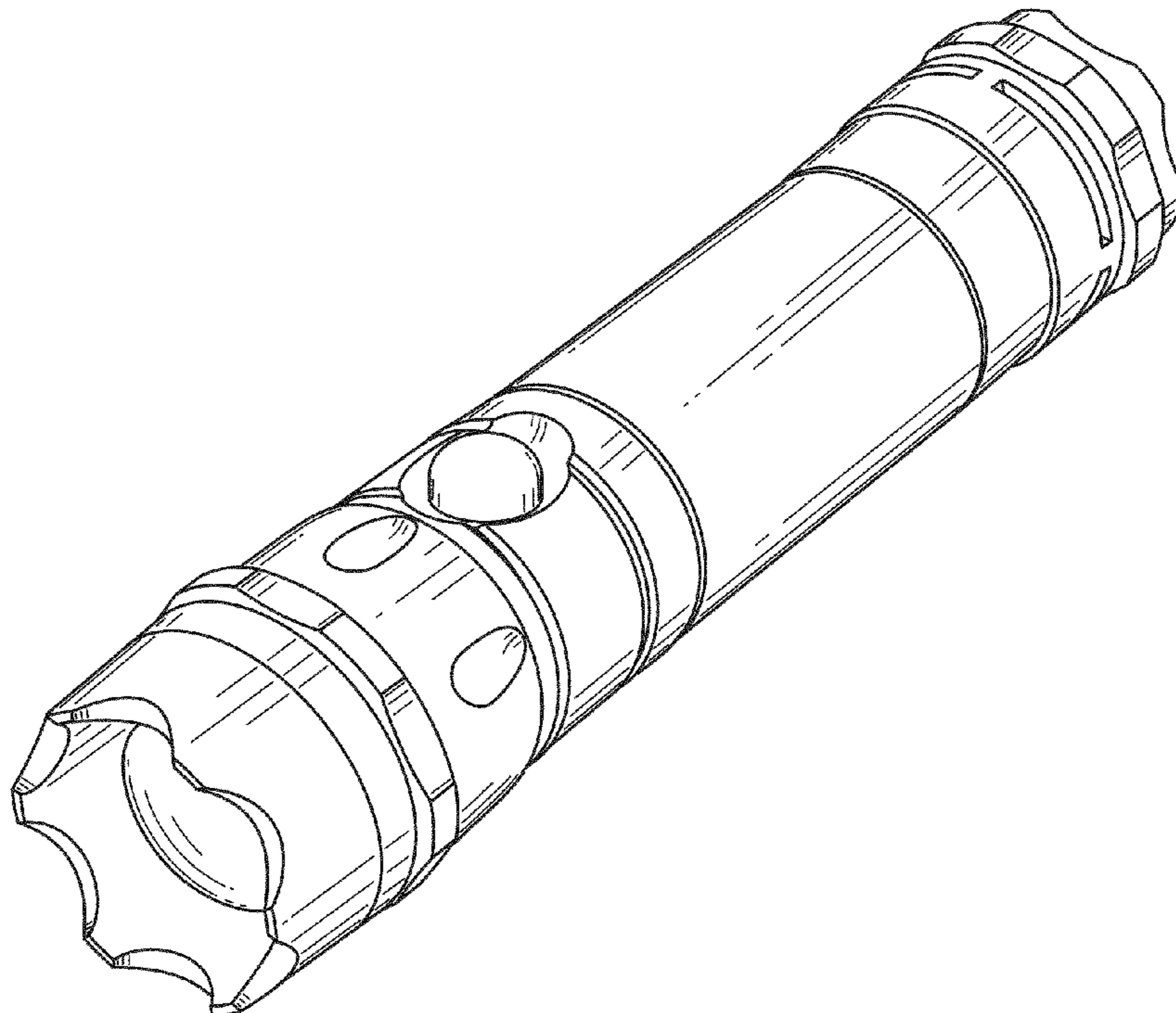
(57) **CLAIM**
 The ornamental design for a light, as shown and described.

DESCRIPTION

FIG. 1 is a frontal perspective view of a light in accordance with the invention;
 FIG. 2 is a rear perspective view thereof;
 FIG. 3 is a left side elevation view thereof;
 FIG. 4 is a right side elevation view thereof;
 FIG. 5 is a front end elevation view thereof;
 FIG. 6 is a rear end elevation view thereof;
 FIG. 7 is a top plan view thereof; and,
 FIG. 8 is a bottom plan view thereof.
 The broken line showing is for environmental purposes only and forms no part of the claimed design.

- (56) **References Cited**
 U.S. PATENT DOCUMENTS
 5,032,824 A 7/1991 Corbin
 D376,216 S 12/1996 Yuen
 5,764,132 A 6/1998 Hill
 D510,637 S * 10/2005 Chan D26/49
 D580,080 S * 11/2008 Ho D26/49
 D585,577 S * 1/2009 Bonis D26/49
 D586,025 S * 2/2009 Bonis D26/49

1 Claim, 2 Drawing Sheets



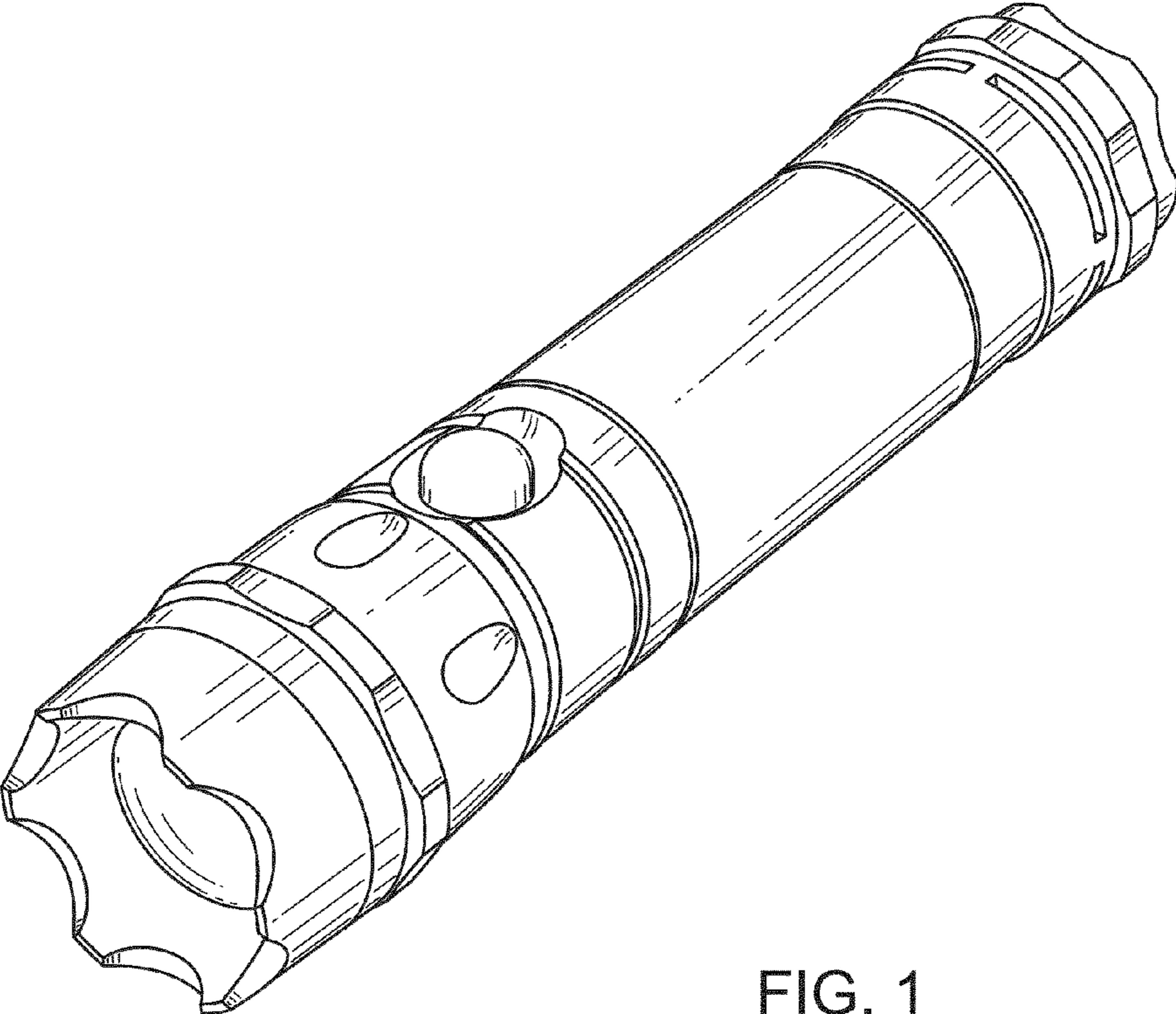


FIG. 1

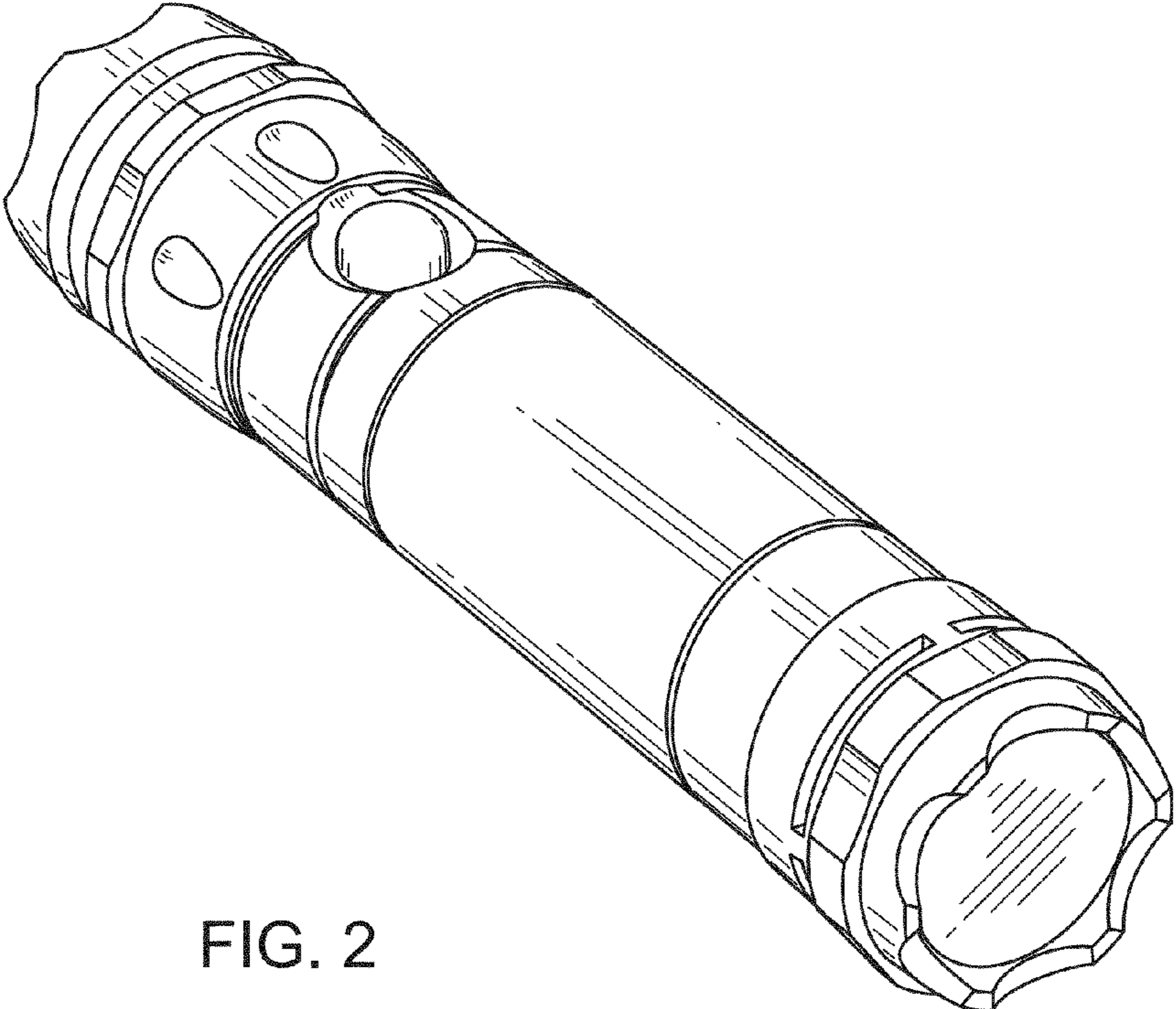


FIG. 2

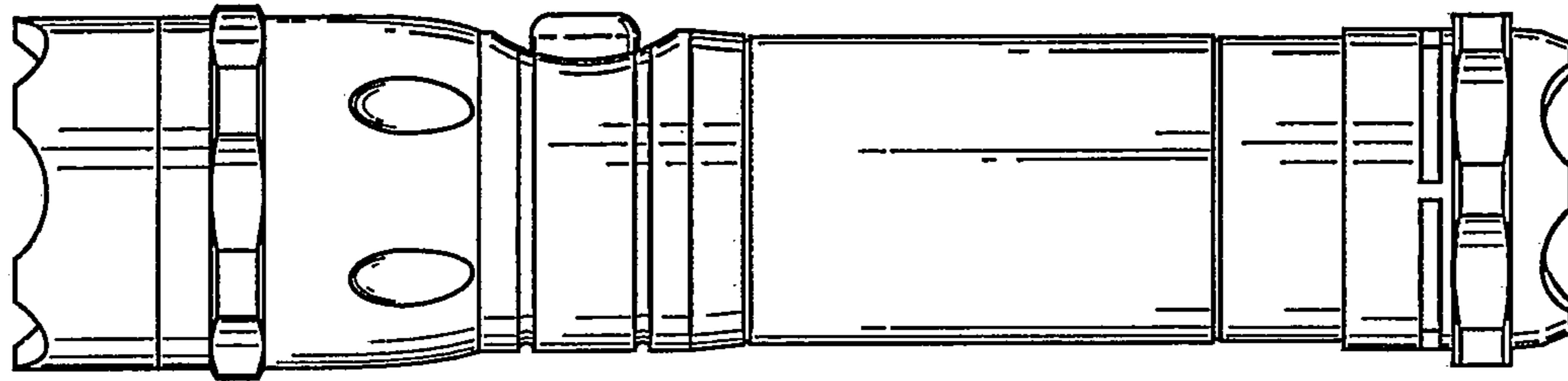


FIG. 3

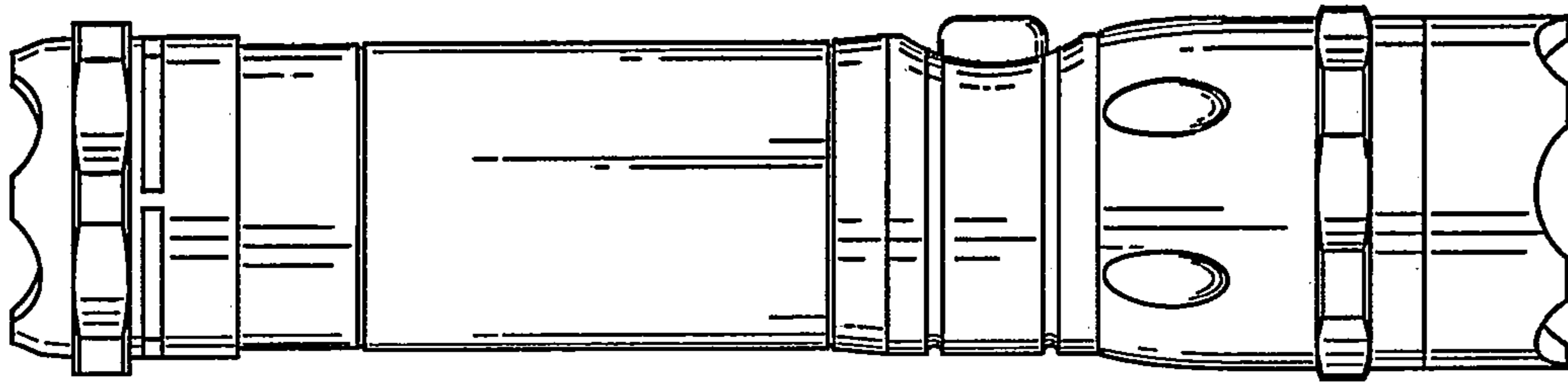


FIG. 4

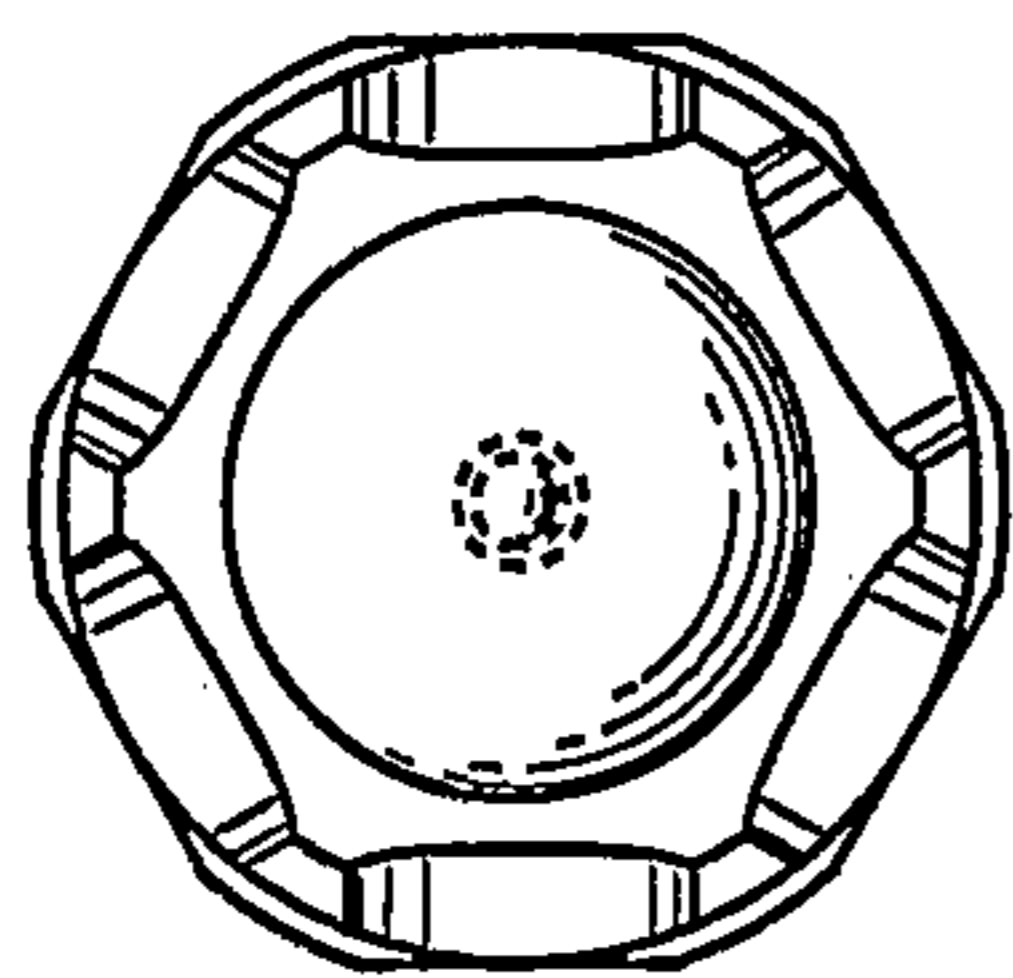


FIG. 5

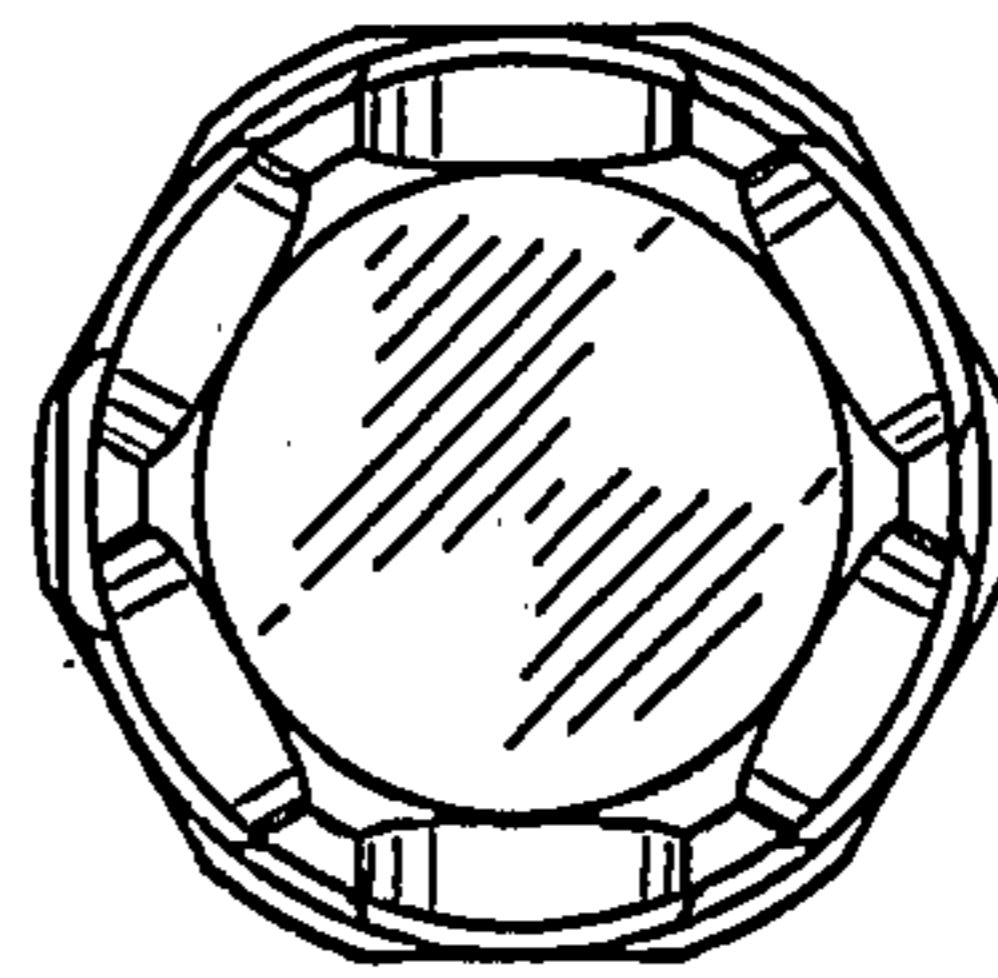


FIG. 6

UNITED STATES PATENT AND TRADEMARK OFFICE
CERTIFICATE OF CORRECTION

PATENT NO. : D699,381 S
APPLICATION NO. : 29/428205
DATED : February 11, 2014
INVENTOR(S) : Wayne Stewart

Page 1 of 1

It is certified that error appears in the above-identified patent and that said Letters Patent is hereby corrected as shown below:

In the Drawings

FIGS. 7 and 8 are included in the drawings:



FIG. 7

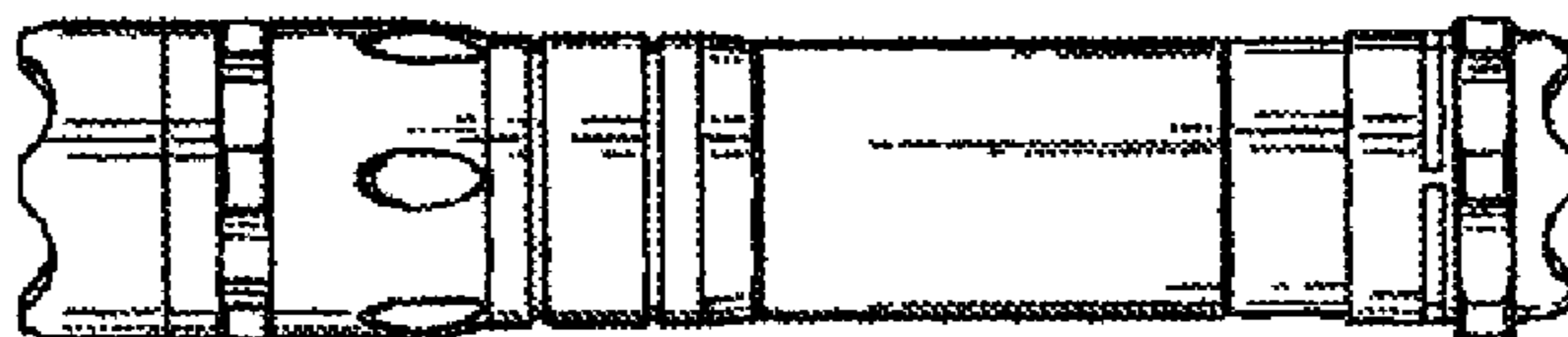


FIG. 8

Signed and Sealed this
Ninth Day of September, 2014

Michelle K. Lee

Michelle K. Lee
Deputy Director of the United States Patent and Trademark Office