



(12) **United States Design Patent**
Weaver

(10) **Patent No.:** **US D699,380 S**
(45) **Date of Patent:** **** Feb. 11, 2014**

- (54) **WRIST-MOUNTED LIGHT**
- (71) Applicant: **James Weaver**, New Brunswick, NJ
(US)
- (72) Inventor: **James Weaver**, New Brunswick, NJ
(US)
- (**) Term: **14 Years**
- (21) Appl. No.: **29/436,768**
- (22) Filed: **Nov. 8, 2012**
- (51) **LOC (10) Cl.** **26-02**
- (52) **U.S. Cl.**
USPC **D26/39**
- (58) **Field of Classification Search**
USPC D26/37, 38, 39, 46; 362/103–108, 157,
362/158, 184, 183, 194–201, 208, 253
See application file for complete search history.

D623,309	S	*	9/2010	Turtzo et al.	D24/210
7,857,478	B1	*	12/2010	Keller	362/103
D648,468	S	*	11/2011	Gibson	D26/49
D658,795	S	*	5/2012	Szymanski	D26/39
D662,239	S	*	6/2012	Szymanski	D26/39
D679,434	S	*	4/2013	Conroy	D26/39
D680,250	S	*	4/2013	Opolka	D26/39

* cited by examiner

Primary Examiner — Ian Simmons
Assistant Examiner — Carissa C Fitts

(56) **References Cited**
U.S. PATENT DOCUMENTS

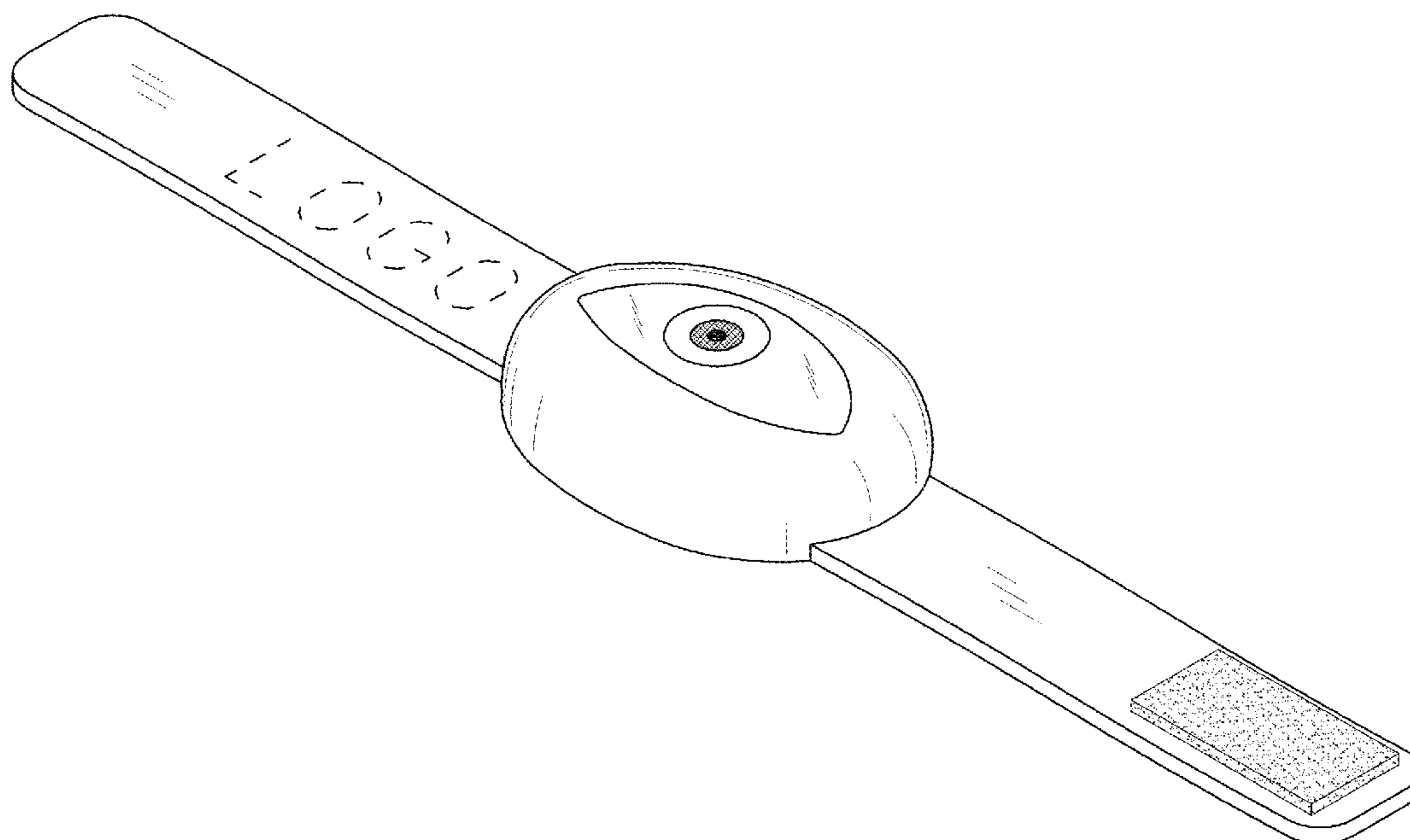
4,788,631	A	11/1988	Fuller	
D344,411	S	* 2/1994	Henry et al. D3/229
D353,012	S	* 11/1994	Mihavetz D26/39
D361,143	S	* 8/1995	Helvey D26/39
6,550,930	B1	4/2003	Portouche	
6,715,897	B2	4/2004	Rowe et al.	
D533,954	S	* 12/2006	Opolka D26/39
D583,971	S	* 12/2008	Castellucci et al. D26/39
D596,325	S	* 7/2009	Barbour D26/39

(57) **CLAIM**
The ornamental design for a wrist-mounted light, as shown and described.

DESCRIPTION

FIG. 1 is a front elevation view of a wrist-mounted light showing my new design;
FIG. 2 is a rear elevation view thereof;
FIG. 3 is a right side elevation view thereof;
FIG. 4 is a left side elevation view thereof;
FIG. 5 is a top plan view thereof;
FIG. 6 is a bottom plan view thereof; and,
FIG. 7 is an isometric view thereof.
The broken lines in FIGS. 1 and 7 of the drawings depict environmental subject matter only and form no part of the claimed design.

1 Claim, 3 Drawing Sheets



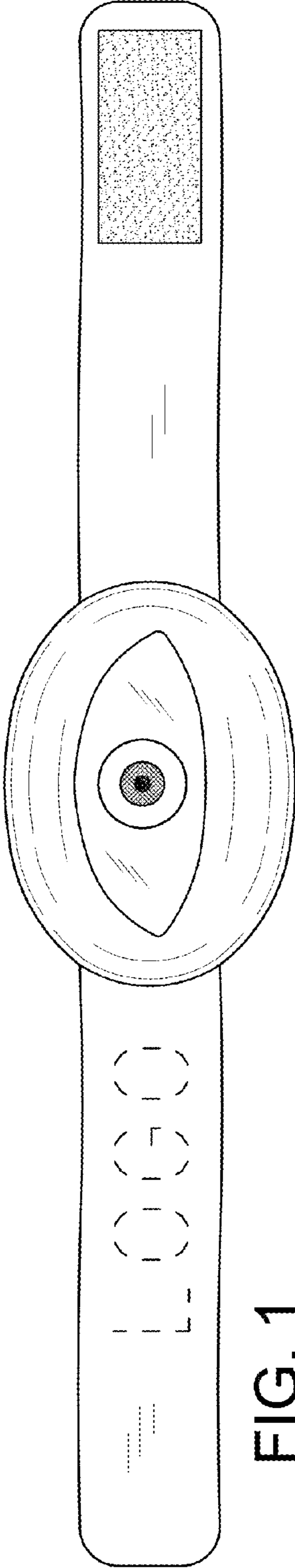


FIG. 1

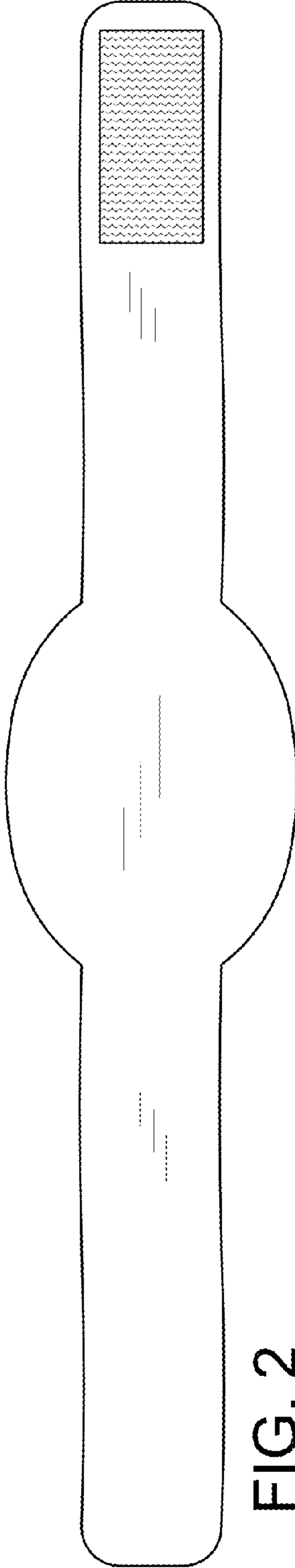


FIG. 2



FIG. 3

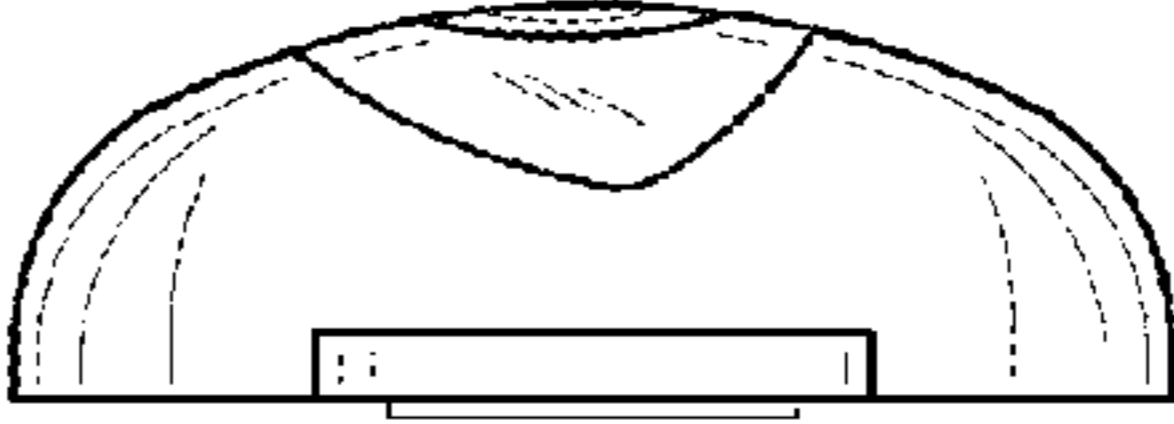


FIG. 4

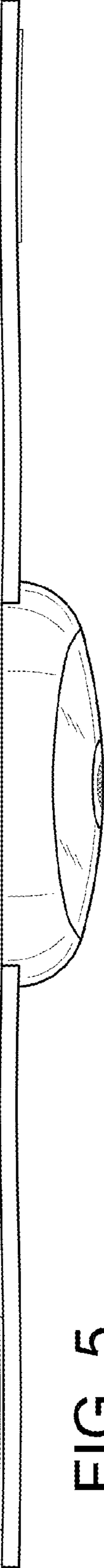


FIG. 5



FIG. 6

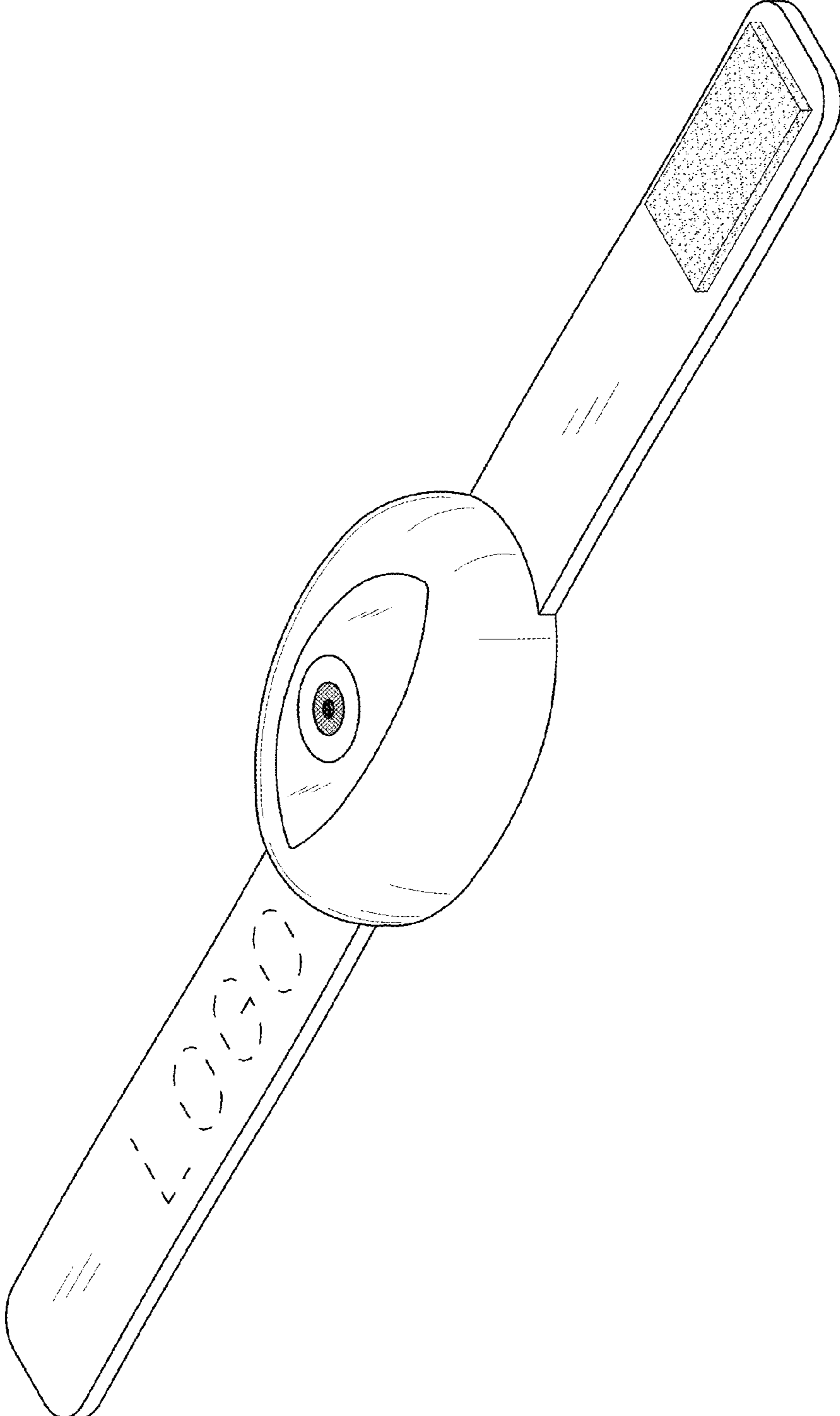


FIG. 7