



US00D699378S

(12) **United States Design Patent**  
**DiLuciano**

(10) **Patent No.:** **US D699,378 S**

(45) **Date of Patent:** **\*\* Feb. 11, 2014**

(54) **FLASHLIGHT**

(71) Applicant: **Mark A. DiLuciano**, Amherst, OH (US)

(72) Inventor: **Mark A. DiLuciano**, Amherst, OH (US)

(\*\*) Term: **14 Years**

(21) Appl. No.: **29/437,350**

(22) Filed: **Nov. 15, 2012**

(51) **LOC (10) Cl.** ..... **26-02**

(52) **U.S. Cl.**  
USPC ..... **D26/37**

(58) **Field of Classification Search**  
USPC ..... D26/37, 38, 39, 42, 46; 362/157, 158,  
362/183, 184, 194-196, 200-208;  
D16/200, 204, 208, 203, 219  
See application file for complete search history.

(56) **References Cited**

**U.S. PATENT DOCUMENTS**

1,285,382	A	*	11/1918	Renshaw	.....	250/465.1
1,980,351	A	*	11/1934	Osterman	.....	362/142
D127,785	S	*	6/1941	Brodton	.....	D26/37
D271,808	S	*	12/1983	Axton et al.	.....	D26/37
D273,048	S	*	3/1984	Chan	.....	D26/37
D277,415	S	*	1/1985	Berger	.....	D26/46
D328,357	S	*	7/1992	Schneider	.....	D26/46
D355,272	S	*	2/1995	Chabria	.....	D26/46
D356,172	S	*	3/1995	Vance	.....	D26/46
D362,816	S	*	10/1995	Yuen	.....	D10/106.1
D425,228	S	*	5/2000	Kibler	.....	D26/46
D434,867	S	*	12/2000	Merrell	.....	D26/37
D436,195	S	*	1/2001	Au-Yeung	.....	D26/37

D475,149	S	*	5/2003	Chun	.....	D26/37
D477,432	S	*	7/2003	Parsons	.....	D26/37
D559,297	S	*	1/2008	Nakamura	.....	D16/219
D595,875	S	*	7/2009	Irvine	.....	D26/24
D608,038	S	*	1/2010	Chan	.....	D26/60
D610,726	S	*	2/2010	Patel et al.	.....	D26/37
D627,091	S	*	11/2010	Zhang et al.	.....	D26/46
D631,586	S	*	1/2011	Li et al.	.....	D26/37
D643,867	S	*	8/2011	Boland et al.	.....	D16/219
D647,229	S	*	10/2011	Ma	.....	D26/37
D670,016	S	*	10/2012	Sprengers	.....	D26/63
D682,449	S	*	5/2013	Scazziga	.....	D26/37
D682,980	S	*	5/2013	Sheikh et al.	.....	D22/117

\* cited by examiner

*Primary Examiner* — Ian Simmons

*Assistant Examiner* — Carissa C Fitts

(74) *Attorney, Agent, or Firm* — Pearne & Gordon LLP

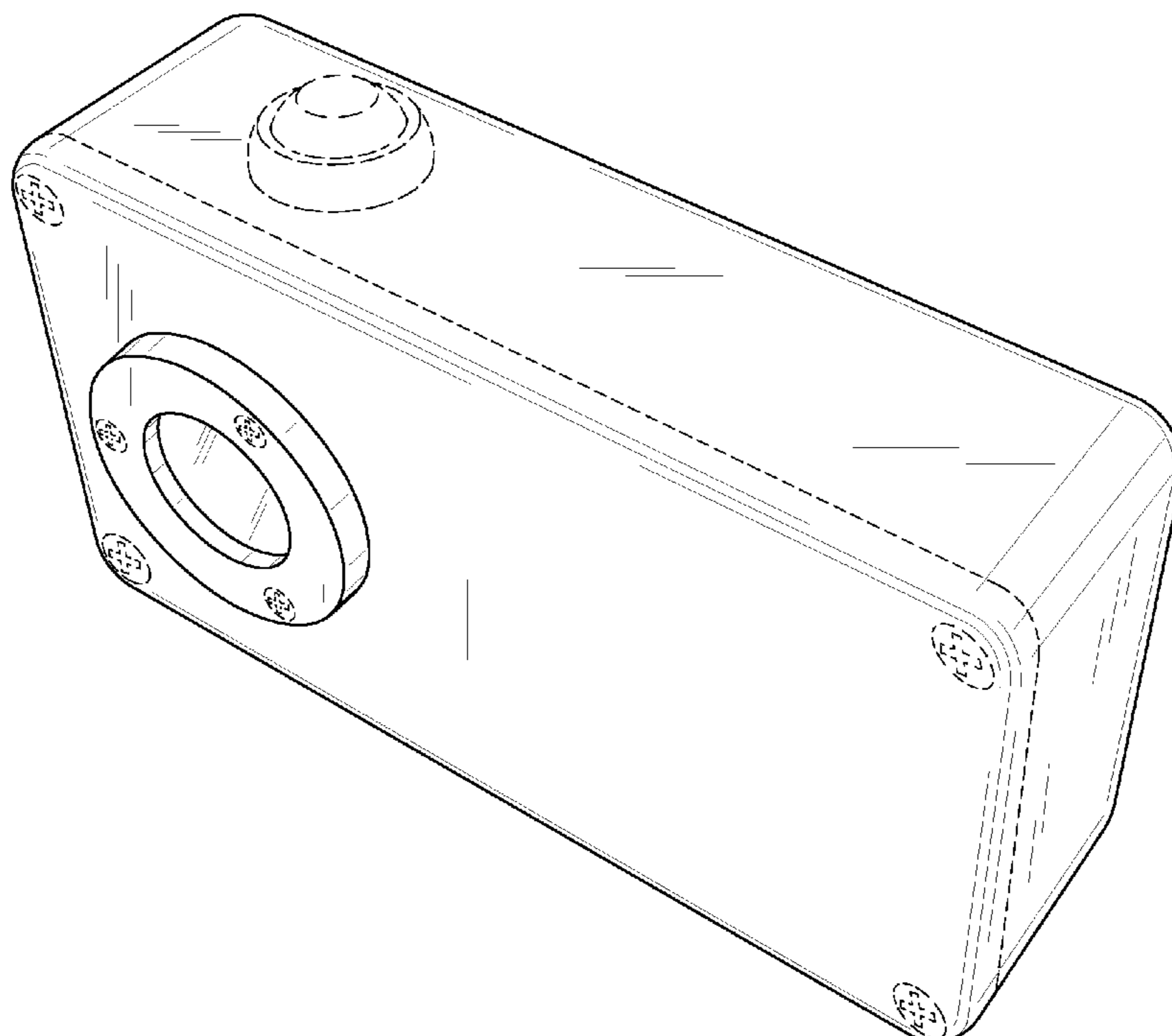
(57) **CLAIM**

The ornamental design for a flashlight, as shown and described.

**DESCRIPTION**

FIG. 1 is a perspective view of a flashlight showing my new design;  
FIG. 2 is a top plan view thereof;  
FIG. 3 is a front elevational view thereof;  
FIG. 4 is a right side elevational view thereof, the left side view being a mirror image thereof;  
FIG. 5 is a back elevational view thereof; and,  
FIG. 6 is a bottom plan view thereof.  
The broken line showing is for environmental purposes only and forms no part of the claimed design.

**1 Claim, 3 Drawing Sheets**



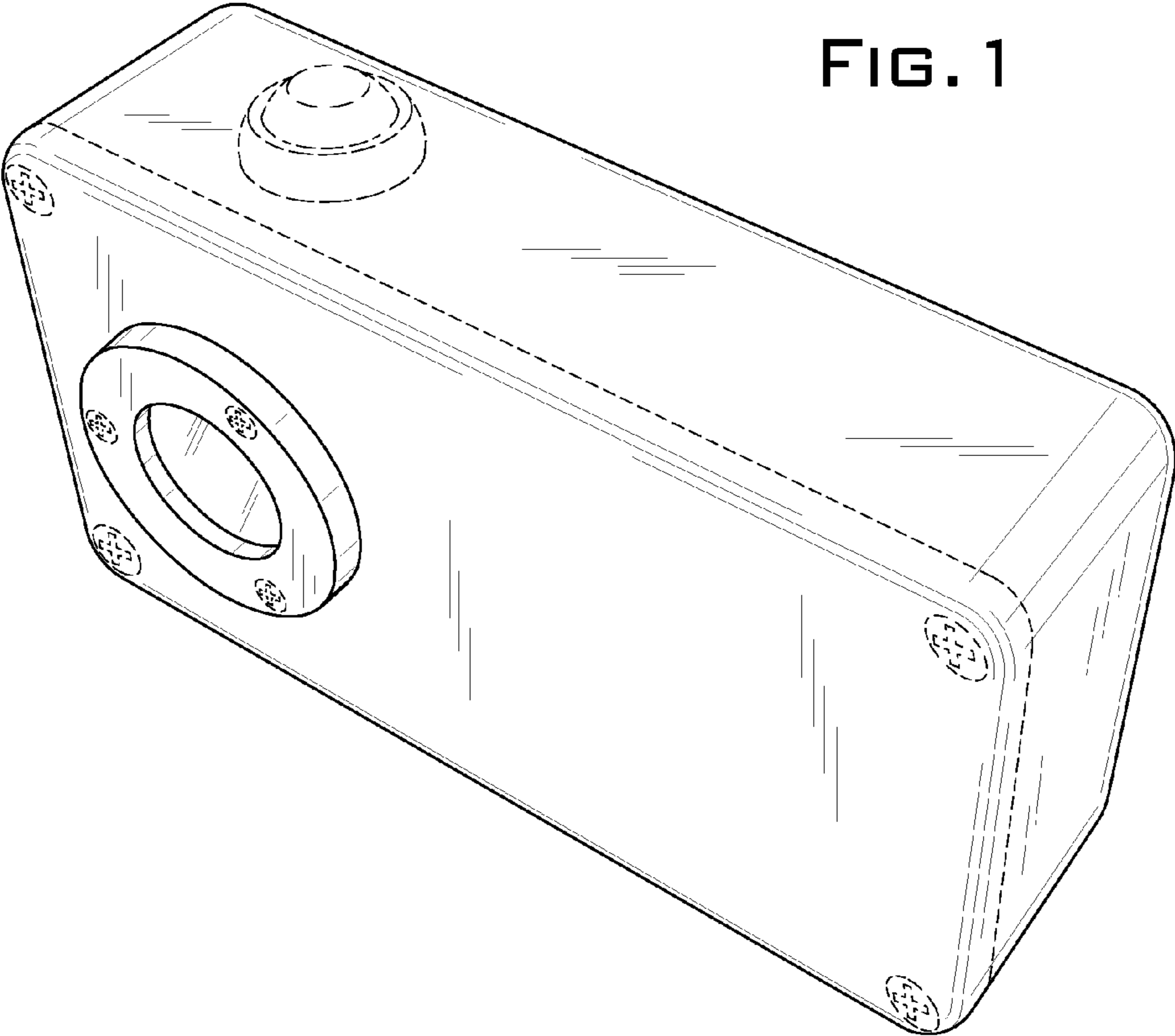


FIG. 1

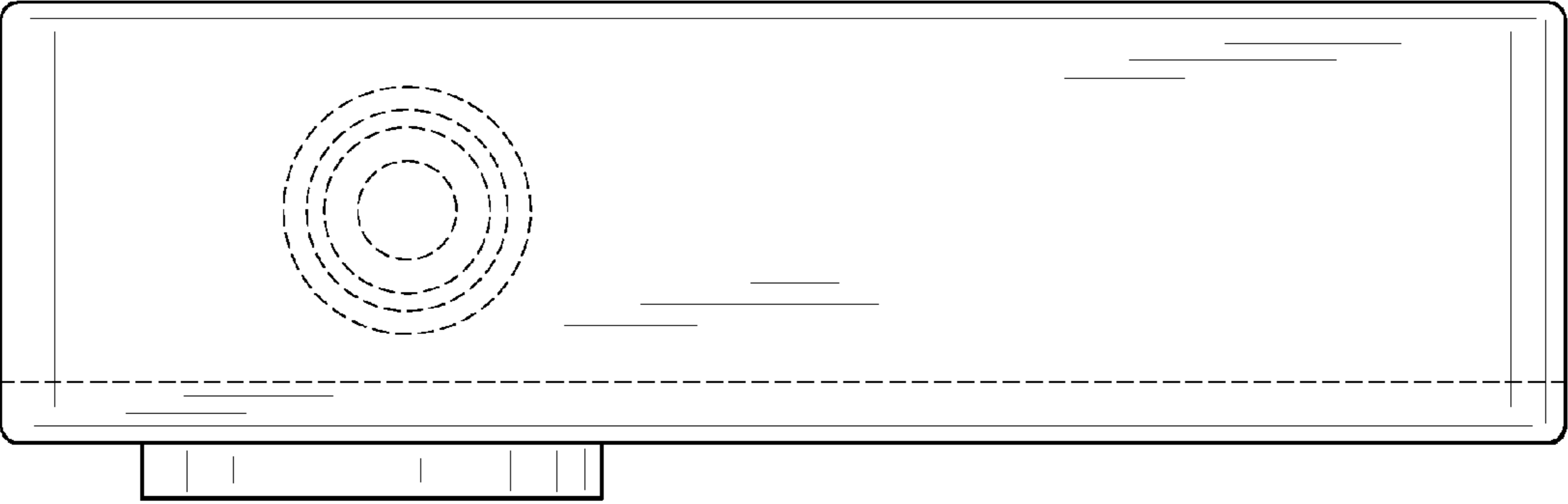


FIG. 2

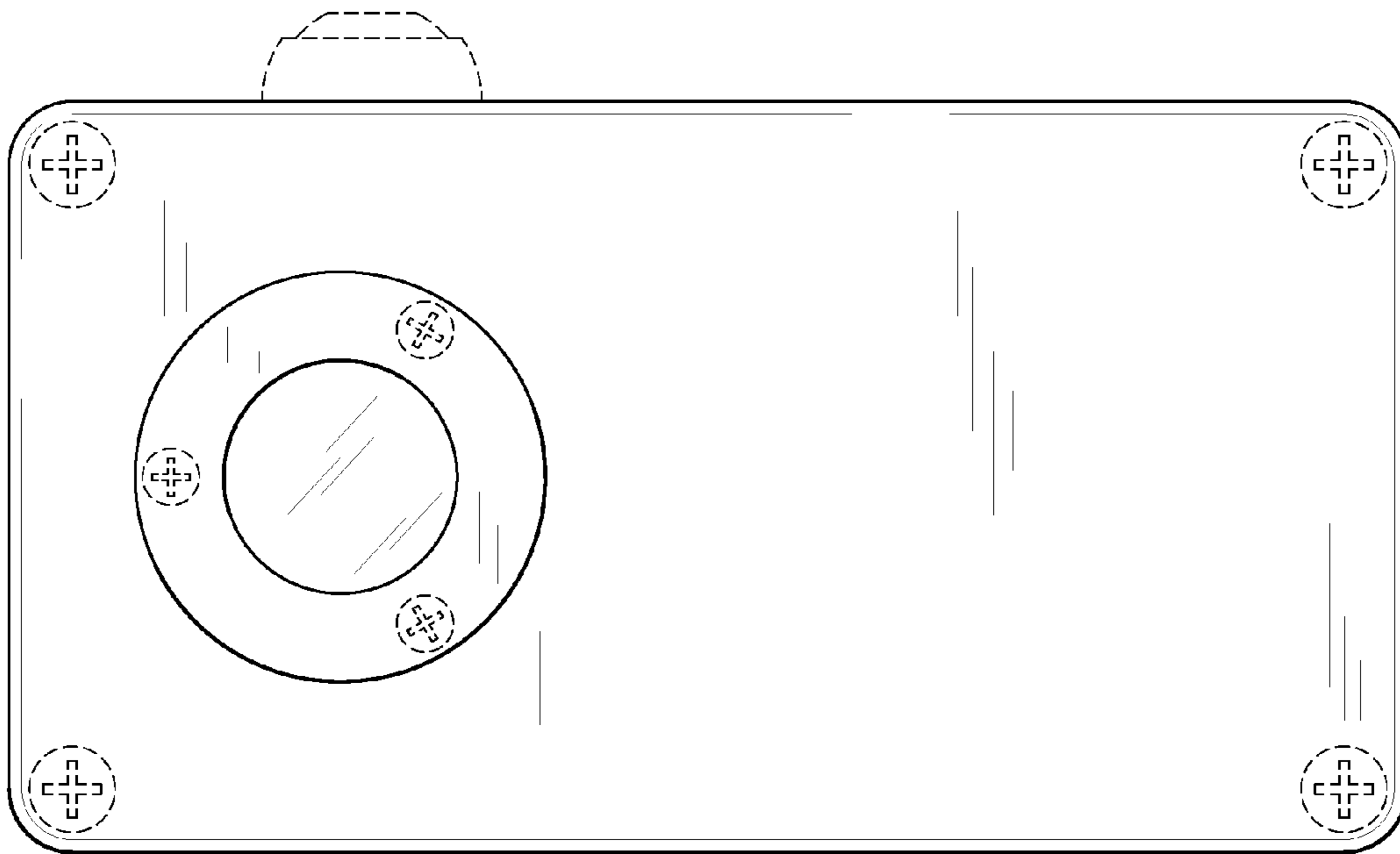


FIG. 3

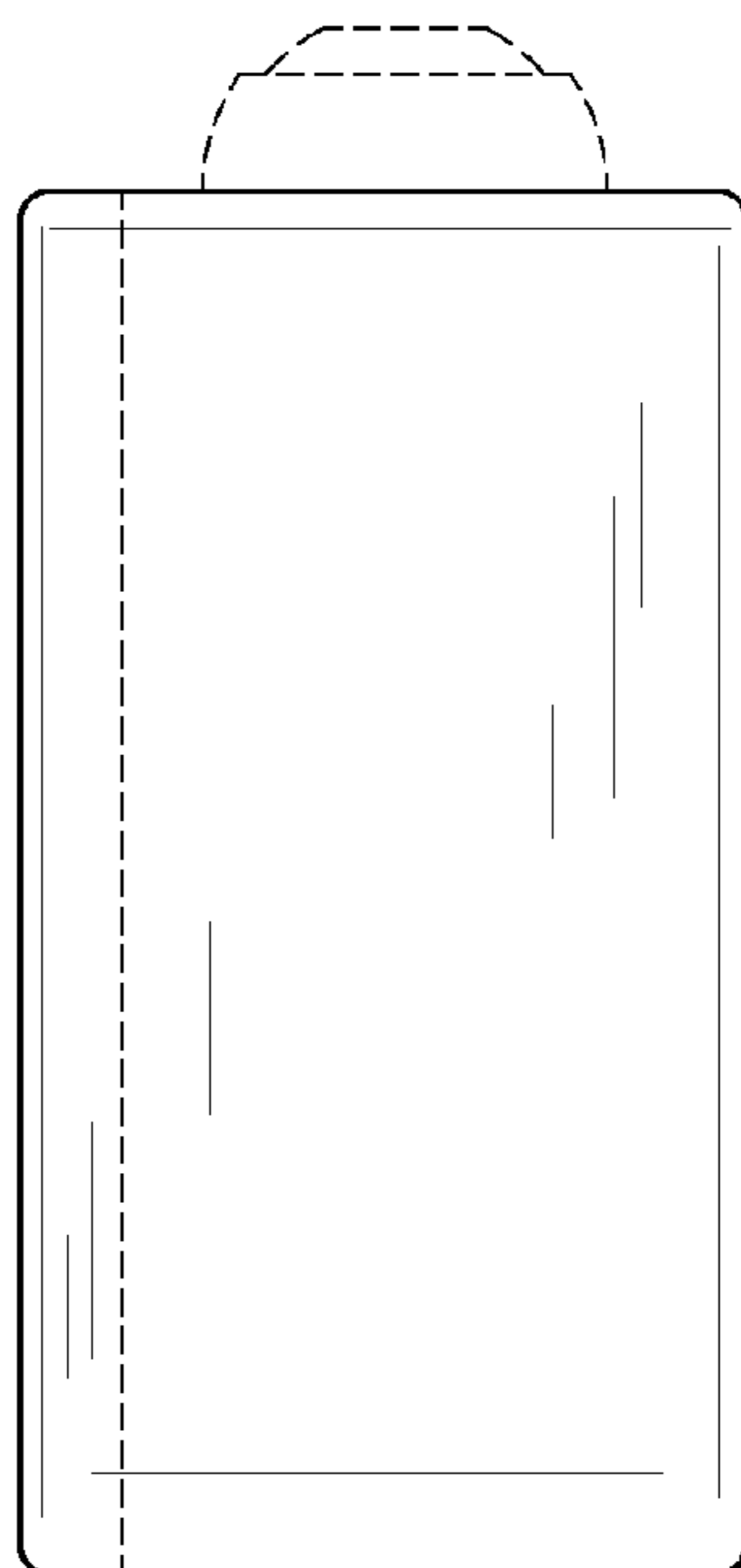


FIG. 4

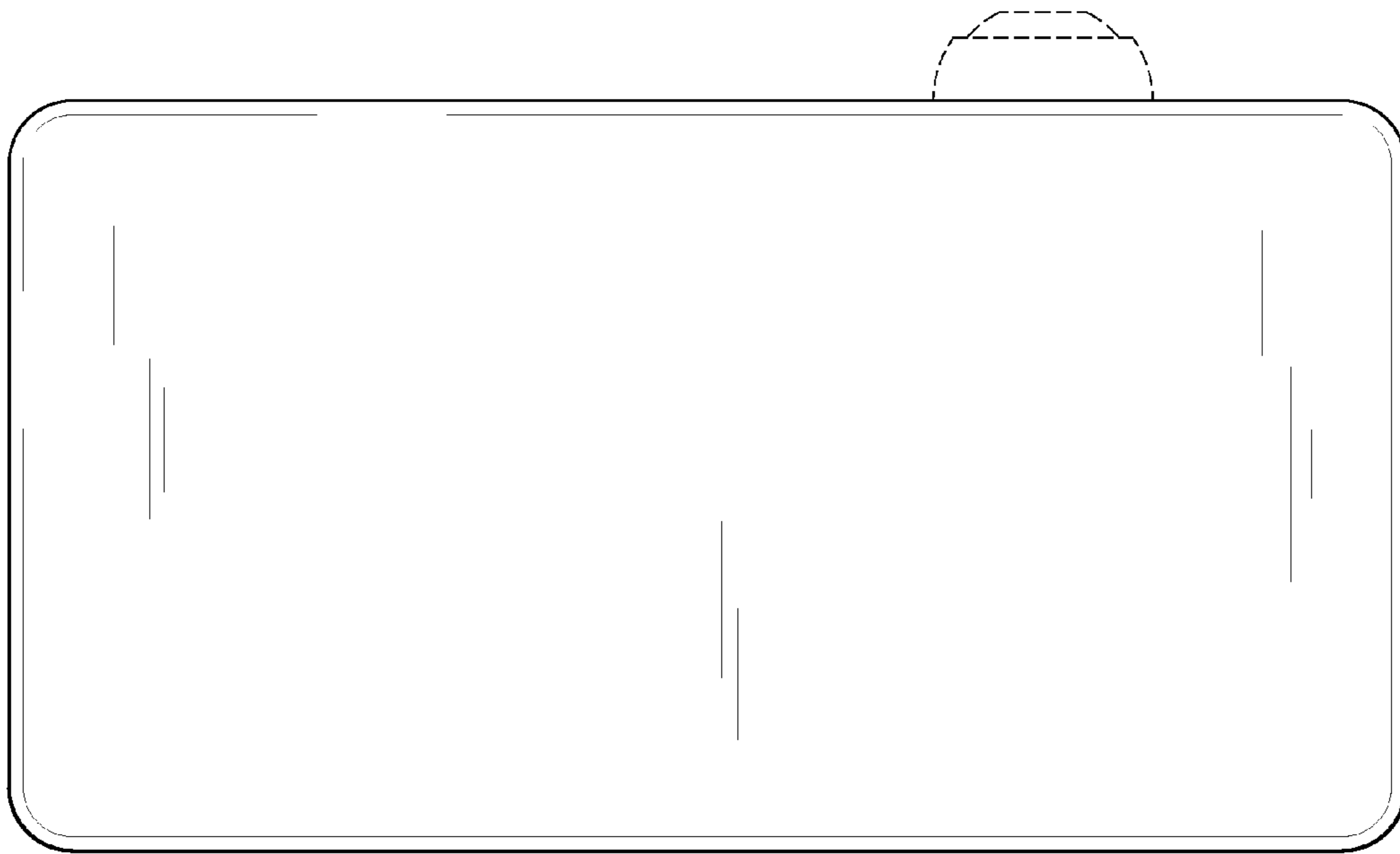


FIG. 5

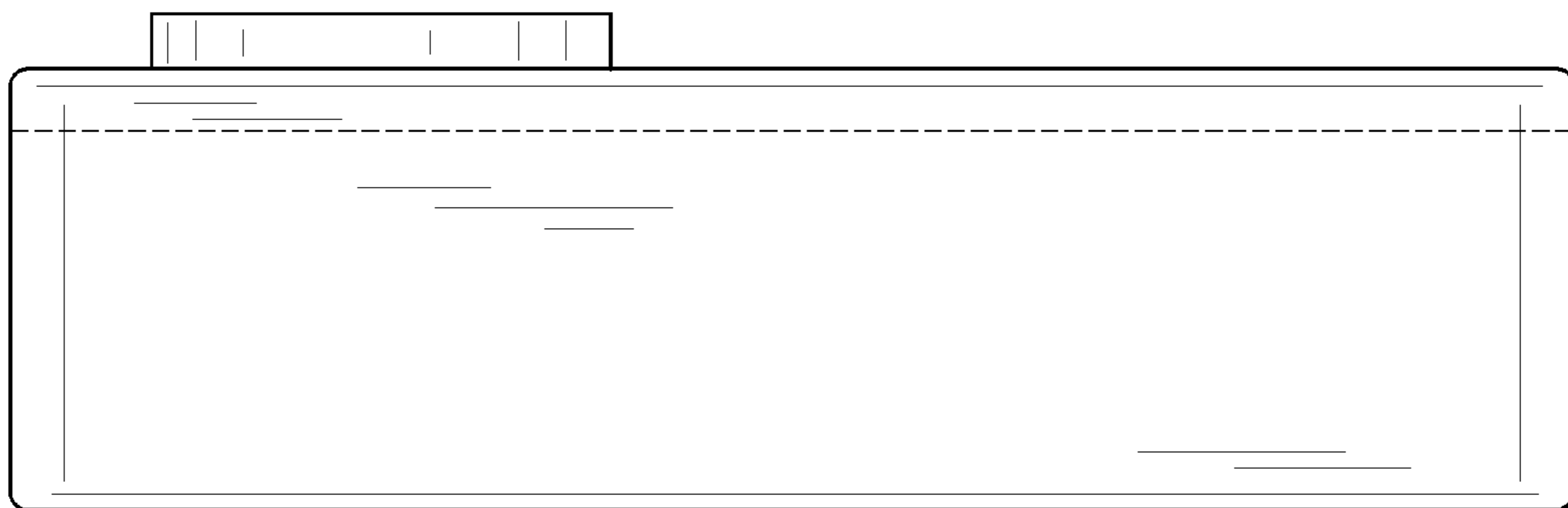


FIG. 6