

US00D699377S

(12) **United States Design Patent**
Thomas et al.

(10) **Patent No.:** **US D699,377 S**
(45) **Date of Patent:** **** Feb. 11, 2014**

(54) **LIGHT**
(71) Applicant: **Fiskars Brands, Inc.**, Madison, WI (US)
(72) Inventors: **Kyle Thomas**, Bellingham, WA (US);
Patrick Vaiden Hunt, Carlton, OR (US)
(73) Assignee: **Fiskars Brands, Inc.**, Madison, WI (US)
(**) Term: **14 Years**
(21) Appl. No.: **29/432,848**
(22) Filed: **Sep. 21, 2012**
(51) **LOC (10) Cl.** **26-02**
(52) **U.S. Cl.**
USPC **D26/37**
(58) **Field of Classification Search**
USPC D26/37, 38, 39, 46, 51; 362/157, 158,
362/183, 184, 194-196, 200-208; D8/33,
D8/34, 40
See application file for complete search history.

7,690,815 B2 4/2010 Dallas et al.
D616,125 S * 5/2010 Kang et al. D26/37
D622,125 S * 8/2010 Robinson D8/105
D634,460 S * 3/2011 Seal et al. D26/37
7,909,478 B2 3/2011 Dallas
D652,971 S * 1/2012 Ormsbee et al. D26/38
2007/0139917 A1* 6/2007 Ford et al. 362/208

OTHER PUBLICATIONS

U.S. Appl. No. 29/432,846, filed Sep. 21, 2012, Thomas et al.
U.S. Appl. No. 29/432,847, filed Sep. 21, 2012, Thomas et al.

* cited by examiner

Primary Examiner — Ian Simmons
Assistant Examiner — Carissa C Fitts
(74) *Attorney, Agent, or Firm* — Foley & Lardner LLP

(57) **CLAIM**

We claim the ornamental design for a light, as shown and described.

DESCRIPTION

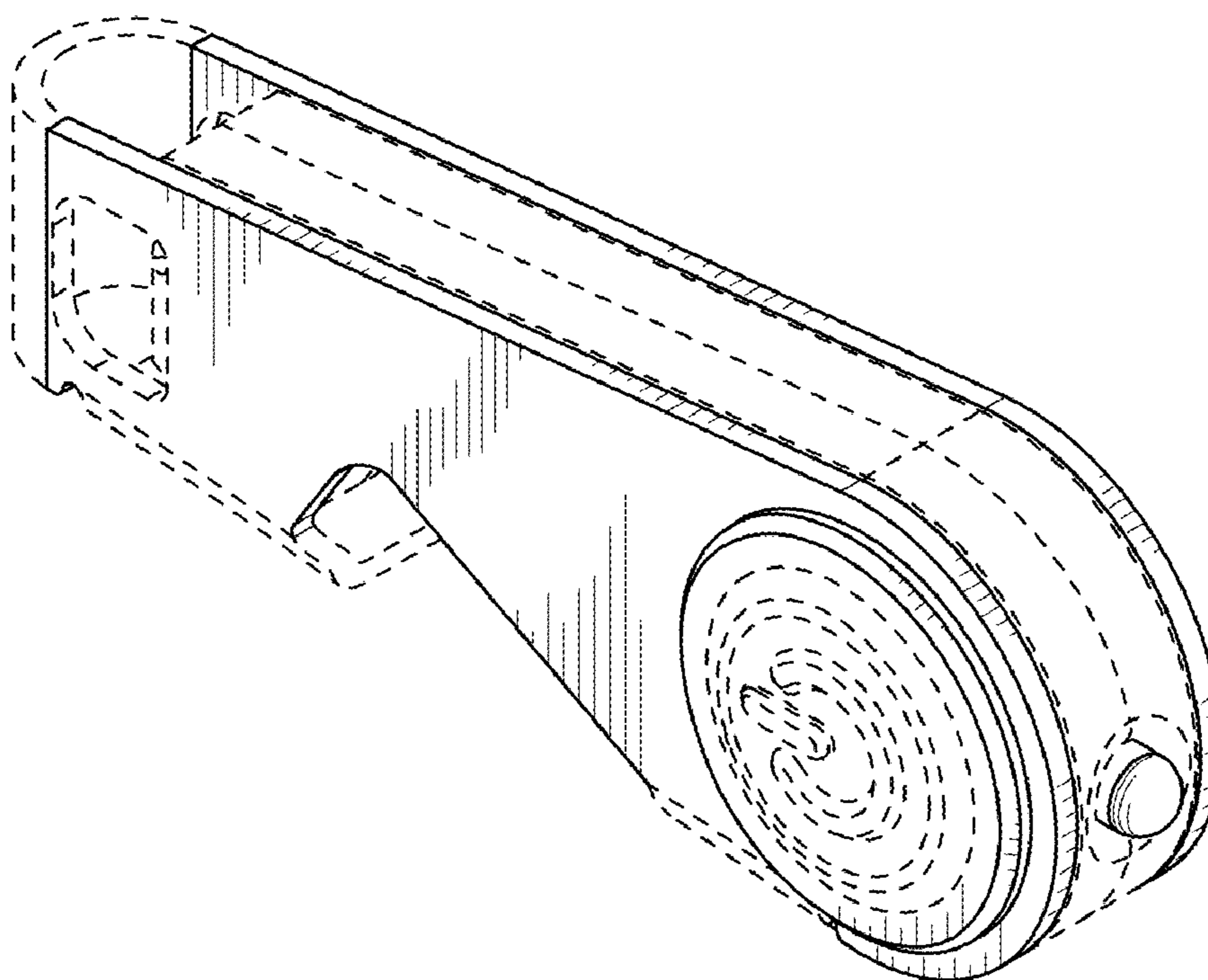
FIG. 1 is a perspective view of the claimed light according to one embodiment.
FIG. 2 is a left side view thereof.
FIG. 3 is a right side view thereof.
FIG. 4 is a front view thereof.
FIG. 5 is a rear view thereof.
FIG. 6 is top view thereof; and,
FIG. 7 is a bottom view thereof.
The broken lines in the drawings are for illustrative purposes only and form no part of the claimed design.

1 Claim, 3 Drawing Sheets

(56) **References Cited**

U.S. PATENT DOCUMENTS

D328,357 S * 7/1992 Schneider D26/46
D367,087 S * 2/1996 Mathews D21/483
D445,928 S * 7/2001 Sharrah et al. D26/38
D446,324 S * 8/2001 Lynch et al. D26/37
D450,229 S * 11/2001 Lin D8/107
6,366,028 B1 4/2002 Wener et al.
D524,964 S * 7/2006 Thuma et al. D26/38
D610,727 S 2/2010 Nyssen
D614,017 S * 4/2010 Bender D8/356



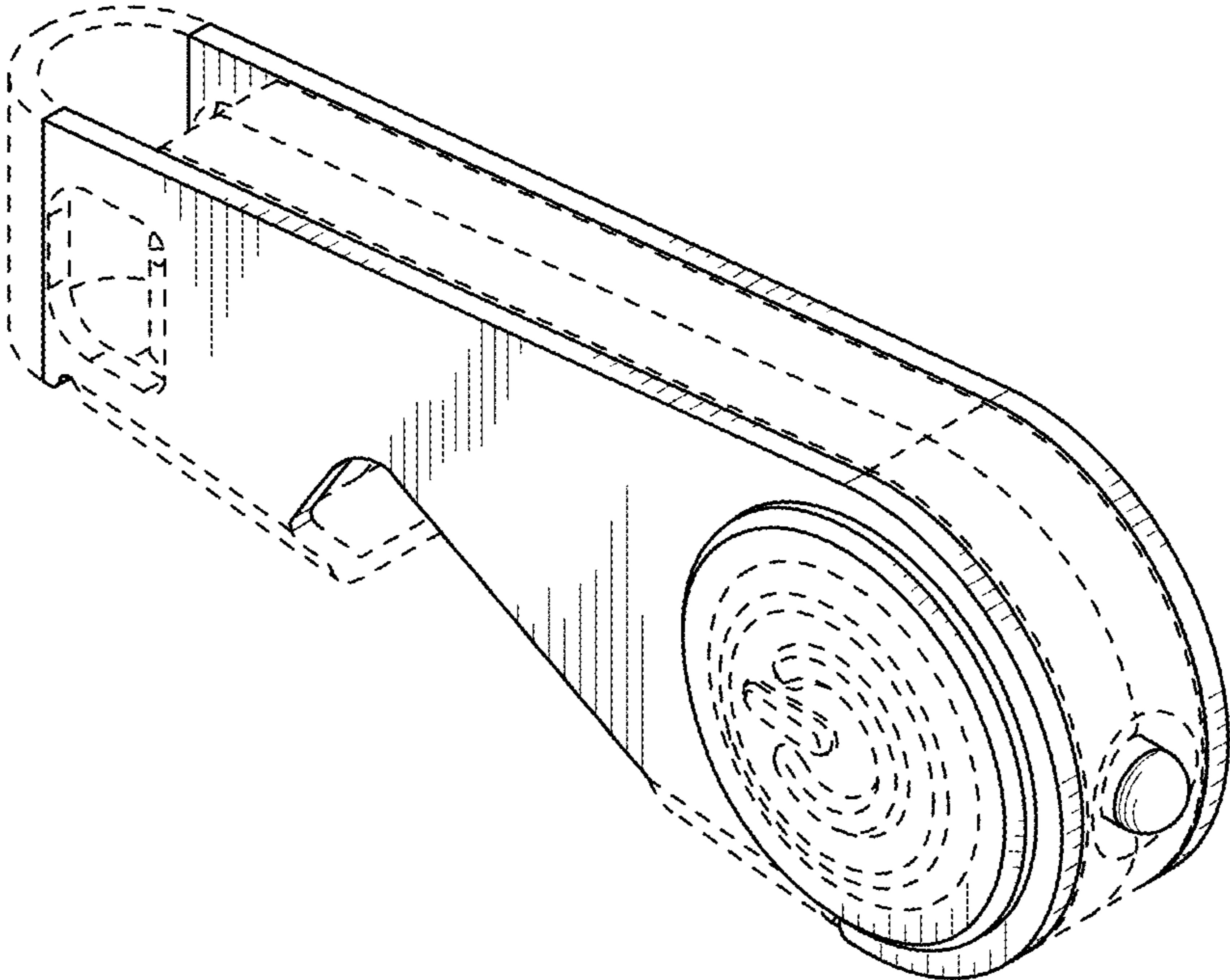


FIG. 1

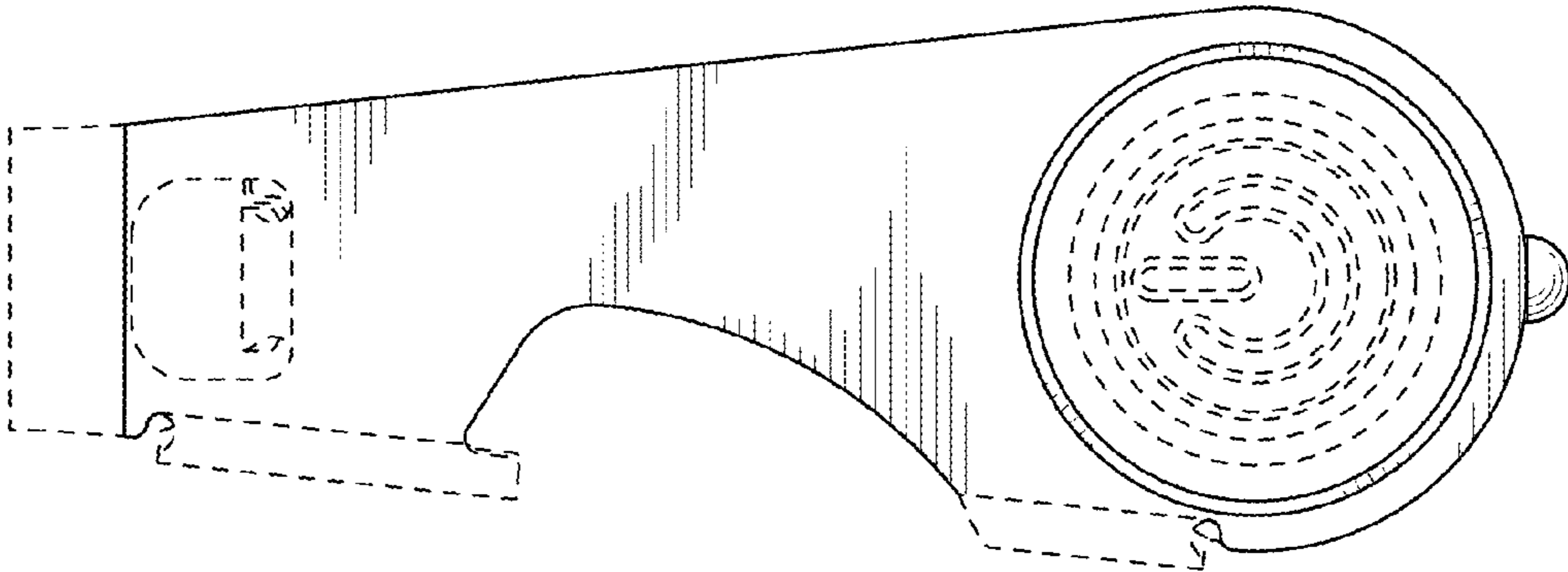


FIG. 2

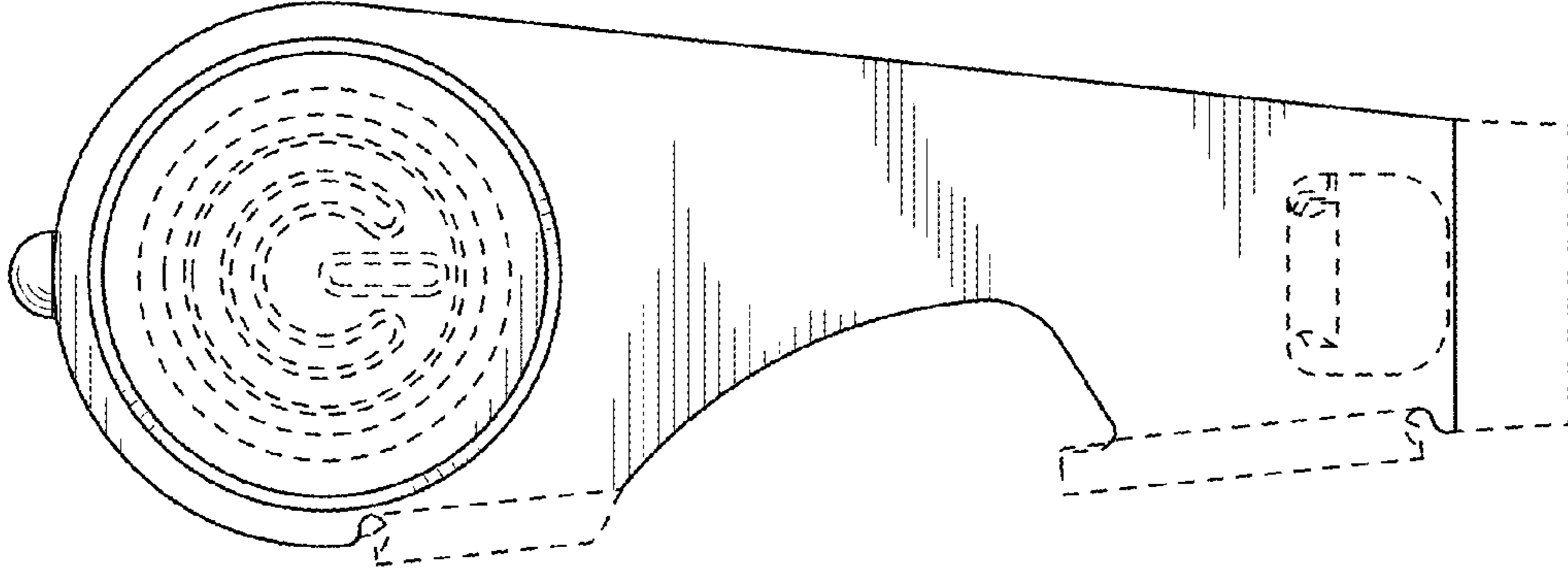


FIG. 3

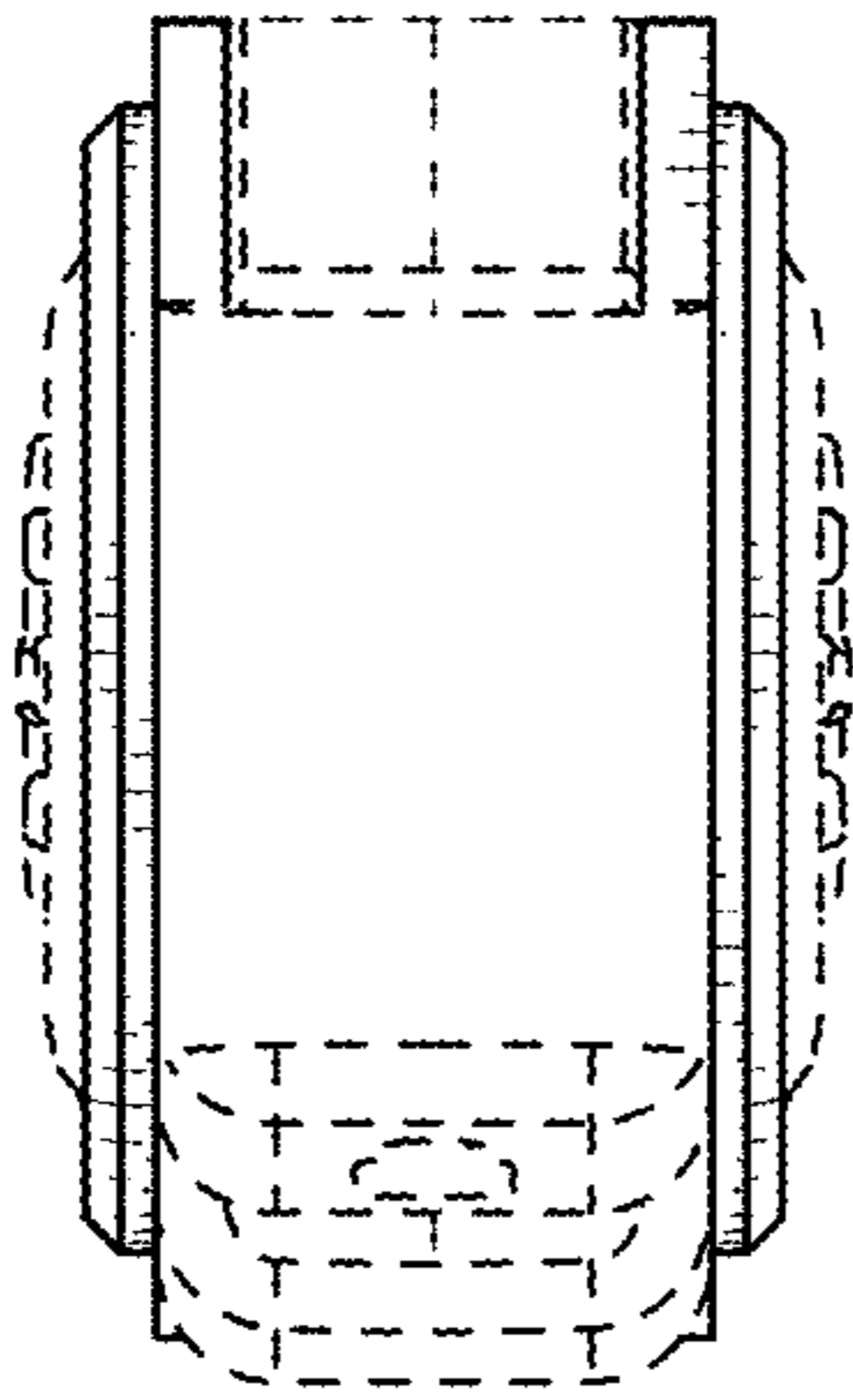


FIG. 4

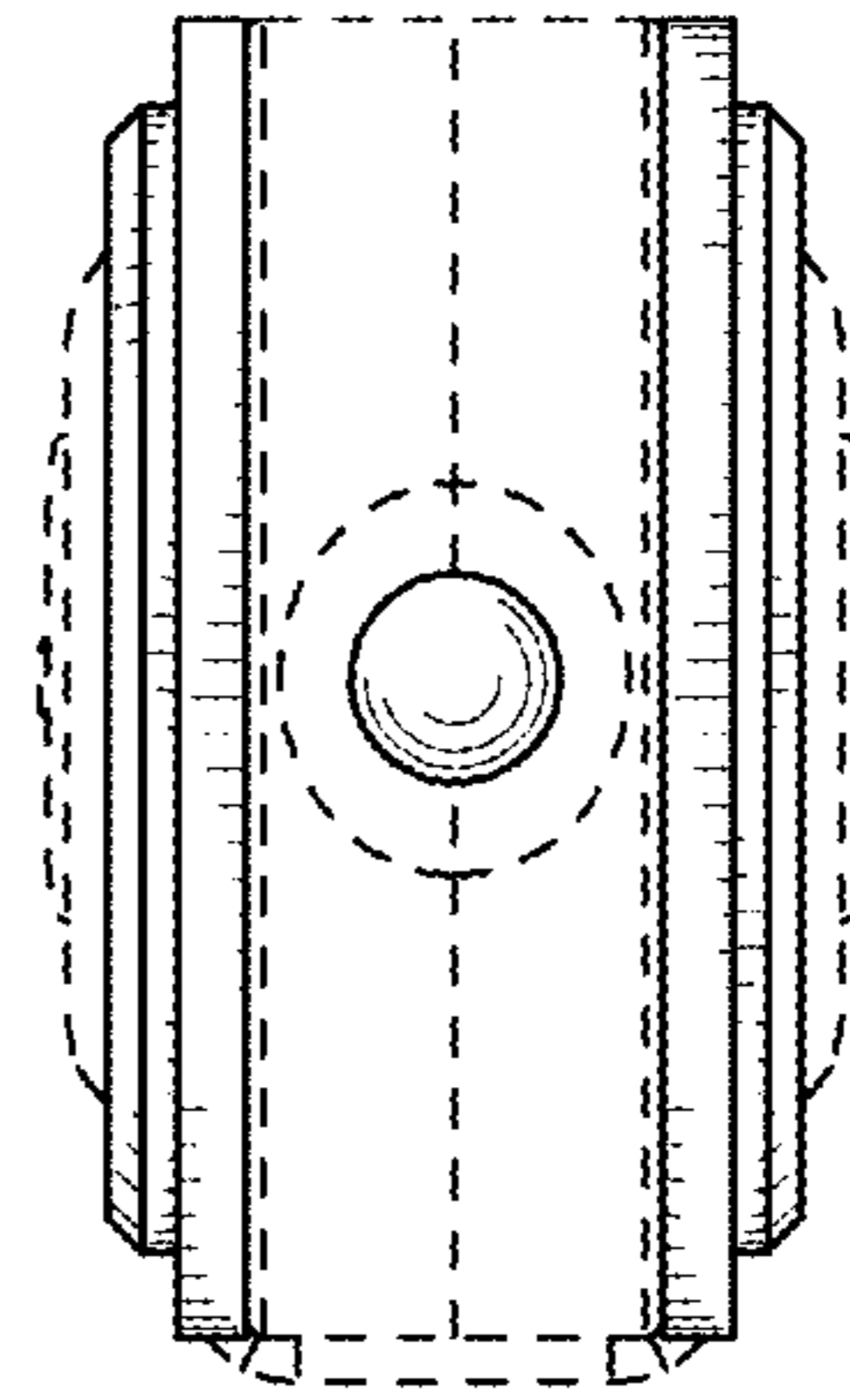


FIG. 5

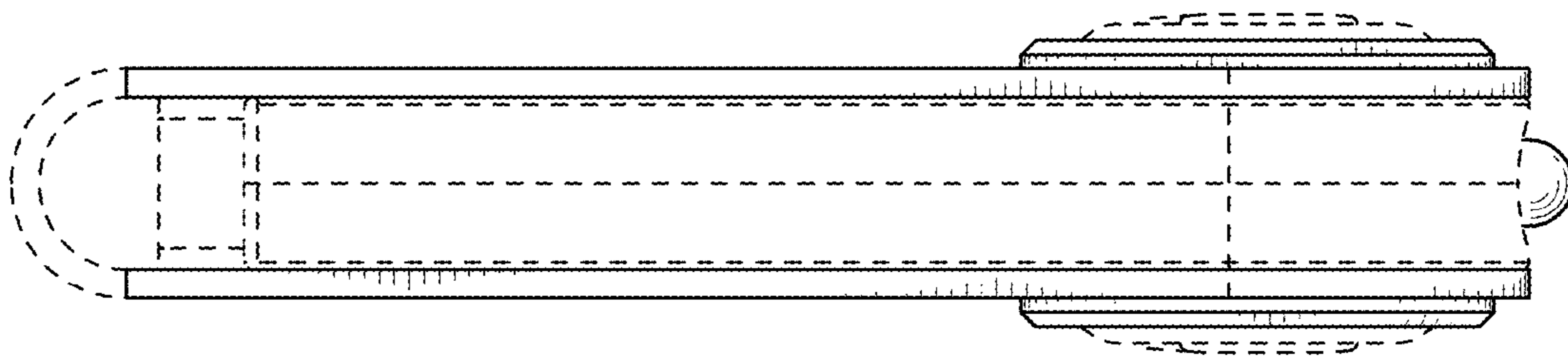


FIG. 6

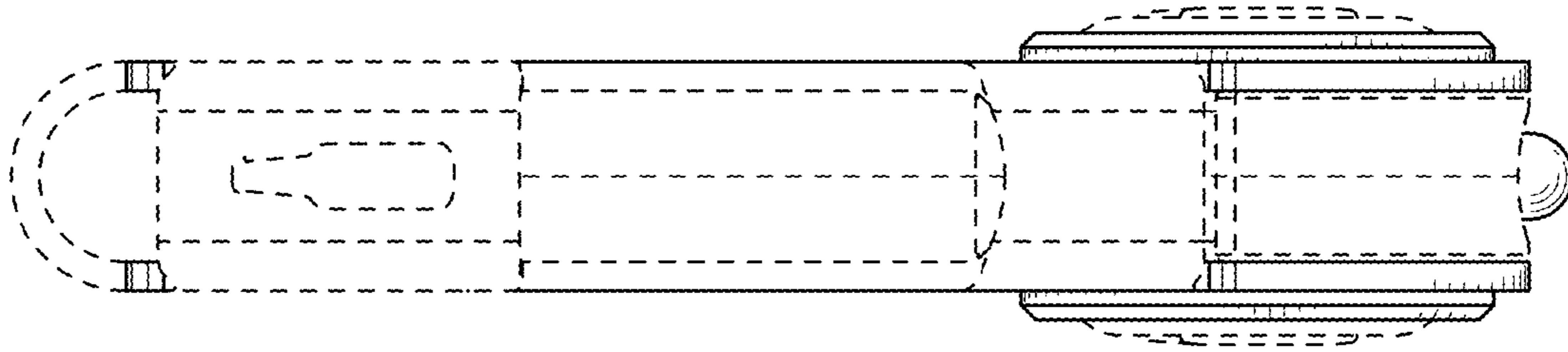


FIG. 7