



US00D699376S

(12) **United States Design Patent**
Kim

(10) **Patent No.:** **US D699,376 S**

(45) **Date of Patent:** **** Feb. 11, 2014**

(54) **OLED LIGHT MODULE**

(75) Inventor: **Steven Kim**, Seoul (KR)

(73) Assignee: **Cheorwon Plasma Research Institute**,
Cheorwon-gun, Gangwon-do (KR)

(**) Term: **14 Years**

(21) Appl. No.: **29/428,038**

(22) Filed: **Jul. 25, 2012**

(51) **LOC (10) Cl.** **26-02**

(52) **U.S. Cl.**
USPC **D26/37; D26/1**

(58) **Field of Classification Search**
USPC D26/1-4, 37-50; 362/157-174,
362/183-206
See application file for complete search history.

(56) **References Cited**

U.S. PATENT DOCUMENTS

D383,228 S * 9/1997 Petruzzi D26/37
D390,677 S * 2/1998 Hanewinkel, III D26/37
D402,067 S * 12/1998 Sinclair D26/37

D410,759 S * 6/1999 Petruzzi D26/37
D411,765 S * 7/1999 Holihan D3/247
D435,675 S * 12/2000 Sinclair D26/37
D663,060 S * 7/2012 Egawa et al. D26/37

* cited by examiner

Primary Examiner — Marcus Jackson

(74) *Attorney, Agent, or Firm* — Fox Rothschild, LLP

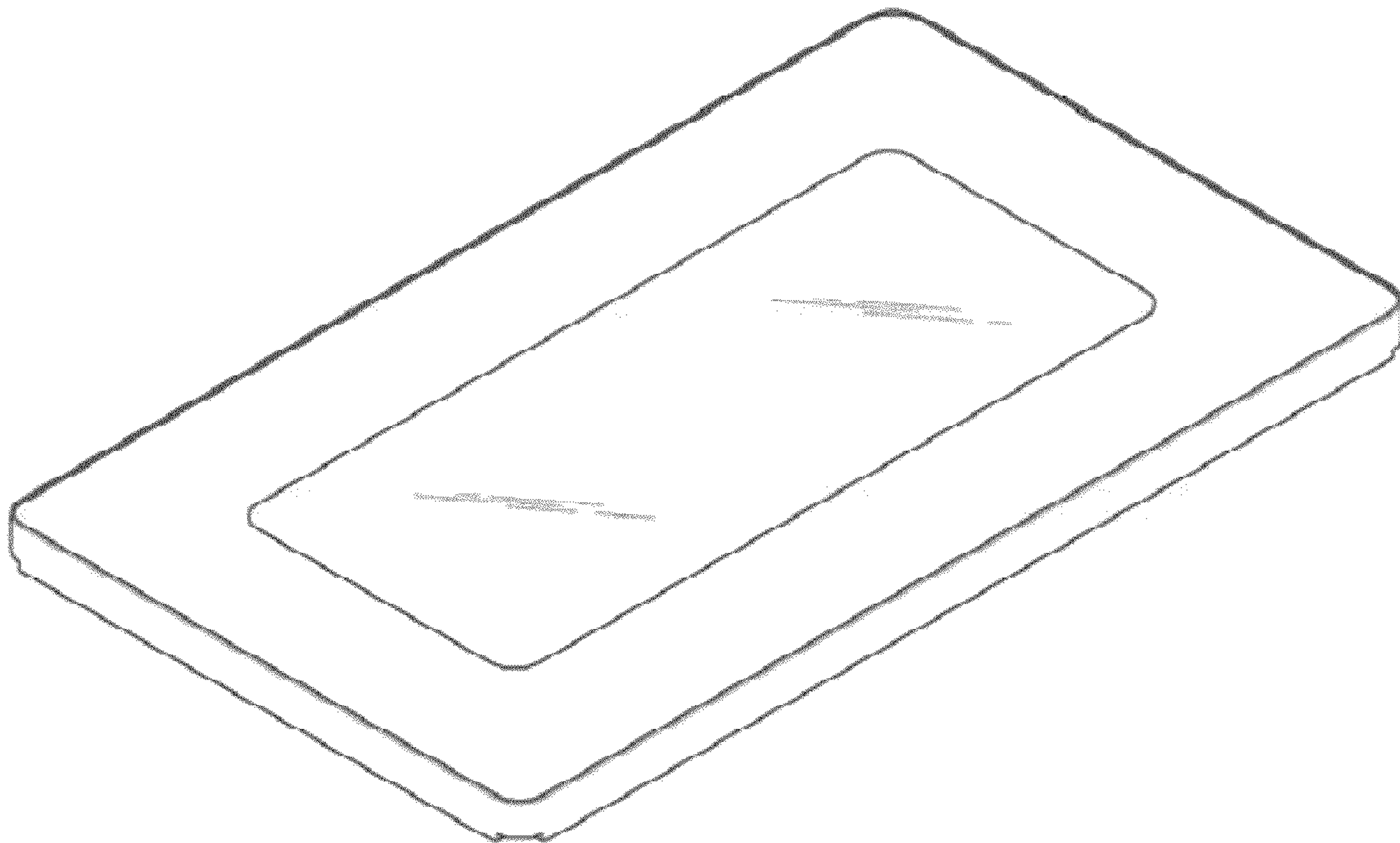
(57) **CLAIM**

The ornamental design for a OLED light module, as shown and described.

DESCRIPTION

FIG. 1 is a perspective view of the OLED light module of the present design;
FIG. 2 is a front elevation view thereof;
FIG. 3 is a rear elevation view thereof;
FIG. 4 is a left side elevation view thereof;
FIG. 5 is a right side elevation view thereof;
FIG. 6 is a top plan view thereof; and,
FIG. 7 is a bottom plan view thereof.
The broken lines in the figures are for illustrative purposes only and form no part of the claimed invention.

1 Claim, 3 Drawing Sheets



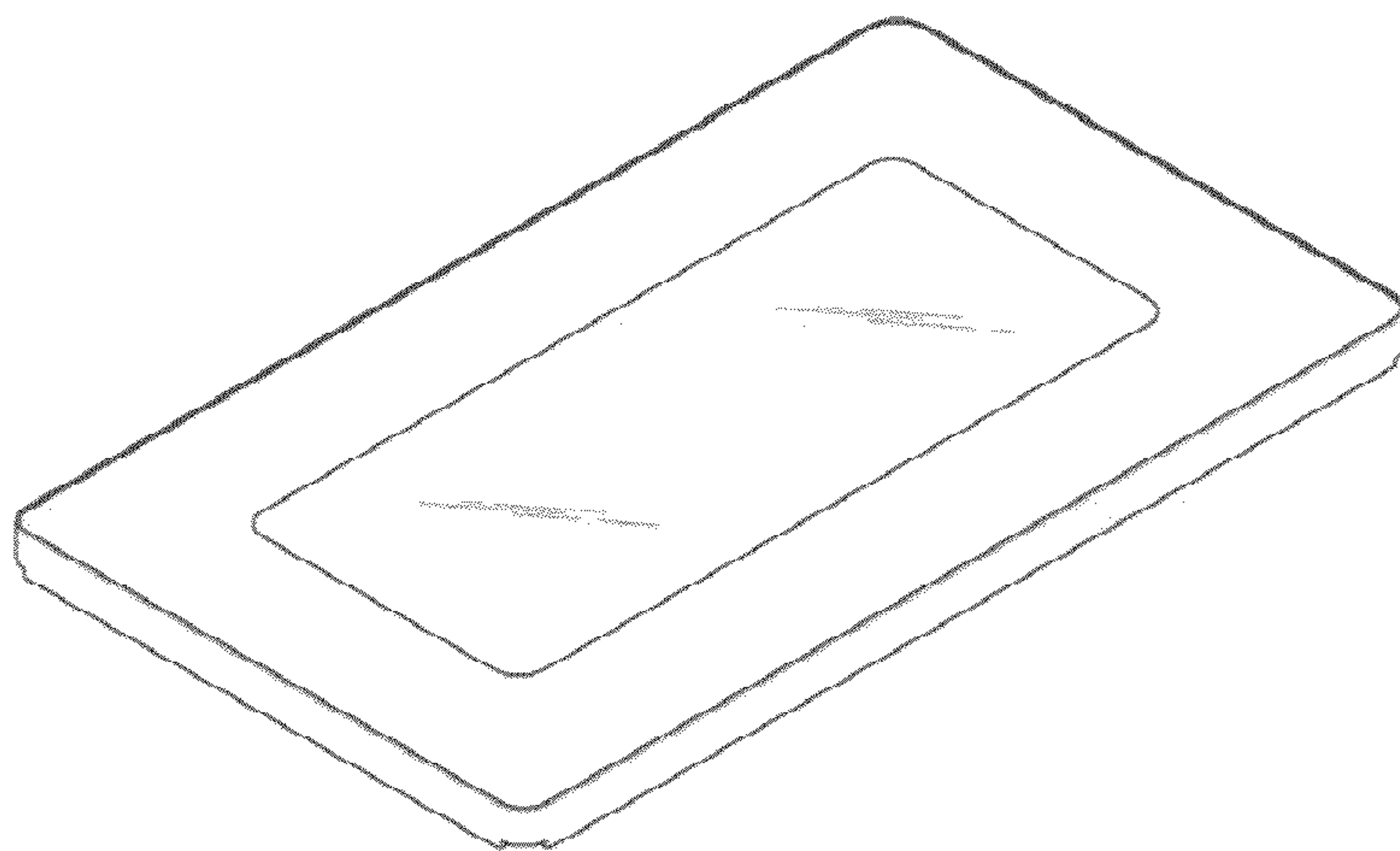


FIG. 1

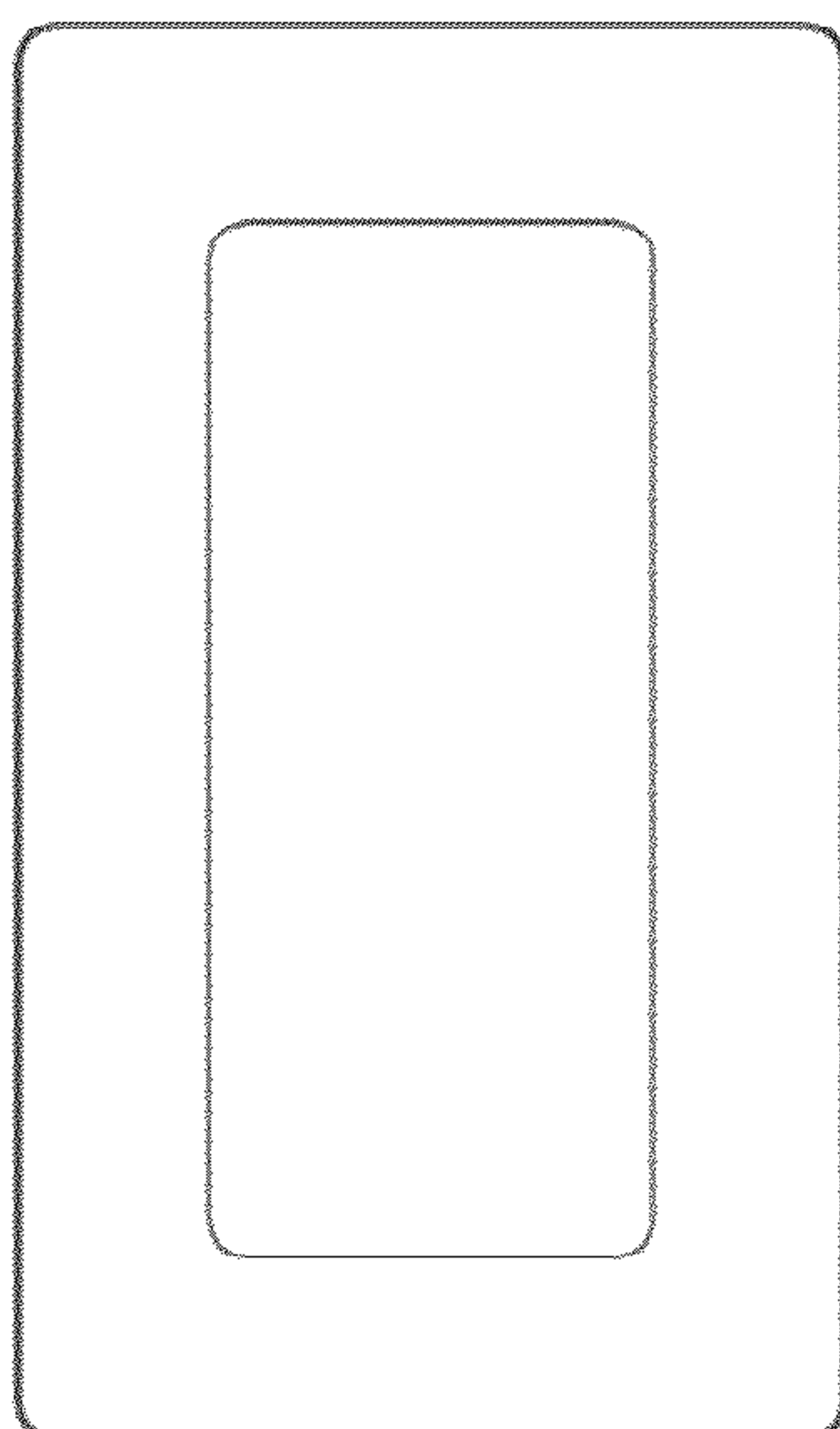


FIG. 2

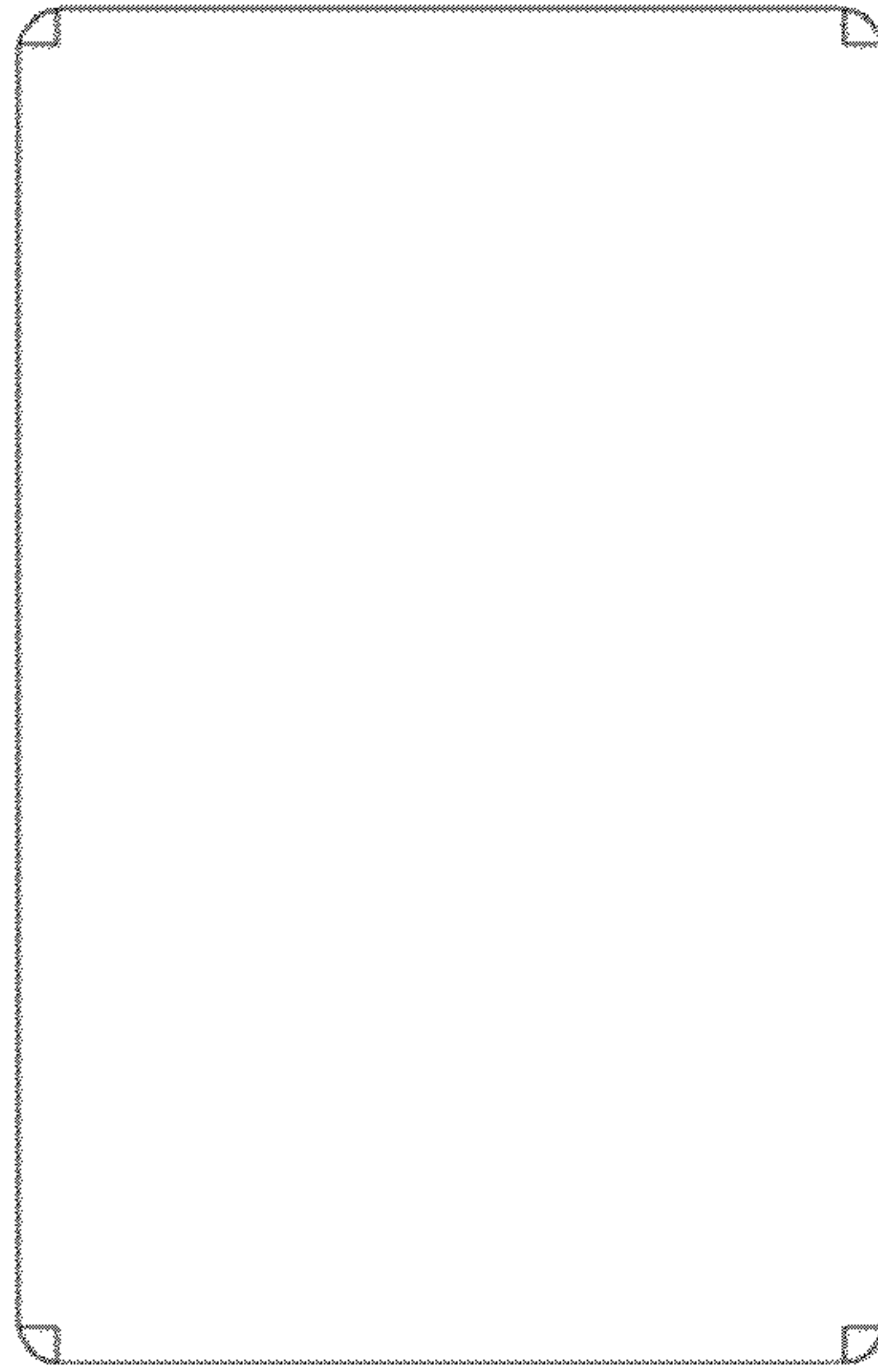


FIG. 3



FIG. 4



FIG. 5

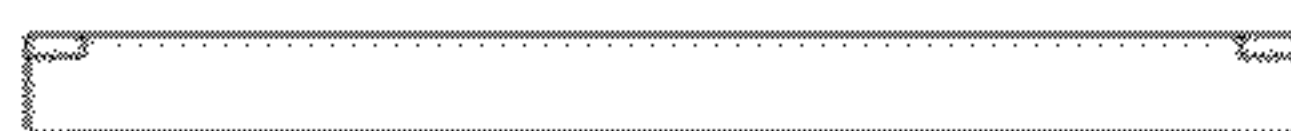


FIG. 6

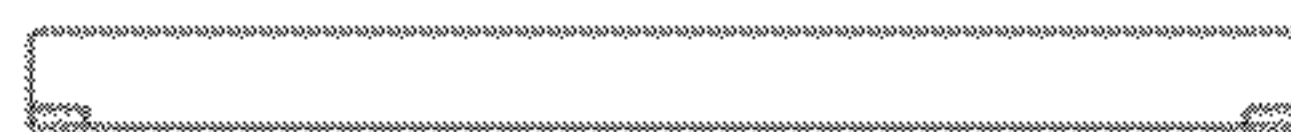


FIG. 7