

US00D699369S

(12) **United States Design Patent**
Fonseca

(10) **Patent No.:** **US D699,369 S**

(45) **Date of Patent:** **** Feb. 11, 2014**

(54) **COVER FOR A BIOLOGICAL ARRAY
HOLDER**

(71) Applicant: **Life Technologies Corporation,**
Carlsbad, CA (US)

(72) Inventor: **Jorge Fonseca,** Carlsbad, CA (US)

(73) Assignee: **Life Technologies Corporation,**
Carlsbad, CA (US)

(**) Term: **14 Years**

(21) Appl. No.: **29/448,100**

(22) Filed: **Mar. 8, 2013**

(51) **LOC (10) Cl.** **24-01**

(52) **U.S. Cl.**
USPC **D24/224**

(58) **Field of Classification Search**
USPC D24/216, 223, 224, 225, 226, 227, 229,
D24/230, 231, 232; D10/81; D3/201, 203.1;
435/288.1–288.4, 304.1–304.3, 305.1,
435/305.2, 307, 294.1; 422/547, 549,
422/550–559; 220/737, 739, 903;
206/530.534; 215/235–237

See application file for complete search history.

(56) **References Cited**

U.S. PATENT DOCUMENTS

D283,159 S * 3/1986 Godsey D24/223
D309,012 S * 7/1990 Vcelka D24/223

D319,103 S * 8/1991 Chiu D24/223
D352,116 S * 11/1994 Kienholz D24/227
D378,941 S * 4/1997 Lahm et al. D24/224
D465,282 S * 11/2002 Cecchi D24/216
D491,273 S * 6/2004 Biegler et al. D24/216
D497,209 S * 10/2004 Ukon D24/223
7,036,667 B2 * 5/2006 Greenstein et al. 206/723
D525,714 S * 7/2006 Ueda D24/227
D600,578 S * 9/2009 Tsuji D24/232
D681,843 S * 5/2013 Nemeth D24/224

* cited by examiner

Primary Examiner — Anhdao Doan

(57) **CLAIM**

The ornamental design for a cover for a biological array holder, as shown and described.

DESCRIPTION

FIG. 1 is a front perspective of an embodiment of a cover for a biological array holder;

FIG. 2 is a back perspective of the cover shown in FIG. 1

FIG. 3 is a front view of the cover shown in FIG. 1;

FIG. 4 is a back view of the cover shown in FIG. 1;

FIG. 5 is a side view of the cover shown in FIG. 1;

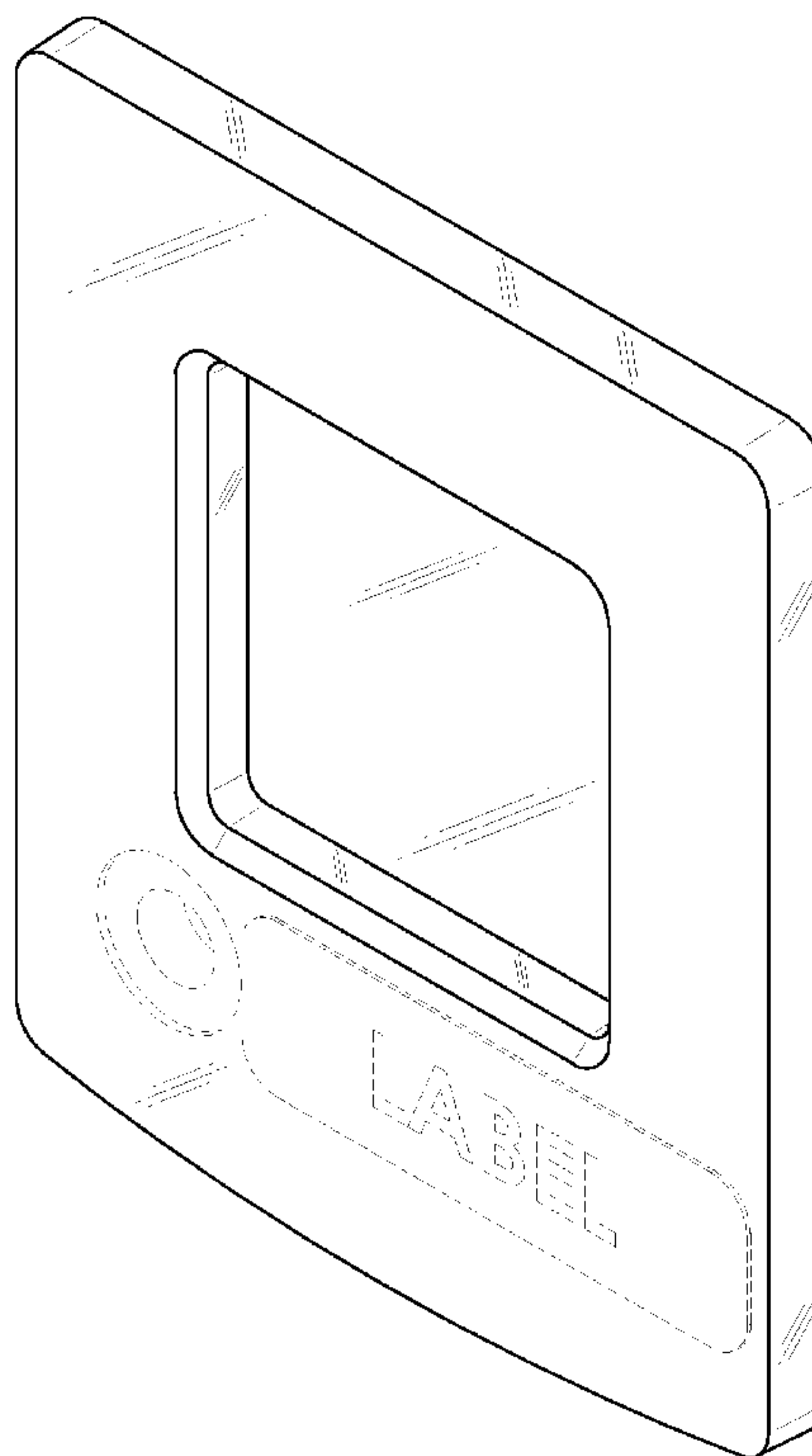
FIG. 6 is a side view of the cover shown in FIG. 1;

FIG. 7 is a top view of the cover shown in FIG. 1; and,

FIG. 8 is a bottom view of the cover shown in FIG. 1.

The broken lines in the drawings are included for the purpose of illustrating portions of the cover for a biological array holder that form no part of the claimed design.

1 Claim, 6 Drawing Sheets



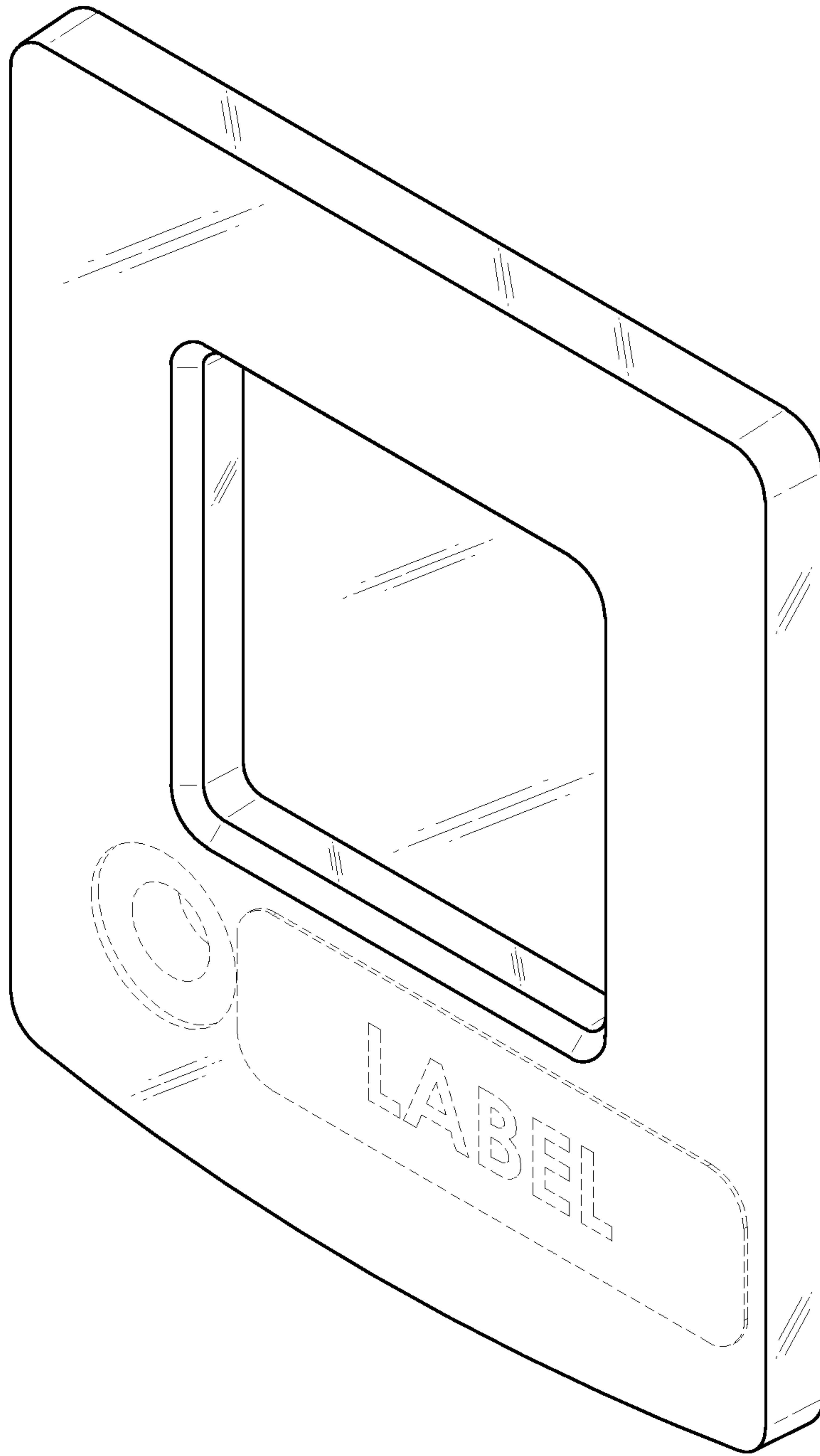


FIG. 1

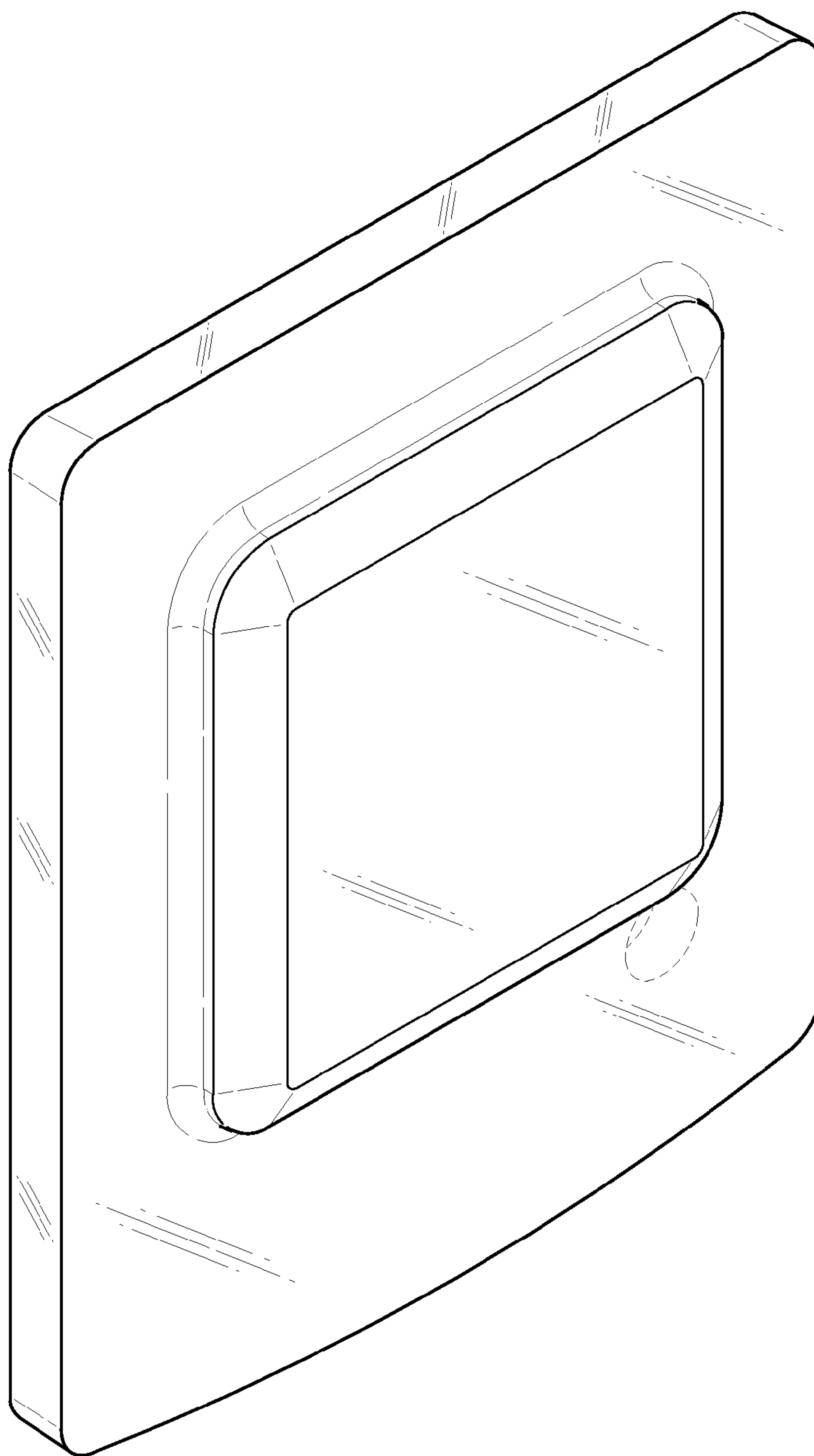


FIG. 2

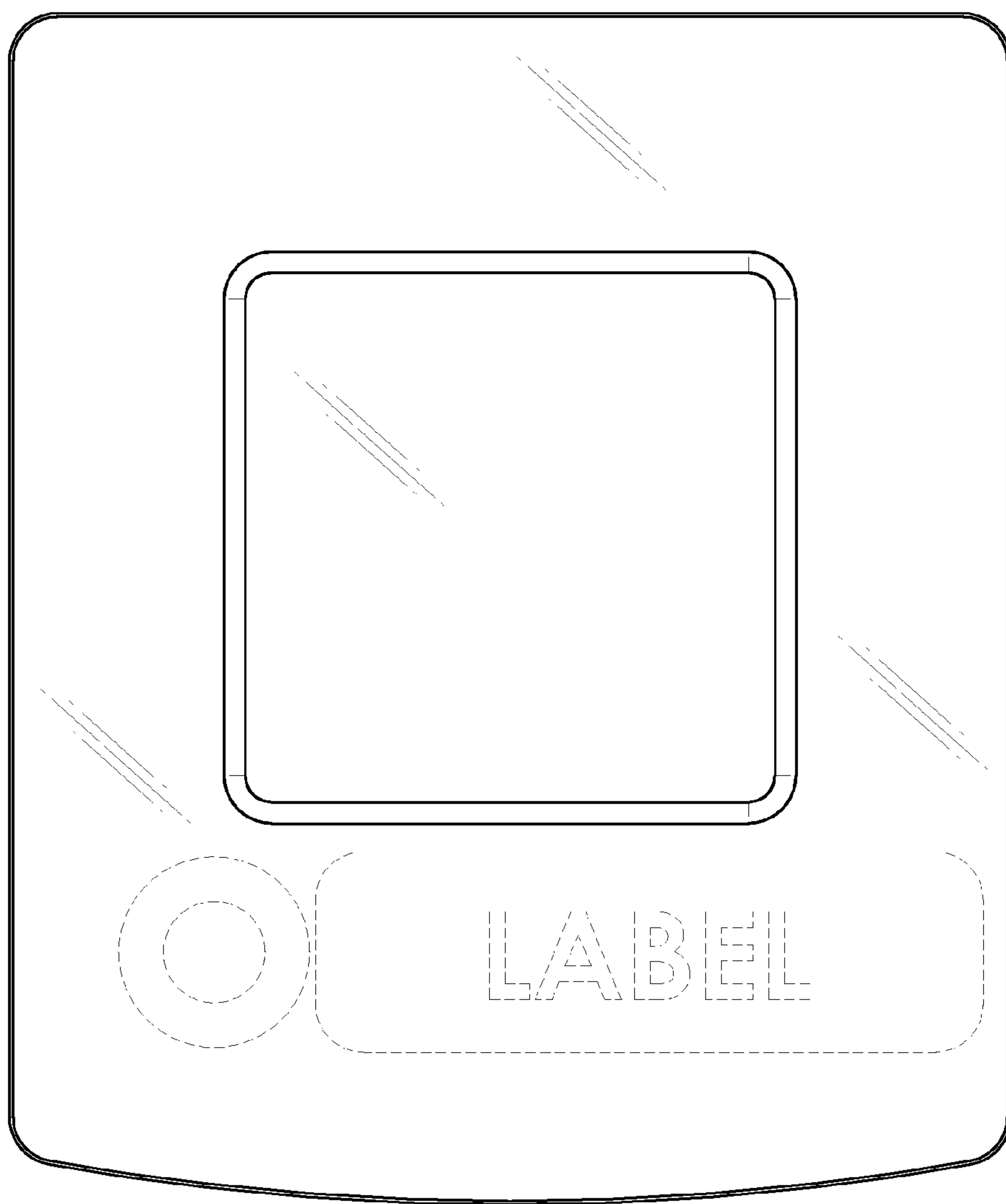


FIG. 3

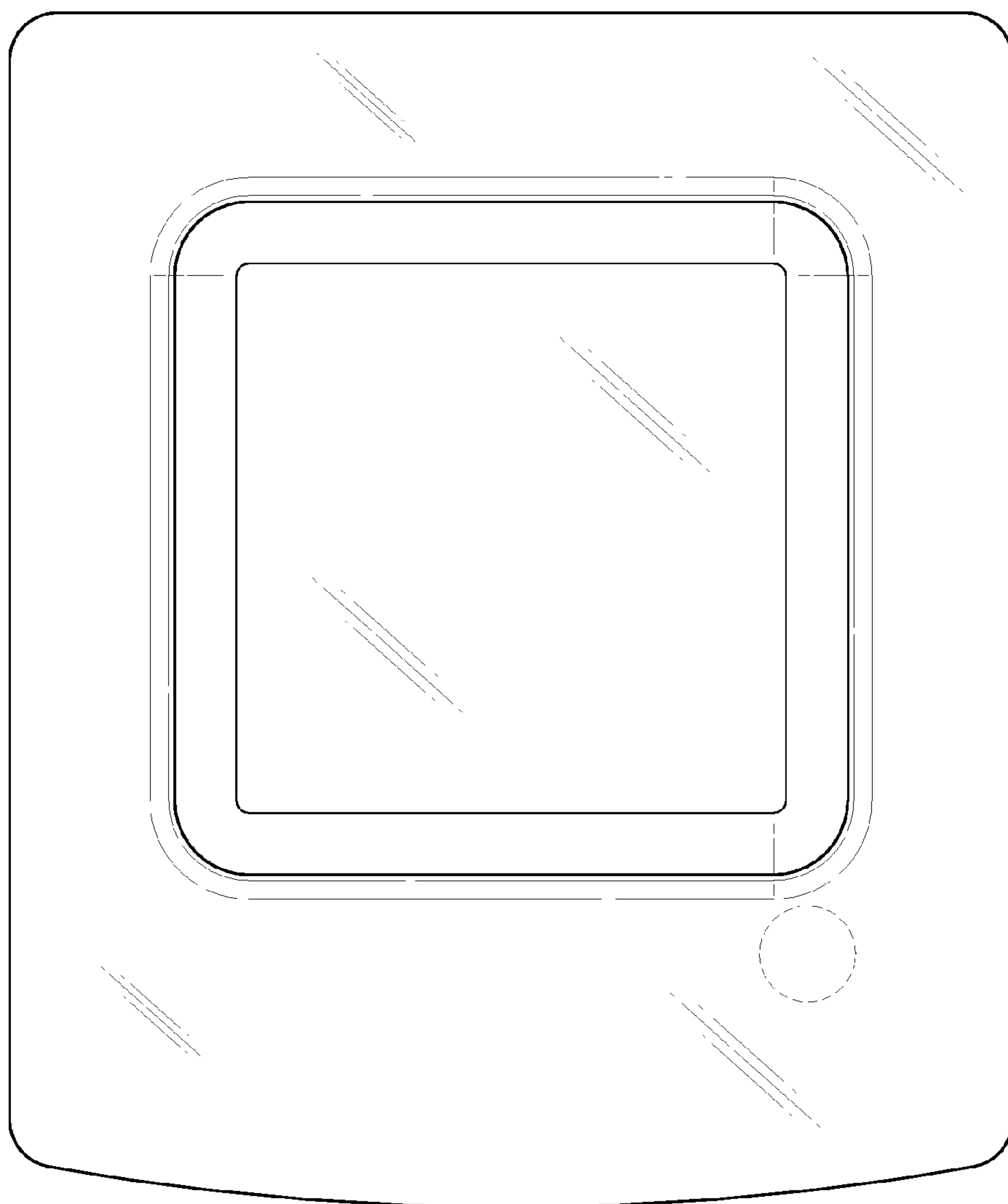


FIG. 4

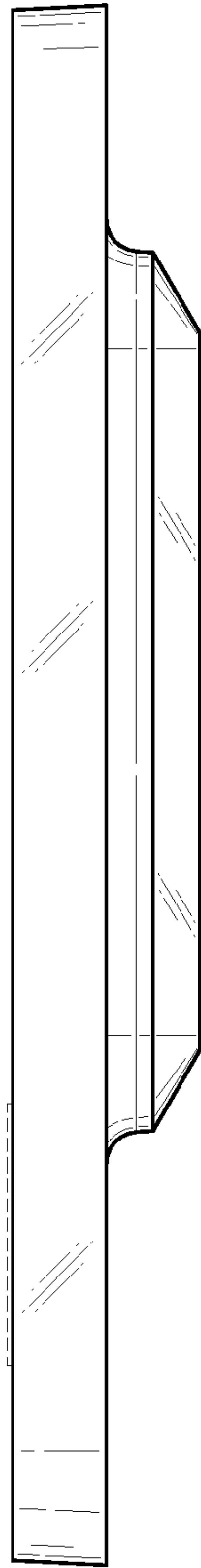


FIG. 5

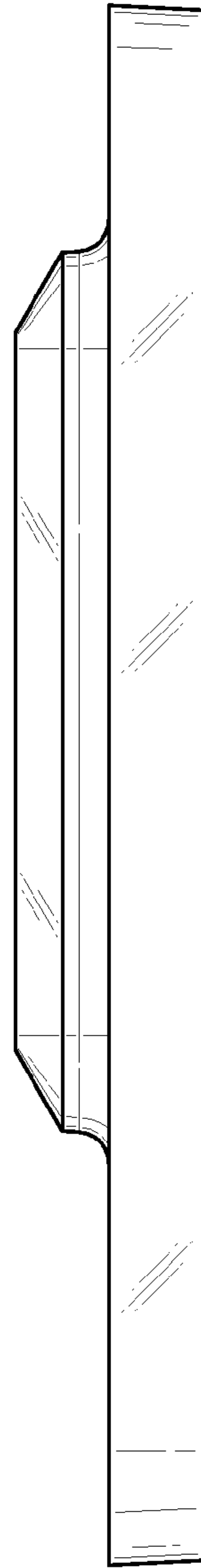


FIG. 6

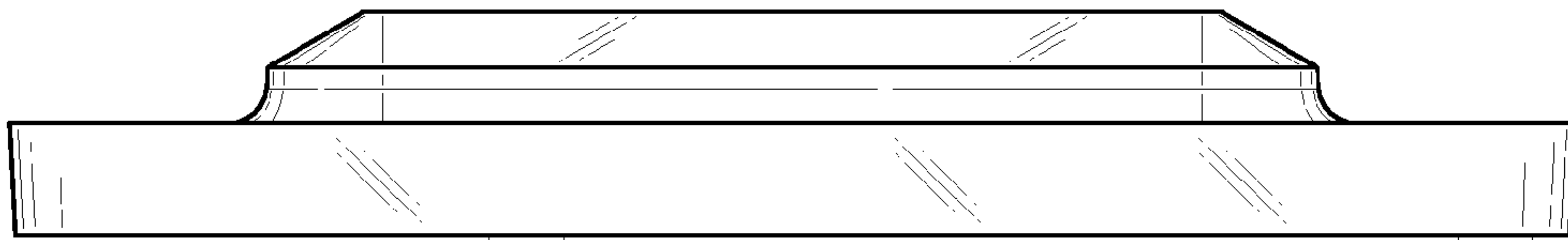


FIG. 7

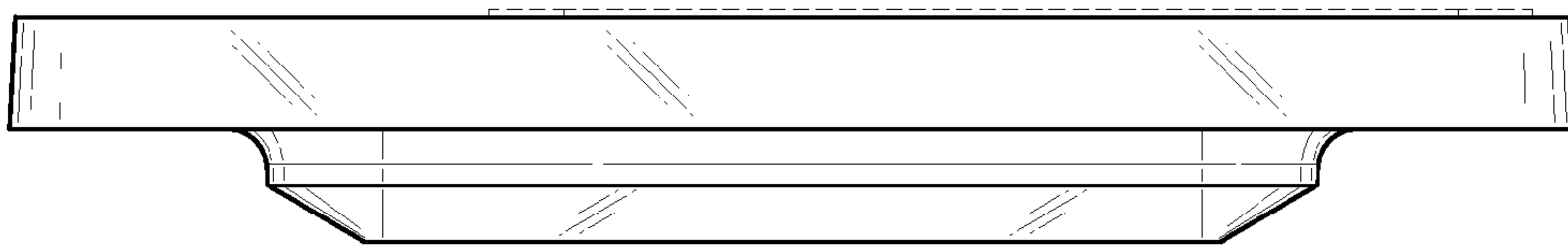


FIG. 8