



US00D699368S

(12) **United States Design Patent**
Quilter et al.

(10) **Patent No.:** **US D699,368 S**

(45) **Date of Patent:** **** Feb. 11, 2014**

(54) **ADAPTABLE STAND FOR MOBILE DEVICE
BASED DRUG TESTING**

(75) Inventors: **Eric J. Quilter**, Park City, UT (US);
James Steven Buckmiller, Salt Lake
City, UT (US); **Scott M. Clark**, Cape
Elizabeth, ME (US)

(73) Assignee: **Compliance Software, Inc.**, Salt Lake
City, UT (US)

(**) Term: **14 Years**

(21) Appl. No.: **29/419,182**

(22) Filed: **Apr. 25, 2012**

(51) **LOC (10) Cl.** **24-01**

(52) **U.S. Cl.**
USPC **D24/216; D24/186**

(58) **Field of Classification Search**
USPC D24/216, 217, 219, 223, 231, 232, 233,
D24/107, 169, 186, 128, 227; D10/81;
422/62-65, 67, 500, 547; 436/43, 45,
436/47; 435/287.1, 287.3; D14/432, 433,
D14/434, 447, 217; D13/107; 248/918
See application file for complete search history.

(56) **References Cited**

U.S. PATENT DOCUMENTS

D275,788 S * 10/1984 Givner et al. D24/223
D285,114 S * 8/1986 Collister et al. D24/216

D376,651 S * 12/1996 Paloian D24/216
D650,910 S * 12/2011 Shibata et al. D24/216
D654,597 S * 2/2012 Hiramura D24/186
D661,309 S * 6/2012 Murrer et al. D14/447
D661,810 S * 6/2012 Zaroni et al. D24/186
D674,396 S * 1/2013 Yang et al. D14/447
D682,432 S * 5/2013 Khan et al. D24/186

* cited by examiner

Primary Examiner — Anhdao Doan

(74) *Attorney, Agent, or Firm* — Workman Nydegger

(57) **CLAIM**

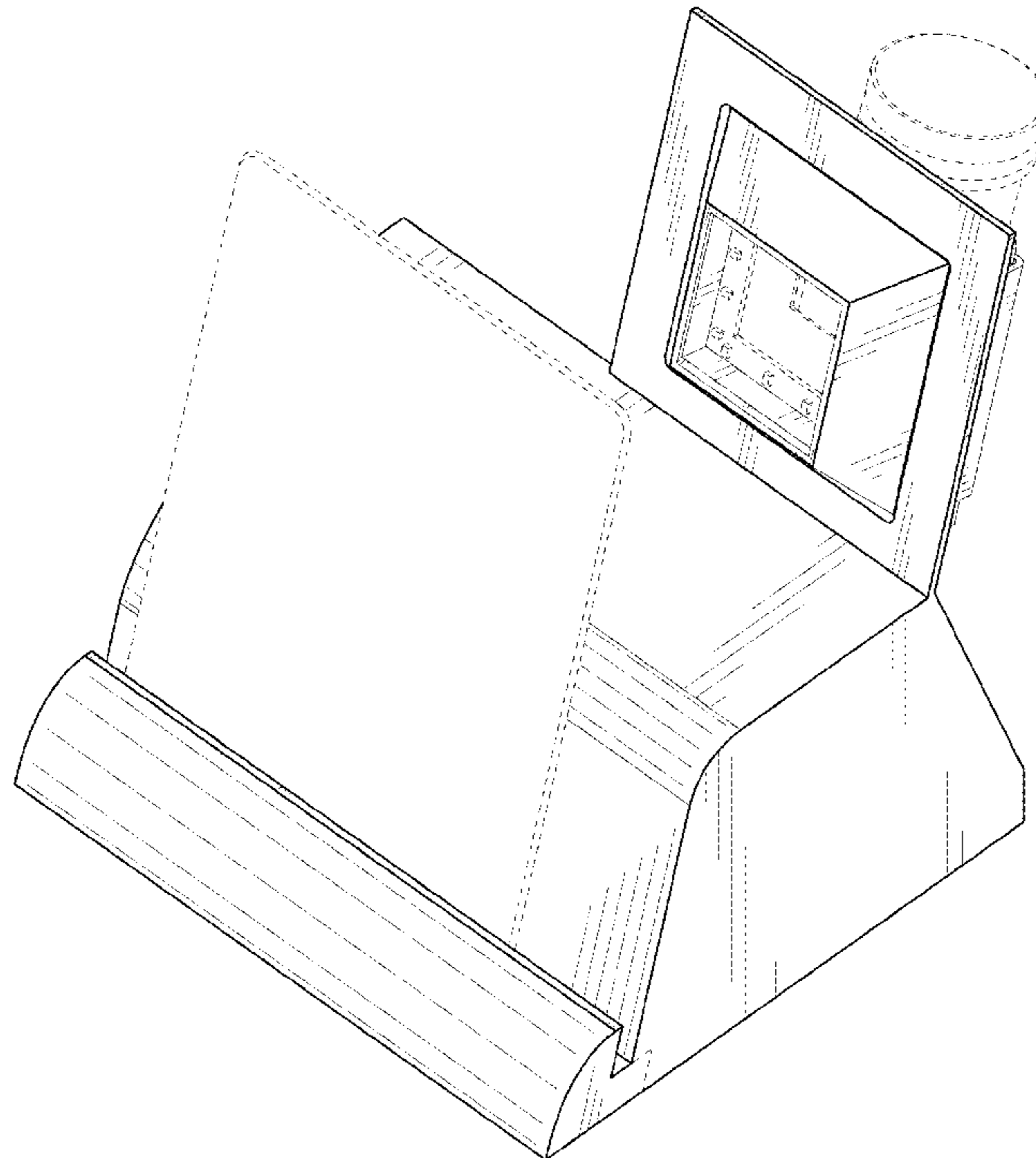
The ornamental design for an adaptable stand for mobile device based drug testing, as shown and described.

DESCRIPTION

FIG. 1 is a perspective view of an adaptable stand for mobile device based drug testing incorporating our new design holding a mobile device;
FIG. 2 is a front elevational view thereof;
FIG. 3 is a rear elevational view thereof;
FIG. 4 is a right-side elevational view thereof;
FIG. 5 is a left-side elevational view thereof;
FIG. 6 is a top plan view thereof; and,
FIG. 7 is an exploded view thereof.

The broken lines included in the drawings are for illustrative or environmental purposes and form no part of the claimed design.

1 Claim, 7 Drawing Sheets



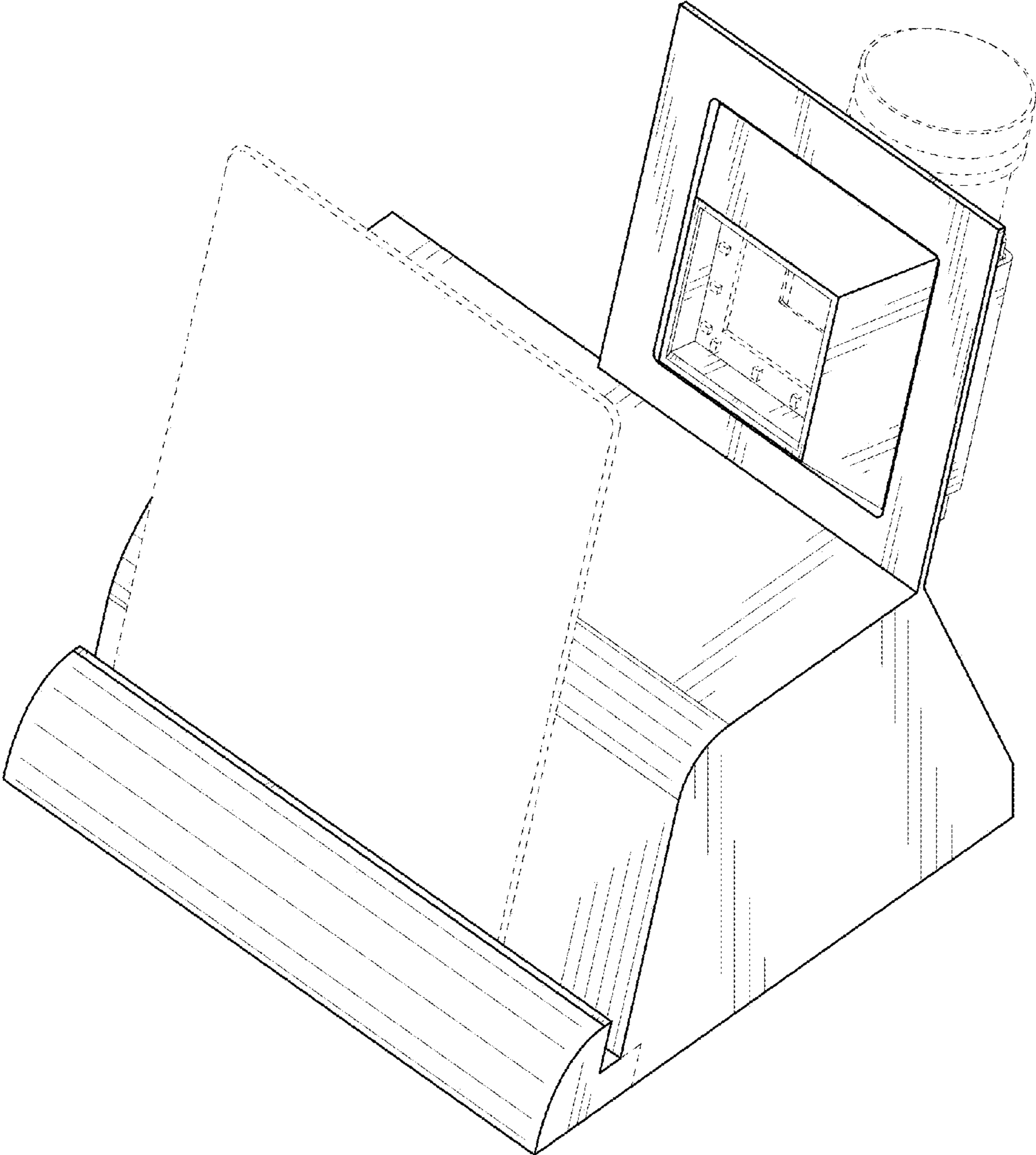


FIG. 1

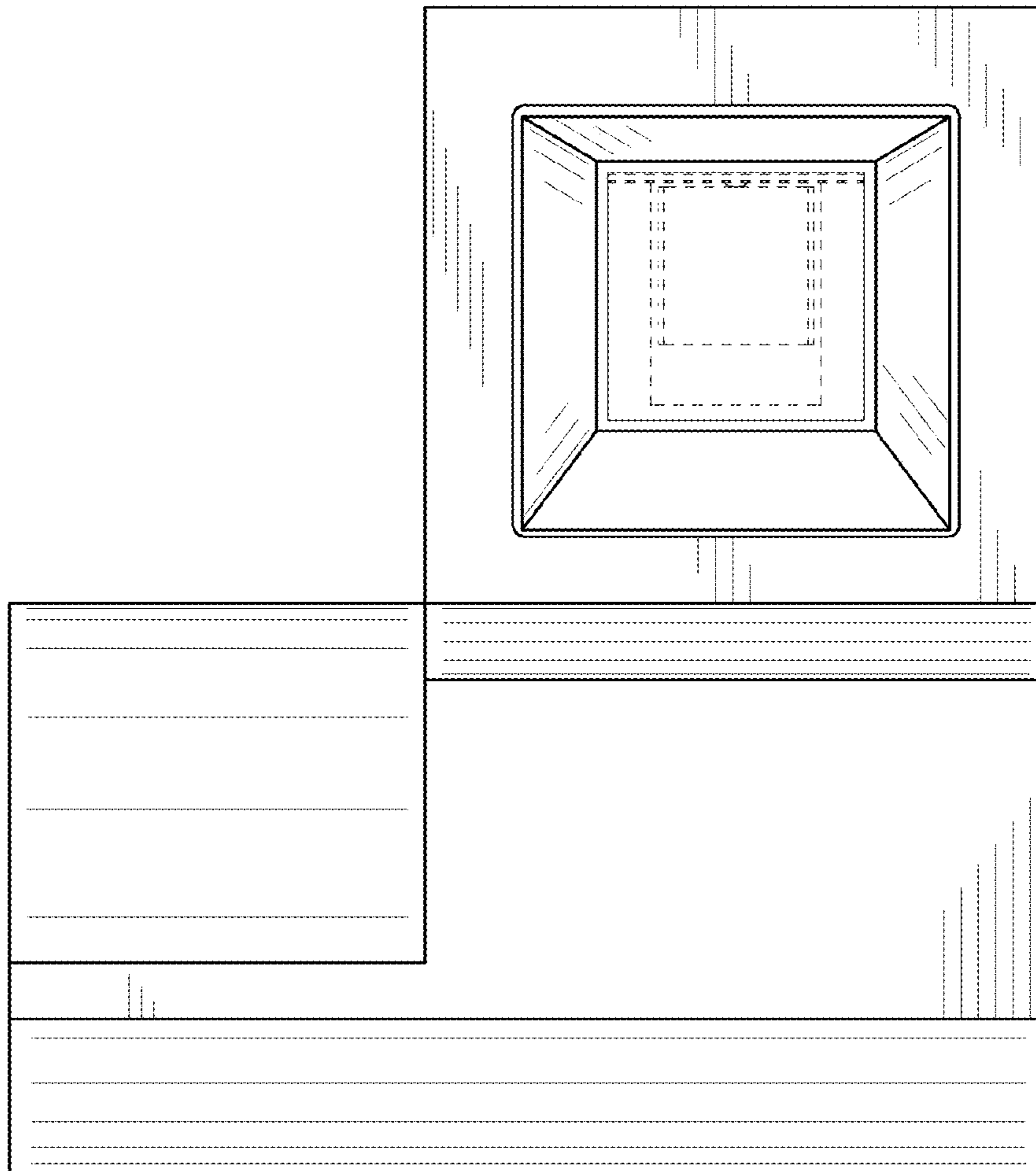


FIG. 2

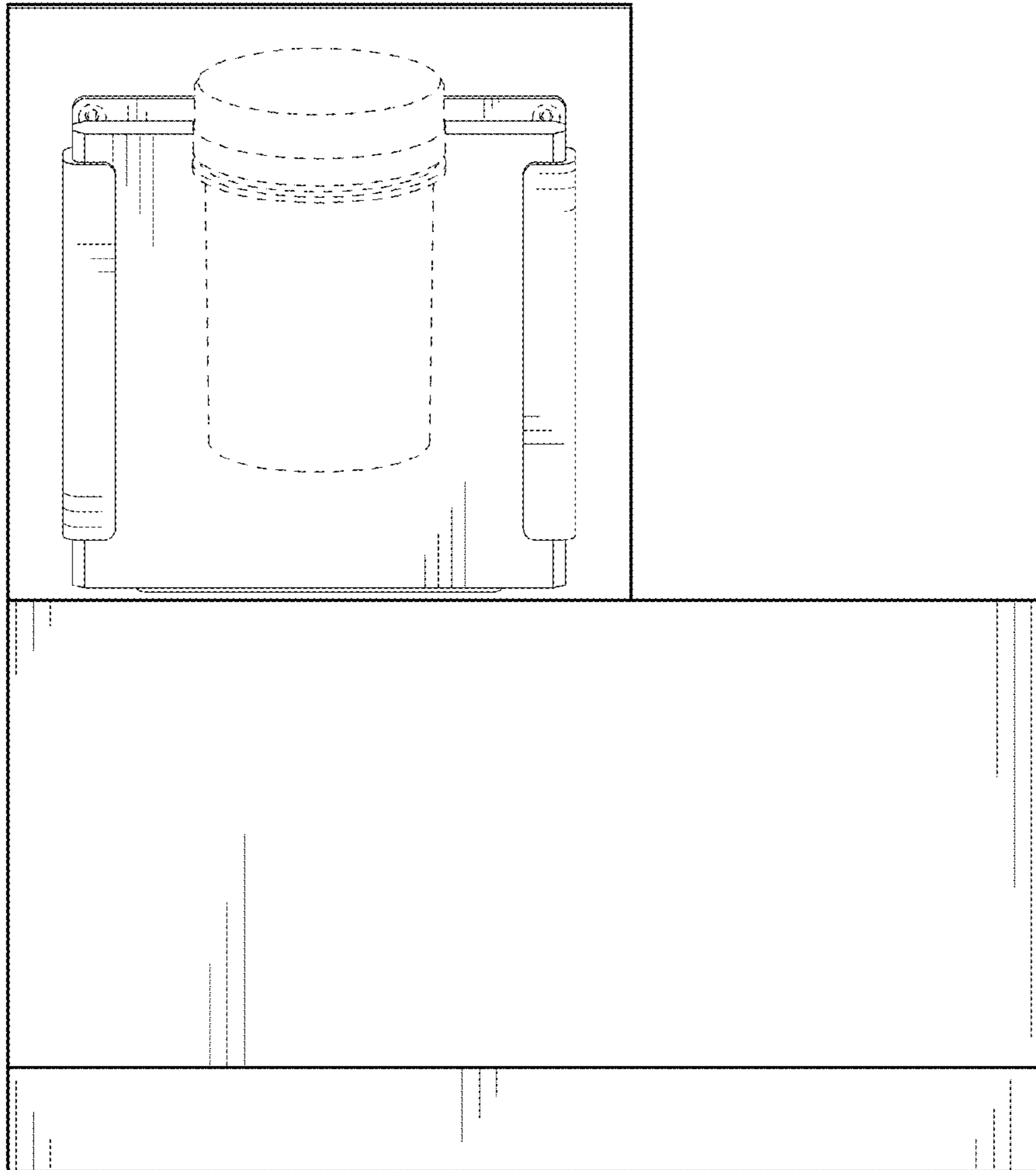


FIG. 3

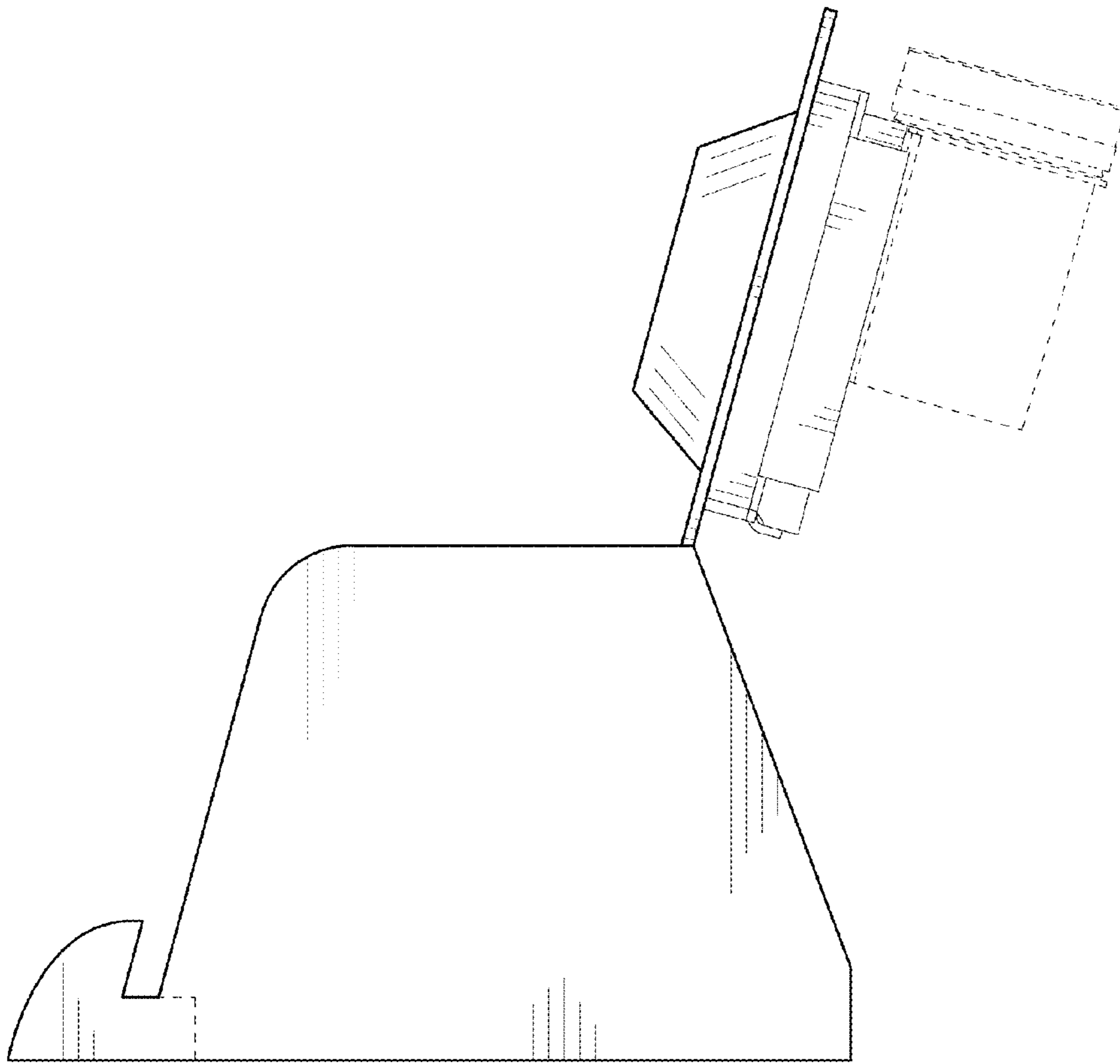


FIG. 4

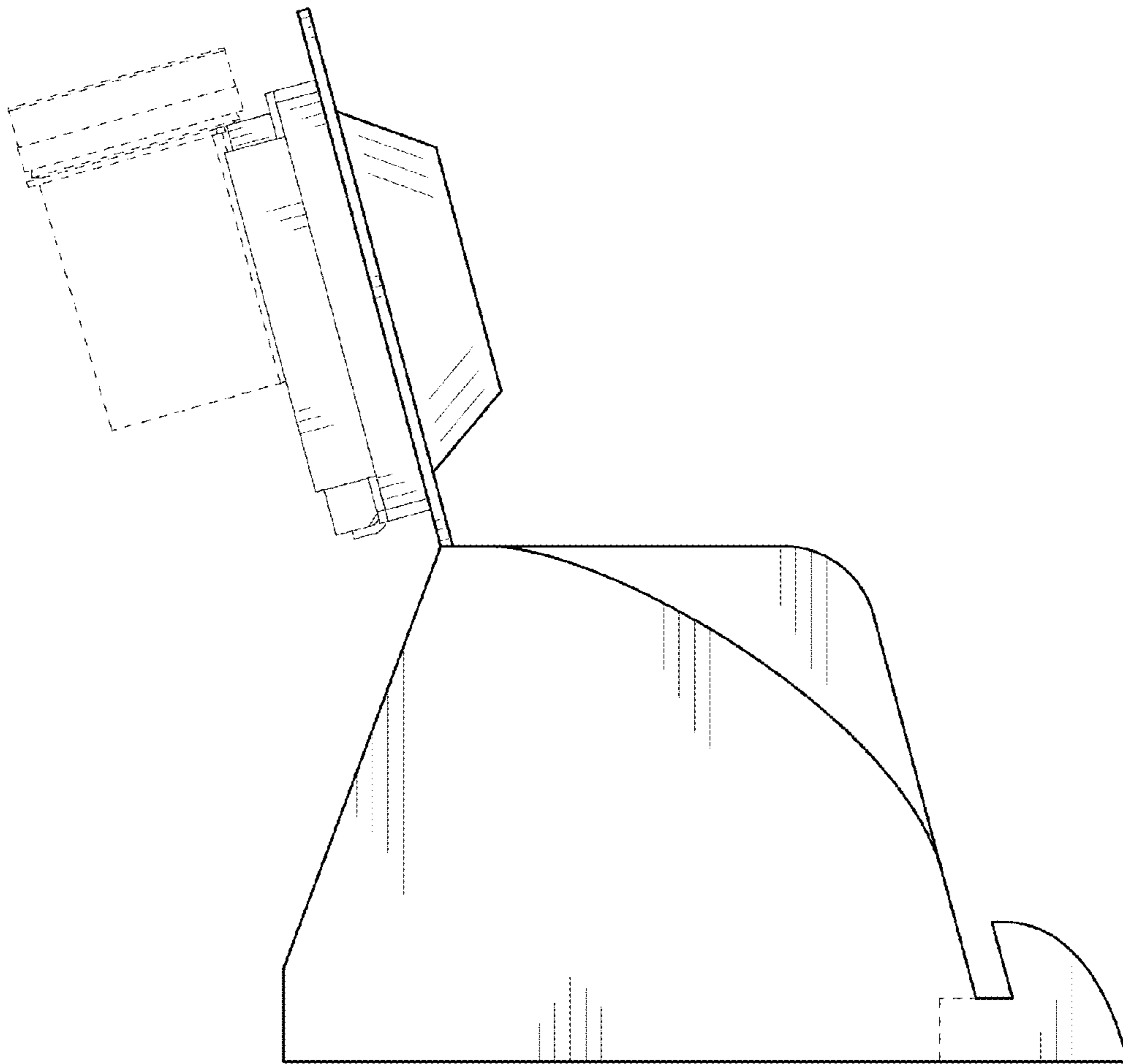


FIG. 5

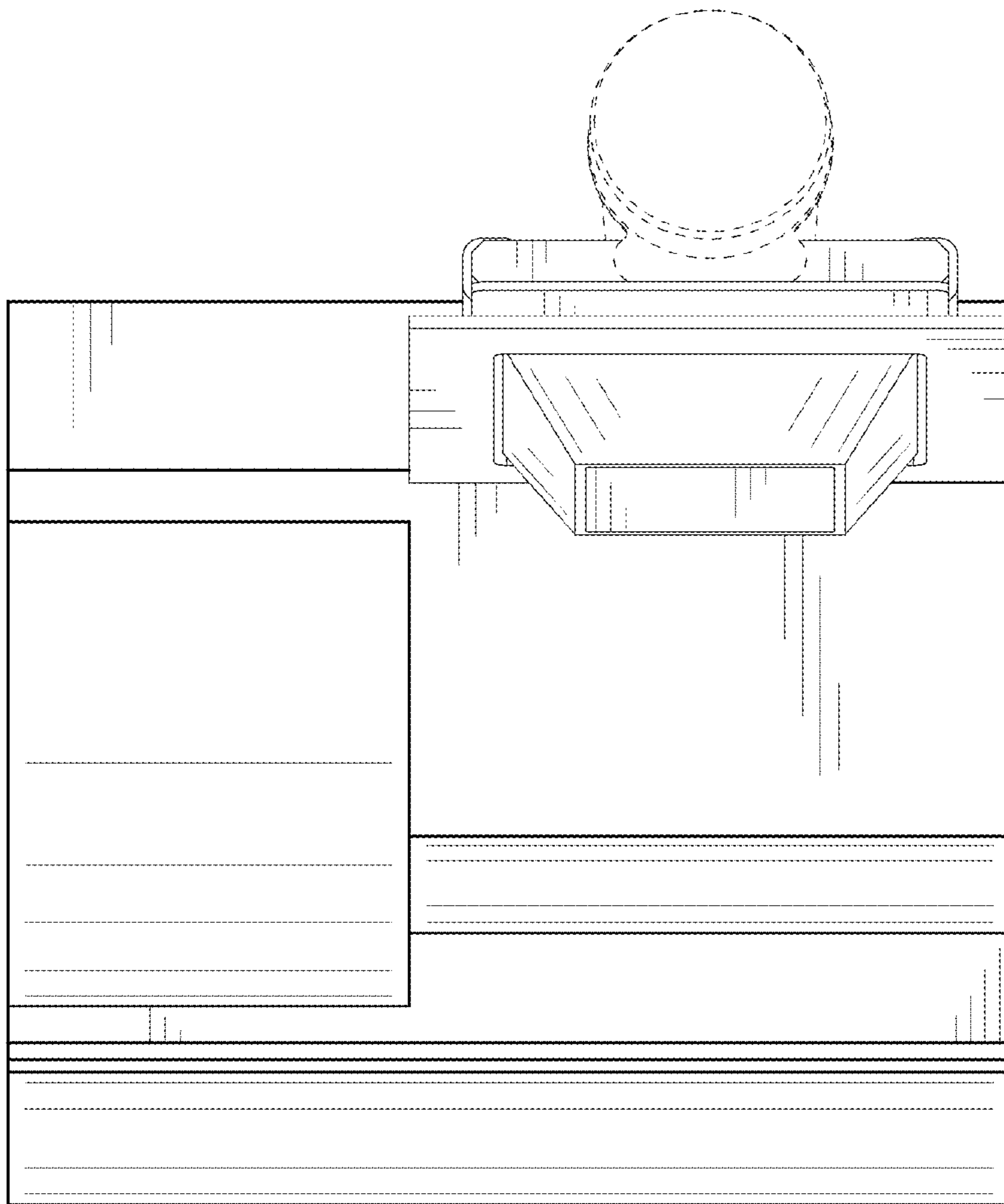


FIG. 6

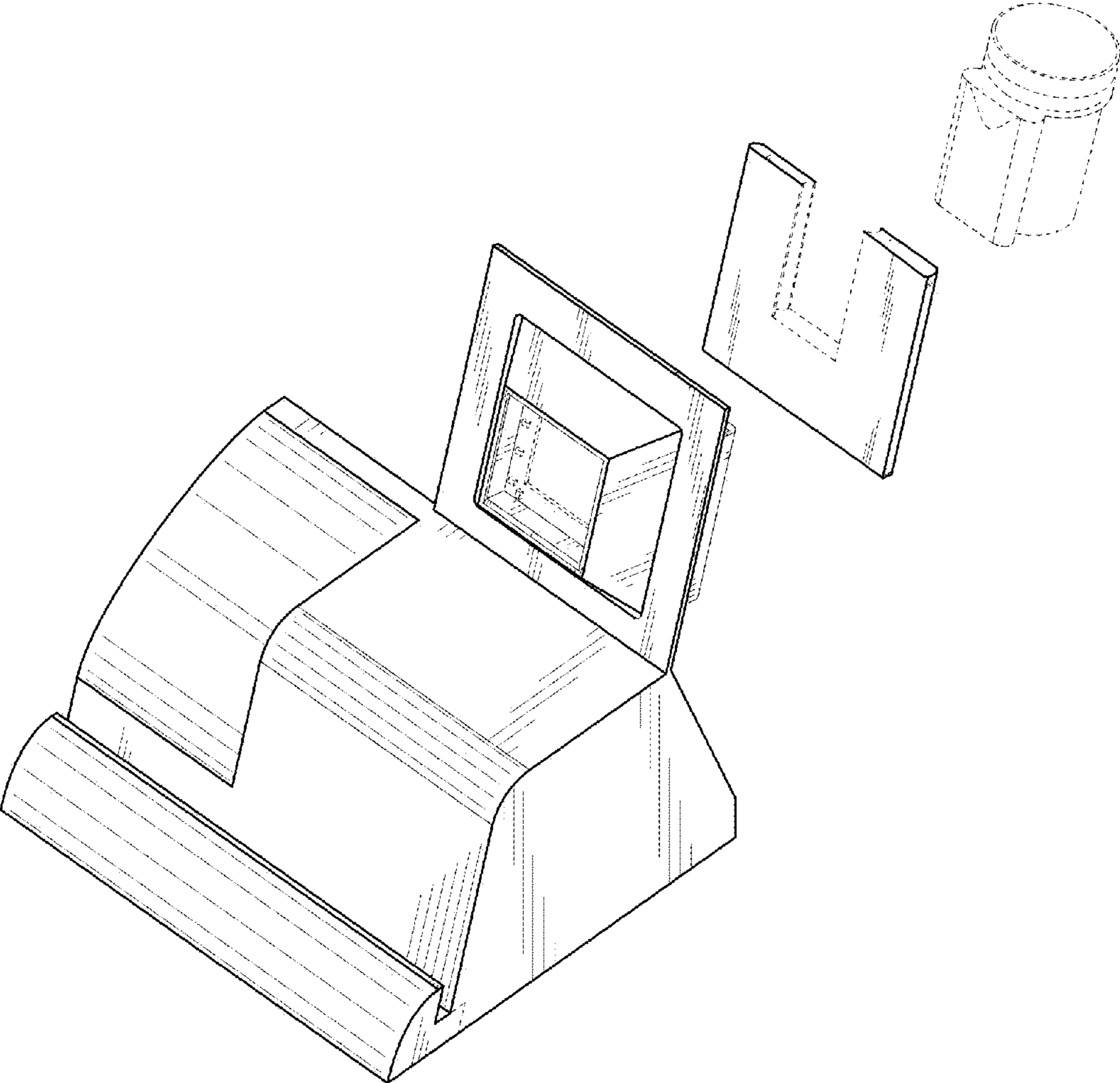


FIG. 7