



US00D699362S

(12) **United States Design Patent**  
**Corrigan et al.**

(10) **Patent No.:** **US D699,362 S**

(45) **Date of Patent:** **\*\* Feb. 11, 2014**

(54) **BIOMEDICAL TESTING DEVICE**

(71) Applicant: **Fluke Corporation**, Everett, WA (US)

(72) Inventors: **Christopher Corrigan**, Seattle, WA (US); **Matthew Marzynski**, Seattle, WA (US); **Edmond C. Eng**, Kirkland, WA (US)

(73) Assignee: **Fluke Corporation**, Everett, WA (US)

(\*\*) Term: **14 Years**

(21) Appl. No.: **29/457,892**

(22) Filed: **Jun. 13, 2013**

**Related U.S. Application Data**

(63) Continuation of application No. 29/426,927, filed on Jul. 11, 2012, now Pat. No. Des. 685,914.

(51) **LOC (10) Cl.** ..... **24-01**

(52) **U.S. Cl.**  
USPC ..... **D24/186**

(58) **Field of Classification Search**  
USPC ..... D24/107, 155, 158, 164, 165, 167, 169, D24/170, 185-187, 216, 231-232; 600/300, 600/301, 368, 372, 490, 493-495, 499-501, 600/529, 544, 554, 561; D10/31, 78.81, 75, D10/76; D14/336; 434/236, 262; 128/900, 128/903-904

See application file for complete search history.

(56) **References Cited**

**U.S. PATENT DOCUMENTS**

D332,833 S 1/1993 Lauks  
D369,563 S \* 5/1996 Meehan ..... D10/76  
D390,666 S \* 2/1998 Lagerlof ..... D24/186

D392,043 S 3/1998 Cooper  
D400,255 S 10/1998 Myers  
D447,569 S 9/2001 Baily  
D490,516 S \* 5/2004 Takahashi et al. .... D24/107  
D535,031 S \* 1/2007 Barrett et al. .... D24/186  
D554,266 S 10/2007 Striepe  
D558,351 S \* 12/2007 Diener et al. .... D24/186  
D584,975 S 1/2009 Haberstroh  
D608,452 S 1/2010 Huang  
D634,435 S \* 3/2011 Chua et al. .... D24/186  
D643,936 S \* 8/2011 Oonuma et al. .... D24/232  
D652,522 S 1/2012 Koester  
D664,257 S \* 7/2012 Patil ..... D24/186  
D678,531 S 3/2013 Patil

\* cited by examiner

*Primary Examiner* — T. Chase Nelson

*Assistant Examiner* — Mark Cavanna

(74) *Attorney, Agent, or Firm* — Christensen O'Connor Johnson Kindness PLLC

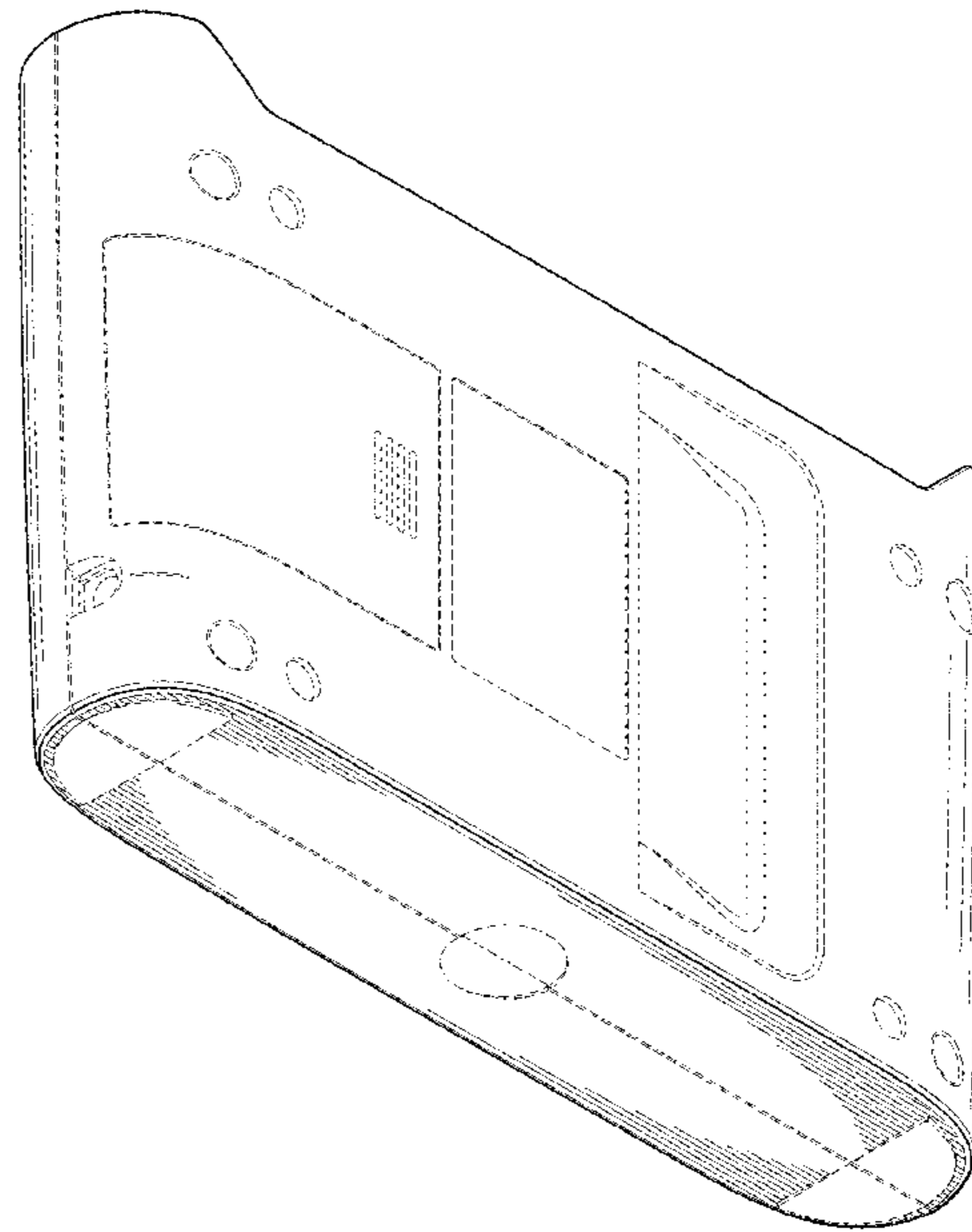
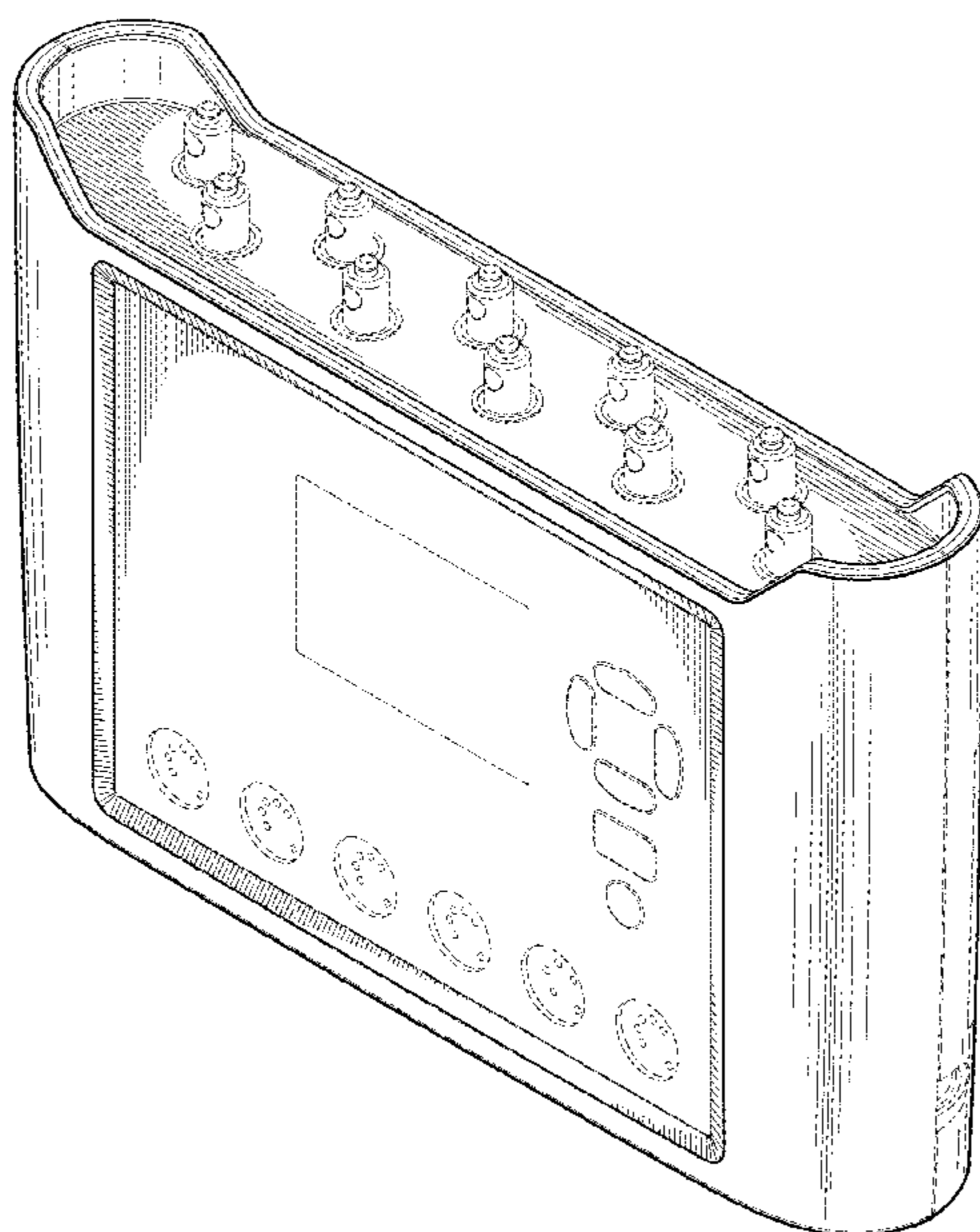
(57) **CLAIM**

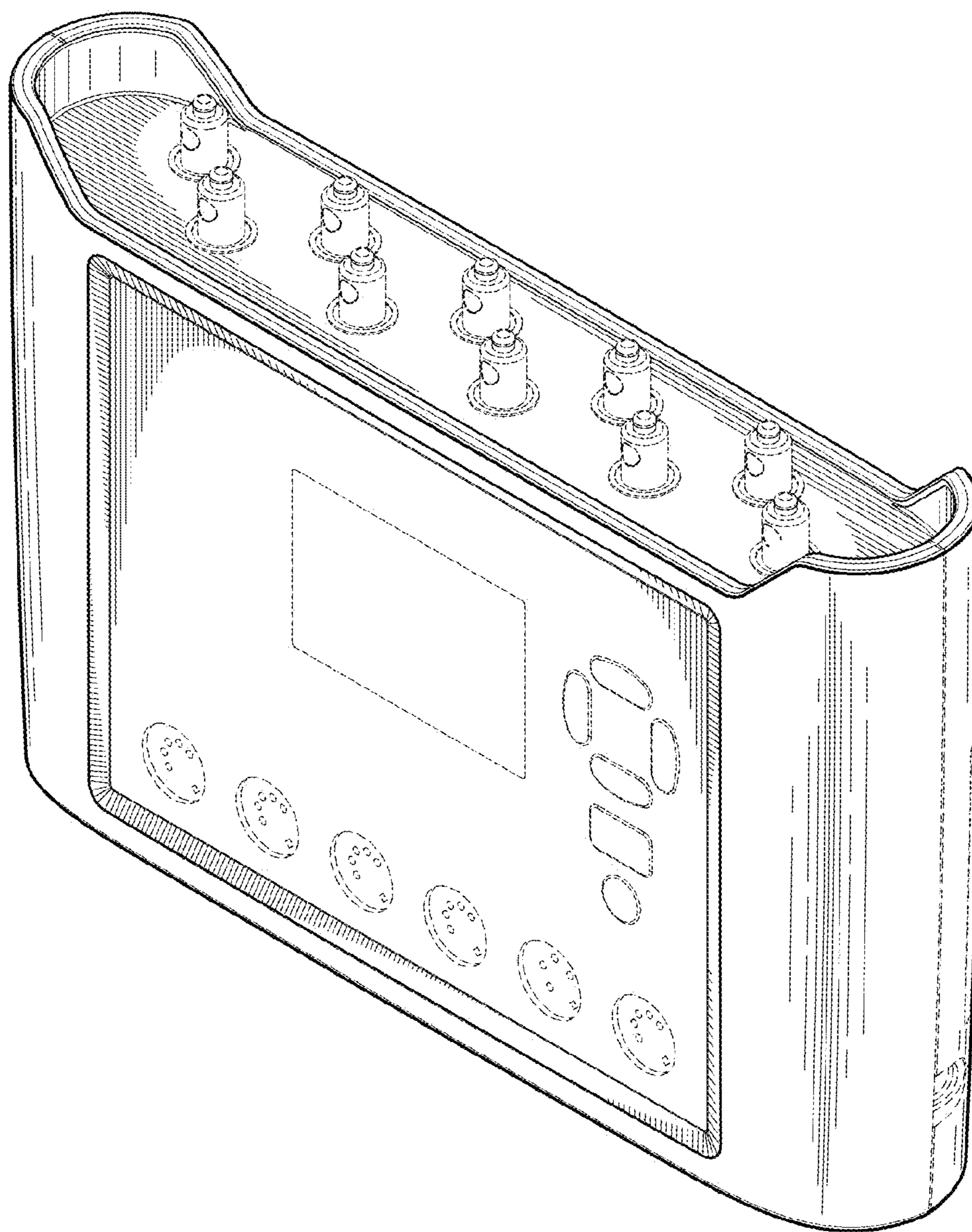
The ornamental design for a biomedical testing device, as shown and described.

**DESCRIPTION**

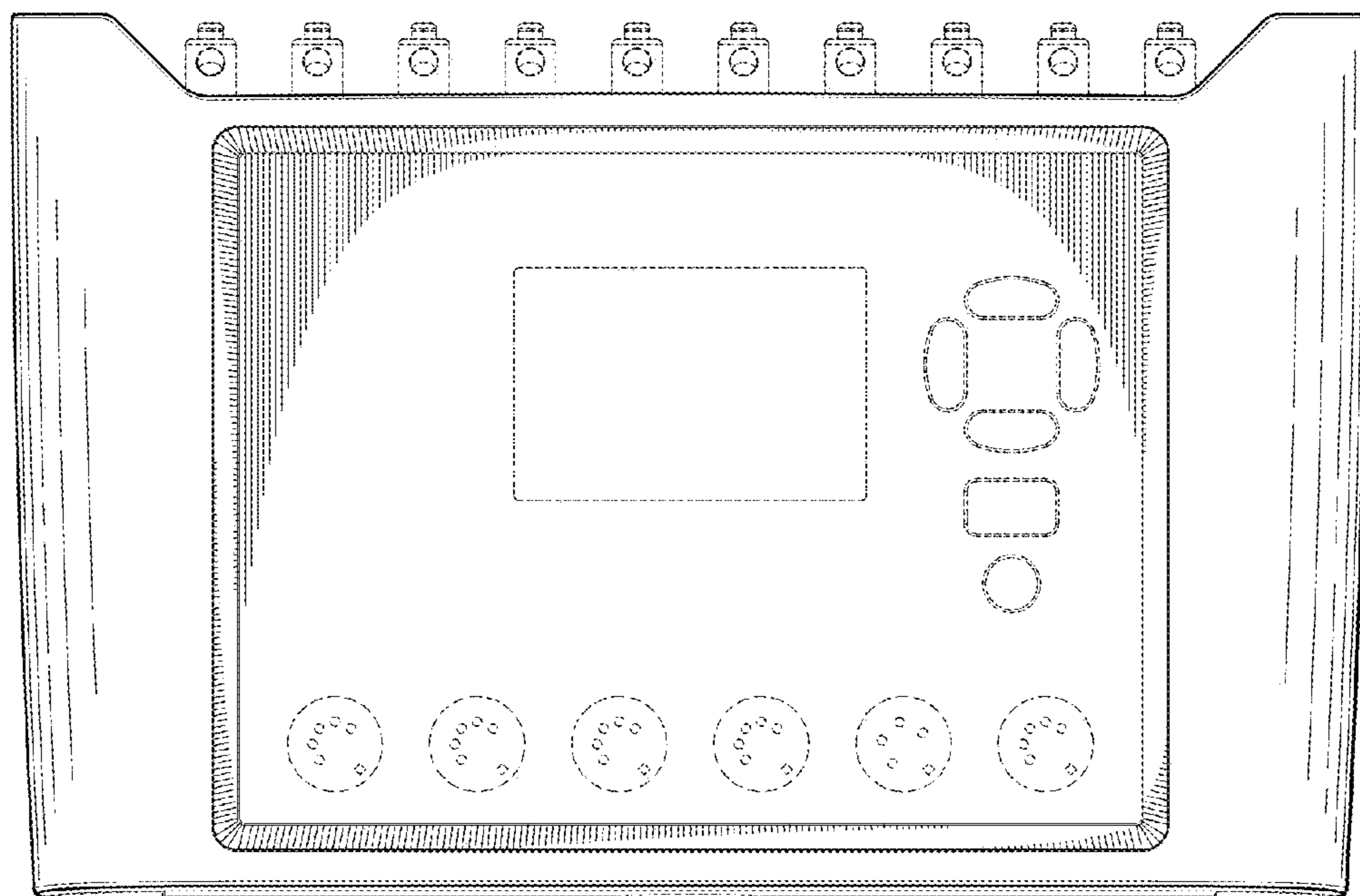
FIG. 1 is an upper front right perspective view of a biomedical testing device showing our new design; FIG. 2 is a front elevation view thereof; FIG. 3 is a rear elevation view thereof; FIG. 4 is a top plan view thereof; FIG. 5 is a bottom plan view thereof; FIG. 6 is a left side elevation view thereof; FIG. 7 is a right side elevation view thereof; and, FIG. 8 is a lower rear right perspective view thereof. The broken lines shown in FIGS. 1-8 illustrate environmental subject matter and form no part of the claimed design.

**1 Claim, 6 Drawing Sheets**



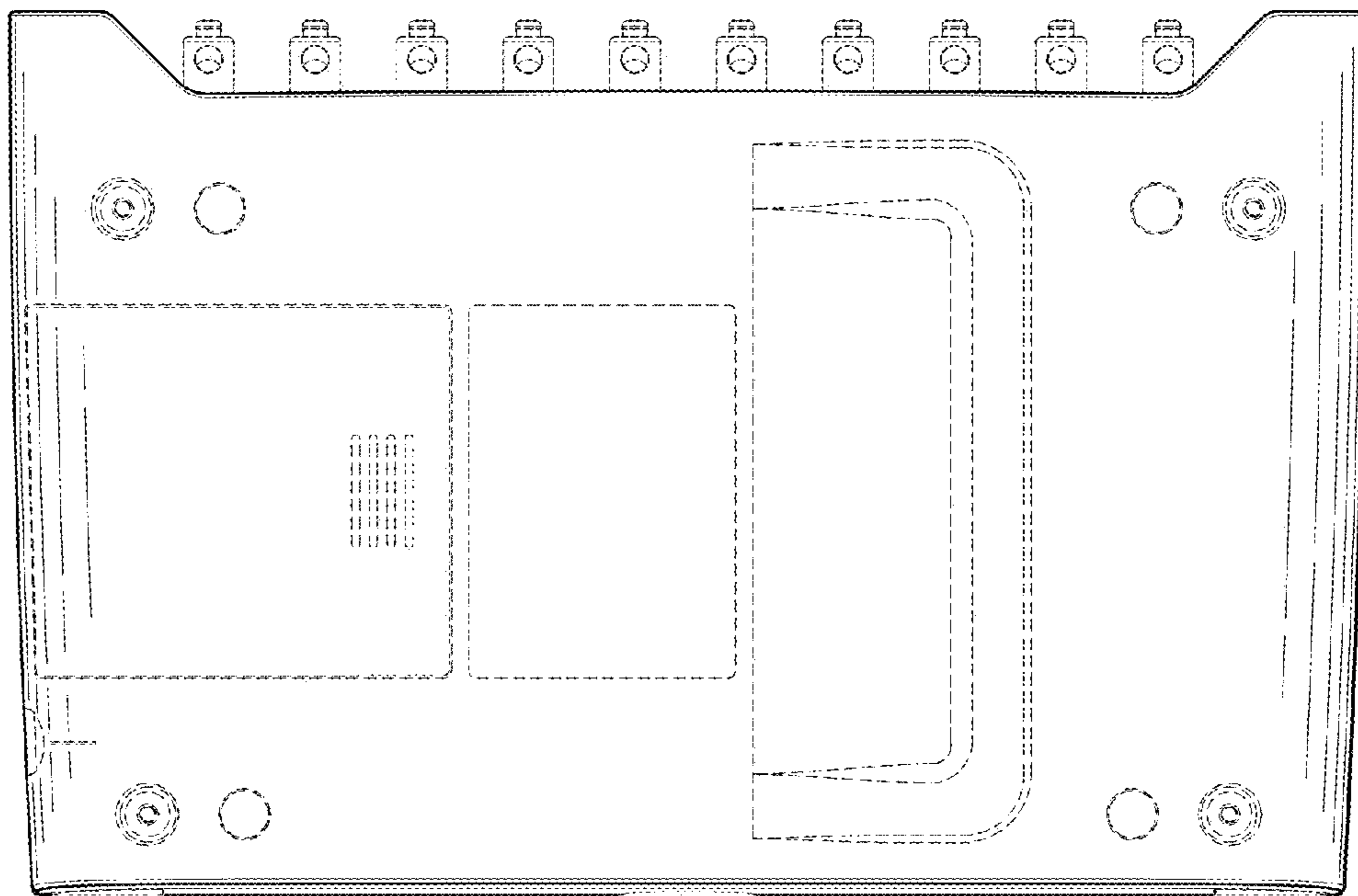


*Fig. 1.*

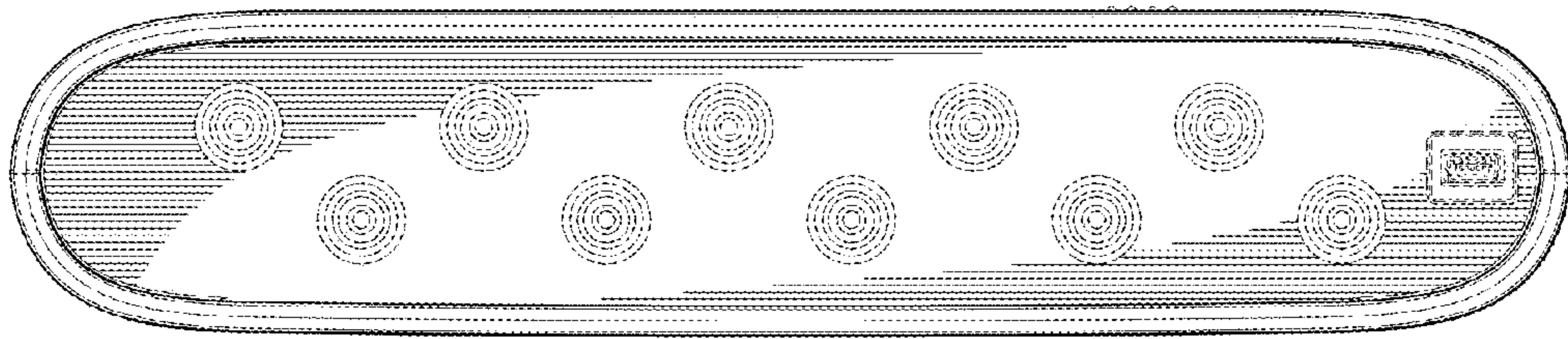


*Fig. 2.*

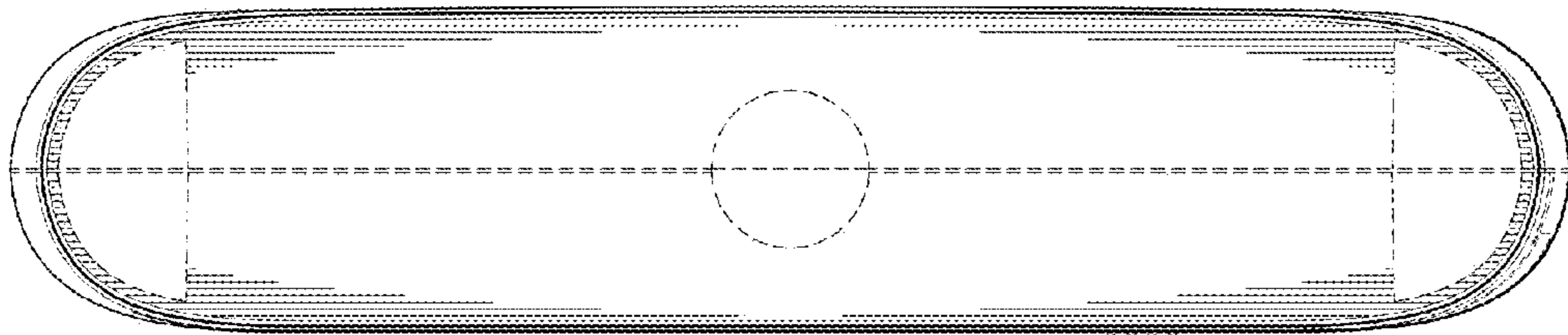




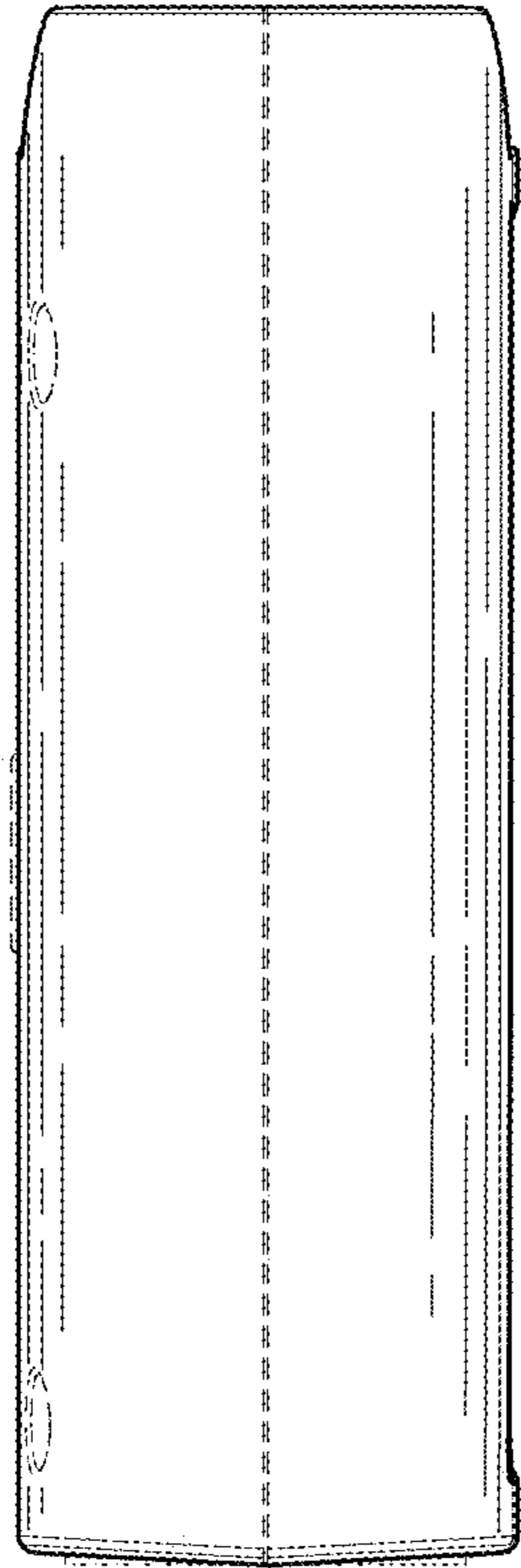
*Fig. 3.*



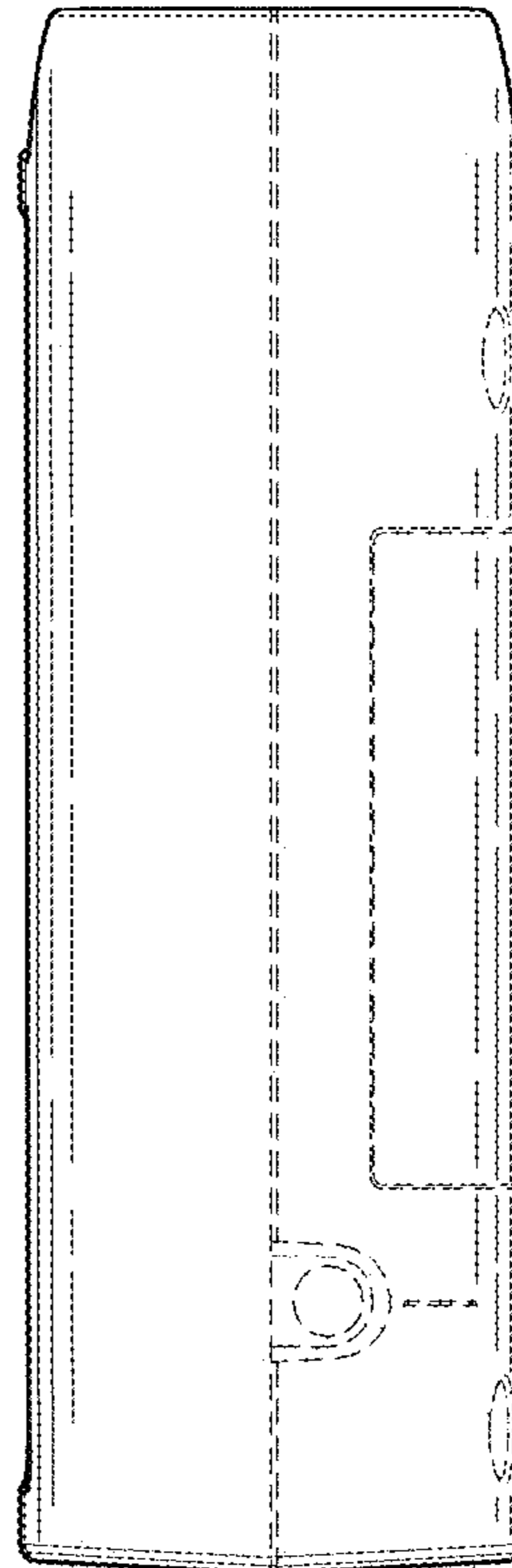
*Fig. 4.*



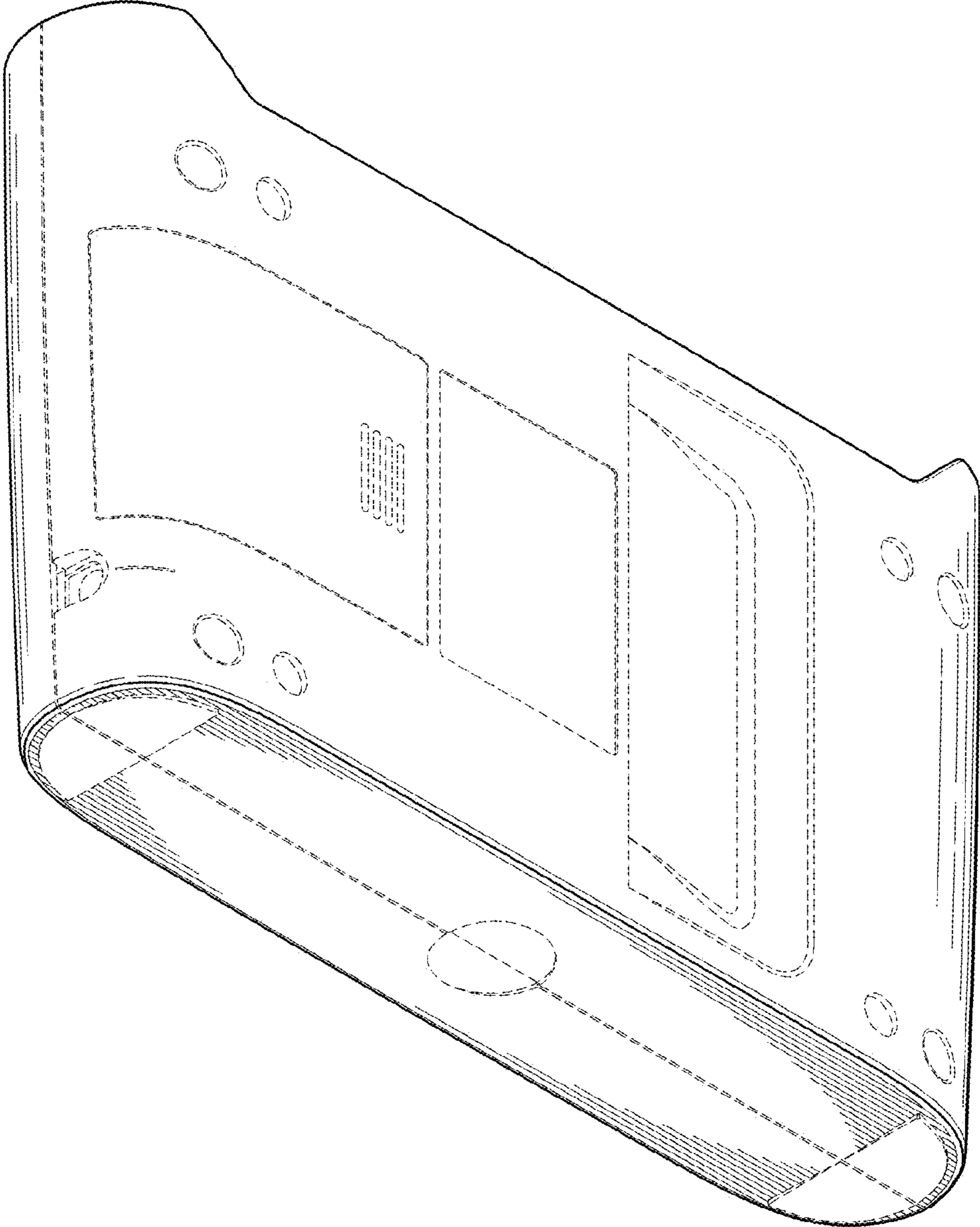
*Fig. 5.*



*Fig. 6.*



*Fig. 7.*



*Fig. 8.*