



US00D699361S

(12) **United States Design Patent**
Wung et al.

(10) **Patent No.:** **US D699,361 S**
(45) **Date of Patent:** **** Feb. 11, 2014**

(54) **SOCKET FOR TEMPERATURE MONITORING PROBE OF PATIENT MONITOR**

(71) Applicant: **Physio-Control, Inc.**, Redmond, WA (US)

(72) Inventors: **Peter Wung**, Redmond, WA (US);
Cathlene Buchanan, Shoreline, WA (US)

(73) Assignee: **Physio-Control, Inc.**, Redmond, WA (US)

(**) Term: **14 Years**

(21) Appl. No.: **29/454,276**

(22) Filed: **May 8, 2013**

Related U.S. Application Data

(62) Division of application No. 29/376,810, filed on Oct. 12, 2010, now Pat. No. Des. 686,328.

(51) **LOC (10) Cl.** **24-01**

(52) **U.S. Cl.**
USPC **D24/186**; D24/129

(58) **Field of Classification Search**
USPC D24/167–168, 186–187, 129–130, 138, D24/146; D13/120, 133, 146–147, 154; 600/394, 397, 322, 323; 439/488, 729, 439/822, 909, 913; D23/259, 262, 265; 285/26; 601/151

See application file for complete search history.

(56) **References Cited**

U.S. PATENT DOCUMENTS

D333,293 S * 2/1993 Ashida D13/147
5,219,185 A * 6/1993 Oddenino 285/26
D357,736 S * 4/1995 Dye D24/127
D363,988 S * 11/1995 Dye D24/129

D364,459 S * 11/1995 Dye D24/129
D364,460 S * 11/1995 Dye D24/129
D364,680 S * 11/1995 Dye D24/129
D369,664 S * 5/1996 Dye D24/129
D370,204 S * 5/1996 Kittridge D13/146
D373,192 S * 8/1996 Murphy et al. D24/129
D377,219 S * 1/1997 Strand et al. D24/187
D393,830 S * 4/1998 Tobler et al. D13/133
D456,776 S * 5/2002 Lindekugel D13/146
D462,662 S * 9/2002 Lindekugel D24/169
D481,125 S * 10/2003 Hayamizu D24/129
D487,147 S * 2/2004 Ellingboe et al. D24/129

(Continued)

Primary Examiner — T. Chase Nelson

Assistant Examiner — Mark Cavanna

(74) *Attorney, Agent, or Firm* — Marger Johnson & McCollom PC

(57) **CLAIM**

The ornamental design for the socket for temperature monitoring probe of patient monitor, as shown and described.

DESCRIPTION

FIG. 1 is a perspective view from one end of a socket for temperature monitoring probe of patient monitor showing our new design;

FIG. 2 is a top view thereof;

FIG. 3 is a bottom view thereof;

FIG. 4 is a first side view thereof;

FIG. 5 is a second side view thereof;

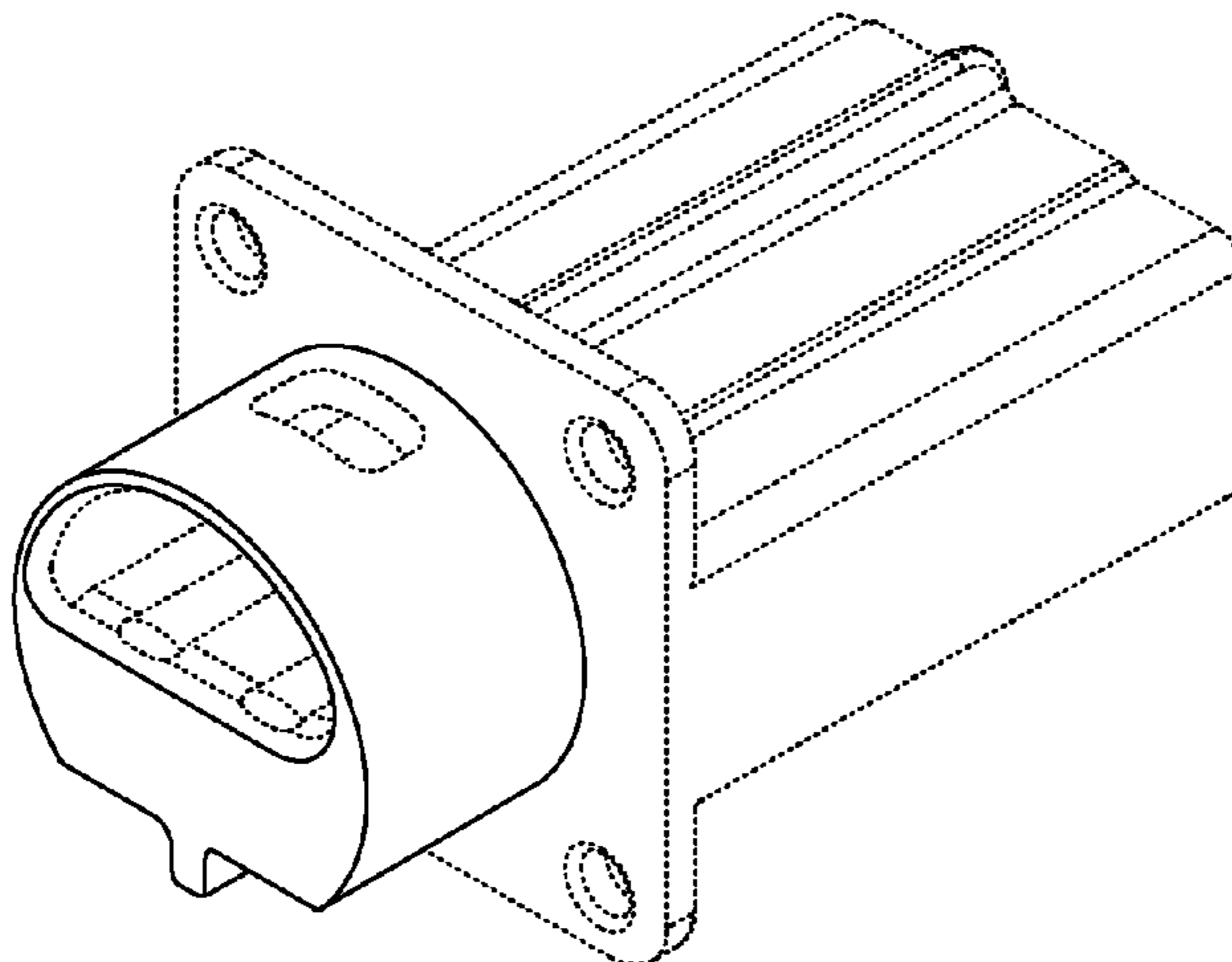
FIG. 6 is a first end view thereof;

FIG. 7 is a perspective view of the socket for temperature monitoring probe of patient monitor showing a non-connected state with an associated plug; and,

FIG. 8 is a perspective view of the socket for temperature monitoring probe of patient monitor showing a connected state with an associated plug.

The broken lines showing portions of the socket for temperature monitoring probe of monitor and environmental structure forms no part of the claimed design.

1 Claim, 3 Drawing Sheets



(56)

References Cited

U.S. PATENT DOCUMENTS

D487,148 S * 2/2004 Ellingboe et al. D24/129
D499,488 S * 12/2004 Chastain et al. D24/187
D501,558 S * 2/2005 Chastain et al. D24/187
D505,206 S * 5/2005 Chastain et al. D24/187
D534,656 S * 1/2007 Pilvisto et al. D24/138

D543,157 S * 5/2007 Suckle D13/154
D595,845 S * 7/2009 Mros et al. D24/129
D602,864 S * 10/2009 Zhang D13/120
D614,305 S * 4/2010 Al-Ali et al. D24/187
D630,319 S * 1/2011 Humes D24/129
D645,965 S * 9/2011 Muto et al. D24/146
8,092,409 B2 * 1/2012 Mros et al. 601/151

* cited by examiner

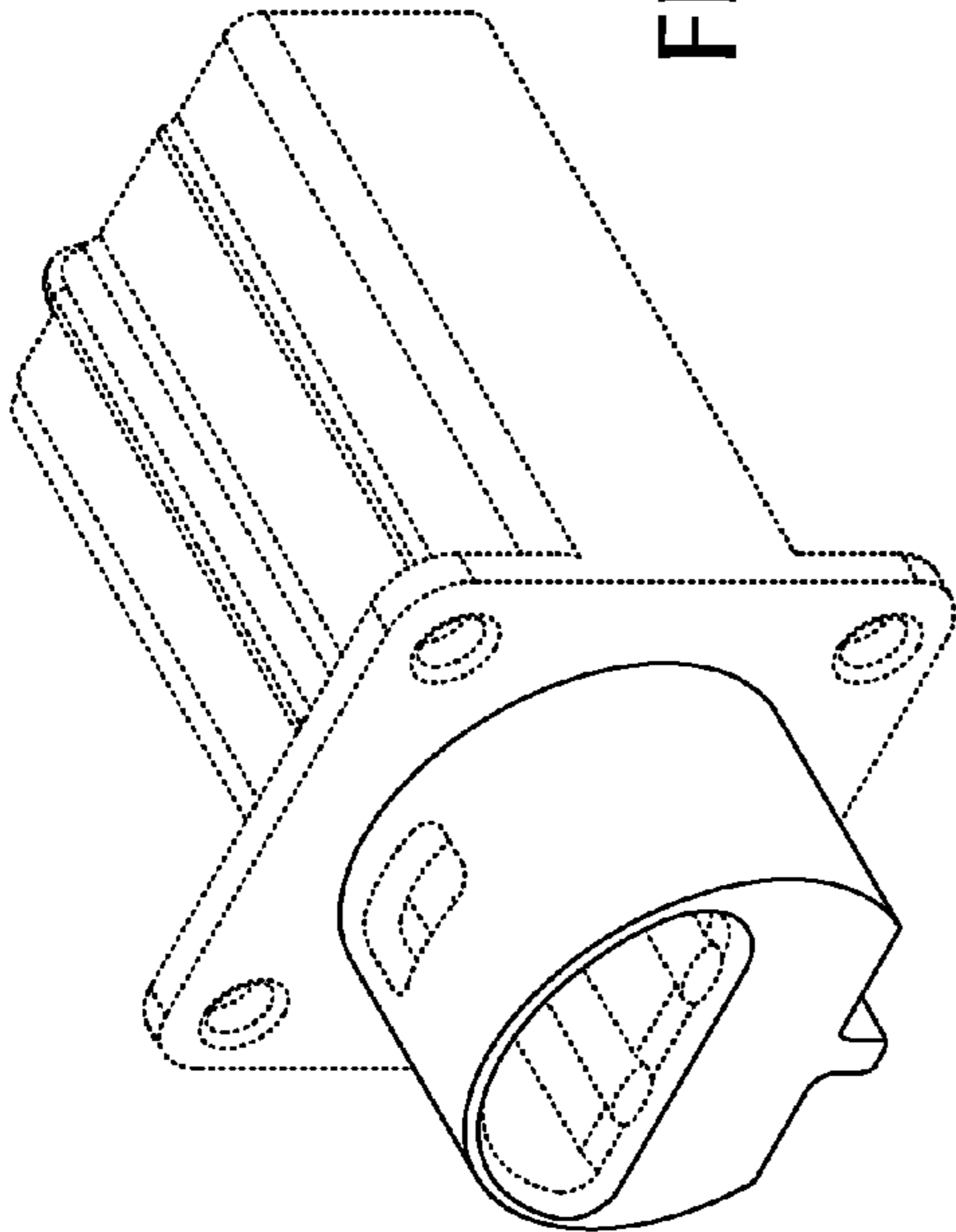


FIG. 1

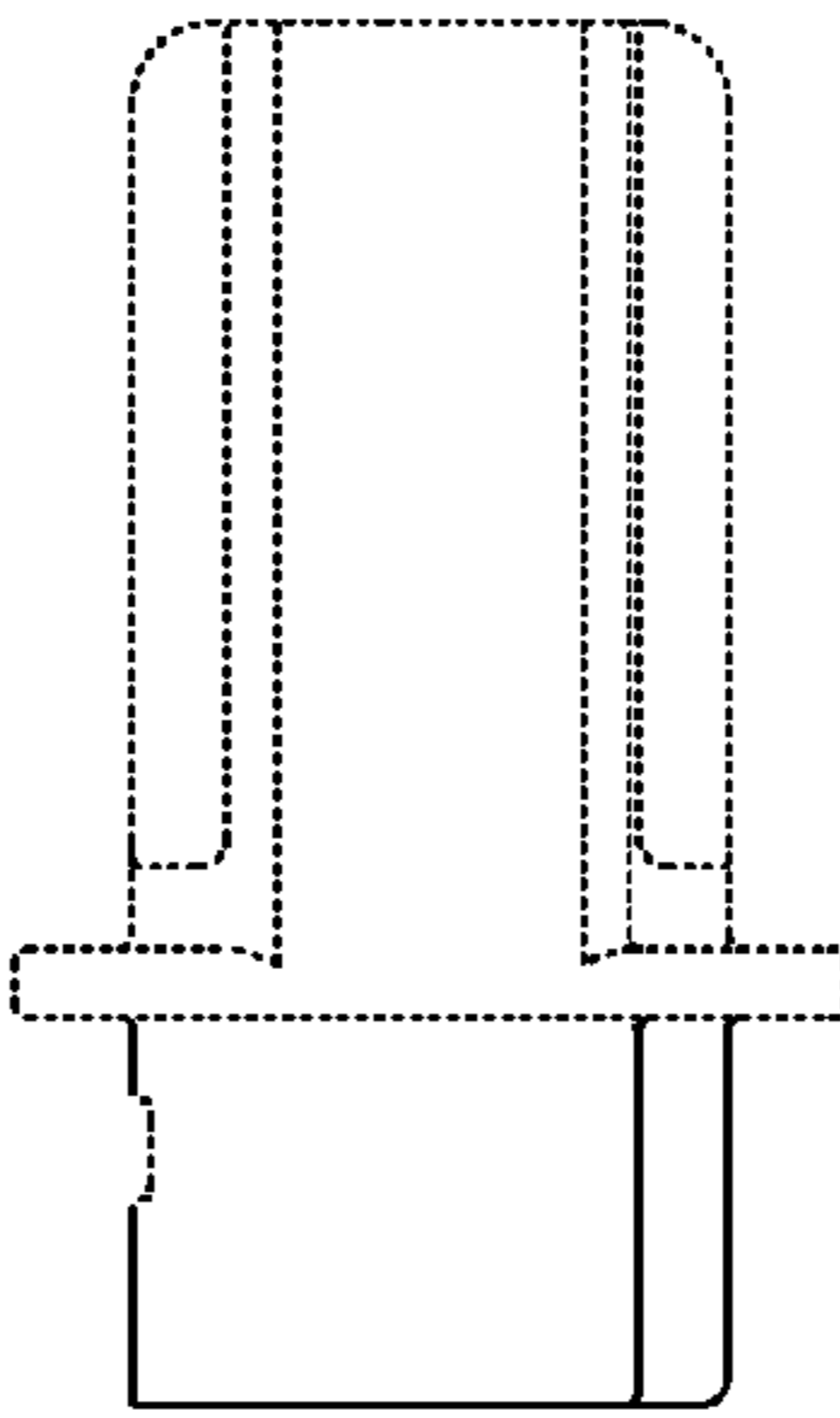


FIG. 4

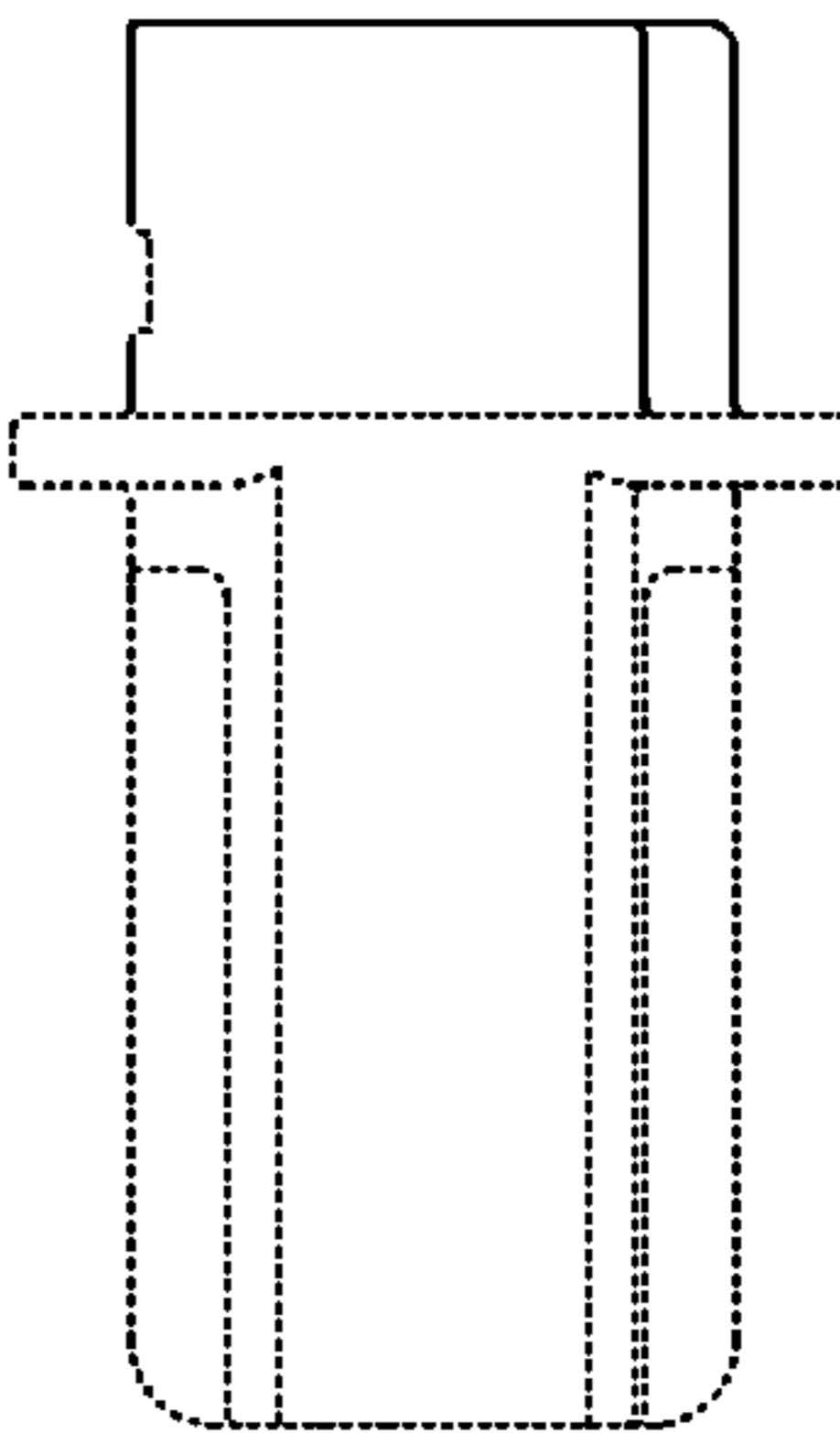


FIG. 5

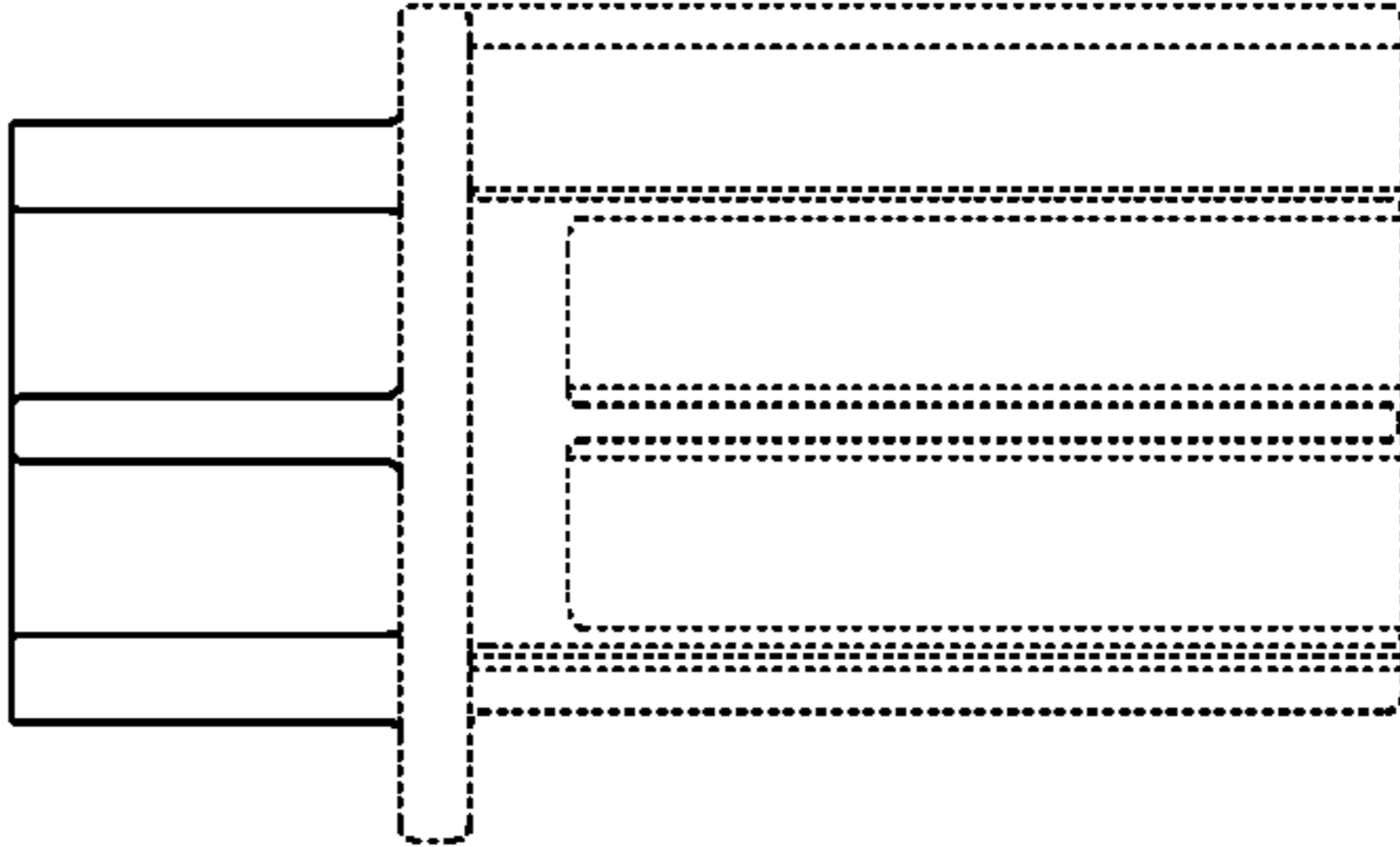


FIG. 3

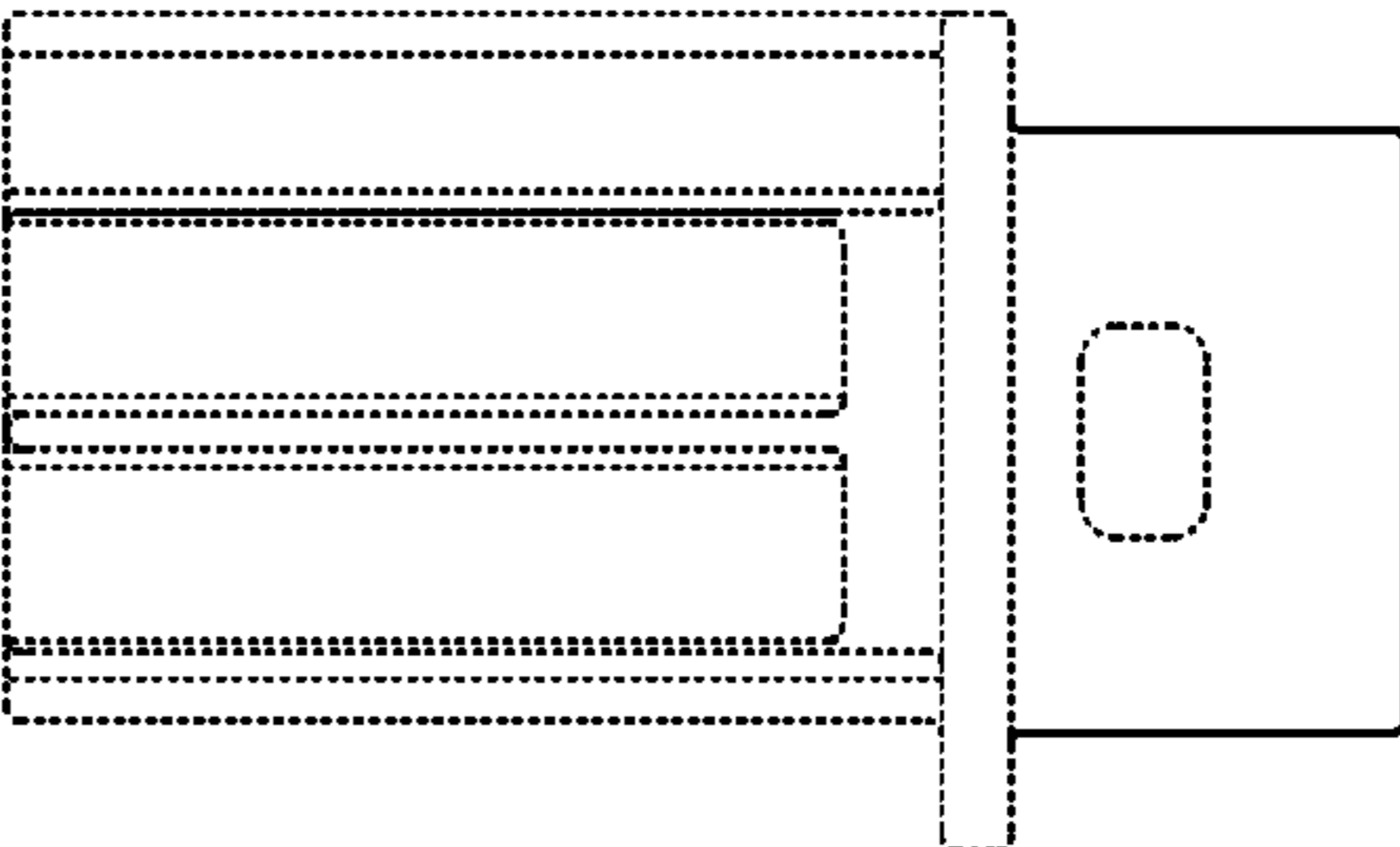


FIG. 2

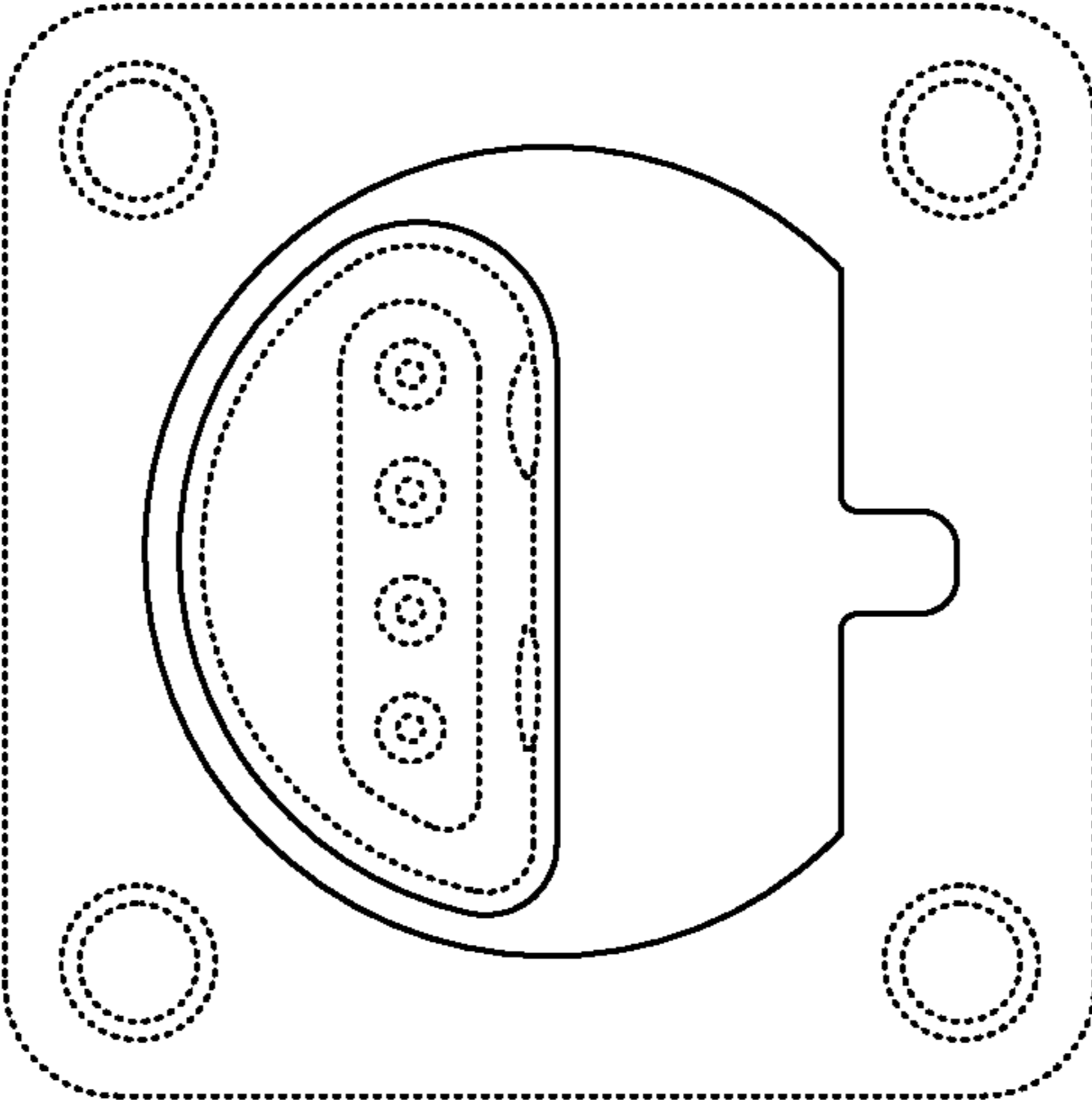


FIG. 6

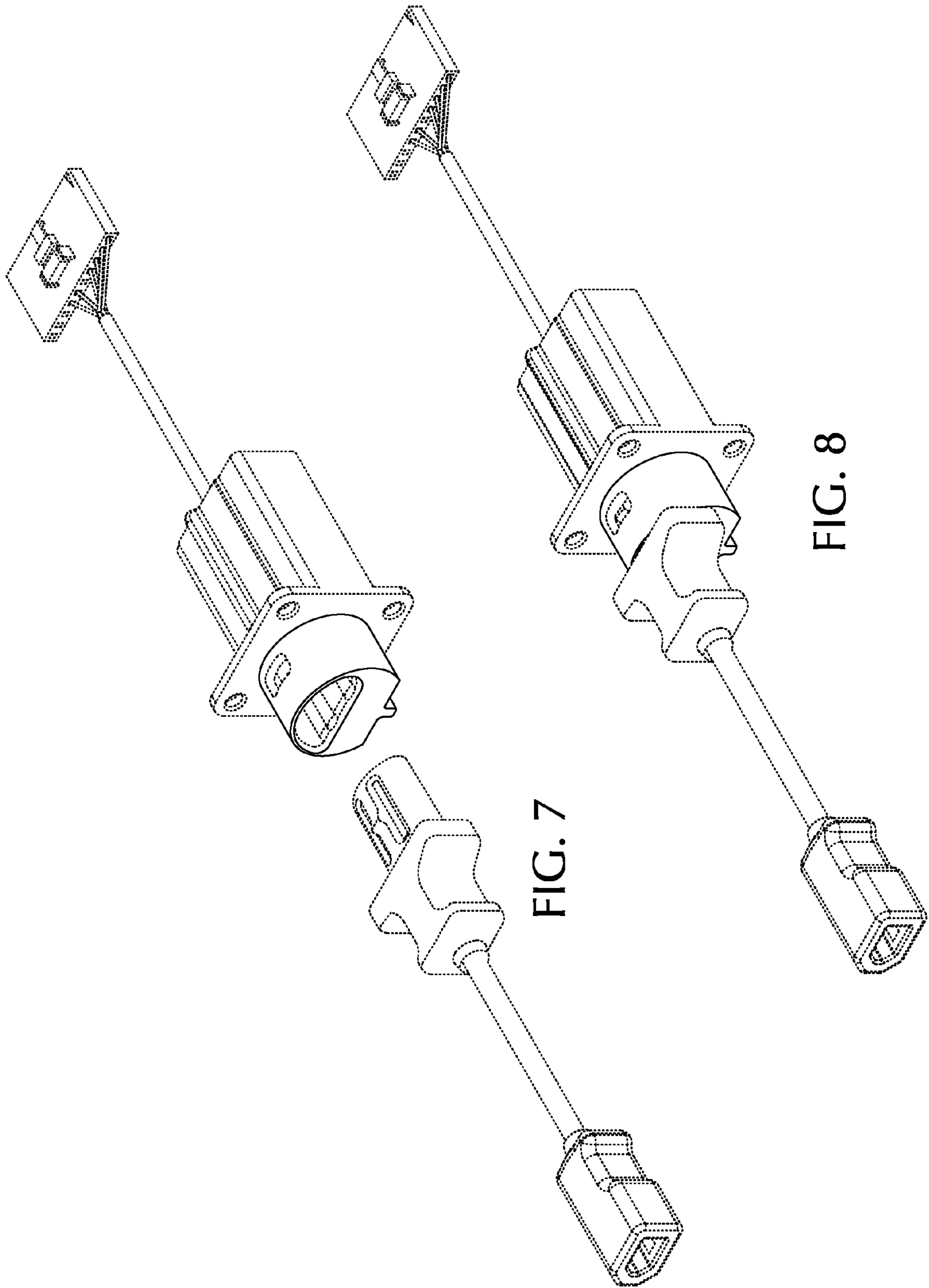


FIG. 7

FIG. 8