



US00D699360S

(12) **United States Design Patent**
Marzynski et al.

(10) **Patent No.:** **US D699,360 S**

(45) **Date of Patent:** **** Feb. 11, 2014**

(54) **FINGER PROBE DEVICE**

(71) Applicant: **Fluke Corporation**, Everett, WA (US)

(72) Inventors: **Matthew Marzynski**, Seattle, WA (US);
Paul Richer, Everett, WA (US)

(73) Assignee: **Fluke Corporation**, Everett, WA (US)

(**) Term: **14 Years**

(21) Appl. No.: **29/444,122**

(22) Filed: **Jan. 25, 2013**

Related U.S. Application Data

(63) Continuation of application No. 29/406,466, filed on Nov. 15, 2011, now Pat. No. Des. 676,562.

(51) **LOC (10) Cl.** **24-01**

(52) **U.S. Cl.**
USPC **D24/186**

(58) **Field of Classification Search**
USPC D24/107, 141, 158, 164, 165, 167, 170,
D24/186-187, 231; D10/57, 60, 78, 80;
600/407, 444, 452, 459, 462, 437, 439;
378/98.7, 98.8, 189; 601/3; 324/157
See application file for complete search history.

(56) **References Cited**

U.S. PATENT DOCUMENTS

5,088,500 A 2/1992 Wedel
5,598,846 A 2/1997 Peszynski

5,752,517 A * 5/1998 Harman et al. 600/459
5,986,446 A * 11/1999 Williamson 324/157
6,746,402 B2 * 6/2004 Ustuner 600/462
7,128,720 B2 10/2006 Podany
8,211,026 B2 * 7/2012 Schutz et al. 600/437
2004/0225217 A1 * 11/2004 Voegelé et al. 600/439
2004/0267133 A1 12/2004 Podany
2005/0085731 A1 4/2005 Miller et al.
2008/0306387 A1 12/2008 Schutz et al.
2012/0197131 A1 8/2012 Georgiev et al.

* cited by examiner

Primary Examiner — T. Chase Nelson

Assistant Examiner — Mark Cavanna

(74) *Attorney, Agent, or Firm* — Christensen O'Connor Johnson Kindness PLLC

(57) **CLAIM**

The ornamental design for finger probe device, as shown and described.

DESCRIPTION

FIG. 1 is a front perspective view of a finger probe device showing our design.

FIG. 2 is a back perspective view thereof.

FIG. 3 is a front plan view thereof.

FIG. 4 is a back plan view thereof.

FIG. 5 is a left view thereof.

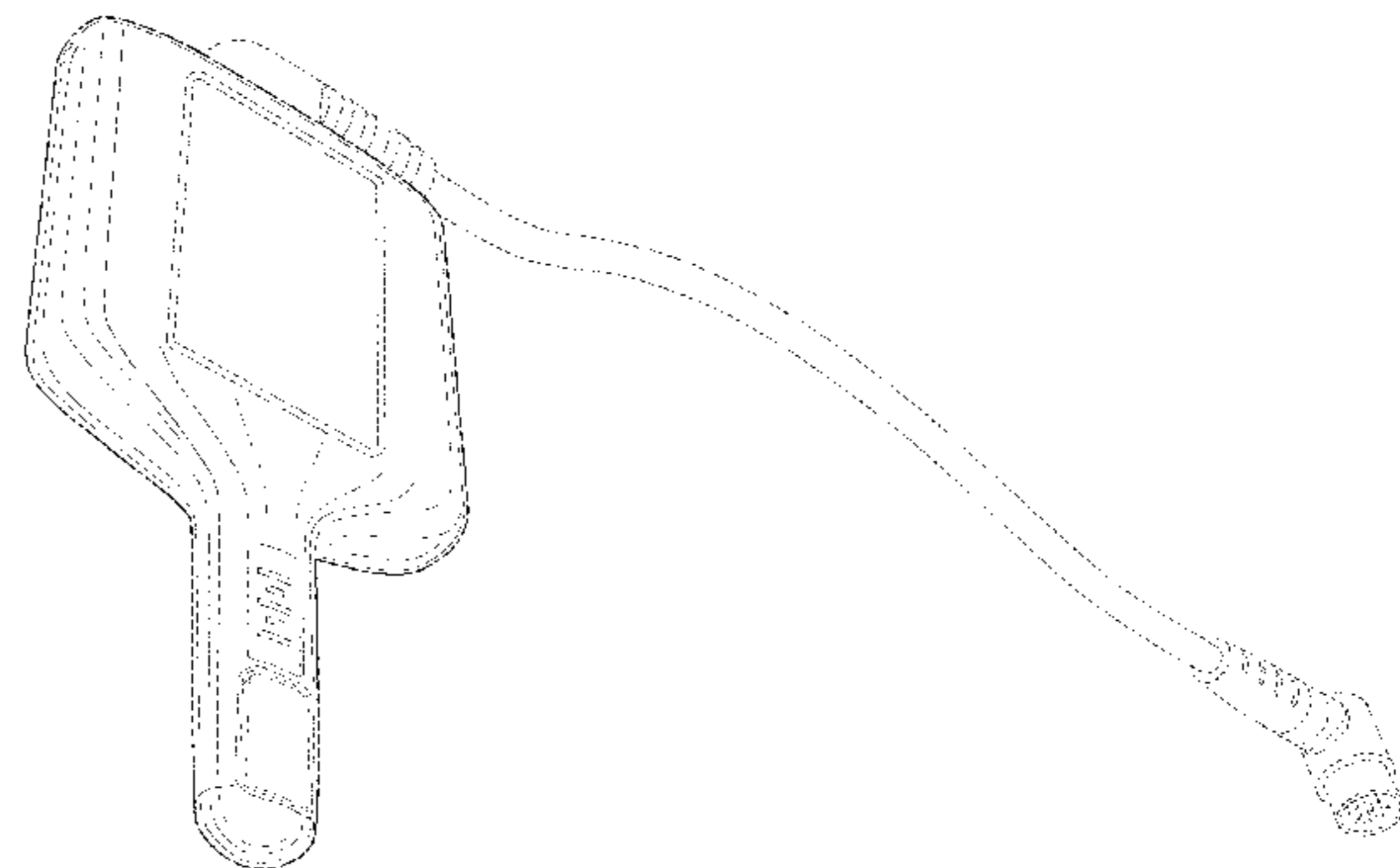
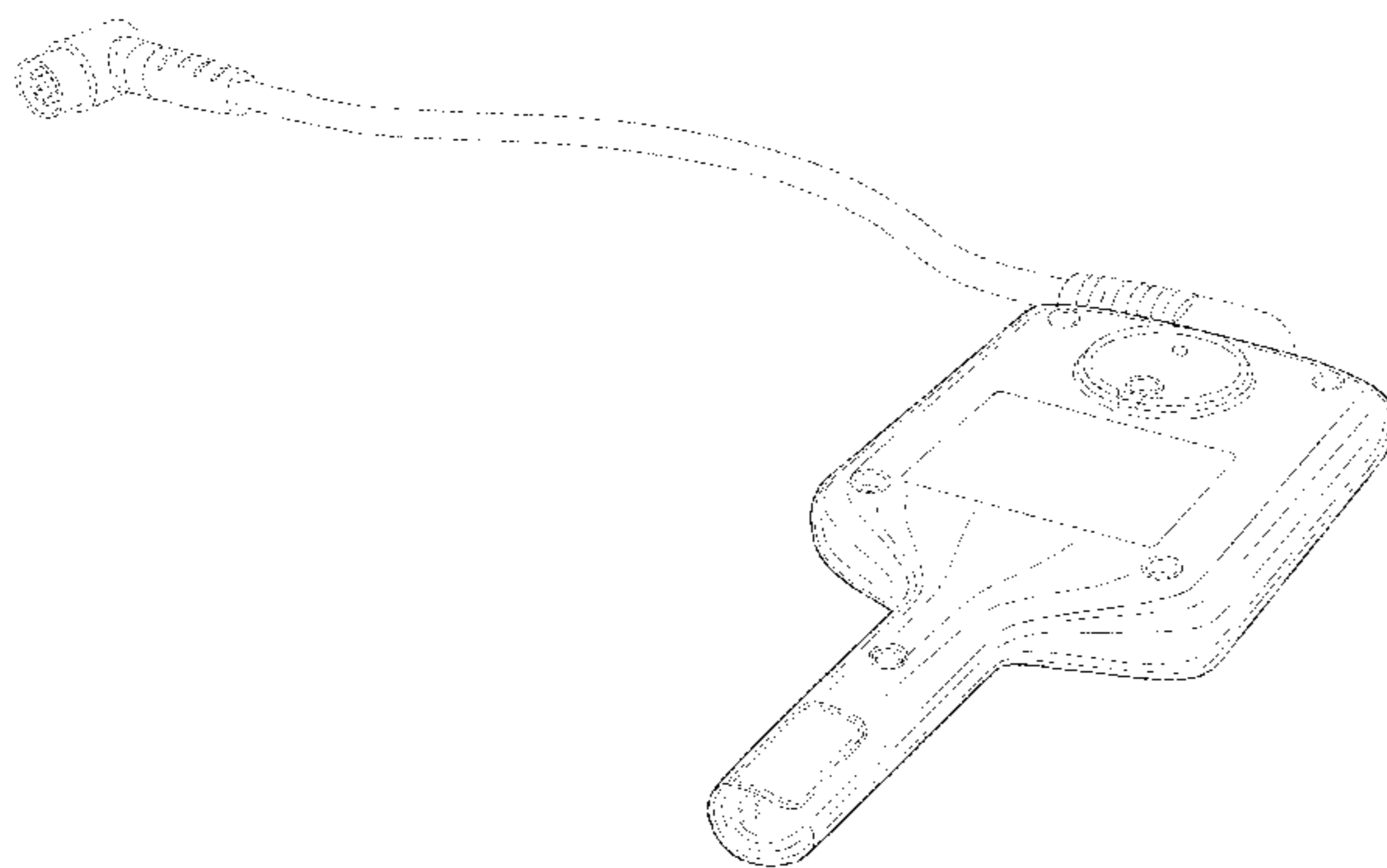
FIG. 6 is a right view thereof.

FIG. 7 is a top view thereof; and,

FIG. 8 is a bottom view thereof.

The broken lines form no part of the claimed design.

1 Claim, 6 Drawing Sheets



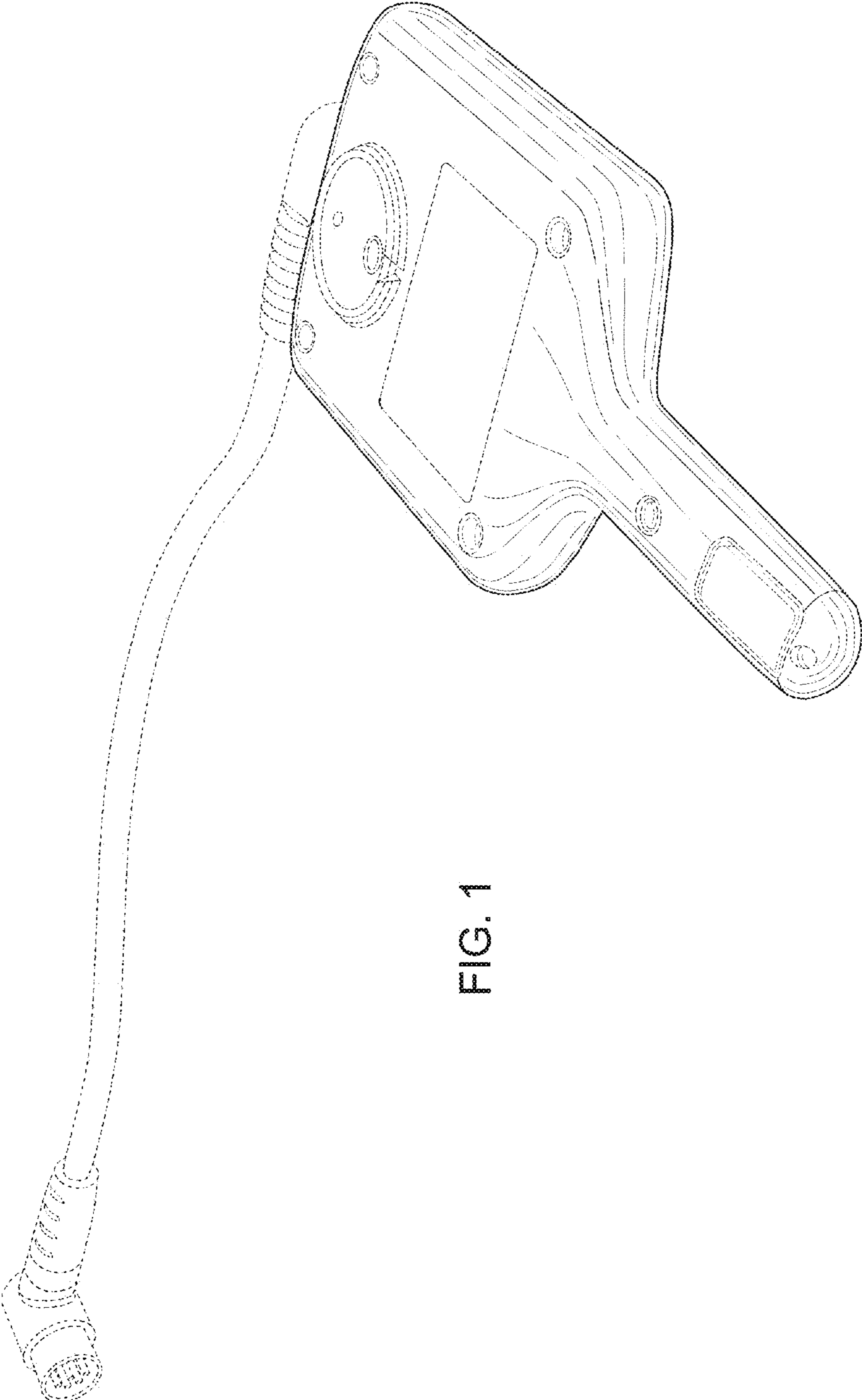


FIG. 1

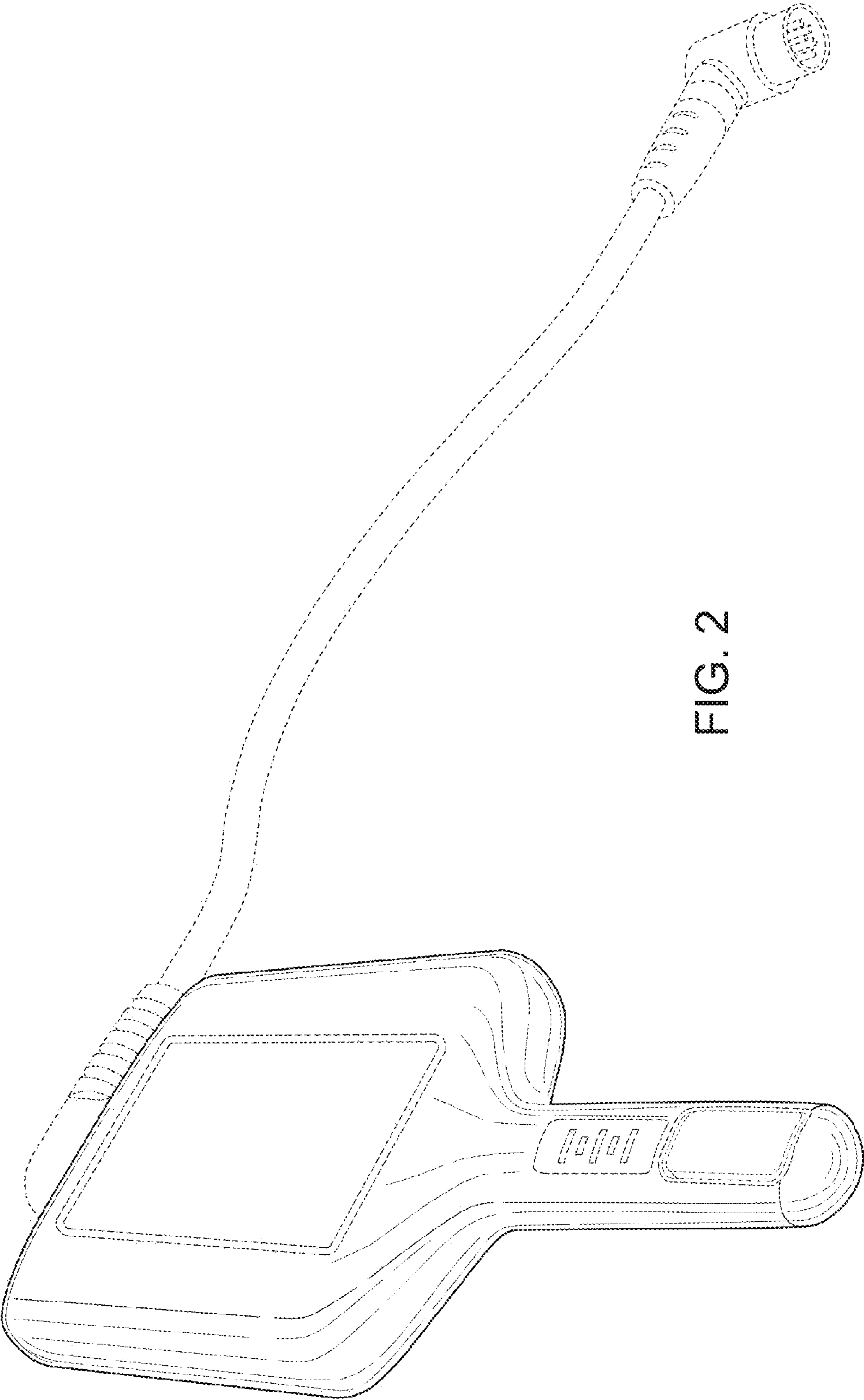


FIG. 2

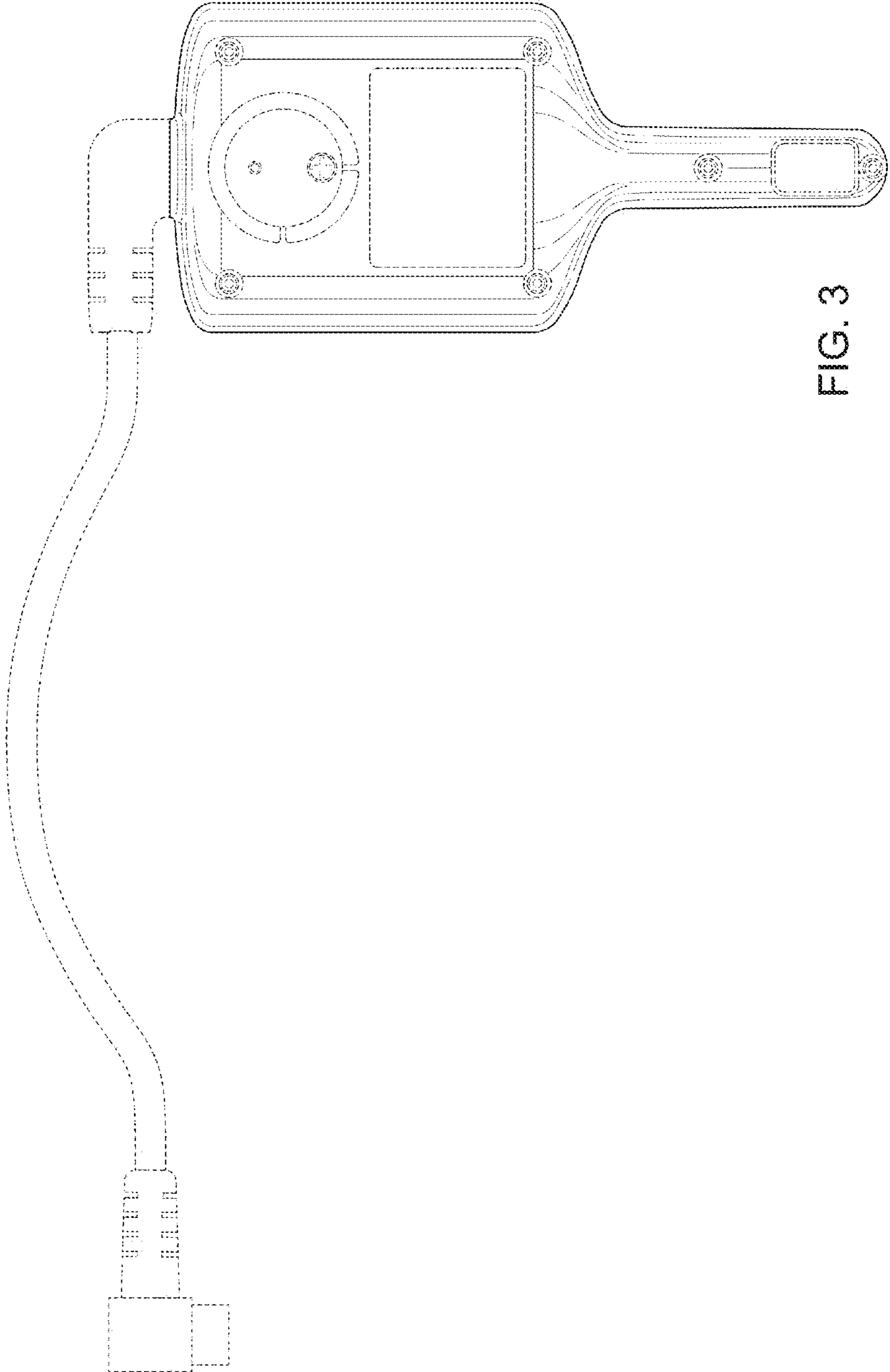


FIG. 3

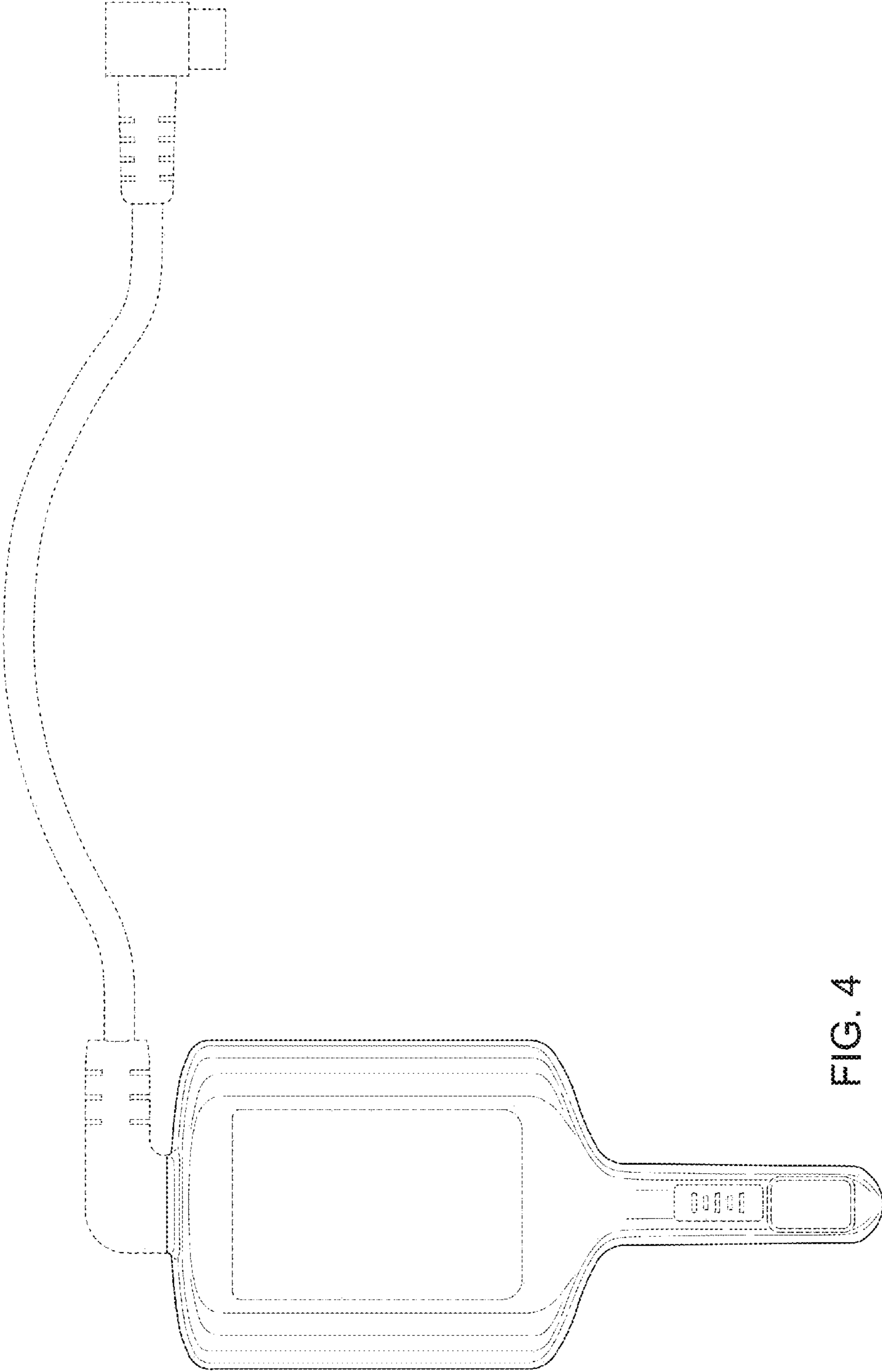


FIG. 4

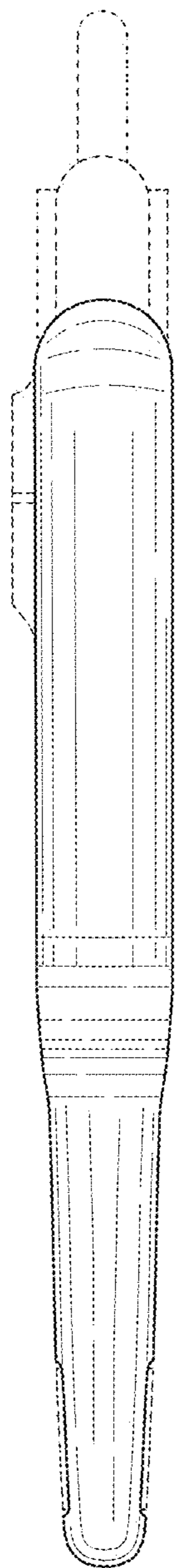


FIG. 5

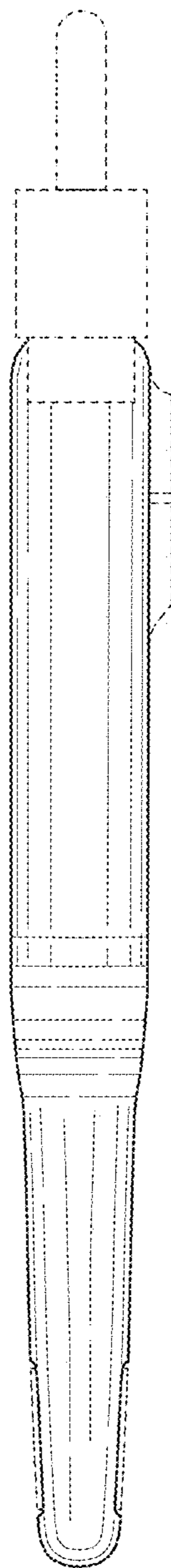


FIG. 6

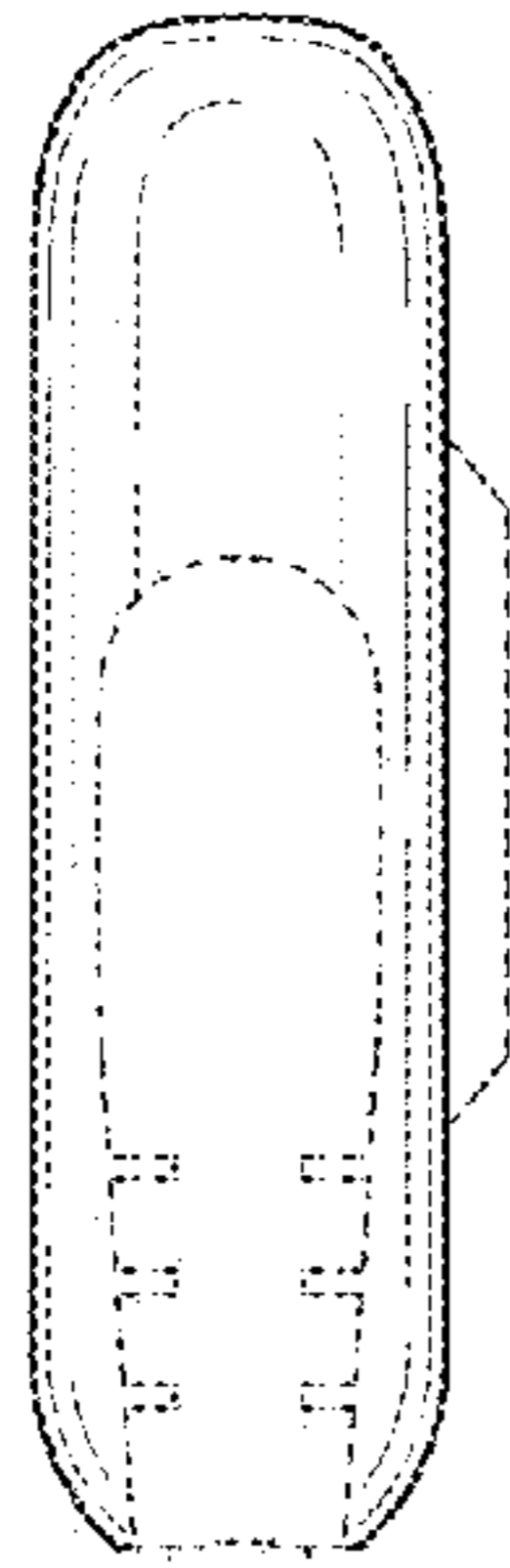


FIG. 7

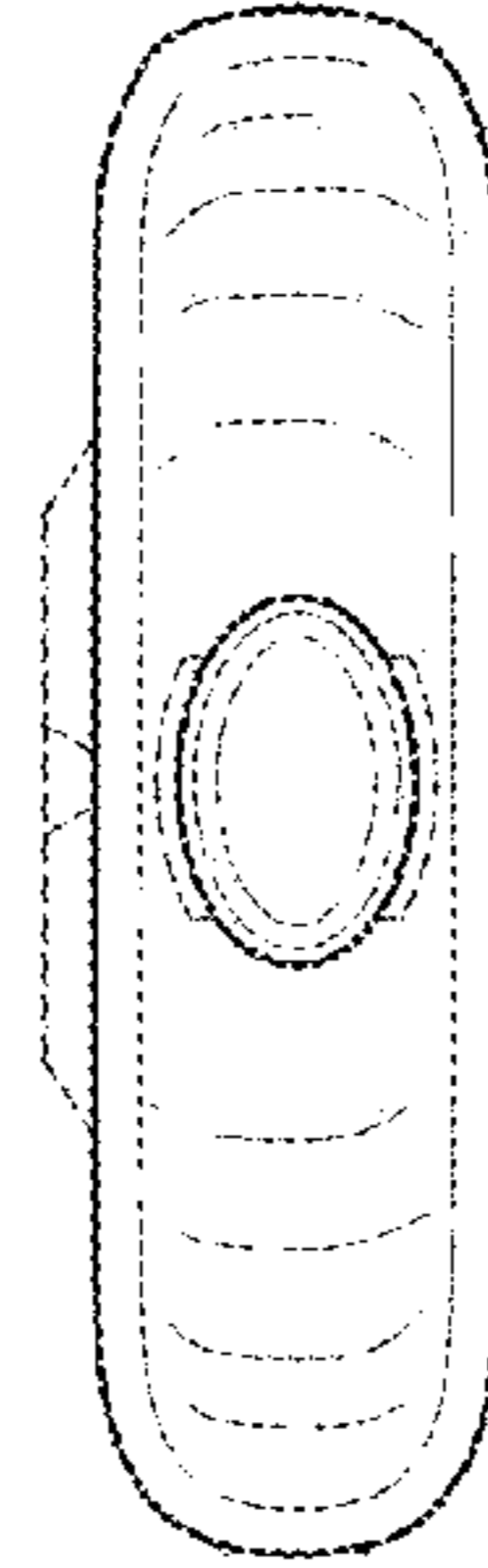


FIG. 8