



US00D699358S

(12) **United States Design Patent**  
**Kitt et al.**

(10) **Patent No.:** **US D699,358 S**

(45) **Date of Patent:** **\*\* Feb. 11, 2014**

(54) **ENDOSCOPY WORKSTATION**

(75) Inventors: **David Kitt**, Essex (GB); **Jerry Mills**, Essex (GB)

(73) Assignee: **KEYMED (Medical & Industrial Equipment) Ltd.** (GB)

(\*\*) Term: **14 Years**

(21) Appl. No.: **29/408,568**

(22) Filed: **Dec. 14, 2011**

(30) **Foreign Application Priority Data**

Sep. 26, 2011	(EM)	001295968-0001
Sep. 26, 2011	(EM)	001295968-0002
Oct. 19, 2011	(EM)	001298871-0001

(51) **LOC (10) Cl.** ..... **24-00**

(52) **U.S. Cl.**  
USPC ..... **D24/185; D24/234**

(58) **Field of Classification Search**  
USPC ..... D24/130, 143, 150, 164, 170, 171, 172, D24/177, 183, 185, 186, 188, 190, 221, 227, D24/234; 351/200–203, 218, 221, 224, 239, 351/243, 246

See application file for complete search history.

(56) **References Cited**

**U.S. PATENT DOCUMENTS**

1,660,898	A	2/1928	Worley, Jr.
1,778,075	A	12/1929	Harris
4,230,052	A	10/1980	Champagne

(Continued)

**FOREIGN PATENT DOCUMENTS**

DE	029719839	U1	1/1998
DE	029910086	U1	7/1999

(Continued)

**OTHER PUBLICATIONS**

Japanese Examination Report, Application No. JP 2011-025751, Mar. 6, 2012.

(Continued)

*Primary Examiner* — Robert M Spear

*Assistant Examiner* — Rhea Shields

(74) *Attorney, Agent, or Firm* — Luedeka Neely Group, PC

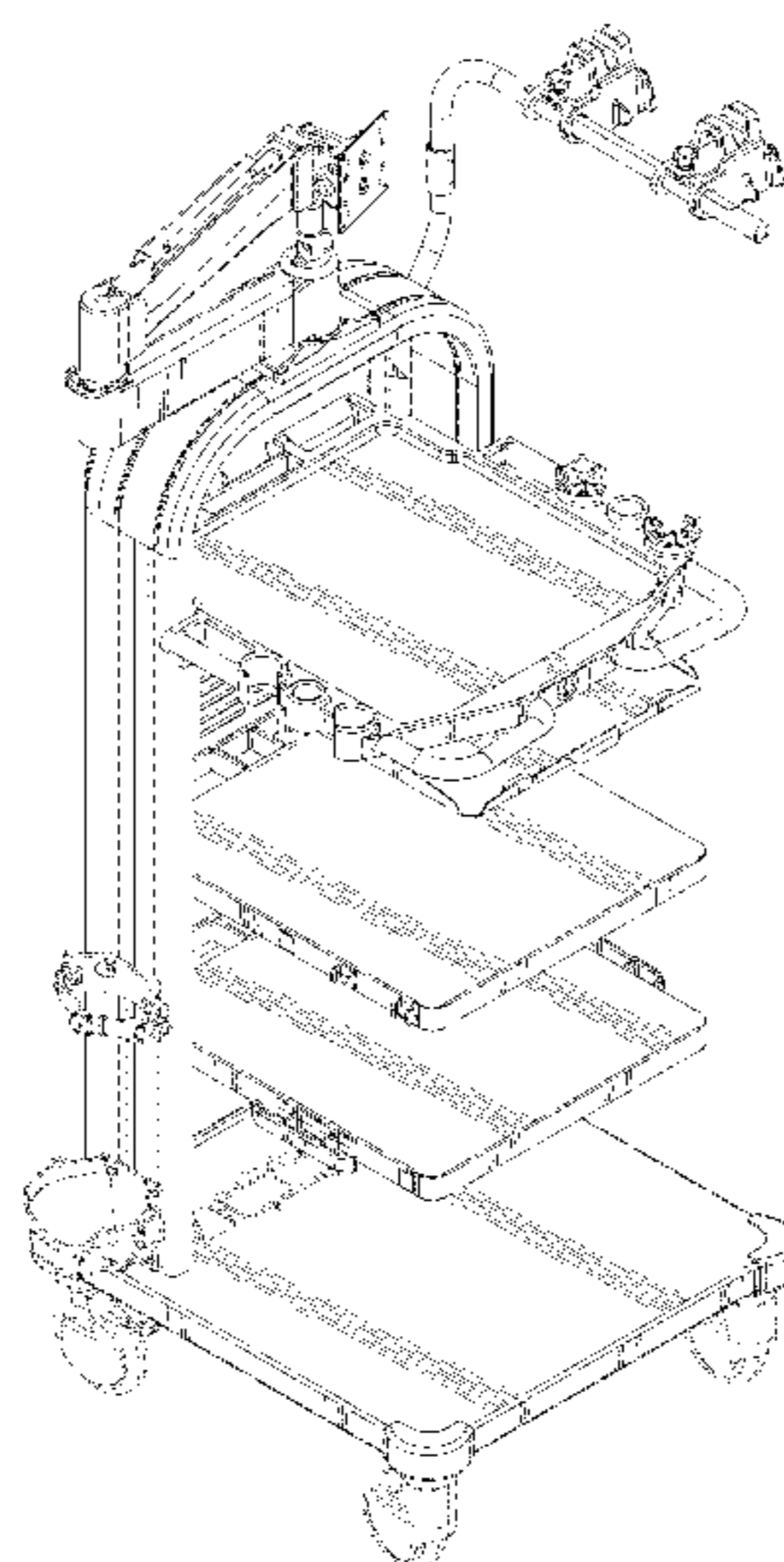
(57) **CLAIM**

The ornamental design for an endoscopy workstation, as claimed and described.

**DESCRIPTION**

FIG. 1 is frontal perspective view of the endoscopy workstation of our new design;  
 FIG. 2 is a front plan view of the endoscopy workstation of our new design;  
 FIG. 3 is a rear plan view of the endoscopy workstation of our new design;  
 FIG. 4 is a right side view of the endoscopy workstation of our new design;  
 FIG. 5 is a left side view of the endoscopy workstation of our new design;  
 FIG. 6 is a top plan view of the endoscopy workstation of our new design;  
 FIG. 7 is a bottom plan view of the endoscopy workstation of our new design;  
 FIG. 8 is an enlarged view of a portion of FIG. 1;  
 FIG. 9 is an enlarged view of a portion of FIG. 1;  
 FIG. 10 is an enlarged view of a portion of FIG. 1; and,  
 FIG. 11 is an enlarged view of a portion of FIG. 1.  
 The broken lines in the figures illustrate unclaimed environment only and form no part of the claimed design.

**1 Claim, 11 Drawing Sheets**



(56)

**References Cited**

U.S. PATENT DOCUMENTS

4,615,278 A 10/1986 Cabrelli  
4,892,044 A 1/1990 Welsch  
D337,822 S \* 7/1993 Janke ..... D24/185  
5,590,974 A 1/1997 Yang  
7,424,958 B1 9/2008 Eley  
D625,071 S \* 10/2010 Shigeno et al. .... D34/17  
D655,013 S \* 2/2012 Sabaris Vilas ..... D24/185  
2004/0182804 A1 9/2004 Harper  
2005/0045573 A1 3/2005 Winig et al.  
2012/0111818 A1\* 5/2012 Kitt et al. .... 211/134

FOREIGN PATENT DOCUMENTS

DE 020207265 U1 9/2002  
EP 0104678 A1 4/1984

GB 0870428 A 6/1961  
GB 1549138 A 8/1979  
GB 2214414 A 9/1989  
GB 2473805 B 10/2011  
GB 2481835 A 1/2012  
JP 2009000169 A 1/2009  
JP 2011025751 2/2011

OTHER PUBLICATIONS

[http://olympus.co.jp/jp/news/2011b/image/nr110712viseraj\\_01.jpg](http://olympus.co.jp/jp/news/2011b/image/nr110712viseraj_01.jpg), Jul. 29, 2011 (see p. 2 of Japanese Exam Report listed above).  
European Patent Office, Authorized Officer Jan Petzold International Search Report PCT/GB2010/001305 date of mailing Nov. 5, 2010.  
European Patent Office, Authorized Officer Jan Petzold International Search Report PCT/GB2010/001303 date of mailing Oct. 18, 2010.

\* cited by examiner

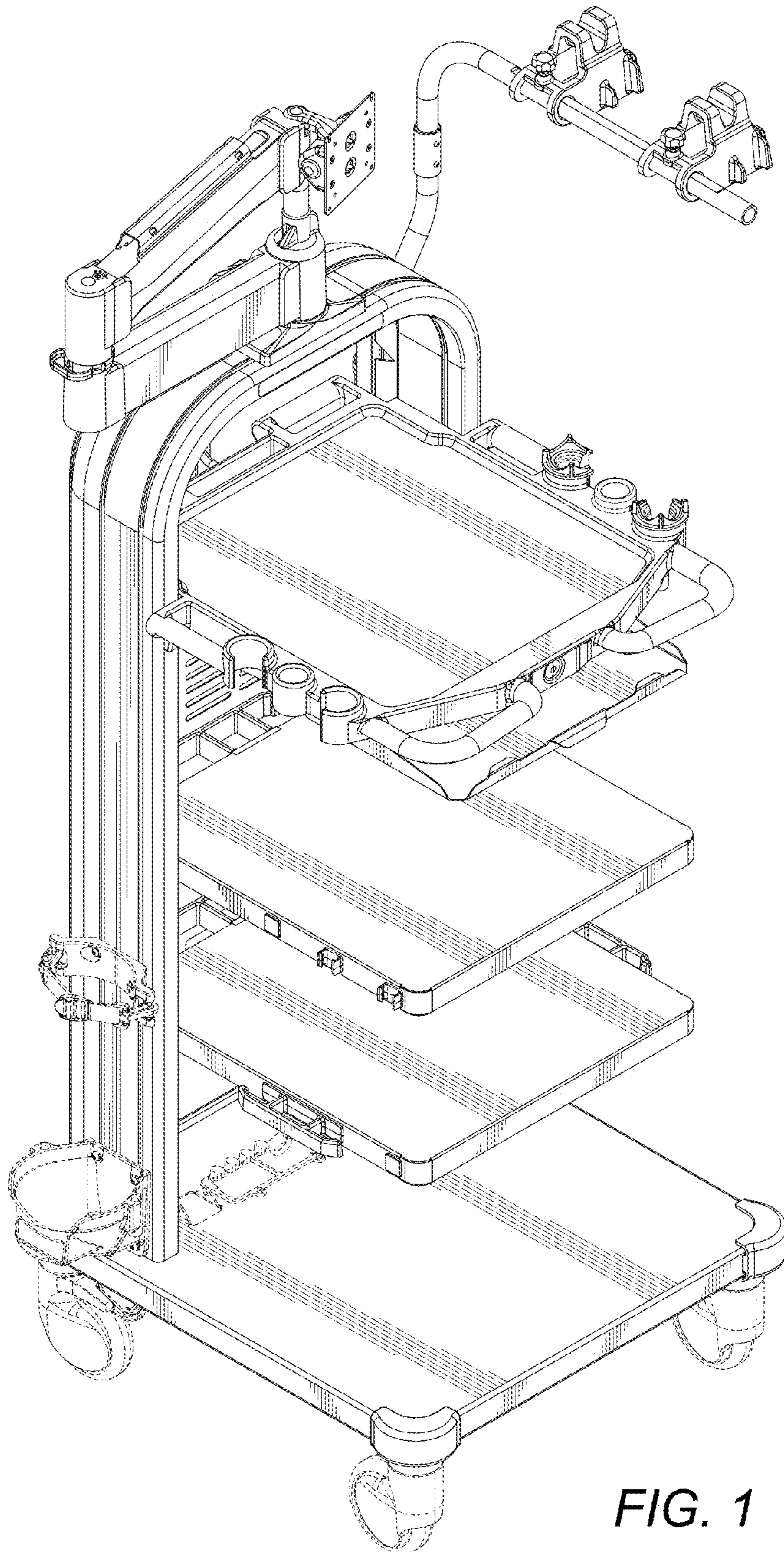


FIG. 1

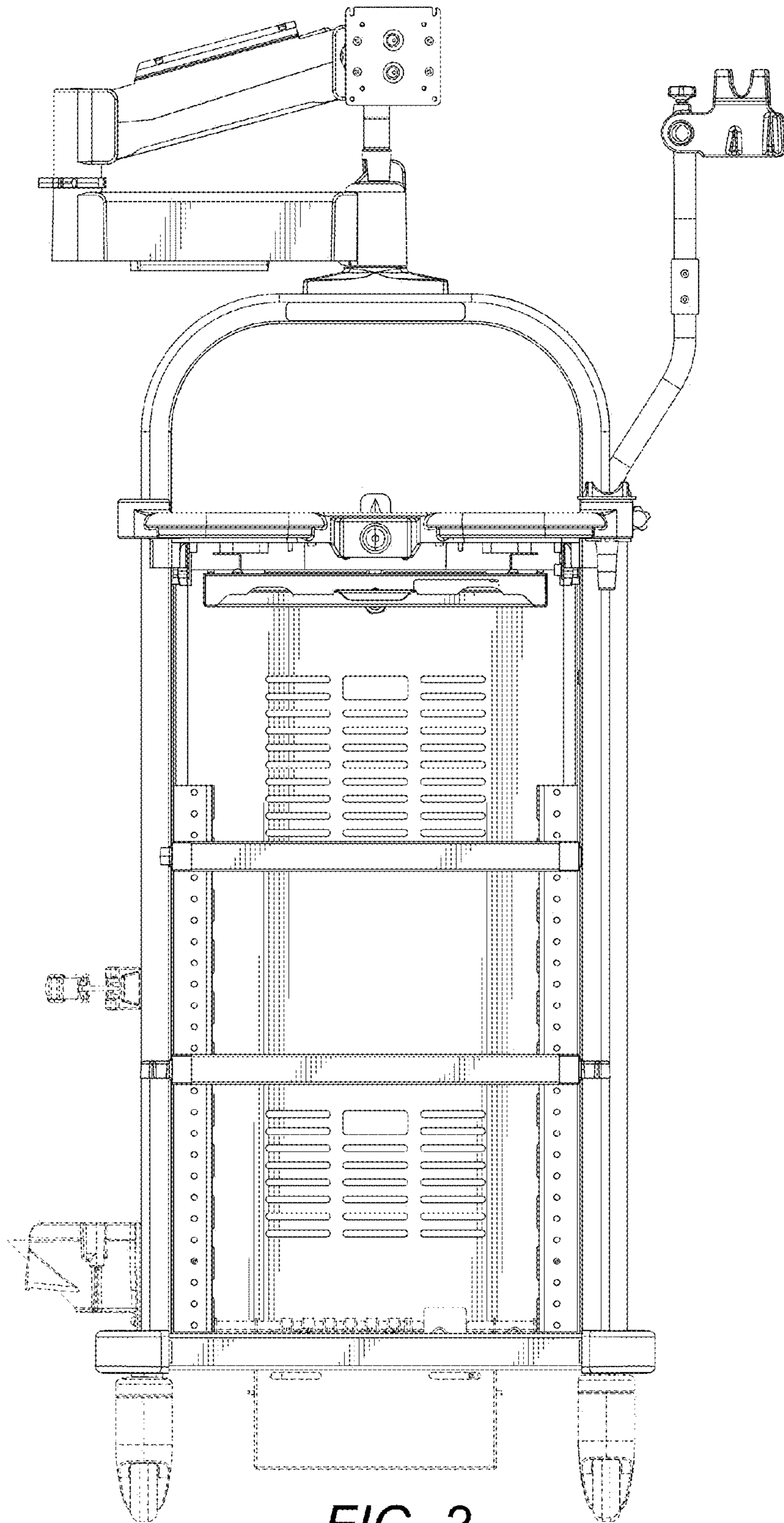


FIG. 2

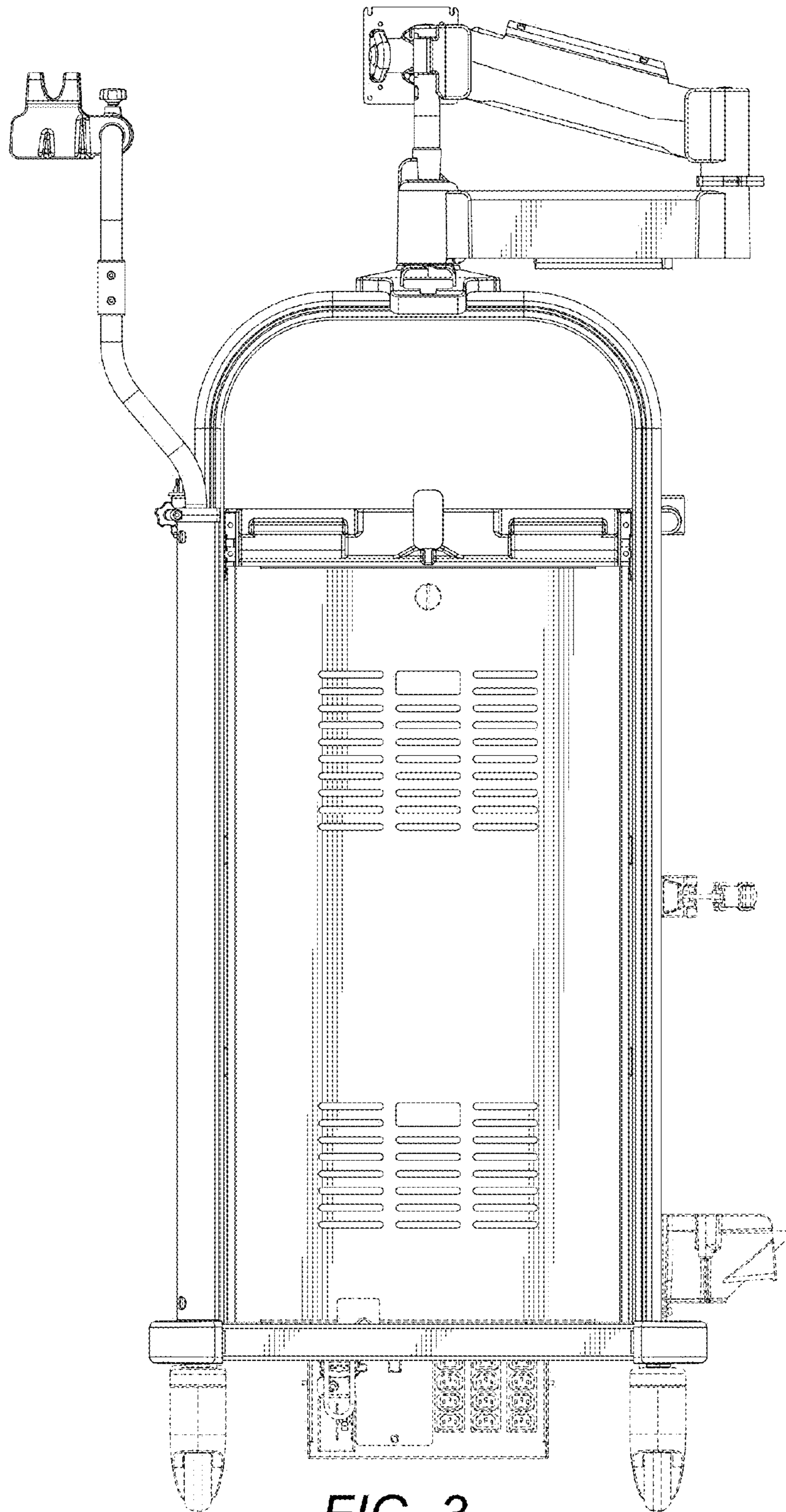


FIG. 3

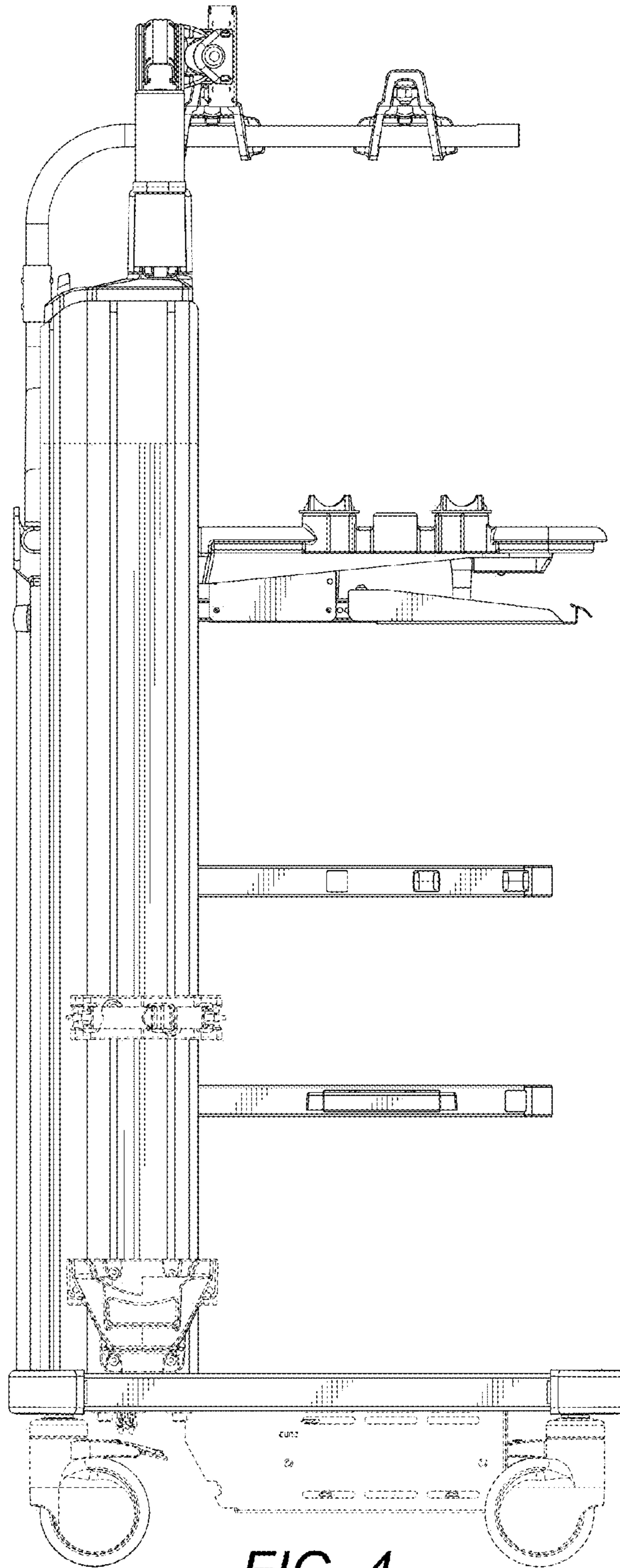


FIG. 4

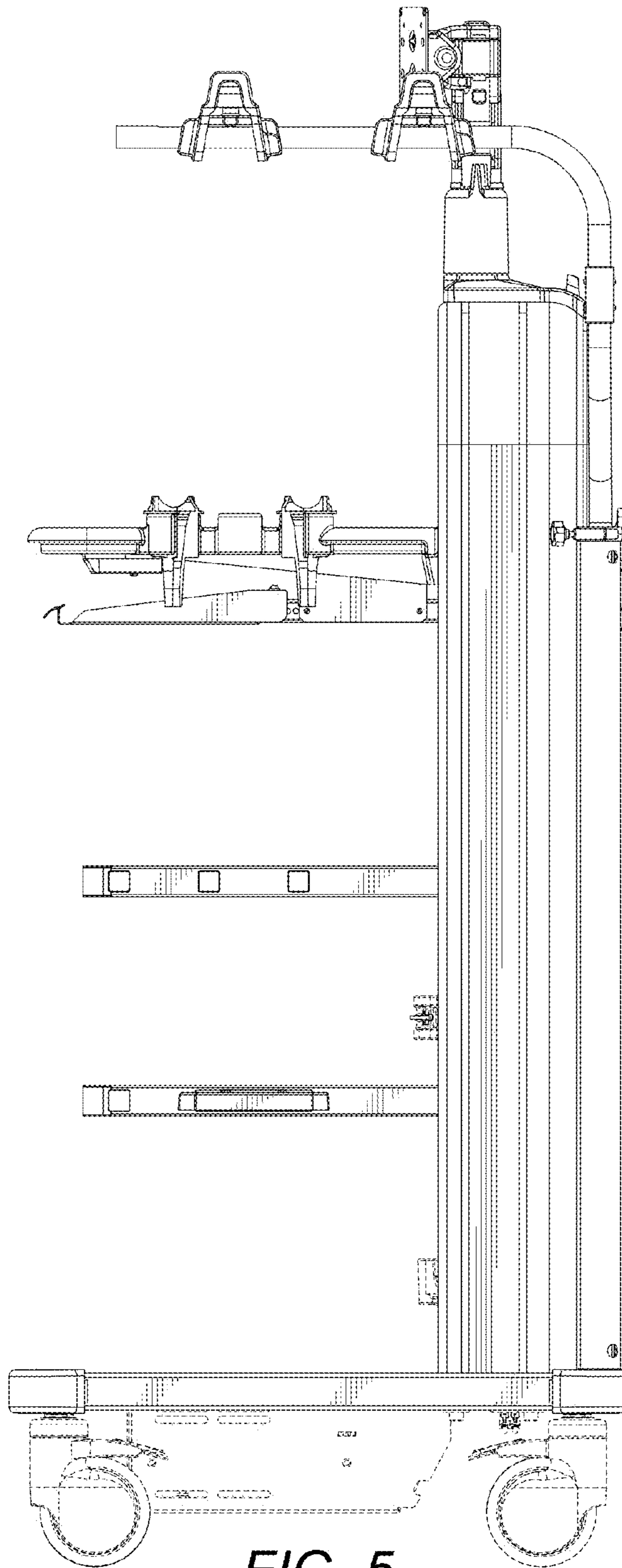


FIG. 5

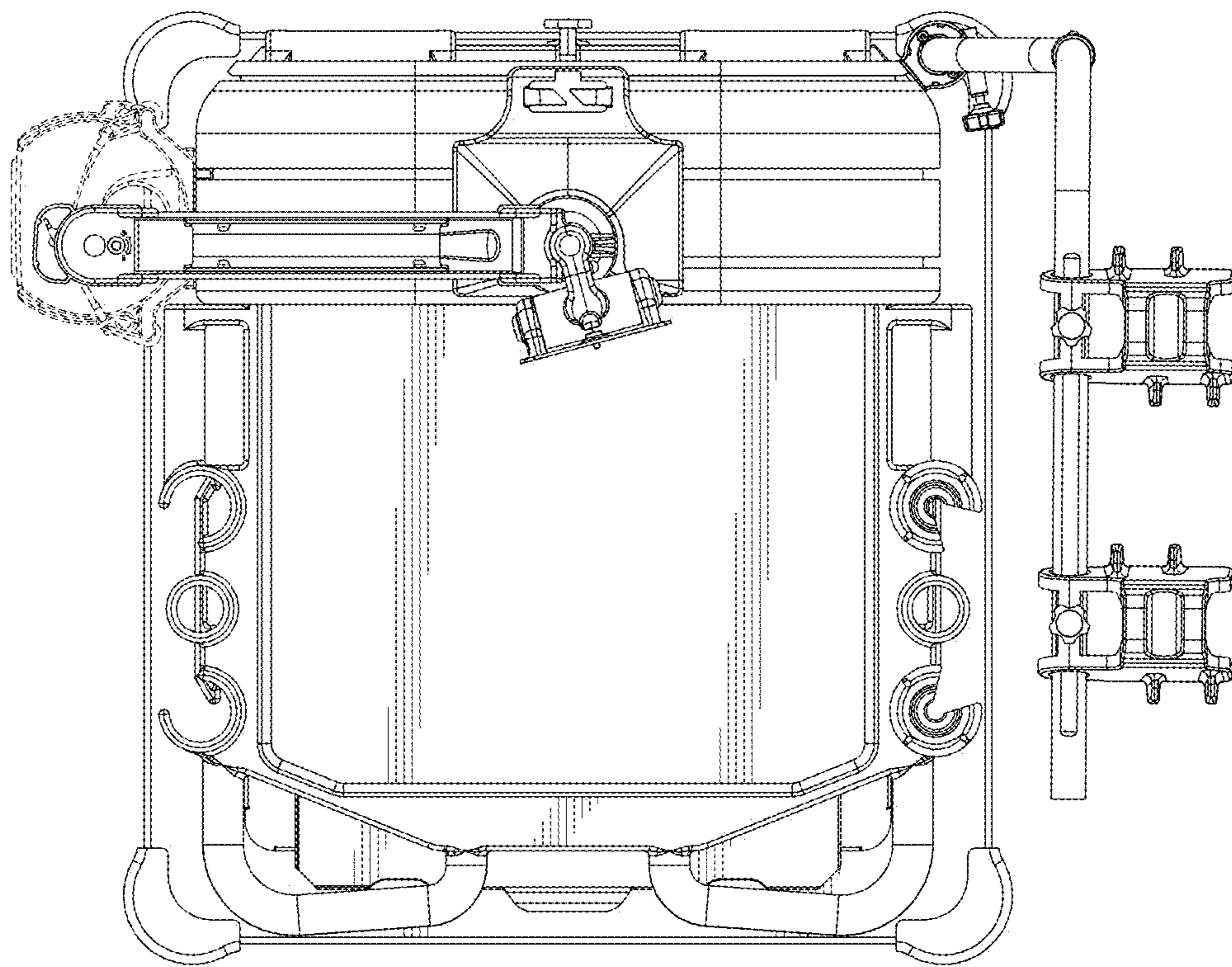
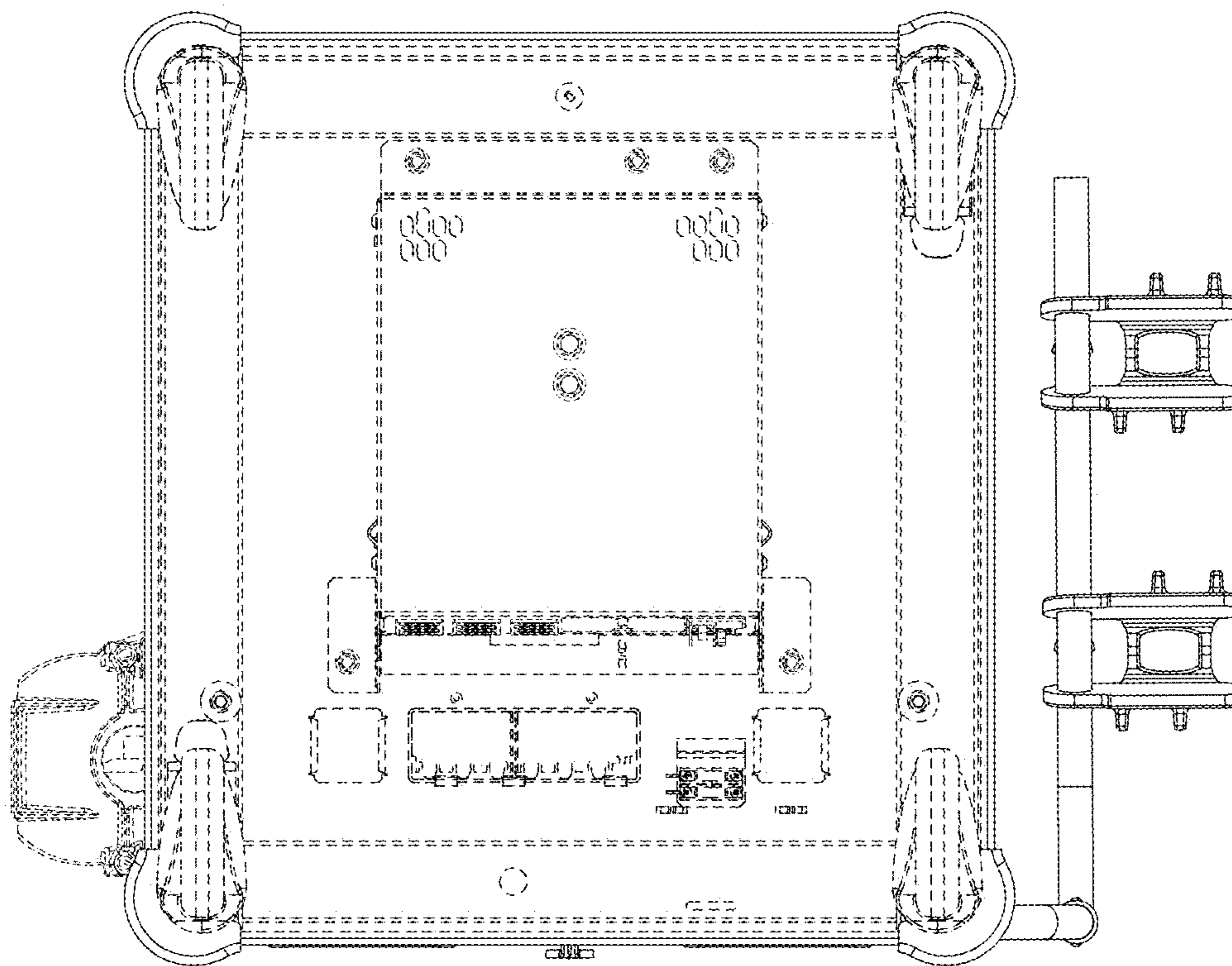


FIG. 6





**FIG. 7**

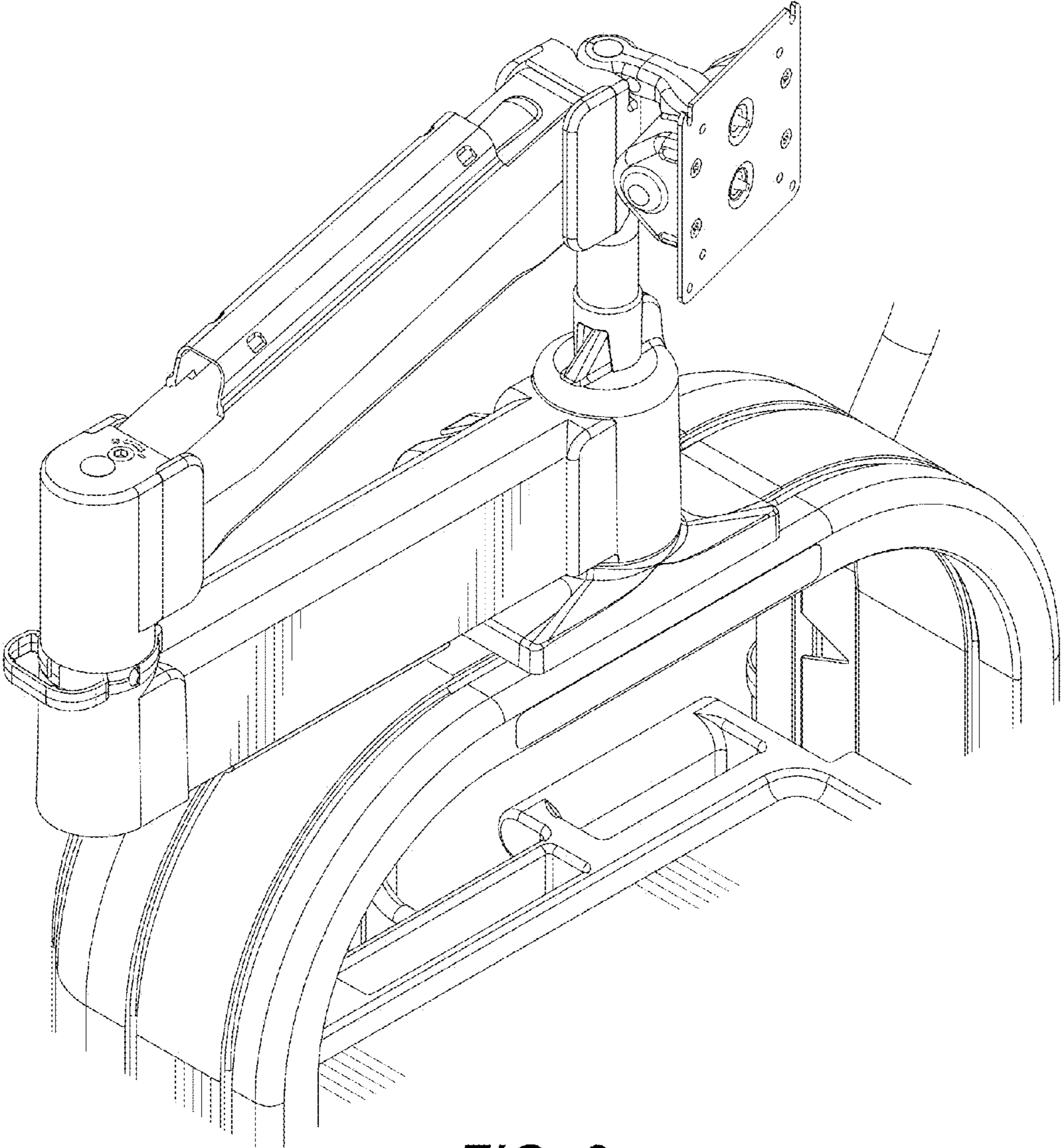


FIG. 8

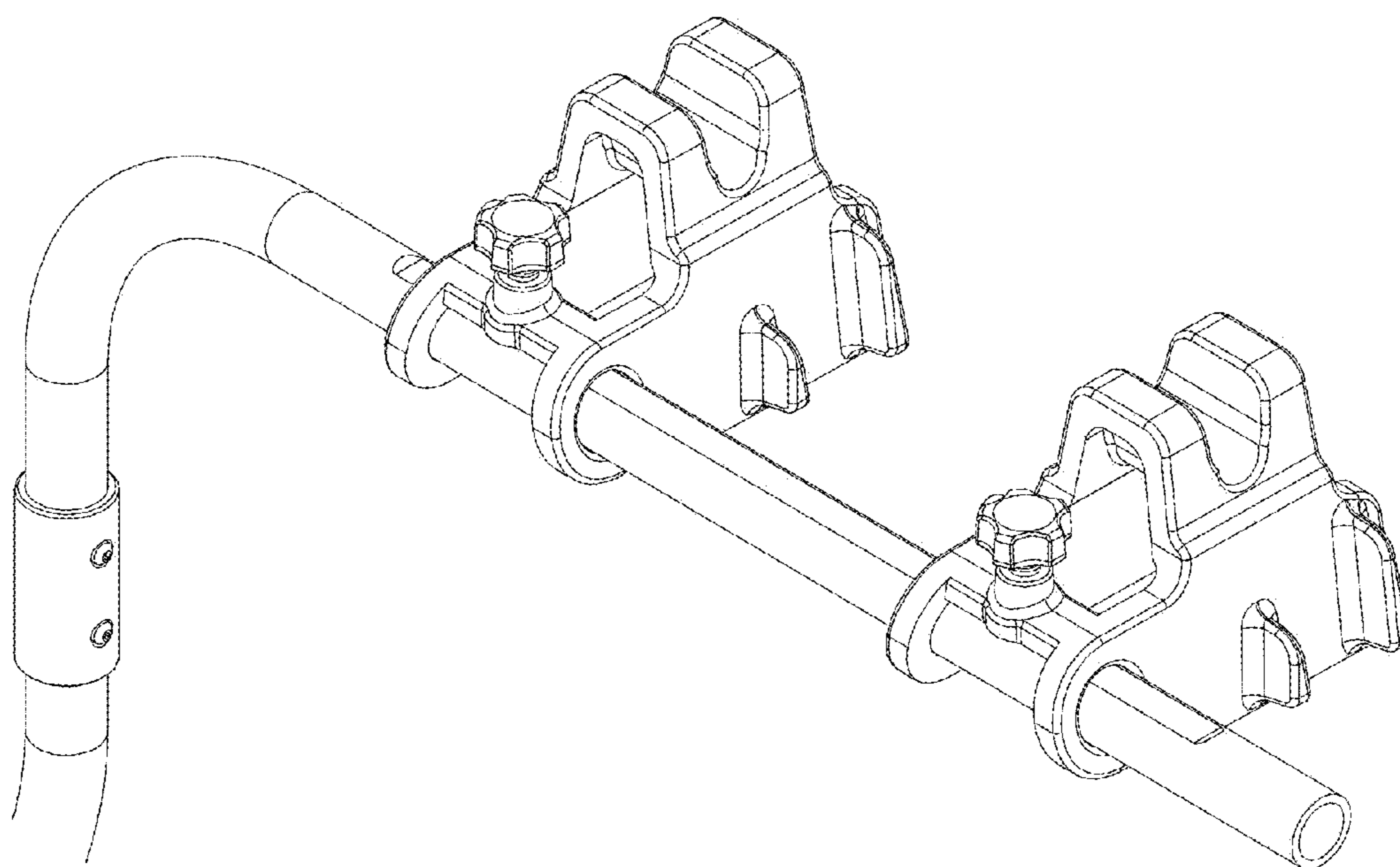


FIG. 9

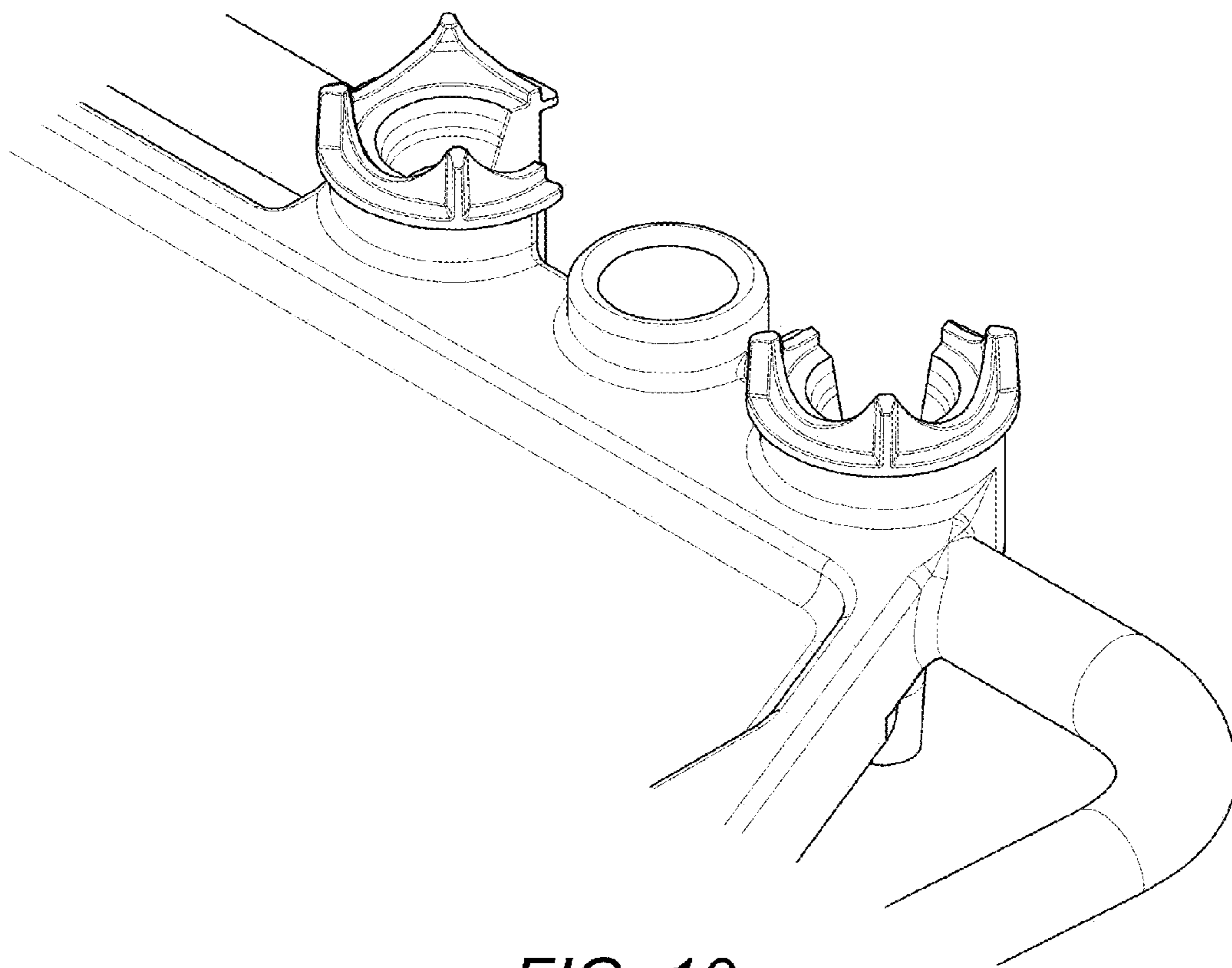
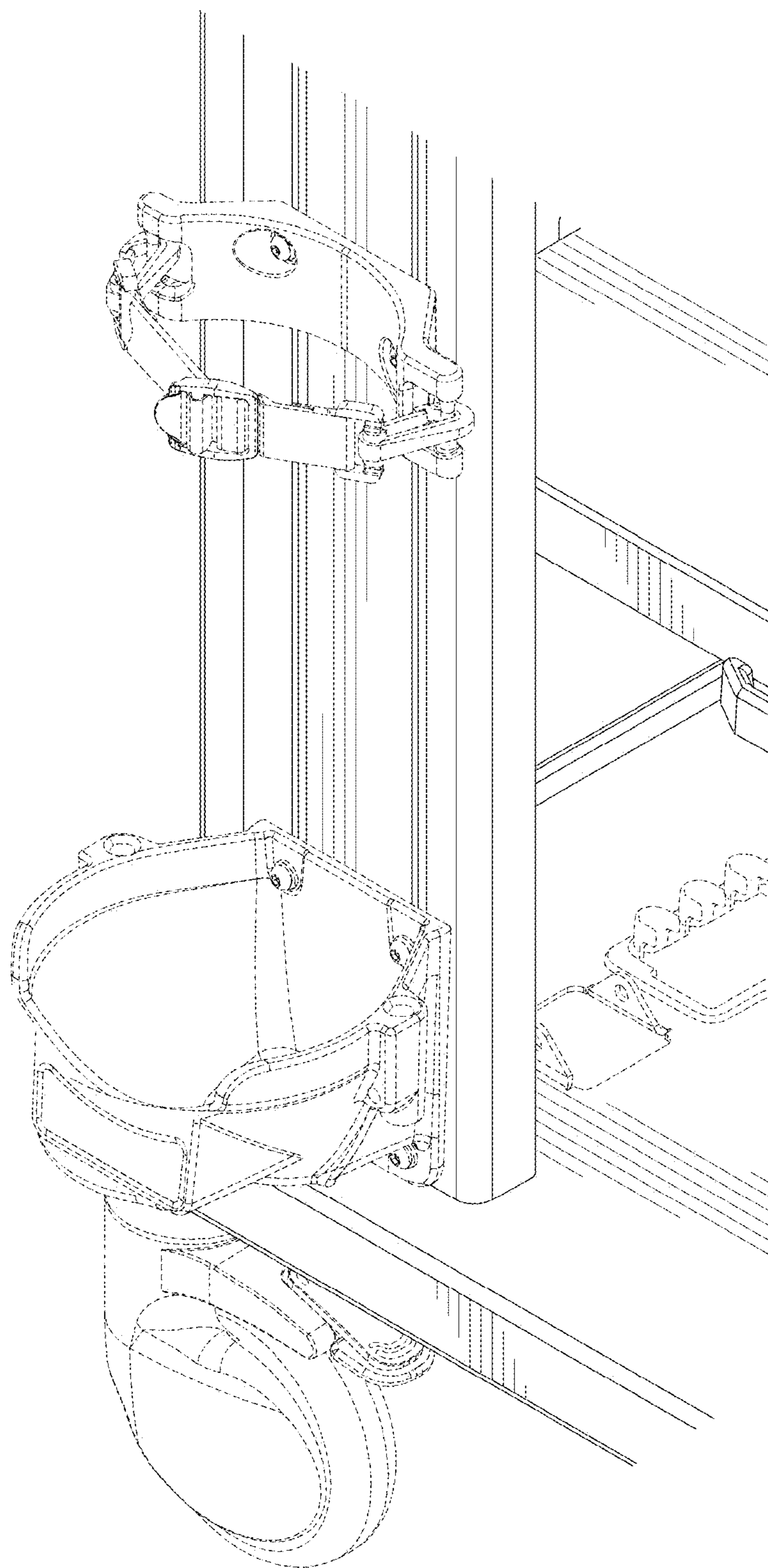


FIG. 10



**FIG. 11**