



US00D699356S

(12) **United States Design Patent**
Patil

(10) **Patent No.:** **US D699,356 S**

(45) **Date of Patent:** **** Feb. 11, 2014**

(54) **INTENSIVE CARE UNIT VENTILATOR MACHINE**

(74) *Attorney, Agent, or Firm* — The Small Patent Law Group; Dean D. Small

(75) Inventor: **Mahendra Madhukar Patil**, Bangalore (IN)

(57) **CLAIM**

The ornamental design of an intensive care unit ventilator machine, as shown and described.

(73) Assignee: **General Electric Company**, Schenectady, NY (US)

DESCRIPTION

(**) Term: **14 Years**

FIG. 1 is a front perspective view of an intensive care unit ventilator machine showing my new design

(21) Appl. No.: **29/400,999**

FIG. 2 is another front perspective view of the intensive care unit ventilator machine shown in FIG. 1.

(22) Filed: **Sep. 6, 2011**

FIG. 3 is a back perspective view of the intensive care unit ventilator machine shown in FIG. 1.

(51) **LOC (10) Cl.** **24-01**

FIG. 4 is another back perspective view of the intensive care unit ventilator machine shown in FIG. 1.

(52) **U.S. Cl.**
USPC **D24/164**

FIG. 5 is a front elevation view of the intensive care unit ventilator machine shown in FIG. 1.

(58) **Field of Classification Search**
USPC D24/164, 165, 167, 232, 107;
128/204.18, 204.21, 204.14
See application file for complete search history.

FIG. 6 is a rear elevation view of the intensive care unit ventilator machine shown in FIG. 1.

(56) **References Cited**

FIG. 7 is a side elevation view of the intensive care unit ventilator machine shown in FIG. 1.

U.S. PATENT DOCUMENTS

FIG. 8 is another side elevation view of the intensive care unit ventilator machine shown in FIG. 1.

D489,816 S *	5/2004	Ross	D24/107
D490,516 S *	5/2004	Takahashi et al.	D24/107
2003/0062045 A1 *	4/2003	Woodring et al.	128/204.18
2008/0053438 A1 *	3/2008	DeVries et al.	128/204.21
2011/0132360 A1 *	6/2011	Feldhahn et al.	128/204.14

FIG. 9 is a top plan view of the intensive care unit ventilator machine shown in FIG. 1; and,

FIG. 10 is a bottom plan view of the intensive care unit ventilator machine shown in FIG. 1.

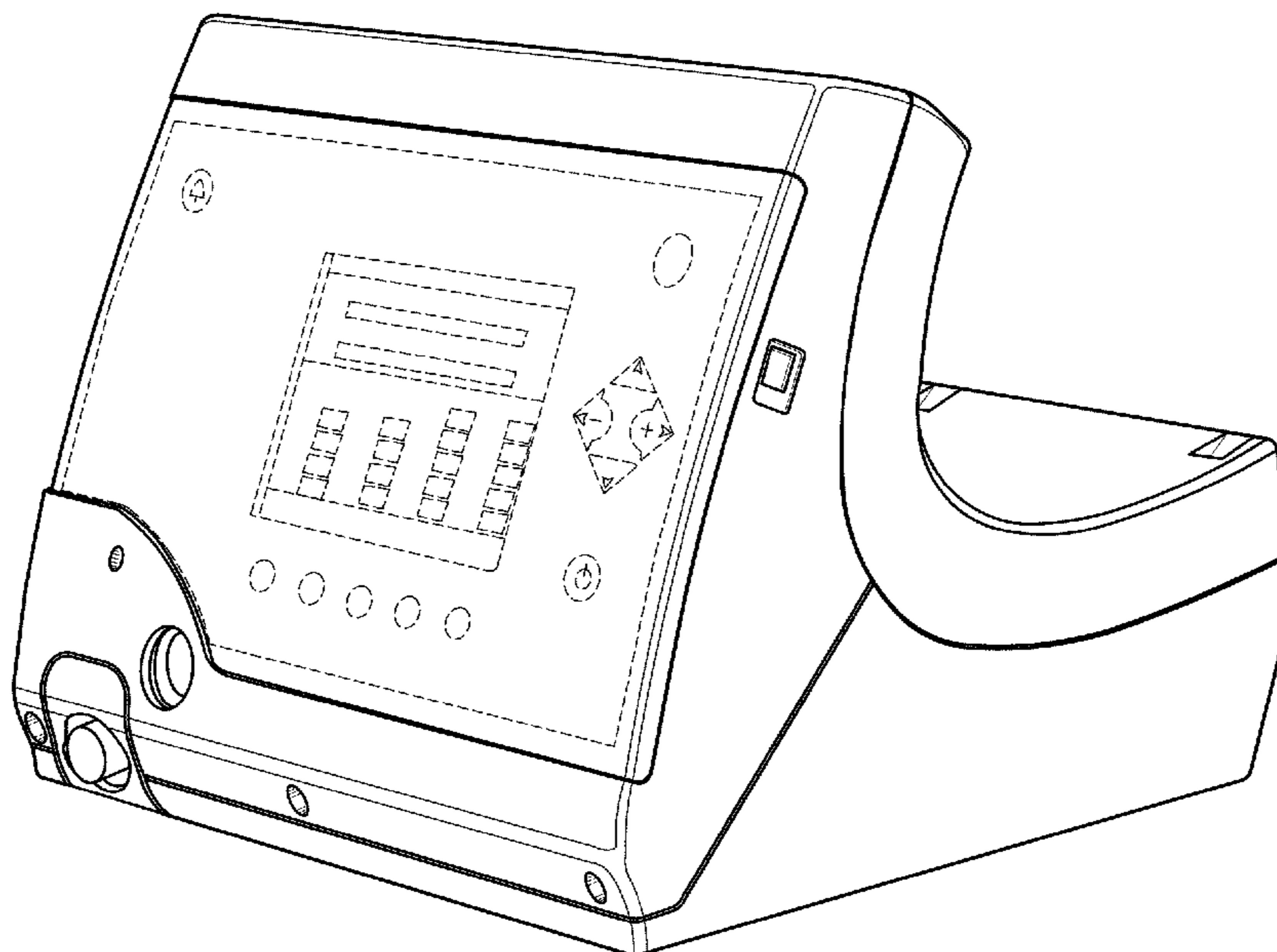
* cited by examiner

The broken lines shown in the drawings are for the purpose of illustrating portions of the article and form no part of the claimed design.

Primary Examiner — T. Chase Nelson

Assistant Examiner — Ania Aman

1 Claim, 10 Drawing Sheets



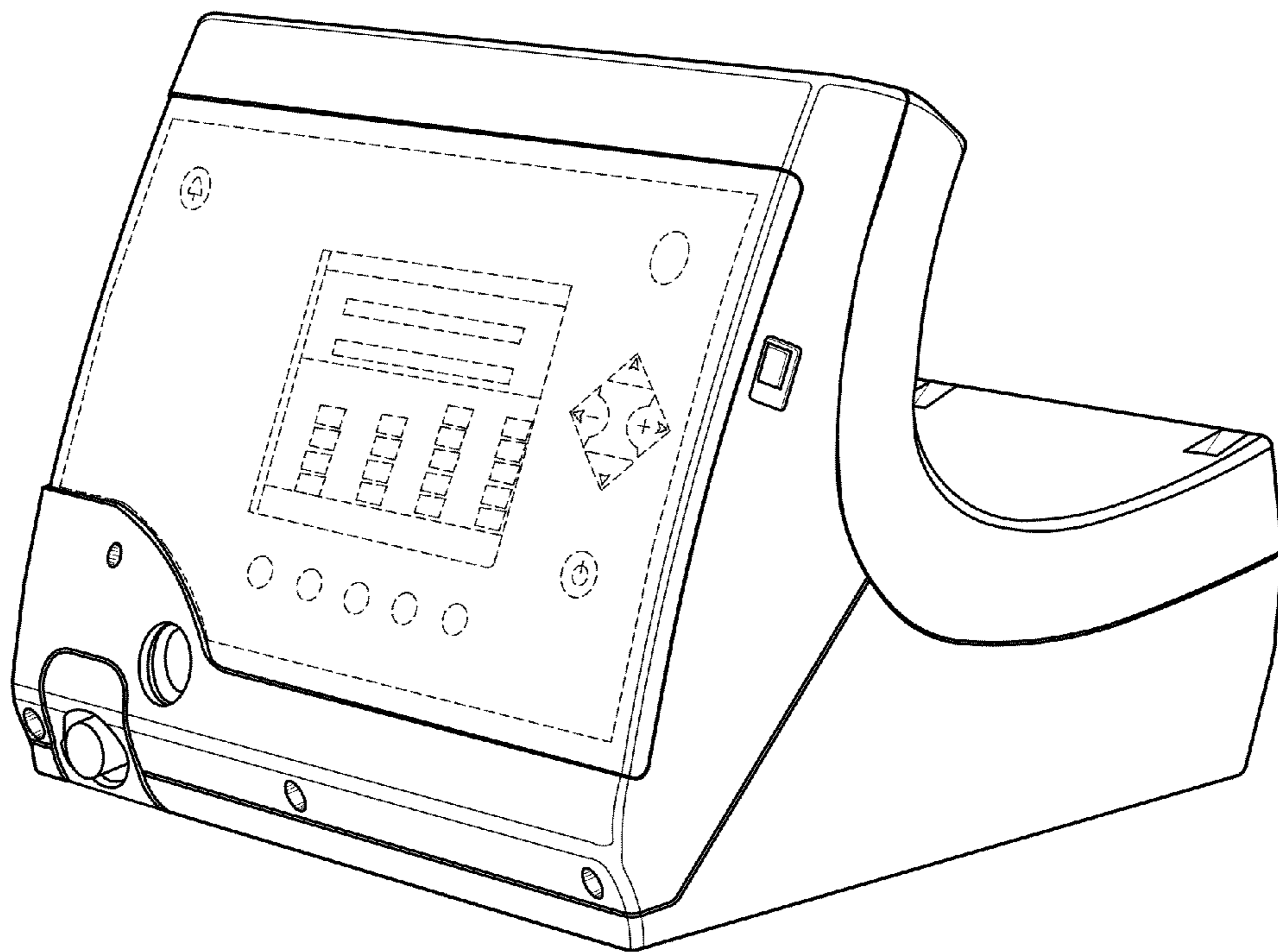


FIG. 1

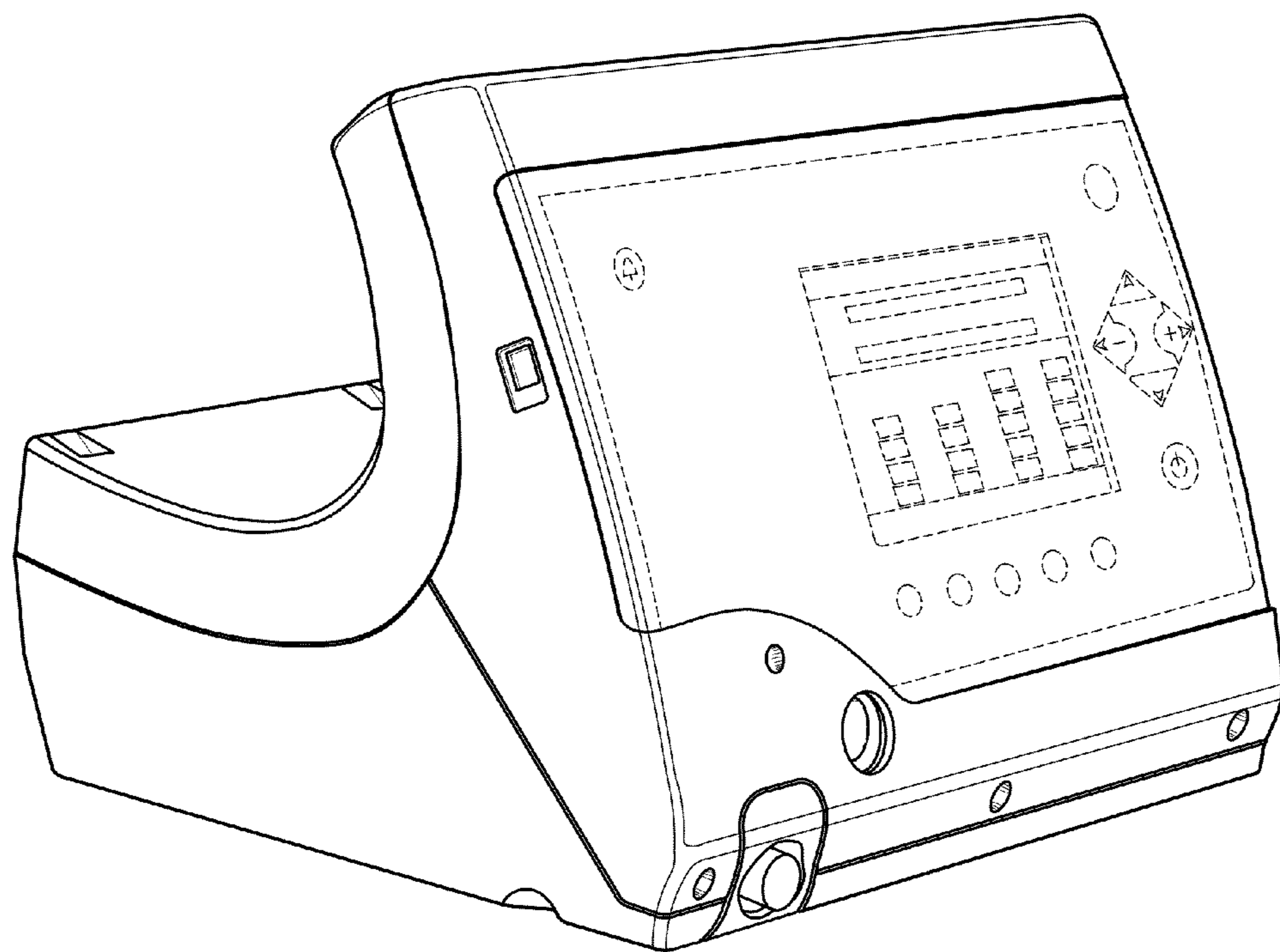


FIG. 2

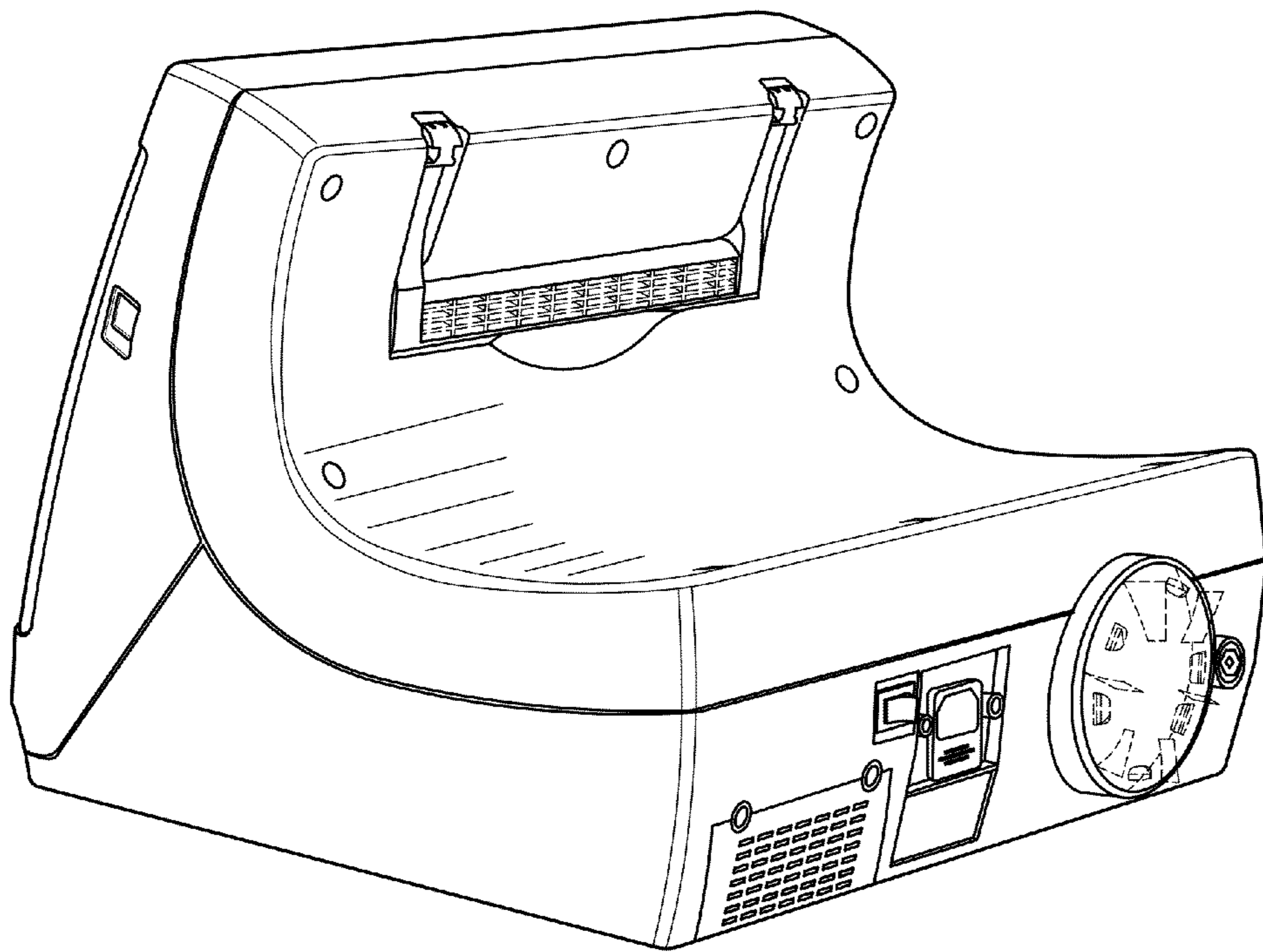


FIG. 3

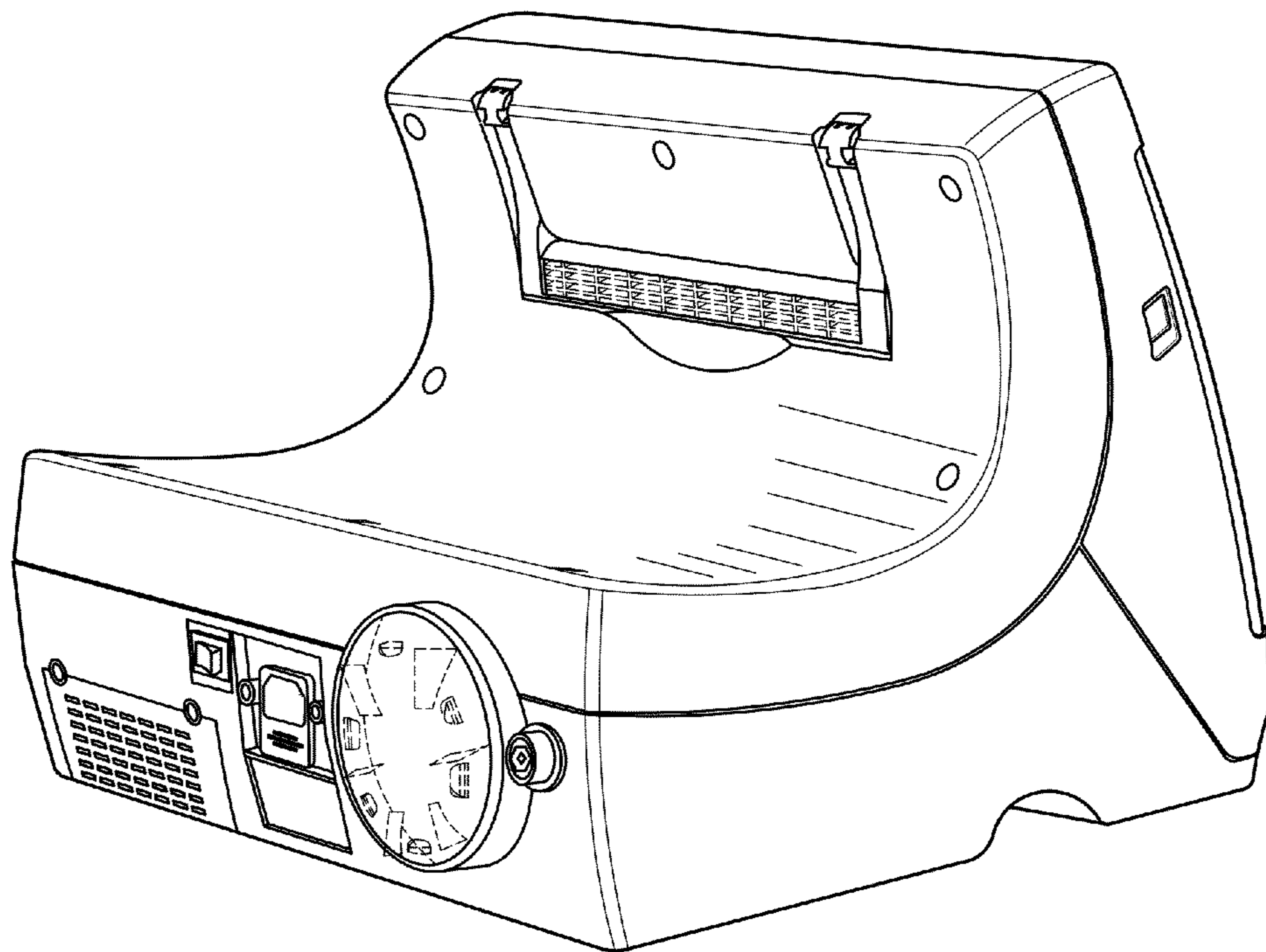


FIG. 4

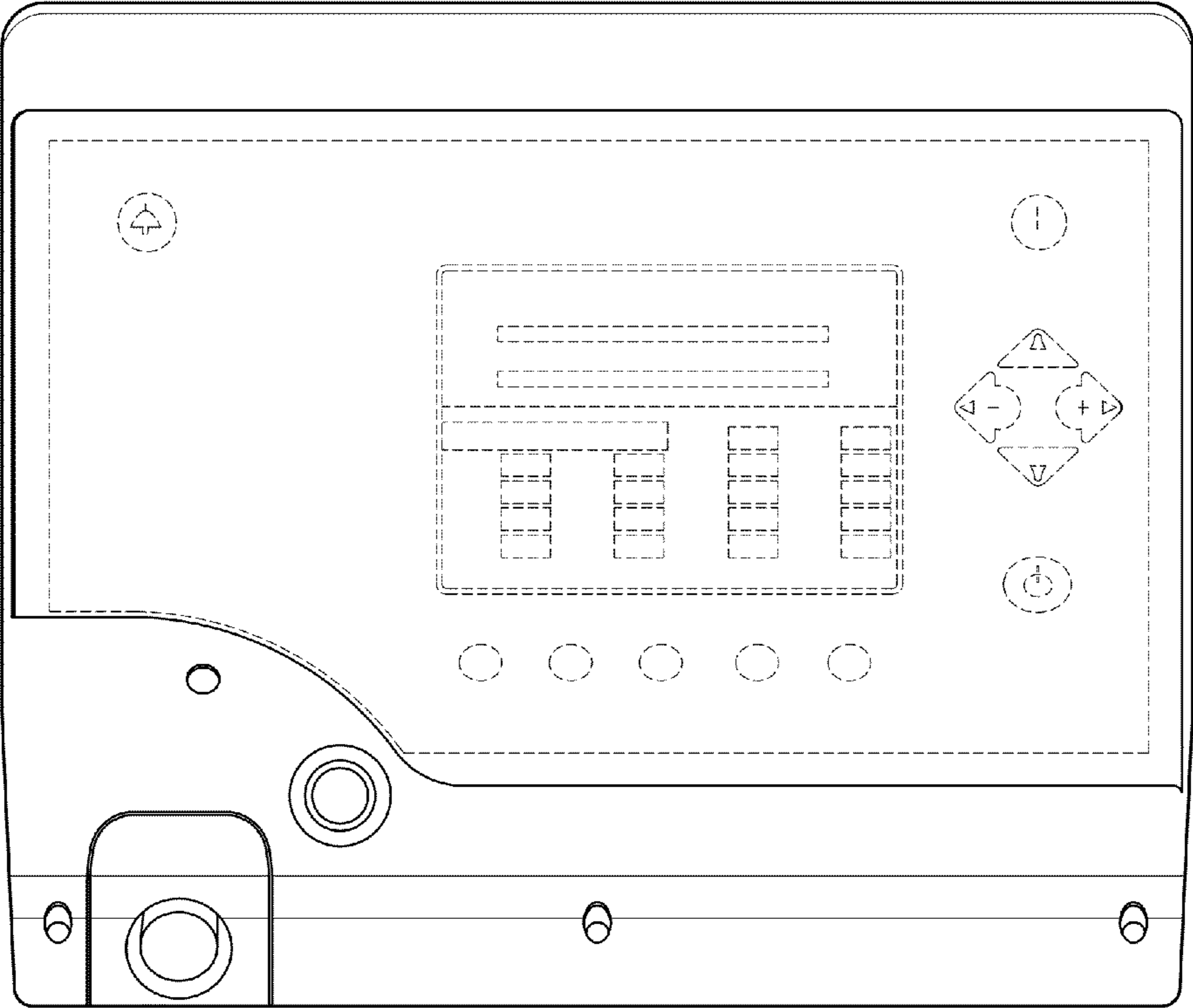


FIG. 5

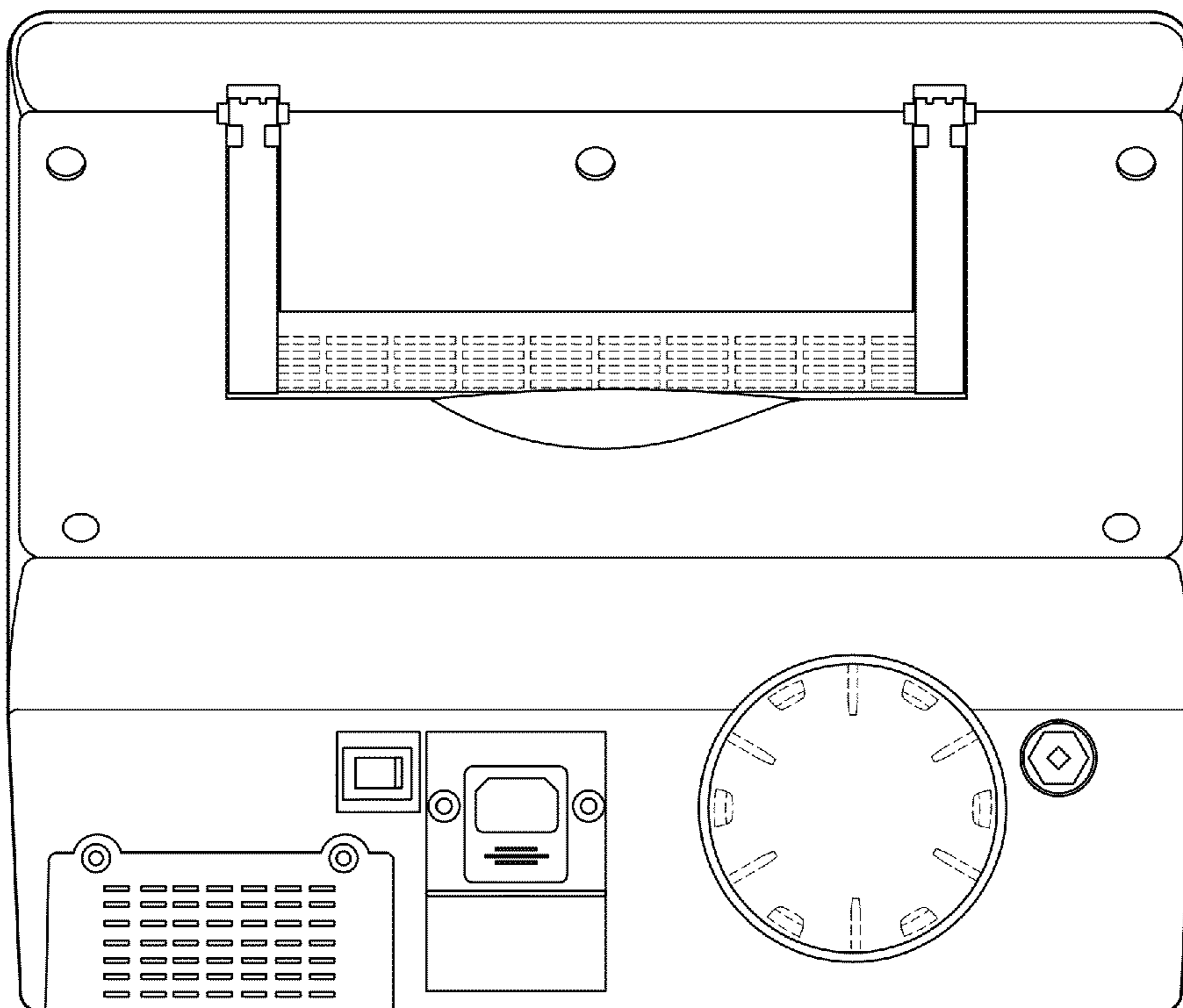


FIG. 6

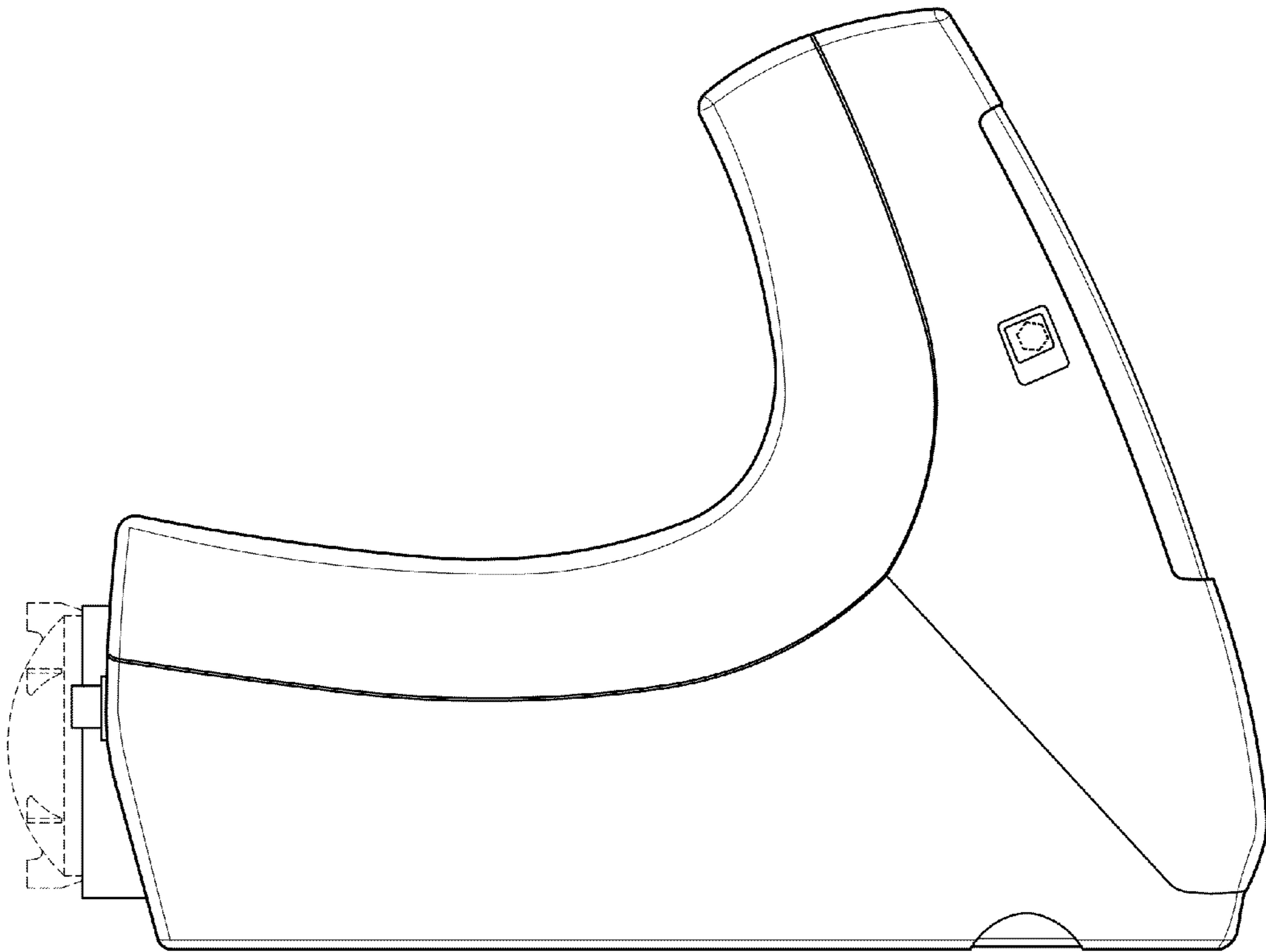


FIG. 7

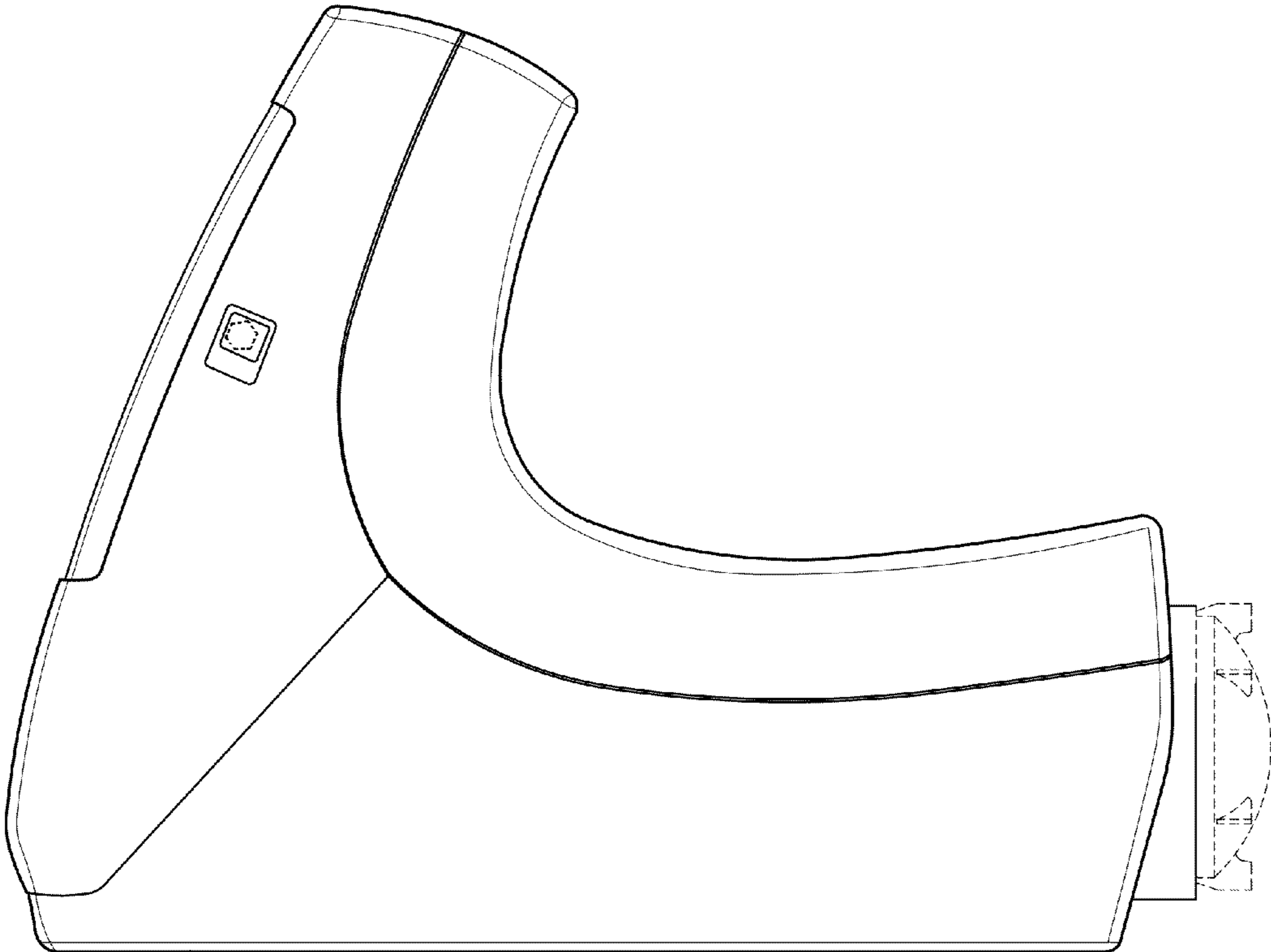


FIG. 8

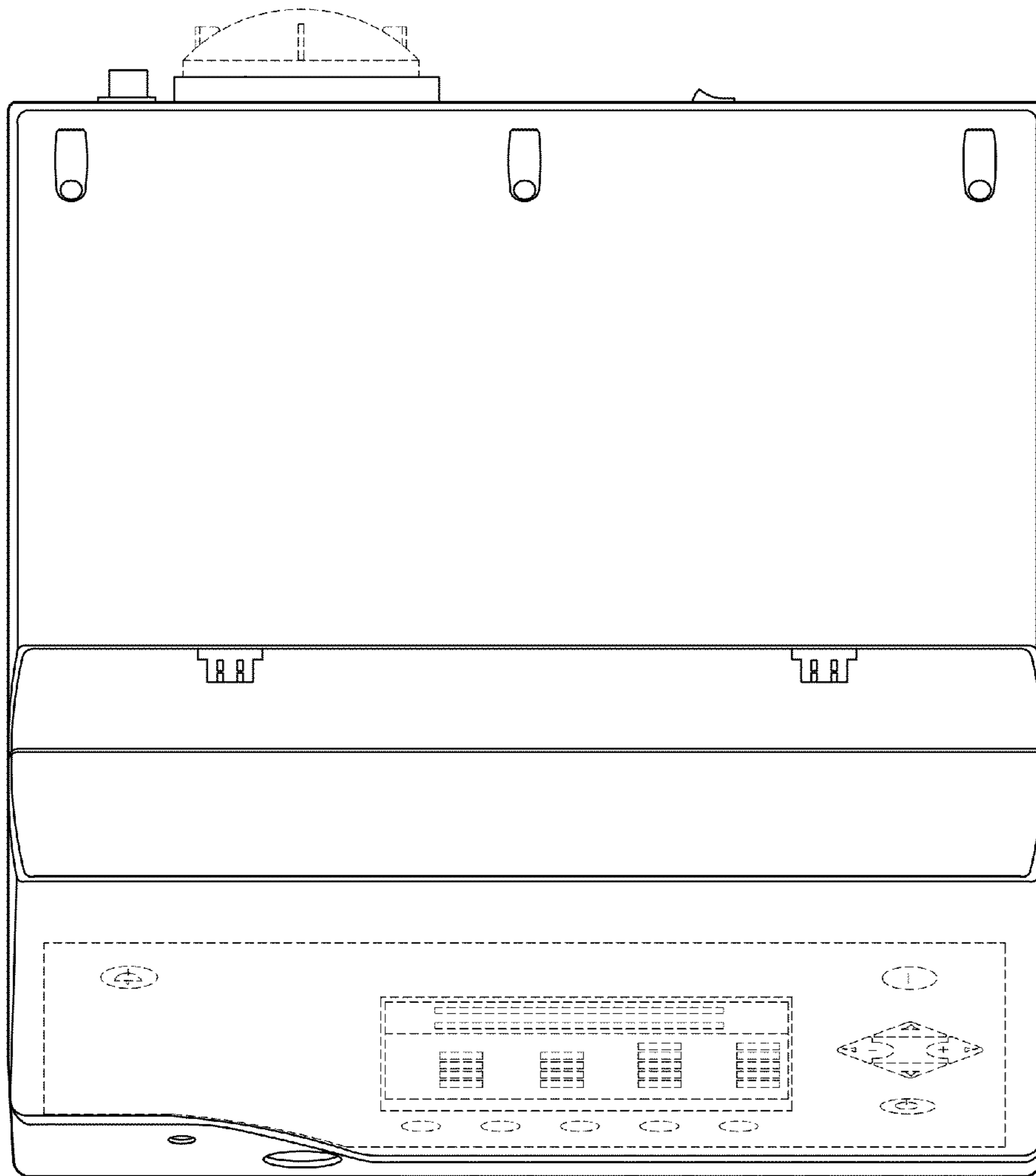


FIG. 9

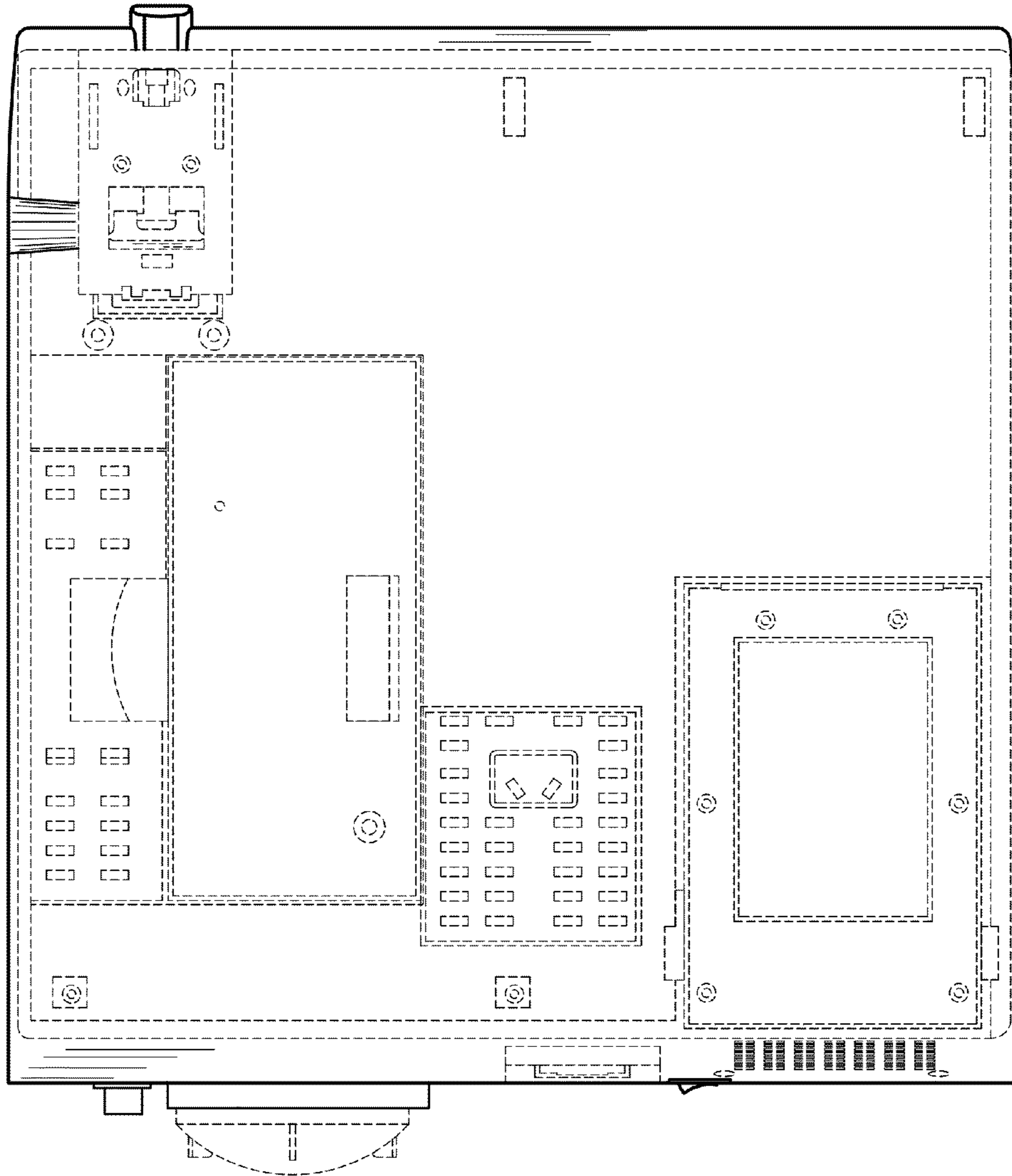


FIG. 10