



US00D699355S

(12) **United States Design Patent**
Chung et al.

(10) **Patent No.:** **US D699,355 S**
(45) **Date of Patent:** **** Feb. 11, 2014**

(54) **COMPARTMENT OF ULTRASONIC
DIAGNOSTIC EQUIPMENT**

D648,855 S * 11/2011 Smith et al. D24/158
D658,767 S * 5/2012 Becker et al. D24/186
D687,148 S * 7/2013 Knieriem et al. D24/185
D687,149 S * 7/2013 Chang D24/185

(75) Inventors: **Yeon-Moo Chung**, Seoul (KR); **Jun-Pil Moon**, Seoul (KR)

* cited by examiner

(73) Assignee: **Samsung Electronics Co., Ltd.**,
Suwon-si (KR)

Primary Examiner — Anhdao Doan
(74) *Attorney, Agent, or Firm* — Jefferson IP Law, LLP

(**) Term: **14 Years**

(21) Appl. No.: **29/431,396**

(22) Filed: **Sep. 6, 2012**

(30) **Foreign Application Priority Data**

Jun. 26, 2012 (KR) 30-2012-0031067

(51) **LOC (10) Cl.** **24-01**

(52) **U.S. Cl.**
USPC **D24/158**

(58) **Field of Classification Search**
USPC D24/158-161, 185, 186; 606/32-34;
600/1-3, 104, 437, 443, 459; 312/209,
312/223.1, 223.2, 249.12; 248/47.34, 282.1
See application file for complete search history.

(56) **References Cited**

U.S. PATENT DOCUMENTS

D559,390 S * 1/2008 Diener et al. D24/186

(57) **CLAIM**

The ornamental design for a compartment of ultrasonic diagnostic equipment, as shown and described.

DESCRIPTION

FIG. 1 is a perspective view of compartment of ultrasonic diagnostic equipment, showing a new design; FIG. 2 is a front elevational view thereof; FIG. 3 is a rear elevational view thereof; FIG. 4 is a left side elevational view thereof; FIG. 5 is a right side elevational view thereof; FIG. 6 is a top plan view thereof; FIG. 7 is a bottom plan view thereof; and, FIG. 8 is a cross-sectional view taken along line 8-8' of FIG. 6.

The broken lines are included for the purpose of illustrating portions of the compartment of ultrasonic diagnostic equipment that form no part of the claimed design.

1 Claim, 8 Drawing Sheets

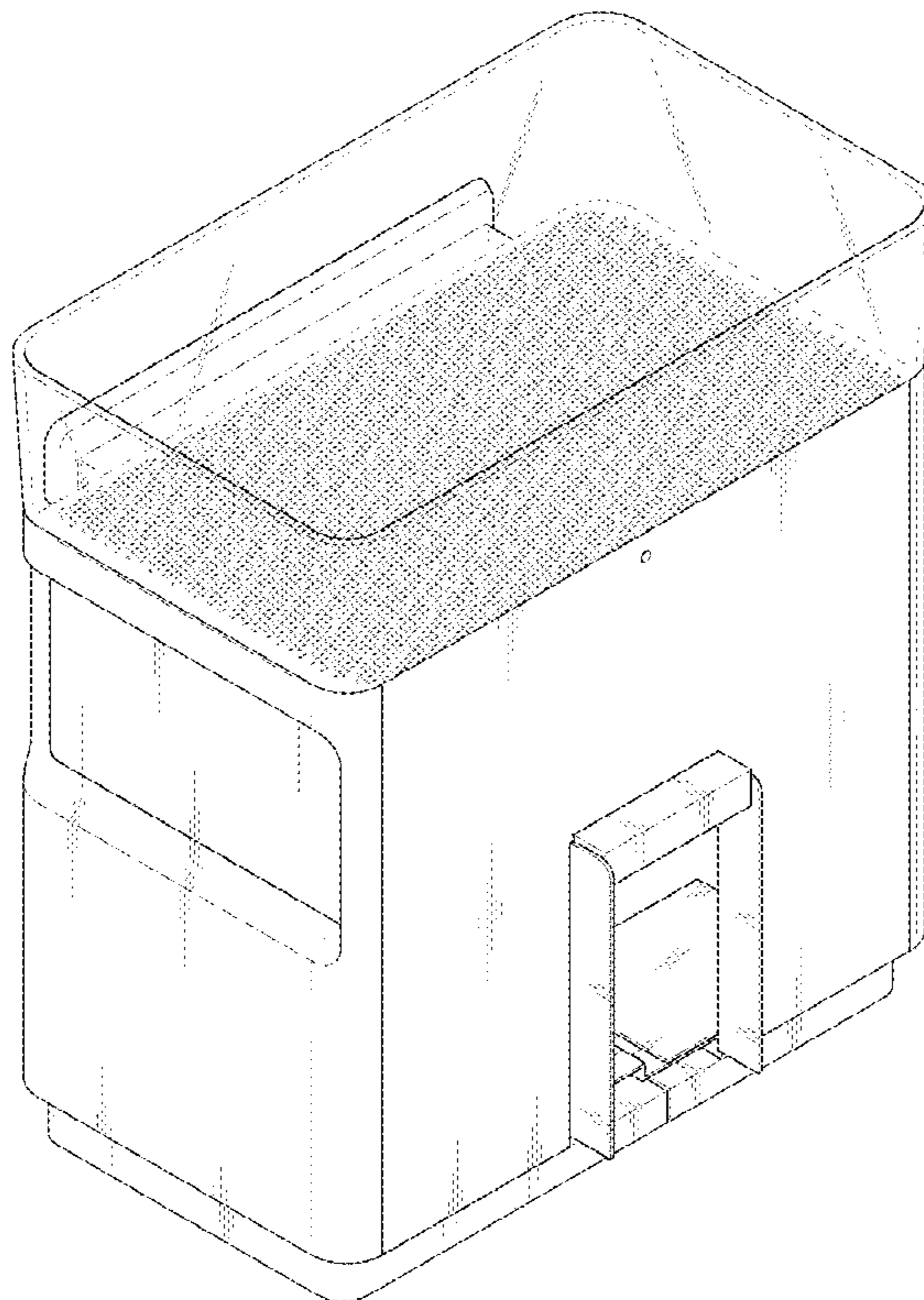


FIG. 1

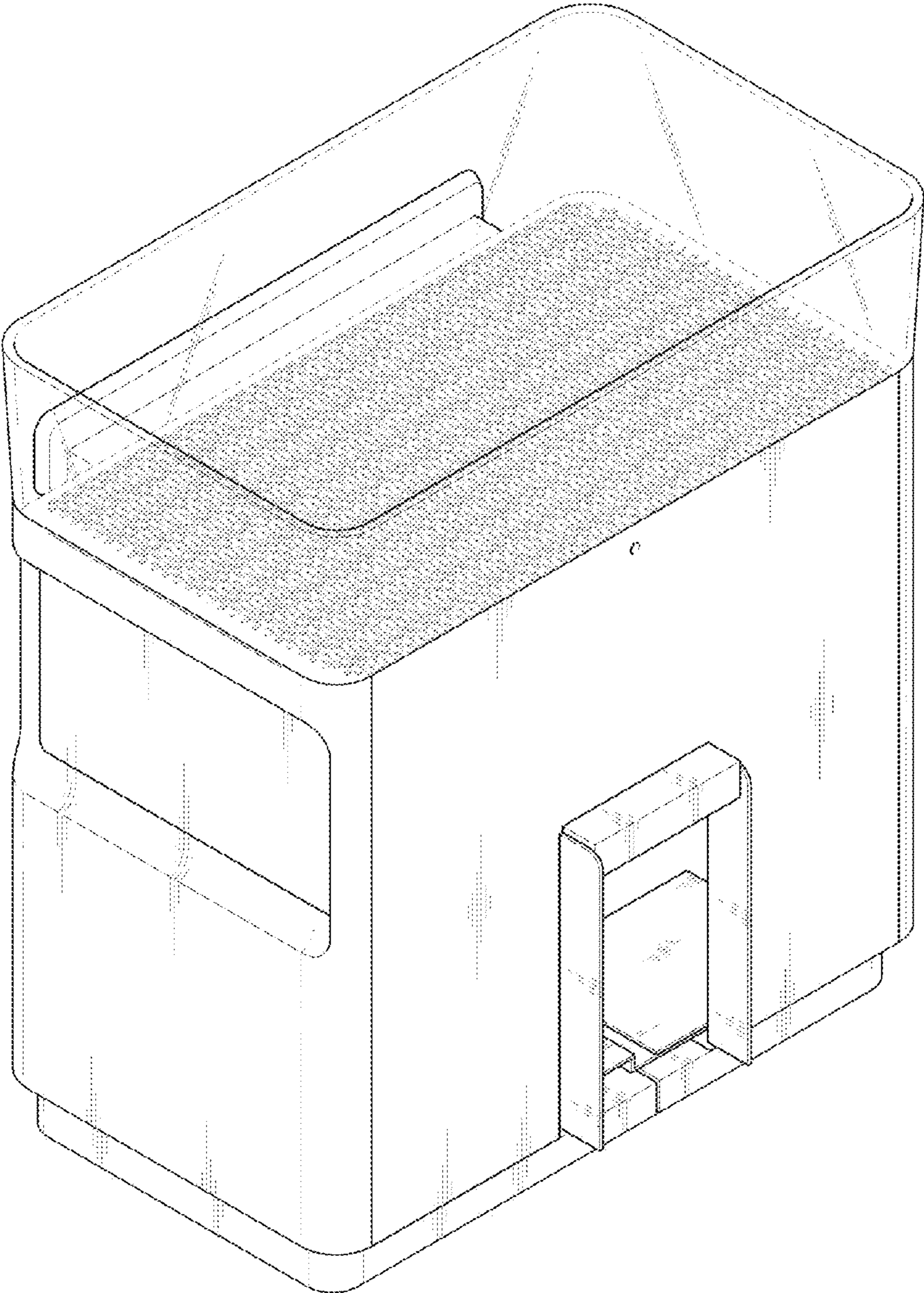


FIG. 2

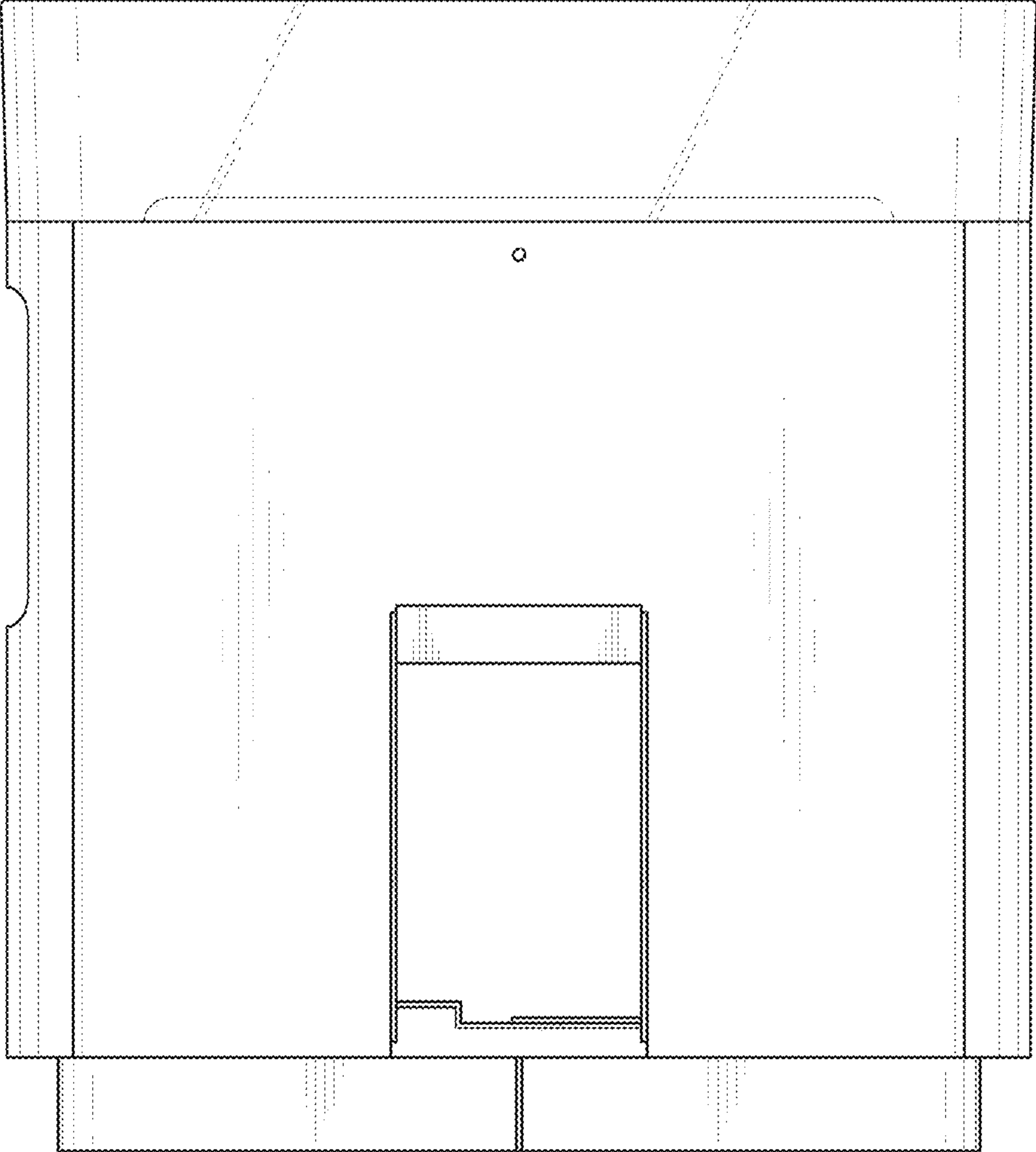


FIG. 3

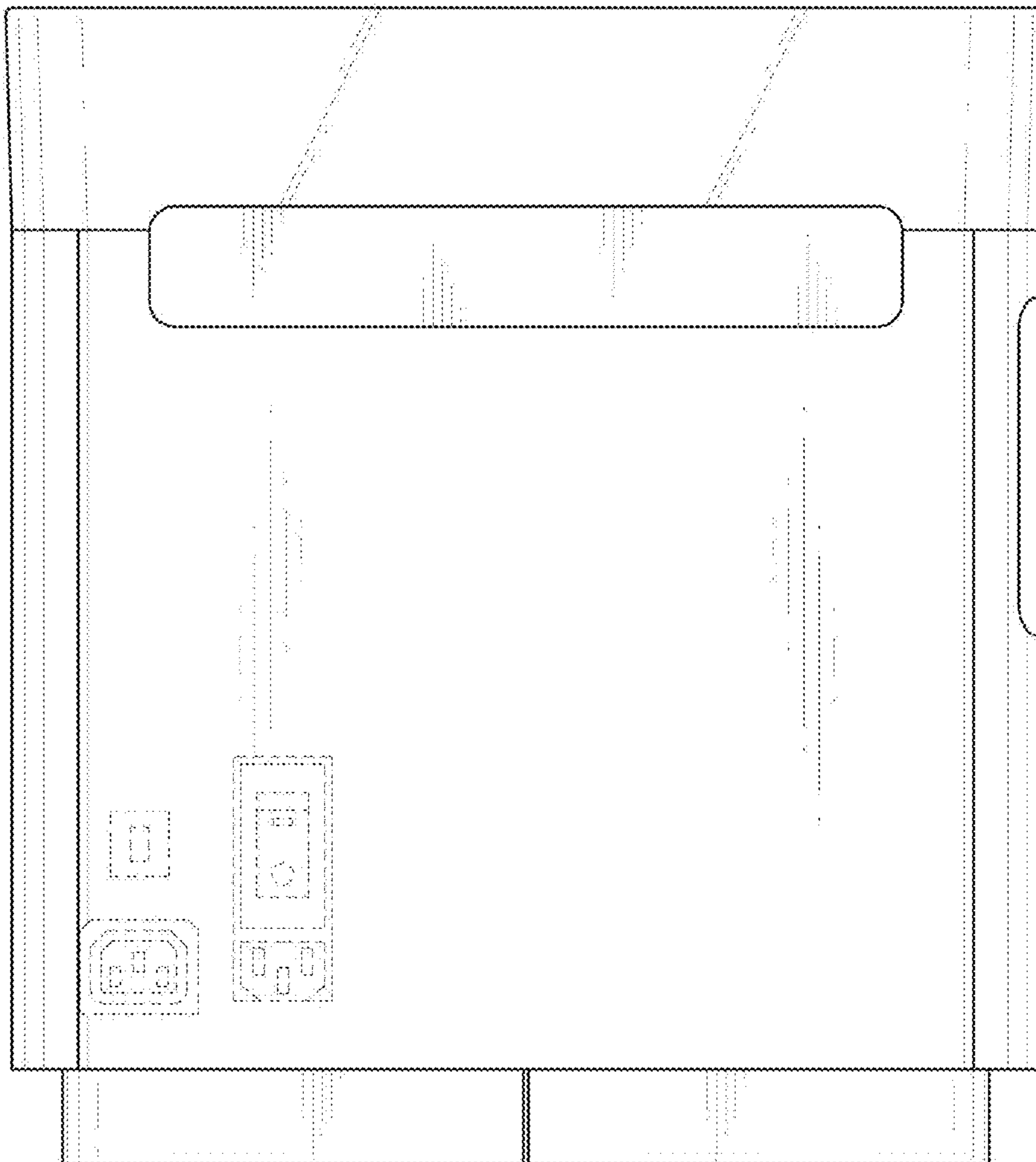


FIG. 4

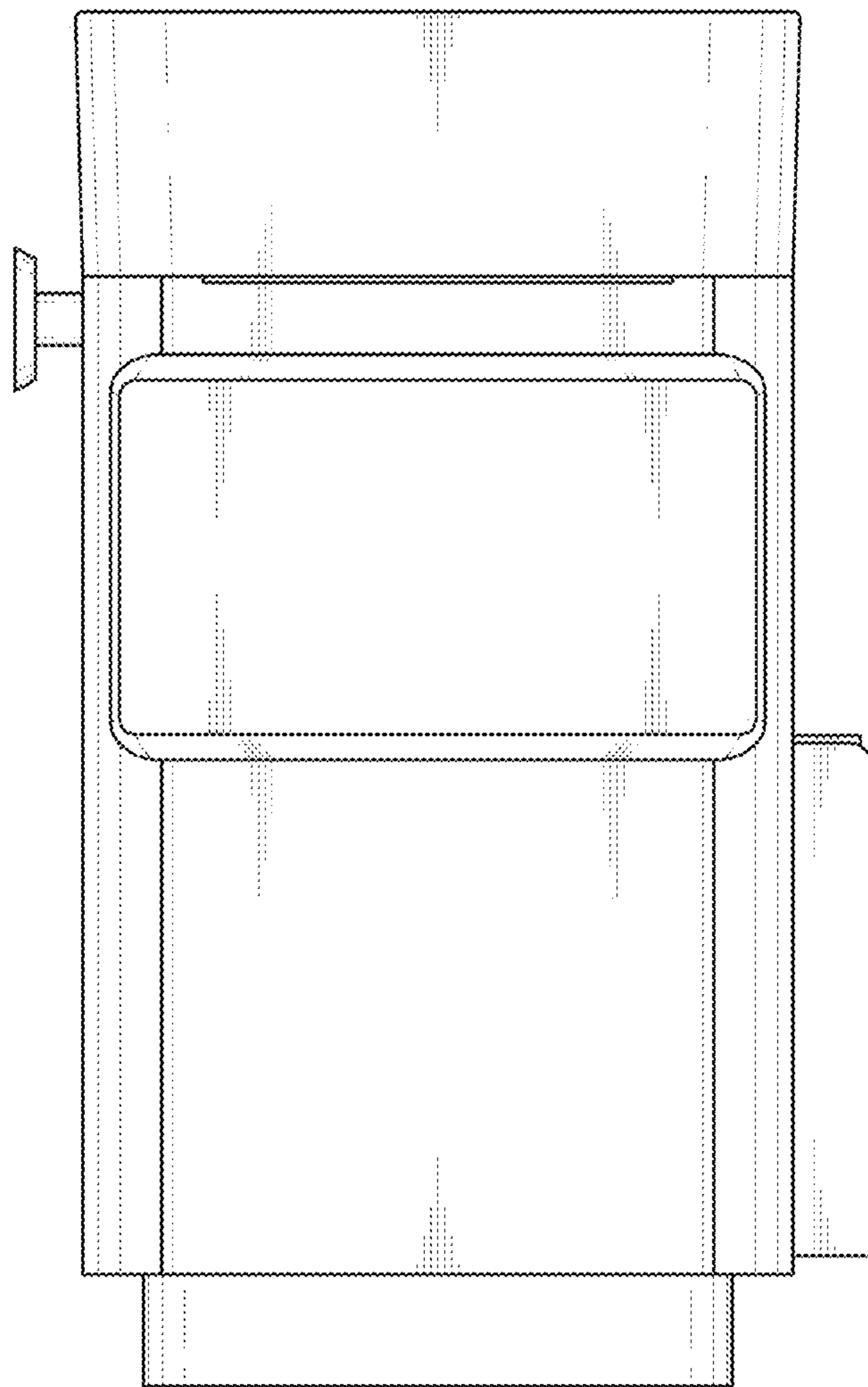


FIG. 5

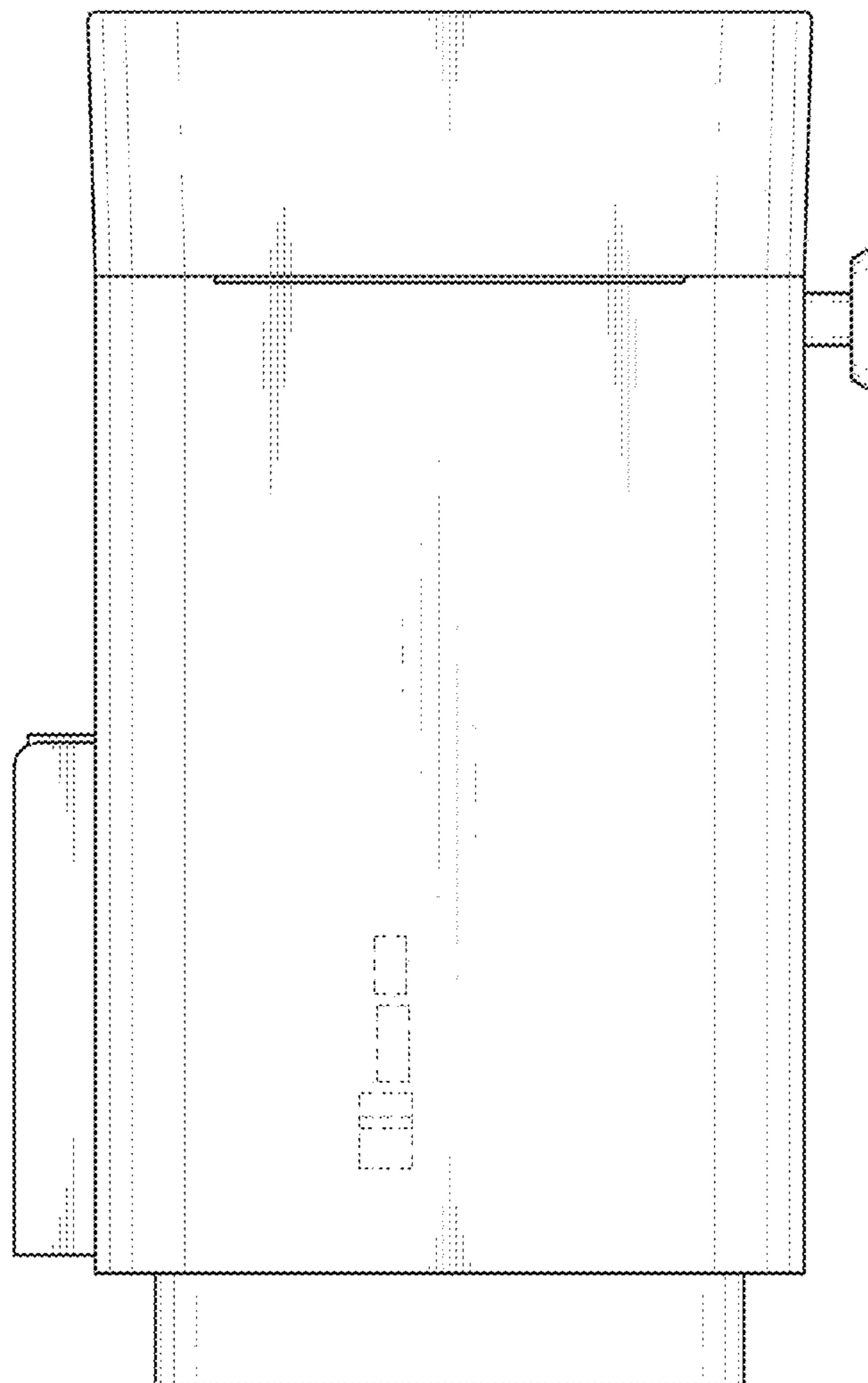


FIG. 6

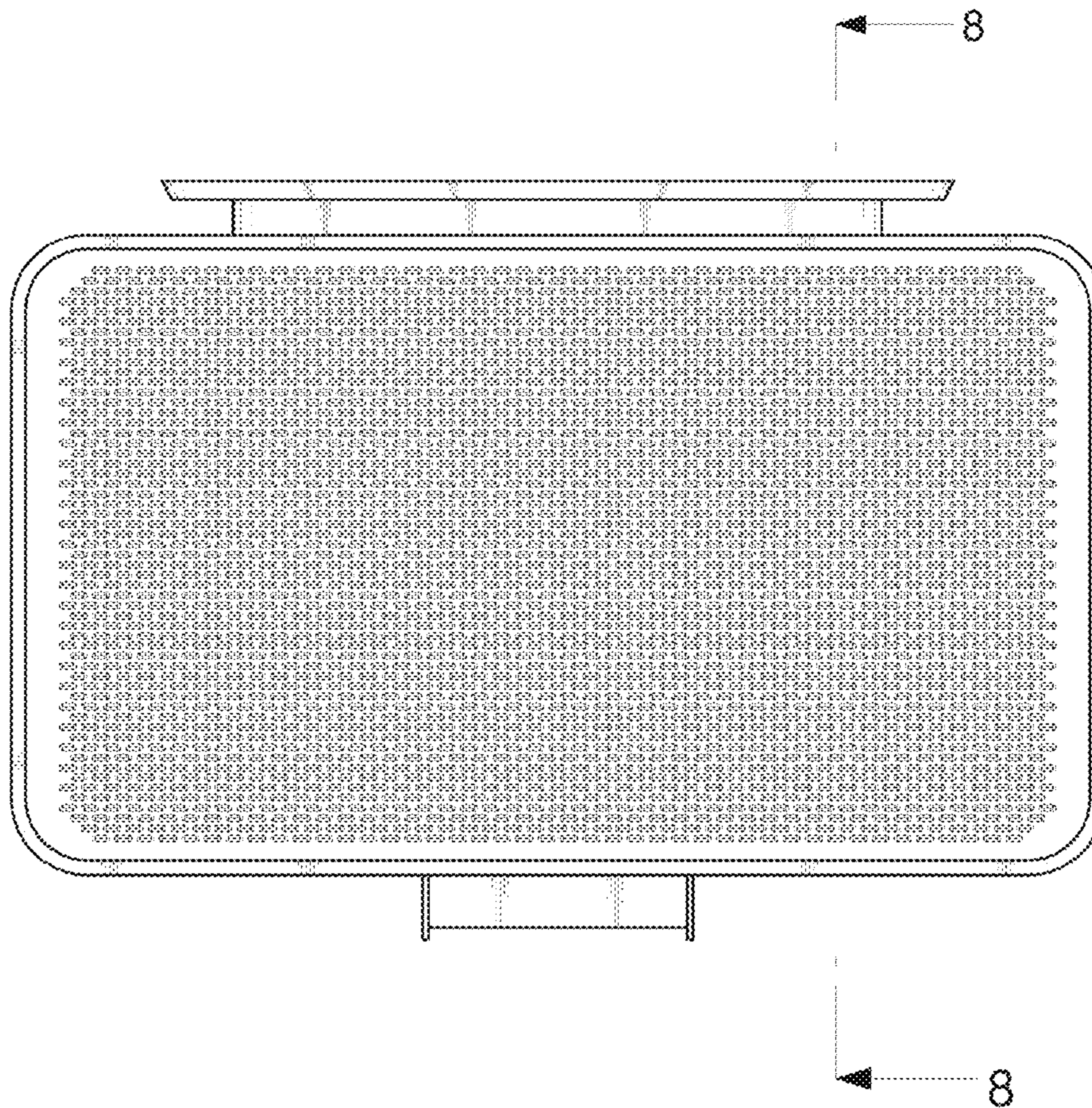


FIG. 7

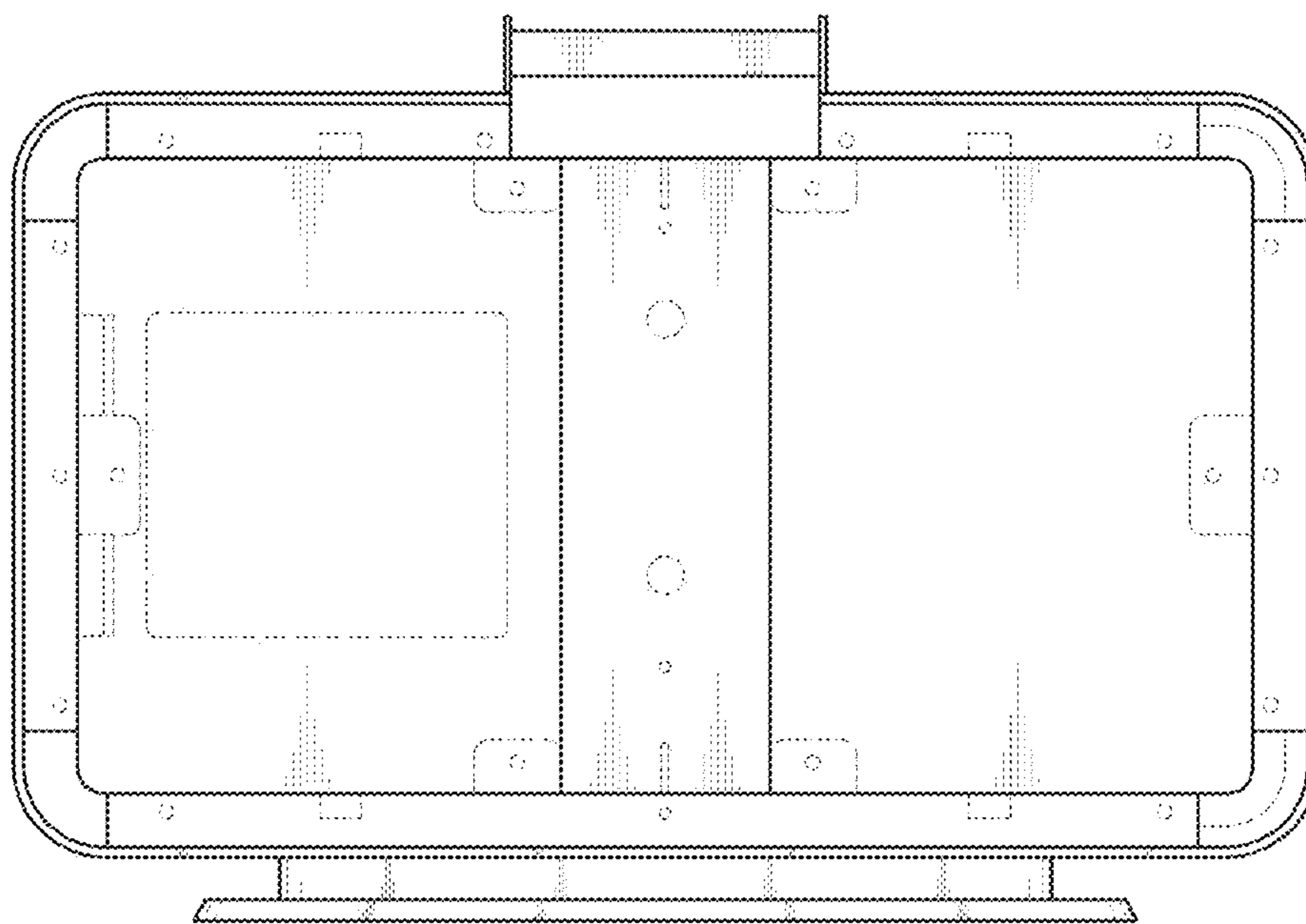


FIG. 8

