



US00D699354S

(12) **United States Design Patent**  
**Chung et al.**

(10) **Patent No.:** **US D699,354 S**  
(45) **Date of Patent:** **\*\* Feb. 11, 2014**

(54) **BODY OF ULTRASONIC DIAGNOSTIC EQUIPMENT**

(75) Inventors: **Yeon-Moo Chung**, Seoul (KR); **Jun-Pil Moon**, Seoul (KR)

(73) Assignee: **Samsung Electronics Co., Ltd.**, Suwon-si (KR)

(\*\*) Term: **14 Years**

(21) Appl. No.: **29/431,333**

(22) Filed: **Sep. 6, 2012**

(30) **Foreign Application Priority Data**

Jun. 26, 2012 (KR) ..... 30-2012-0031069

(51) **LOC (10) Cl.** ..... **24-01**

(52) **U.S. Cl.**  
USPC ..... **D24/158**

(58) **Field of Classification Search**

USPC ..... D24/158-161, 185, 186; 606/32-34; 600/1-3, 104, 437, 443, 459; 312/209, 312/223.1, 223.2, 249.12; 248/47.34, 282.1  
See application file for complete search history.

(56) **References Cited**

**U.S. PATENT DOCUMENTS**

D454,954 S \* 3/2002 Cannon et al. .... D24/160  
D552,741 S \* 10/2007 Zhou et al. .... D24/186

D558,351 S \* 12/2007 Diener et al. .... D24/186  
D562,456 S \* 2/2008 Scruggs et al. .... D24/160  
D613,411 S \* 4/2010 Collins et al. .... D24/186  
D650,484 S \* 12/2011 Shinohara et al. .... D24/186  
D653,348 S \* 1/2012 Barker et al. .... D24/186  
2009/0088645 A1\* 4/2009 Shin et al. .... 600/459

\* cited by examiner

*Primary Examiner* — Anhdao Doan

(74) *Attorney, Agent, or Firm* — Jefferson IP Law, LLP

(57) **CLAIM**

The ornamental design for a body of ultrasonic diagnostic equipment, as shown and described.

**DESCRIPTION**

FIG. 1 is a perspective view of body of ultrasonic diagnostic equipment, showing a new design; FIG. 2 is a front elevational view thereof; FIG. 3 is a rear elevational view thereof; FIG. 4 is a left side elevational view thereof; FIG. 5 is a right side elevational view thereof; FIG. 6 is a top plan view thereof; and FIG. 7 is a bottom plan view thereof; and FIG. 8 is a left side view thereof, showing the body of ultrasonic diagnostic equipment in an environment in which it may be used. The broken lines represent the environmental subject matter and form no part of the claimed design. The broken lines are included for the purpose of illustrating portions of the body of ultrasonic diagnostic equipment that form no part of the claimed design.

**1 Claim, 8 Drawing Sheets**

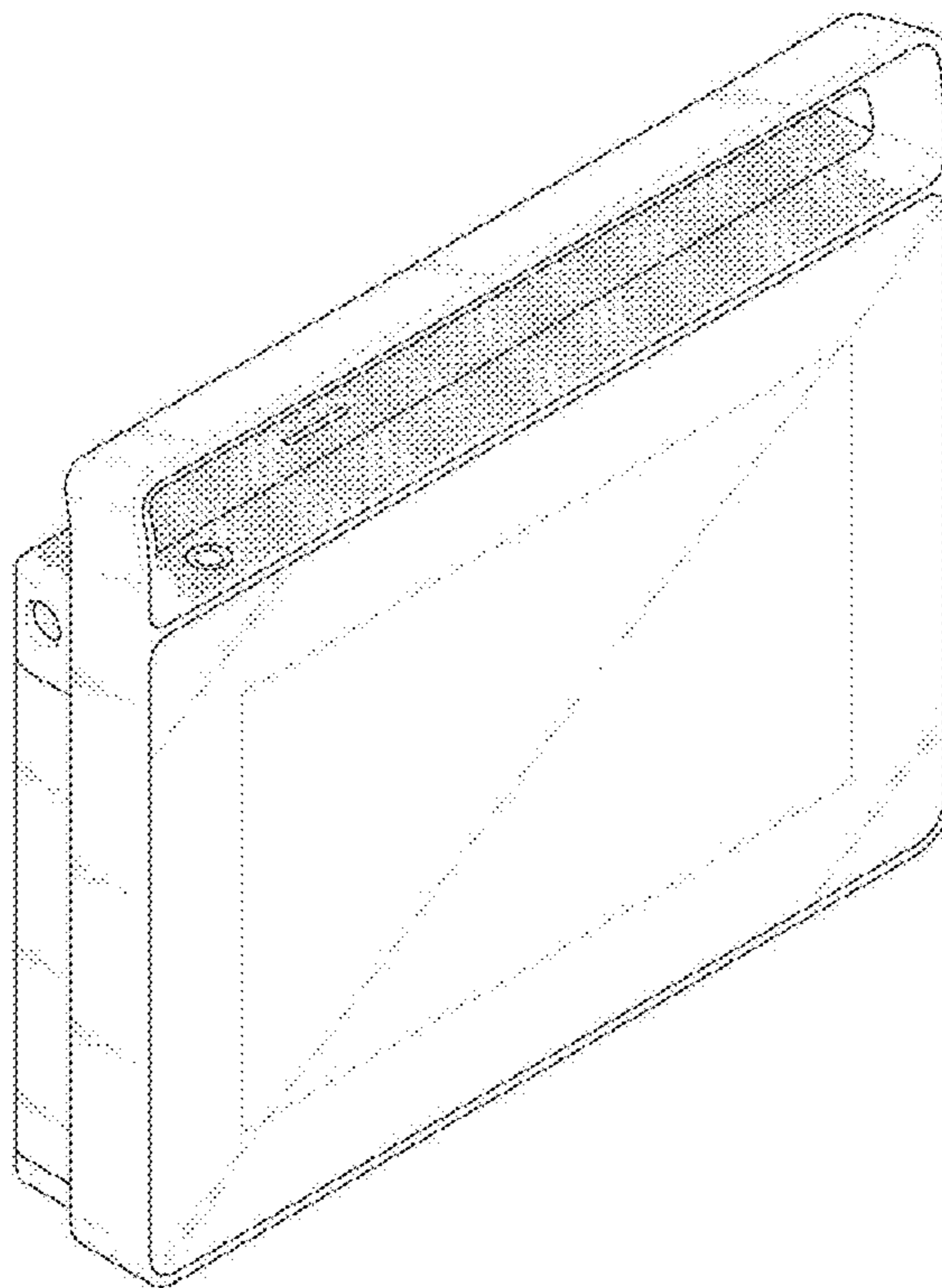


FIG. 1

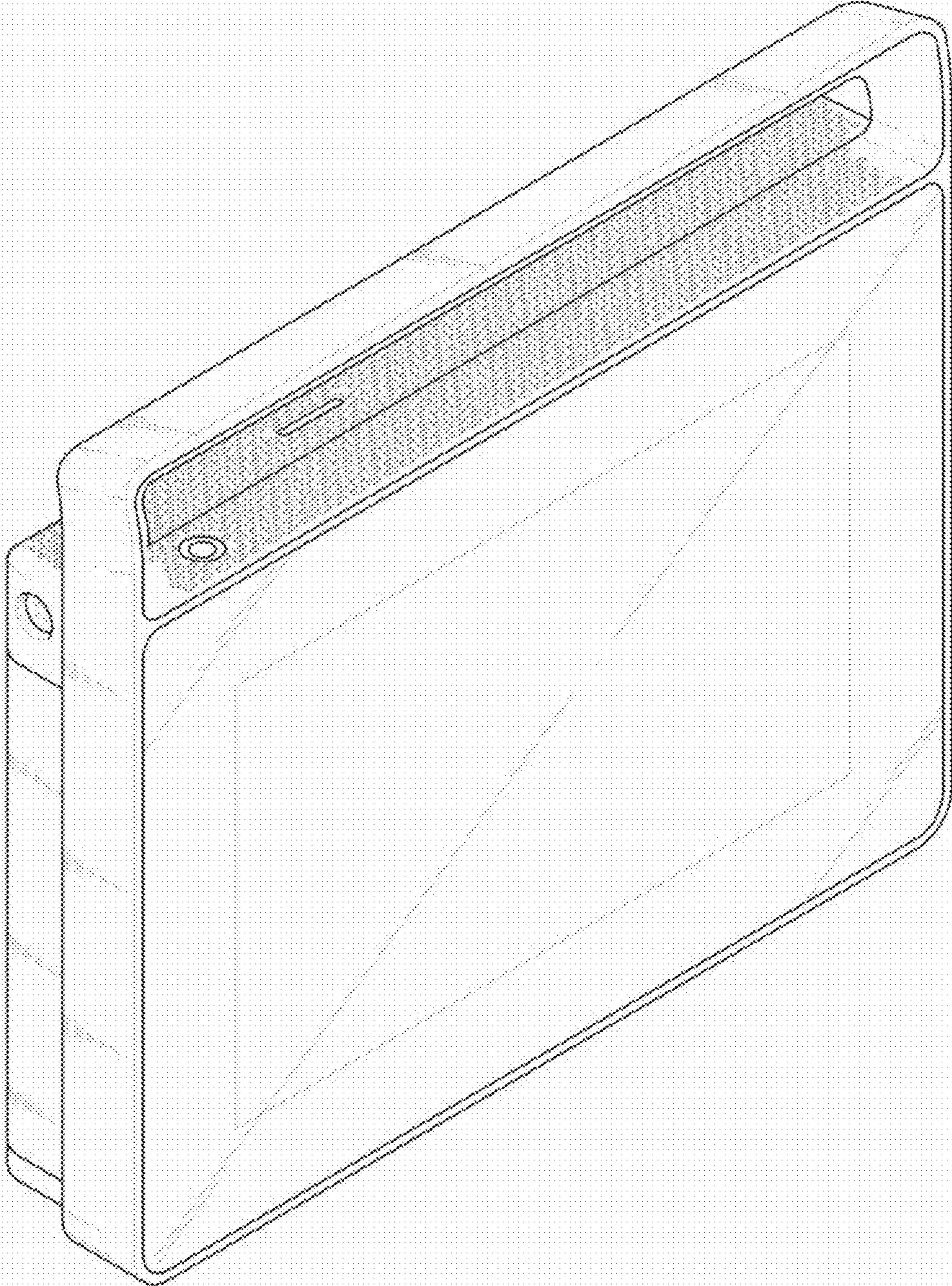


FIG. 2

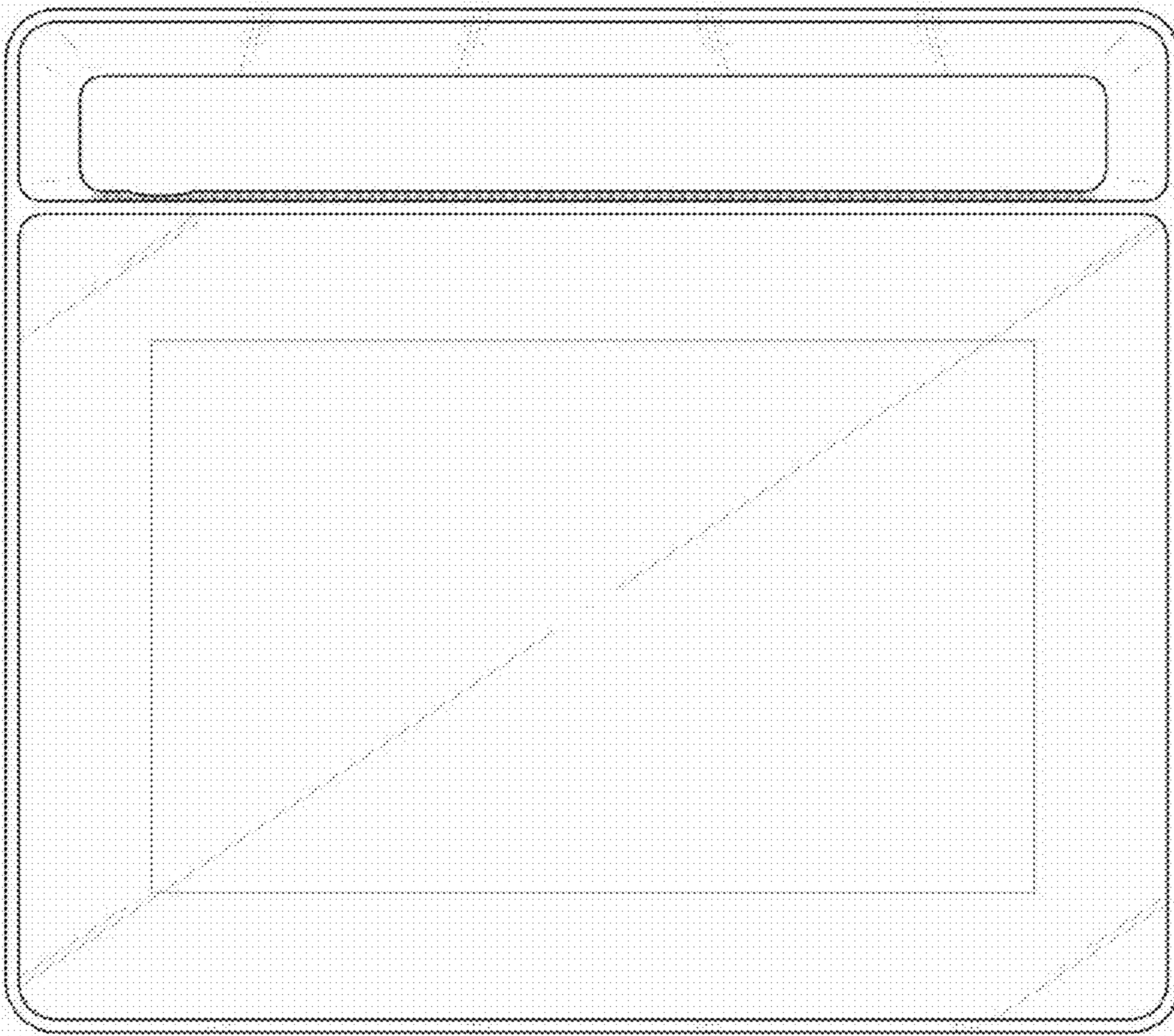


FIG. 3

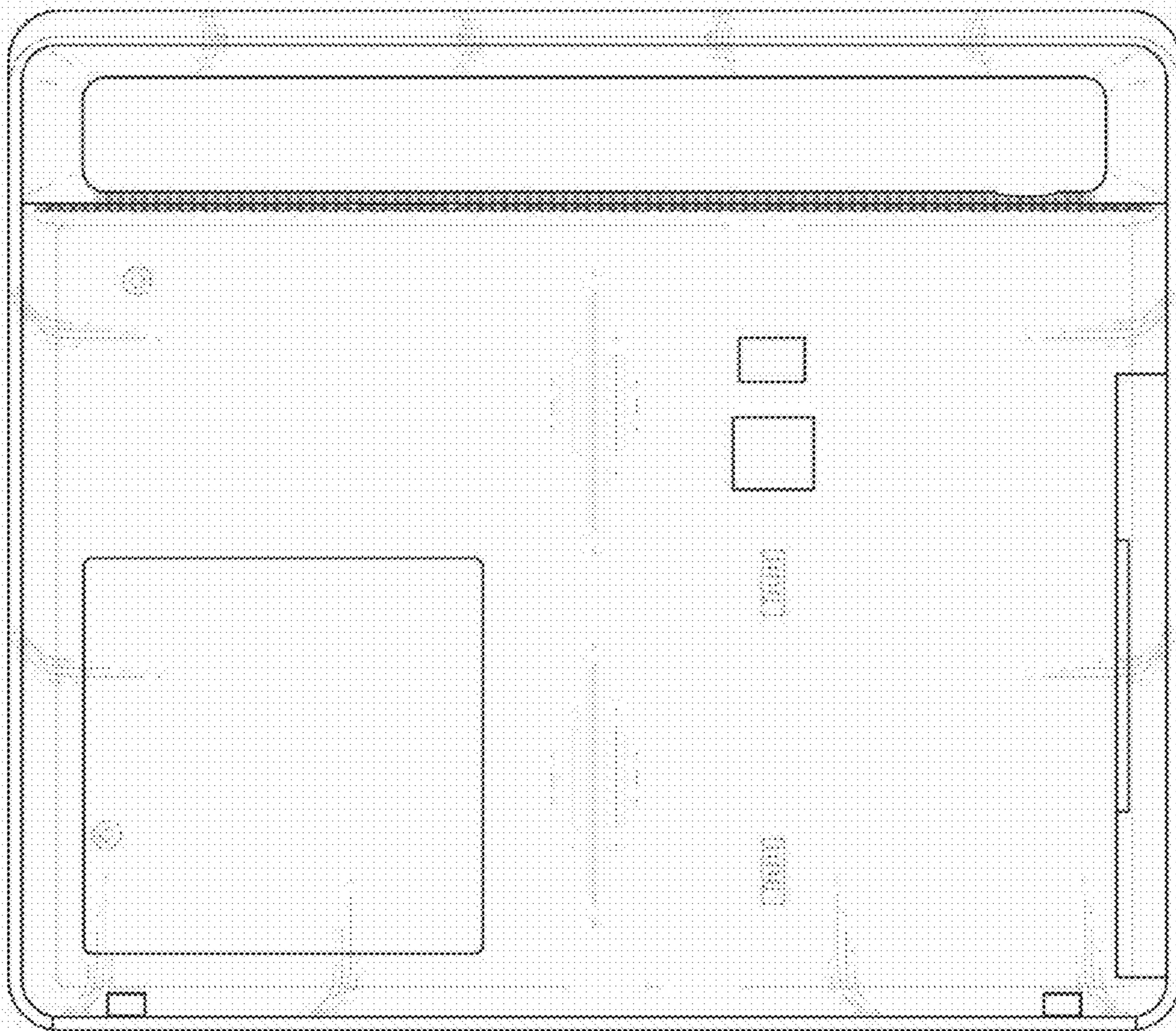


FIG. 4

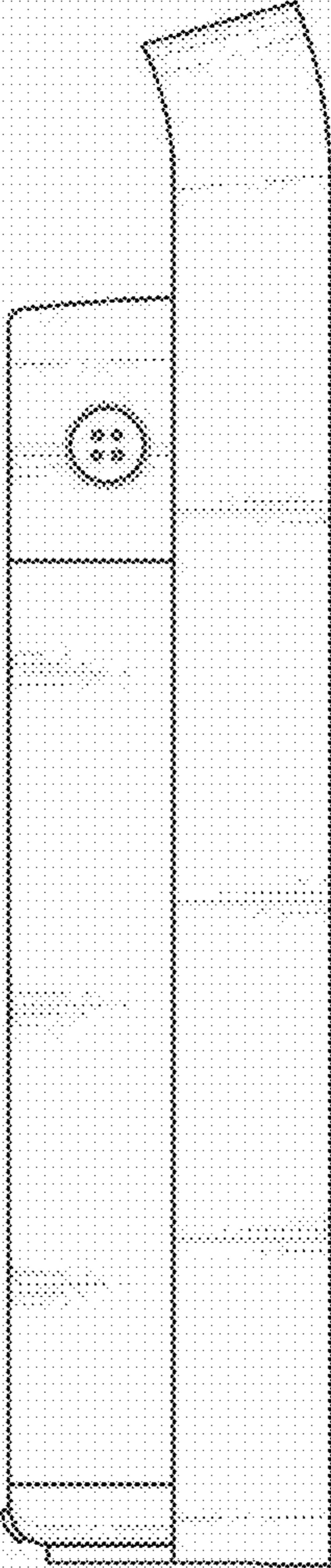


FIG. 5

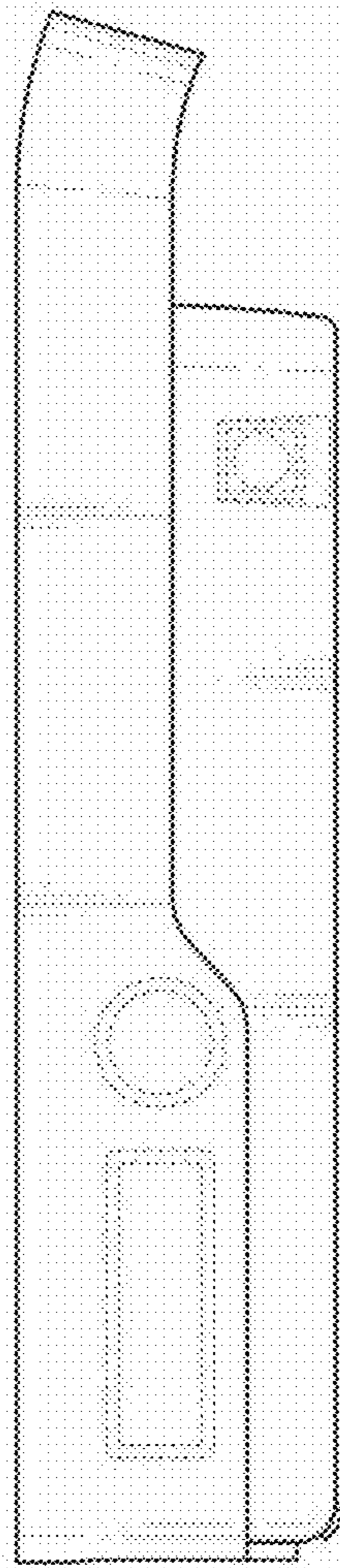


FIG. 6

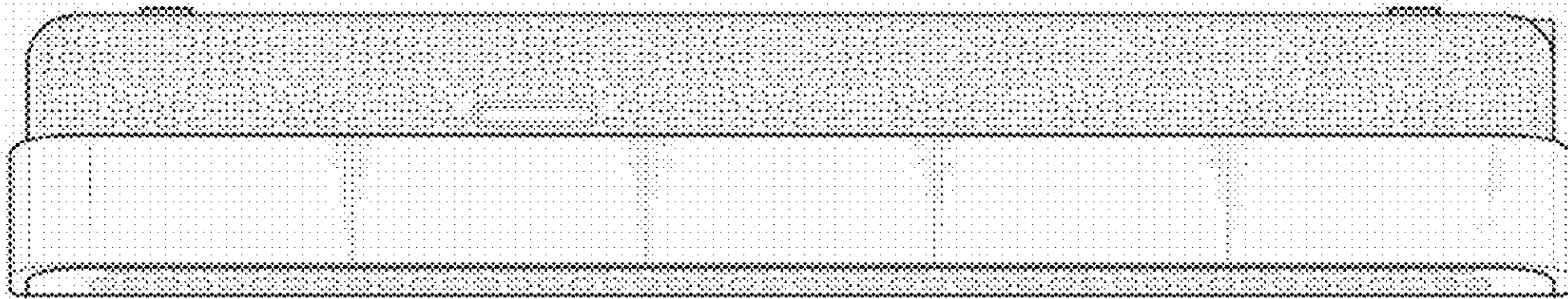


FIG. 7

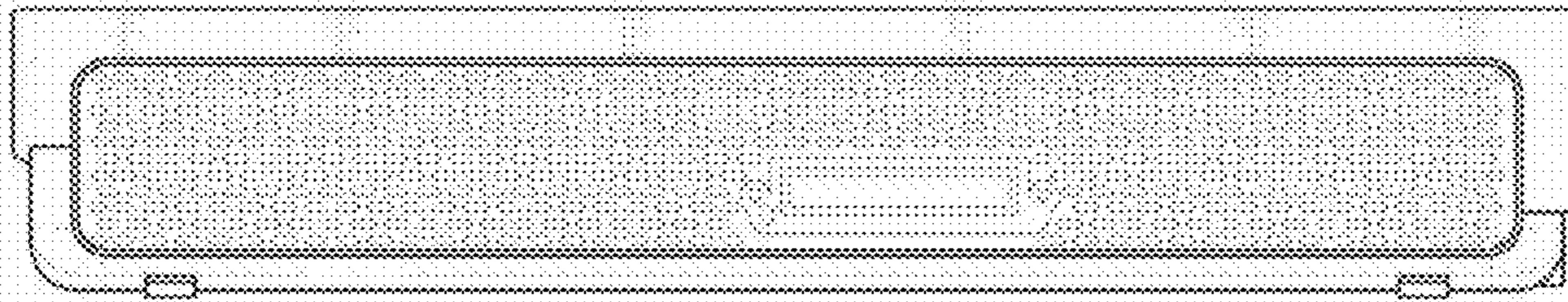




FIG. 8

