



US00D699348S

(12) **United States Design Patent**
Morejon

(10) **Patent No.:** **US D699,348 S**
(45) **Date of Patent:** **** Feb. 11, 2014**

(54) **HANDLE**

(76) Inventor: **Orlando Morejon**, Key Largo, FL (US)

(**) Term: **14 Years**

(21) Appl. No.: **29/387,261**

(22) Filed: **Mar. 10, 2011**

Related U.S. Application Data

(63) Continuation-in-part of application No. 29/348,665, filed on Jan. 27, 2010, now Pat. No. Des. 634,424.

(51) **LOC (10) Cl.** **24-02**

(52) **U.S. Cl.**
USPC **D24/147**

(58) **Field of Classification Search**
USPC D24/146, 147, 133, 135, 137, 111-113;
606/161, 160, 79, 84, 85
See application file for complete search history.

(56) **References Cited**

U.S. PATENT DOCUMENTS

1,567,500	A	12/1925	Hein	
1,837,067	A *	12/1931	Reiter	606/84
2,910,981	A	11/1959	Wilson et al.	
3,064,294	A	11/1962	Stocking	
3,173,418	A	3/1965	Baran	
3,398,417	A	8/1968	Erwin	
3,508,554	A	4/1970	Sheridan	
3,610,247	A	10/1971	Jackson	
3,638,655	A	2/1972	Doherty	
3,769,983	A	11/1973	Merav	
D229,518	S *	12/1973	Bujan	D24/114
3,810,474	A	5/1974	Cross	
D233,264	S *	10/1974	Reiter	D24/112
3,991,762	A	11/1976	Radford	
3,995,643	A	12/1976	Merav	
4,018,231	A	4/1977	Wallace	
4,021,265	A	5/1977	Guenther	

4,327,723	A	5/1982	Frankhouser	
4,417,576	A	11/1983	Baran	
4,423,725	A	1/1984	Baran et al.	
4,445,893	A *	5/1984	Bodicky	604/165.04
4,515,592	A	5/1985	Frankhouser	
4,569,344	A	2/1986	Palmer	
4,573,976	A *	3/1986	Sampson et al.	604/198
4,637,814	A	1/1987	Leiboff	
4,638,539	A	1/1987	Palmer	
4,649,913	A	3/1987	Watson	
4,693,243	A	9/1987	Buras	
4,696,296	A	9/1987	Palmer	
4,723,549	A	2/1988	Wholey et al.	
4,762,125	A	8/1988	Leiman et al.	
4,787,659	A	11/1988	Durham	

(Continued)

FOREIGN PATENT DOCUMENTS

CN	1191794	3/2005
EP	0330376 A2	8/1989

(Continued)

Primary Examiner — Ian Simmons

Assistant Examiner — Carissa C Fitts

(74) *Attorney, Agent, or Firm* — Malloy & Malloy, P.L.

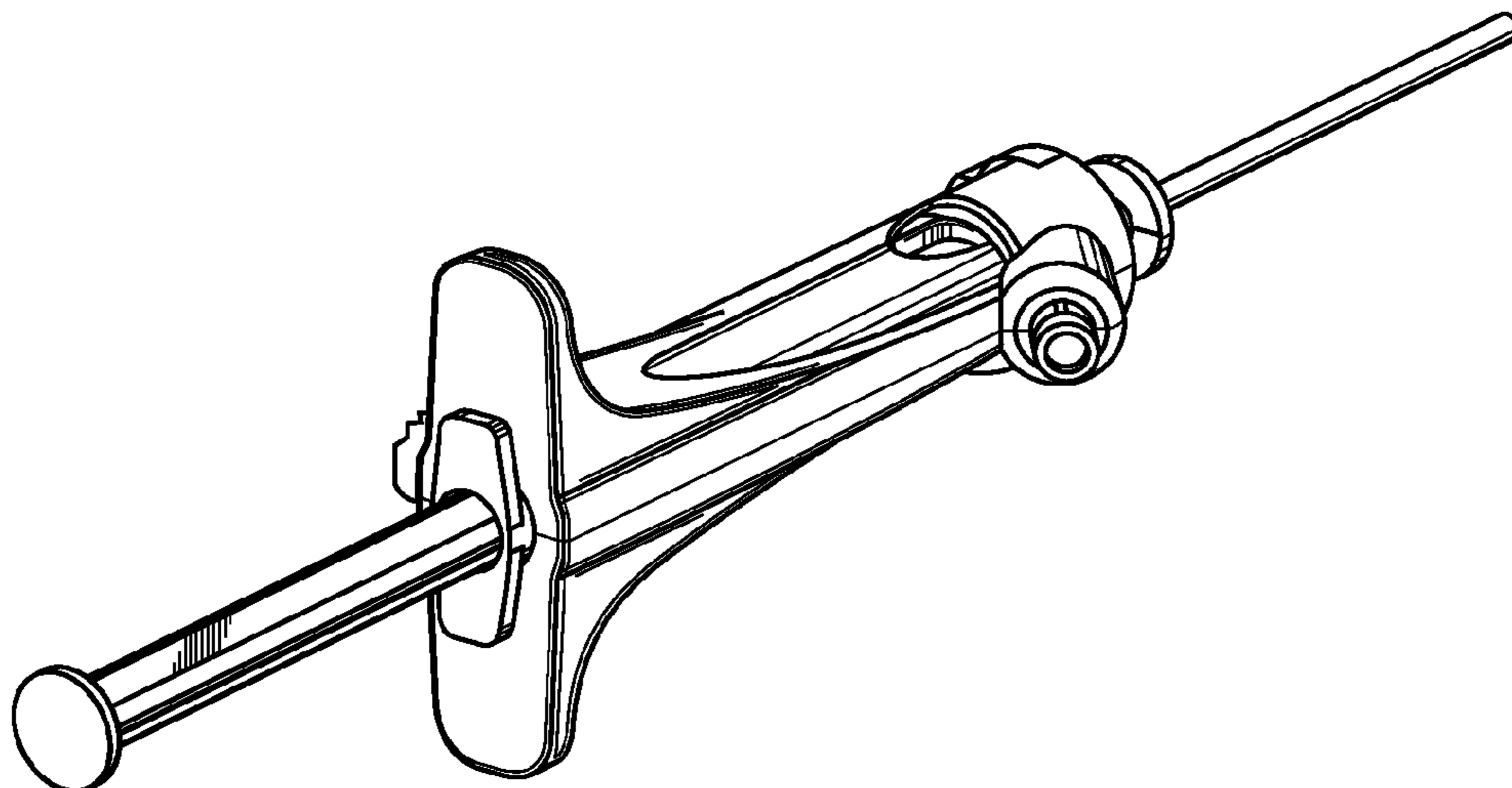
(57) **CLAIM**

The ornamental design for a handle, as shown and described.

DESCRIPTION

FIG. 1 is a bottom perspective view illustrating my design for a handle;
FIG. 2 is a top perspective view thereof;
FIG. 3 is a top elevational view thereof;
FIG. 4 is a right side view thereof;
FIG. 5 is a bottom elevational view thereof;
FIG. 6 is a left side view thereof;
FIG. 7 is a rear view thereof; and,
FIG. 8 is a front view thereof.

1 Claim, 3 Drawing Sheets



(56)

References Cited

U.S. PATENT DOCUMENTS

4,825,859 A 5/1989 Lambert
 4,836,199 A 6/1989 Palmer
 4,872,579 A 10/1989 Palmer
 4,892,095 A 1/1990 Nakhgevany
 4,938,741 A 7/1990 Lambert
 4,981,470 A 1/1991 Bombeck, IV
 5,002,557 A 3/1991 Hasson
 5,003,657 A 4/1991 Boiteau et al.
 5,030,213 A 7/1991 Rumberger et al.
 5,048,518 A 9/1991 Eliachar et al.
 5,049,131 A 9/1991 Deuss
 5,057,093 A 10/1991 Clegg et al.
 5,119,811 A 6/1992 Inglis et al.
 5,143,062 A 9/1992 Peckham
 5,146,916 A 9/1992 Catalani
 5,176,638 A 1/1993 Don Michael
 5,176,697 A 1/1993 Hasson et al.
 D333,003 S * 2/1993 Chettleburgh D24/146
 5,214,474 A 5/1993 Ishizuka
 D338,957 S * 8/1993 de Faire et al. D24/130
 5,259,371 A 11/1993 Tonrey
 5,259,377 A 11/1993 Schroeder
 5,269,759 A 12/1993 Hernandez et al.
 5,285,777 A 2/1994 Beckwith
 5,314,417 A 5/1994 Stephens et al.
 5,353,787 A 10/1994 Price
 5,386,741 A 2/1995 Rennex
 5,423,760 A 6/1995 Yoon
 5,437,645 A 8/1995 Urban et al.
 5,447,497 A 9/1995 Sogard et al.
 5,499,625 A 3/1996 Frass et al.
 5,522,831 A 6/1996 Sleister et al.
 D372,310 S * 7/1996 Hartnett D24/146
 5,538,509 A 7/1996 Dunlap et al.
 5,542,938 A 8/1996 Avellanet et al.
 5,620,456 A 4/1997 Sauer et al.
 5,642,726 A 7/1997 Owens et al.
 5,667,495 A * 9/1997 Bitdinger et al. 604/220
 D385,627 S 10/1997 Cook et al.
 5,674,209 A 10/1997 Yarger
 5,687,714 A 11/1997 Kolobow et al.
 5,700,247 A * 12/1997 Grimard et al. 604/220

5,709,691 A 1/1998 Morejon
 5,711,294 A 1/1998 Kee et al.
 5,713,869 A 2/1998 Morejon
 5,720,282 A 2/1998 Wright
 D395,501 S * 6/1998 Erskine et al. D24/112
 5,775,328 A 7/1998 Lowe et al.
 D399,558 S * 10/1998 Guala et al. D24/112
 5,843,115 A 12/1998 Morejon
 5,865,178 A 2/1999 Yock
 D417,733 S * 12/1999 Howell et al. D24/112
 6,082,361 A 7/2000 Morejon
 6,149,630 A * 11/2000 Robinson 604/198
 D449,379 S 10/2001 Fuhr
 6,318,368 B1 11/2001 Morejon
 6,468,279 B1 10/2002 Reo
 6,494,208 B1 12/2002 Morejon
 6,679,262 B1 1/2004 Morejon
 D492,032 S 6/2004 Muller et al.
 D492,775 S 7/2004 Doelling et al.
 6,763,831 B2 7/2004 Sniadach
 7,060,135 B2 6/2006 Morejon
 D569,515 S 5/2008 DeLonzor et al.
 D578,210 S * 10/2008 Muta et al. D24/114
 7,513,901 B2 4/2009 Scifert et al.
 7,669,600 B2 3/2010 Morejon
 D615,197 S 5/2010 Koh et al.
 D634,424 S 3/2011 Morejon
 D674,086 S * 1/2013 Khalaj D24/114
 2005/0039754 A1 2/2005 Simon
 2006/0130847 A1 6/2006 Morejon
 2010/0186748 A1 7/2010 Morejon
 2010/0199448 A1 8/2010 Vazales et al.
 2011/0180072 A1 7/2011 Morejon
 2011/0186052 A1 8/2011 Morejon
 2011/0197894 A1 8/2011 Morejon

FOREIGN PATENT DOCUMENTS

EP 1056412 A1 12/2000
 WO WO9403226 A1 2/1994
 WO WO9935998 7/1999
 WO WO2011094390 8/2011
 WO WO2011094517 8/2011
 WO WO2011103403 8/2011

* cited by examiner

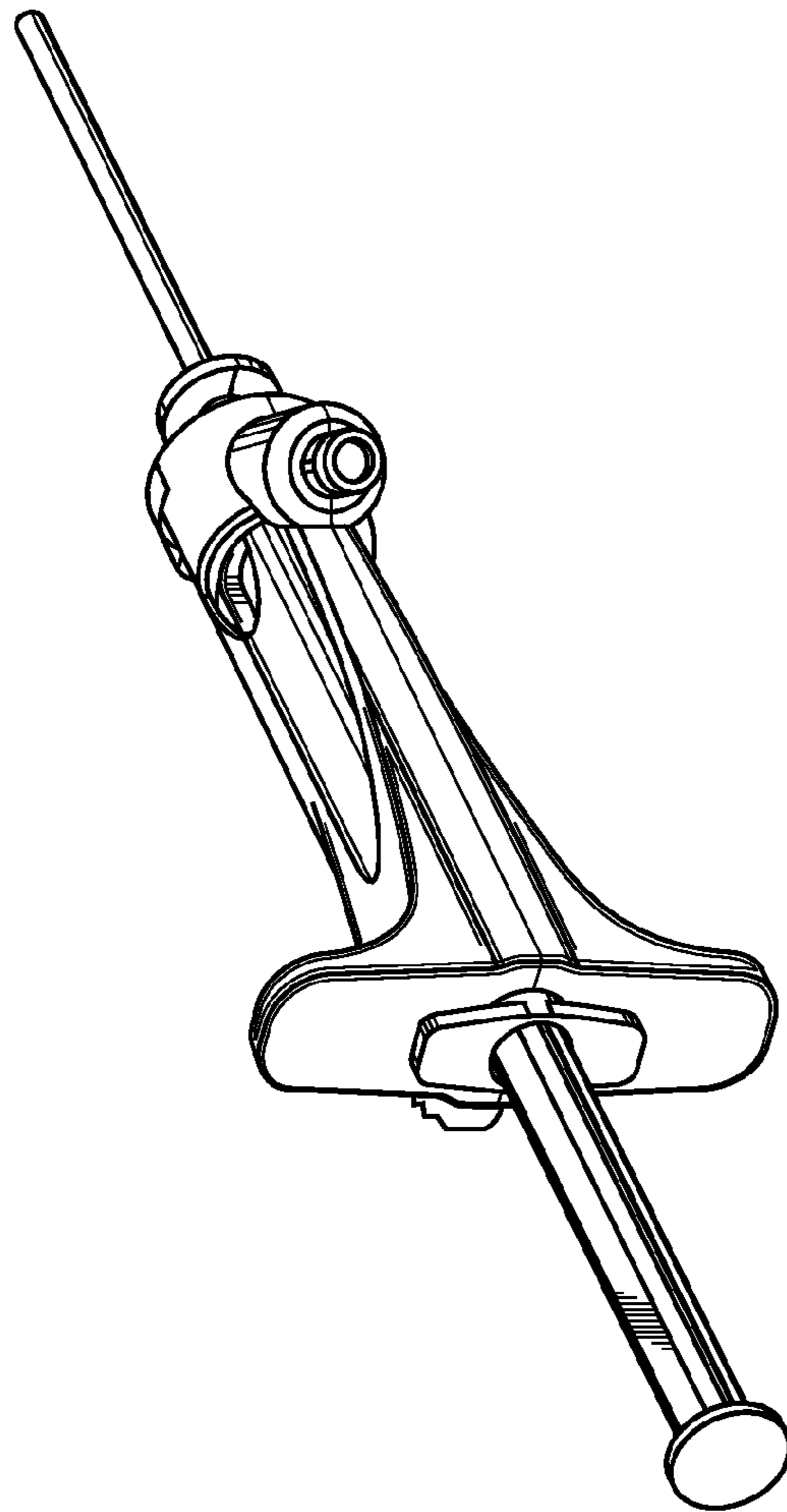


FIG. 1



FIG. 2

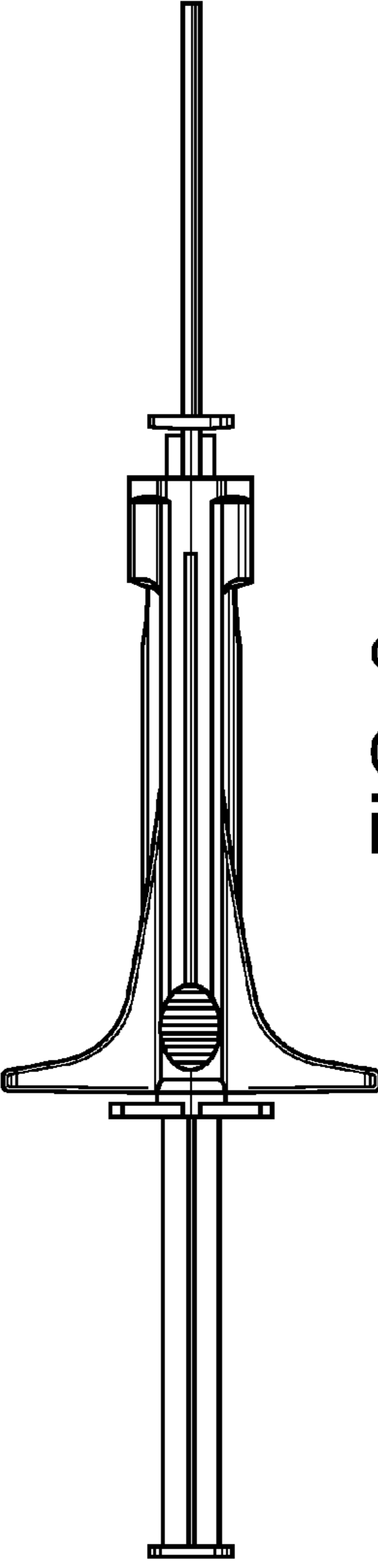


FIG. 3

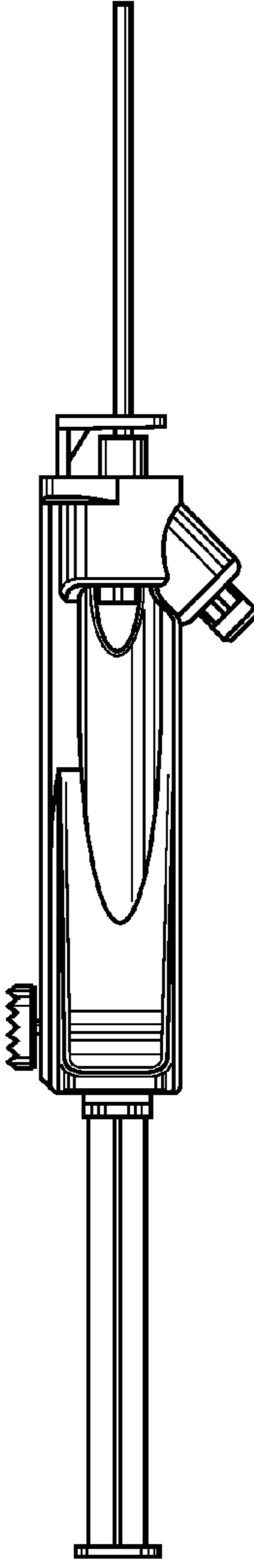


FIG. 4

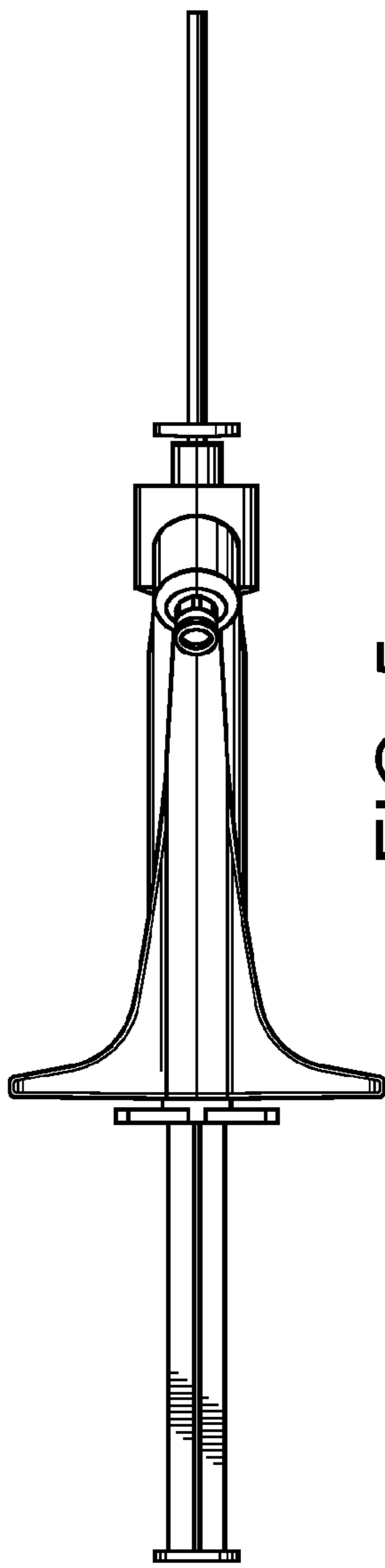


FIG. 5

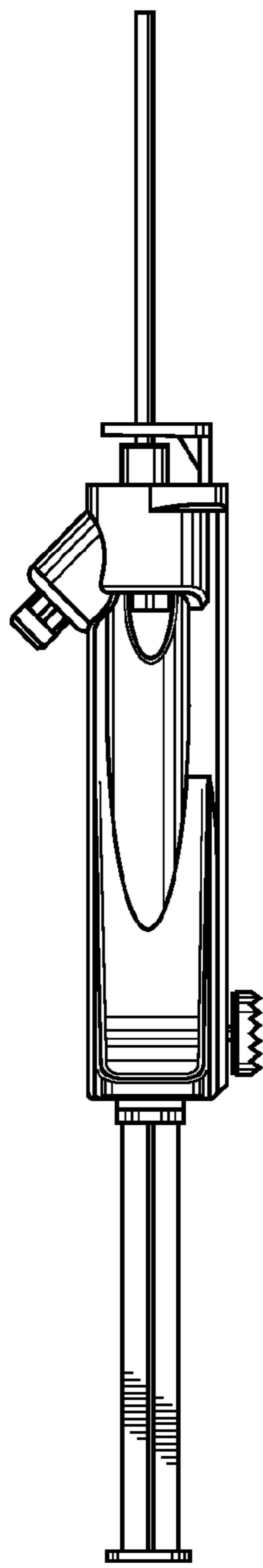


FIG. 6

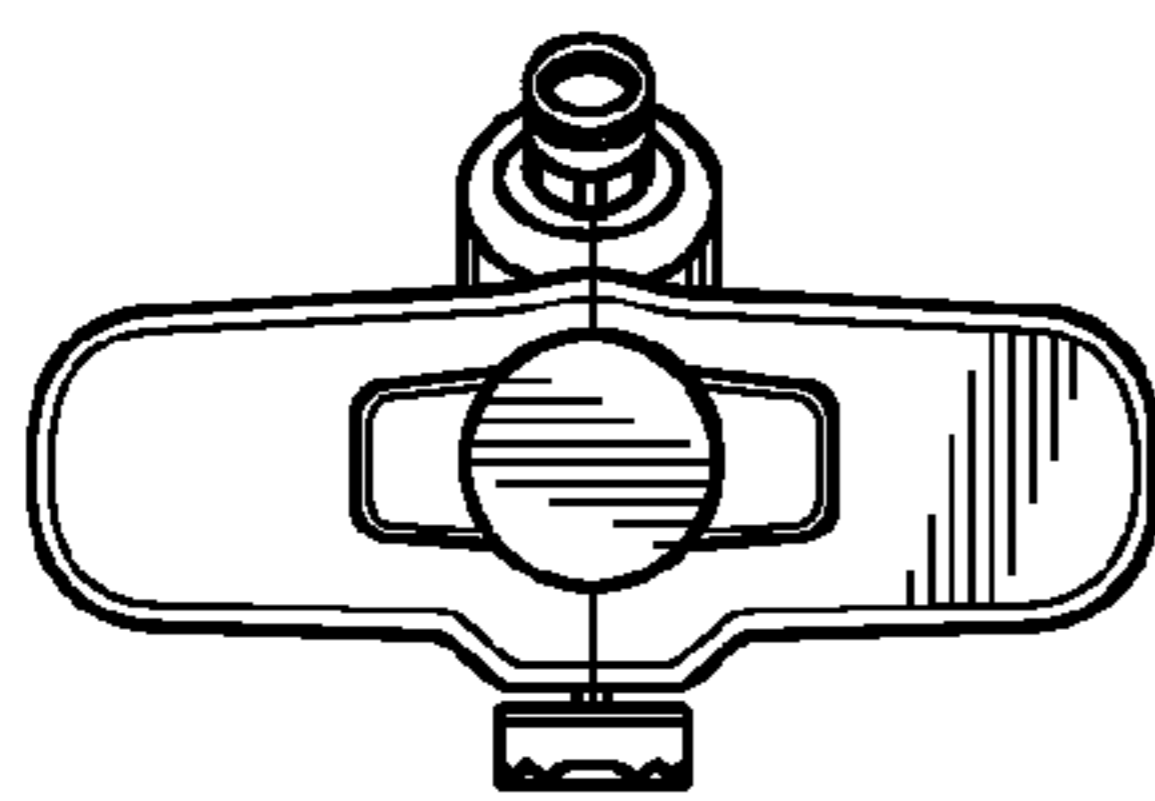


FIG. 7

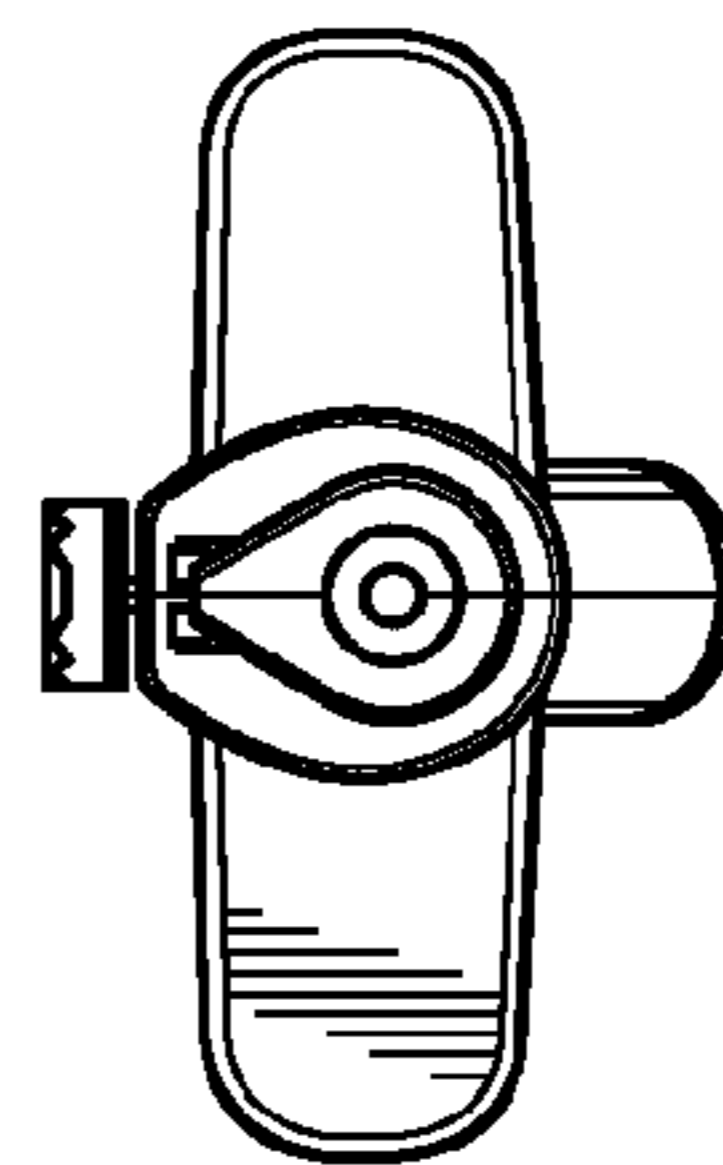


FIG. 8