

US00D699344S

(12) **United States Design Patent**  
**Tokumoto et al.**

(10) **Patent No.:** **US D699,344 S**  
(45) **Date of Patent:** **\*\* Feb. 11, 2014**

(54) **APPLICATOR DEVICE**

(75) Inventors: **Seiji Tokumoto**, Tsukuba (JP); **Makoto Ogura**, Tsukuba (JP); **Kazuya Machida**, Tsukuba (JP)

(73) Assignee: **Hisamitsu Pharmaceutical Co., Inc.**, Saga (JP)

(\*\*) Term: **14 Years**

(21) Appl. No.: **29/390,001**

(22) Filed: **Apr. 19, 2011**

(30) **Foreign Application Priority Data**

Oct. 21, 2010 (JP) ..... 2010-025278  
Oct. 21, 2010 (JP) ..... 2010-025279

(51) **LOC (10) Cl.** ..... **24-02**

(52) **U.S. Cl.**  
USPC ..... **D24/119**

(58) **Field of Classification Search**  
USPC ..... D24/119, 133, 141; 606/162, 180;  
D28/7, 8; 604/1, 2, 19, 3, 309, 73, 540;  
132/317; 600/572; 401/196  
See application file for complete search history.

(56) **References Cited**

**U.S. PATENT DOCUMENTS**

1,033,099 A \* 7/1912 Harrison ..... 606/180  
2,932,277 A \* 4/1960 Borah ..... 401/196

(Continued)

**FOREIGN PATENT DOCUMENTS**

CN 3643922 9/2007  
KR 30-0289753 S 1/2002

(Continued)

**OTHER PUBLICATIONS**

Office Action for Taiwanese counterpart design application No. 100301892 mailed Nov. 14, 2011.

*Primary Examiner* — David Muller

(74) *Attorney, Agent, or Firm* — Leydig, Voit & Mayer, Ltd.

(57) **CLAIM**

The ornamental design for an applicator device, as shown and described.

**DESCRIPTION**

FIG. 1 is a front view of an applicator device of the present invention.

FIG. 2 is a rear view of the applicator device of FIG. 1.

FIG. 3 is a top plan view of the applicator device of FIG. 1.

FIG. 4 is a bottom view of the applicator device of FIG. 1.

FIG. 5 is a right side view of the applicator device of FIG. 1.

FIG. 6 is a left side view of the applicator device of FIG. 1.

FIG. 7 is a perspective view of the applicator device of FIG. 1 from above.

FIG. 8 is a perspective view of the applicator device of FIG. 1 from below.

FIG. 9 is a perspective view of the applicator device of FIG. 1 from above showing the article with the cap down.

FIG. 10 is a perspective view of the applicator device of FIG. 1 from below showing the article with the cap down.

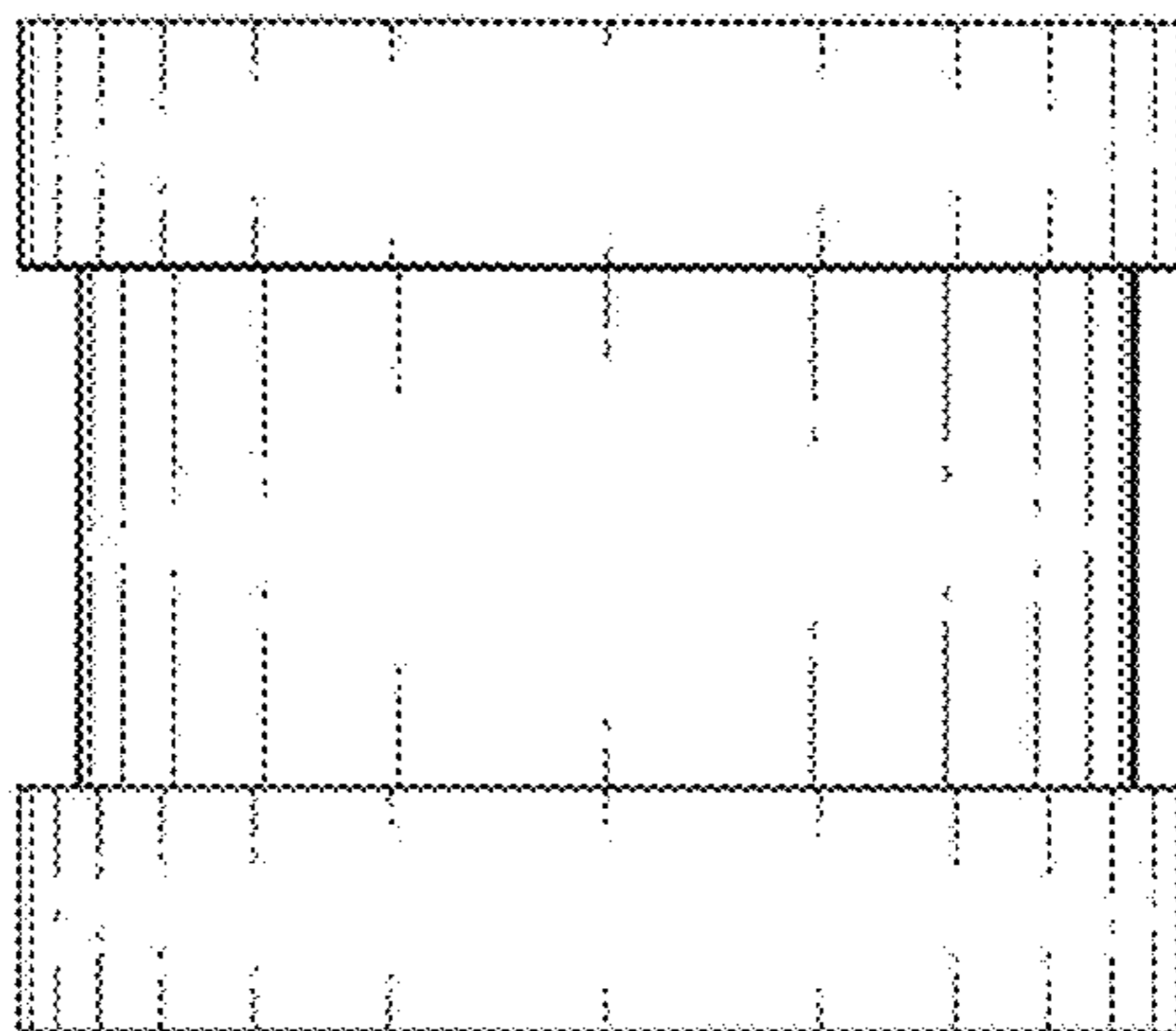
FIG. 11 is an 11-11 sectional view of the applicator device of FIG. 1.

FIG. 12 is an 11-11 sectional view of the applicator device of FIG. 1 showing the article with the cap down; and,

FIG. 13 is a reference view of the applicator device of FIG. 1, showing the occasion of use, and identifying various structures.

The features shown in broken lines depict environmental subject matter only and form no part of the claimed design.

**1 Claim, 13 Drawing Sheets**



# US D699,344 S

Page 2

---

(56)

## References Cited

### U.S. PATENT DOCUMENTS

4,526,171 A \* 7/1985 Schachar ..... 606/180  
4,589,412 A \* 5/1986 Kensey ..... 606/180  
4,747,842 A \* 5/1988 Dietz ..... 604/309  
5,904,664 A \* 5/1999 Kim ..... 604/19  
6,298,863 B1 \* 10/2001 Byun ..... 401/125  
7,381,003 B1 \* 6/2008 Chang ..... 401/130  
D598,173 S \* 8/2009 Hartel ..... D32/40

D612,939 S \* 3/2010 Boone et al. .... D24/133  
7,993,871 B2 \* 8/2011 Skiffington et al. .... 600/572

### FOREIGN PATENT DOCUMENTS

KR 30-0451541 S 6/2007  
TW D132699 S 12/2009  
TW D133128 S 1/2010

\* cited by examiner

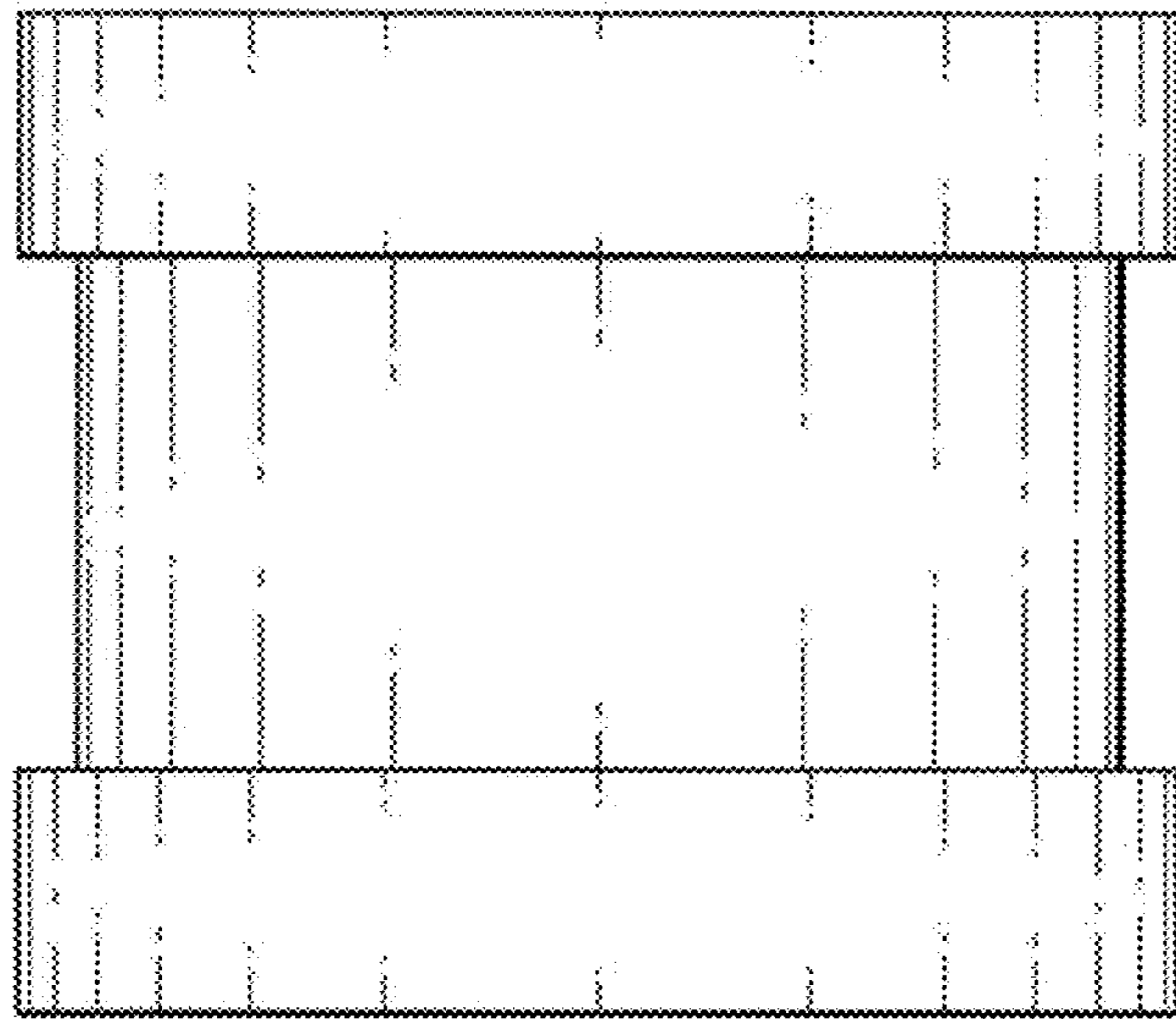


FIG. 1

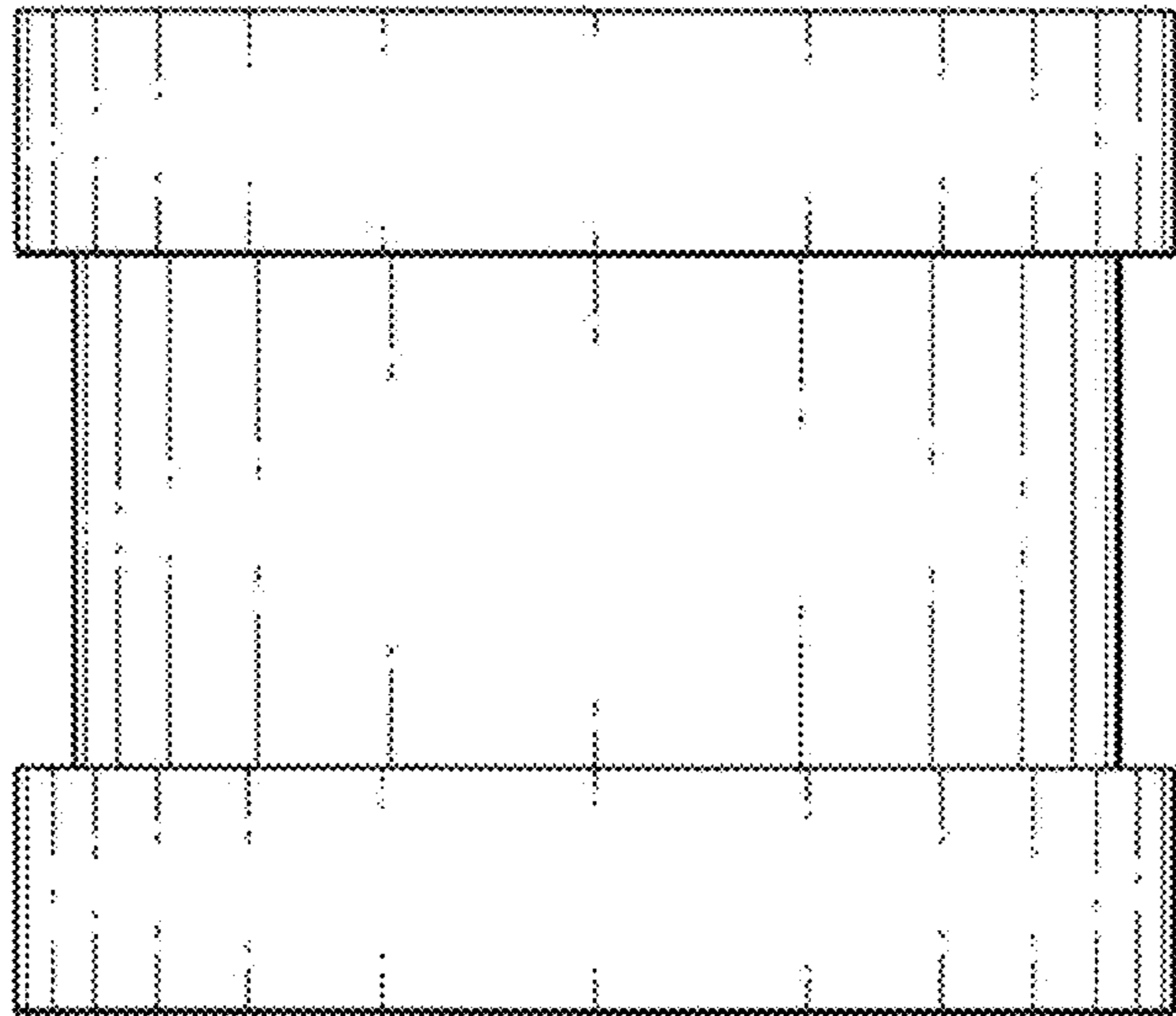


FIG. 2

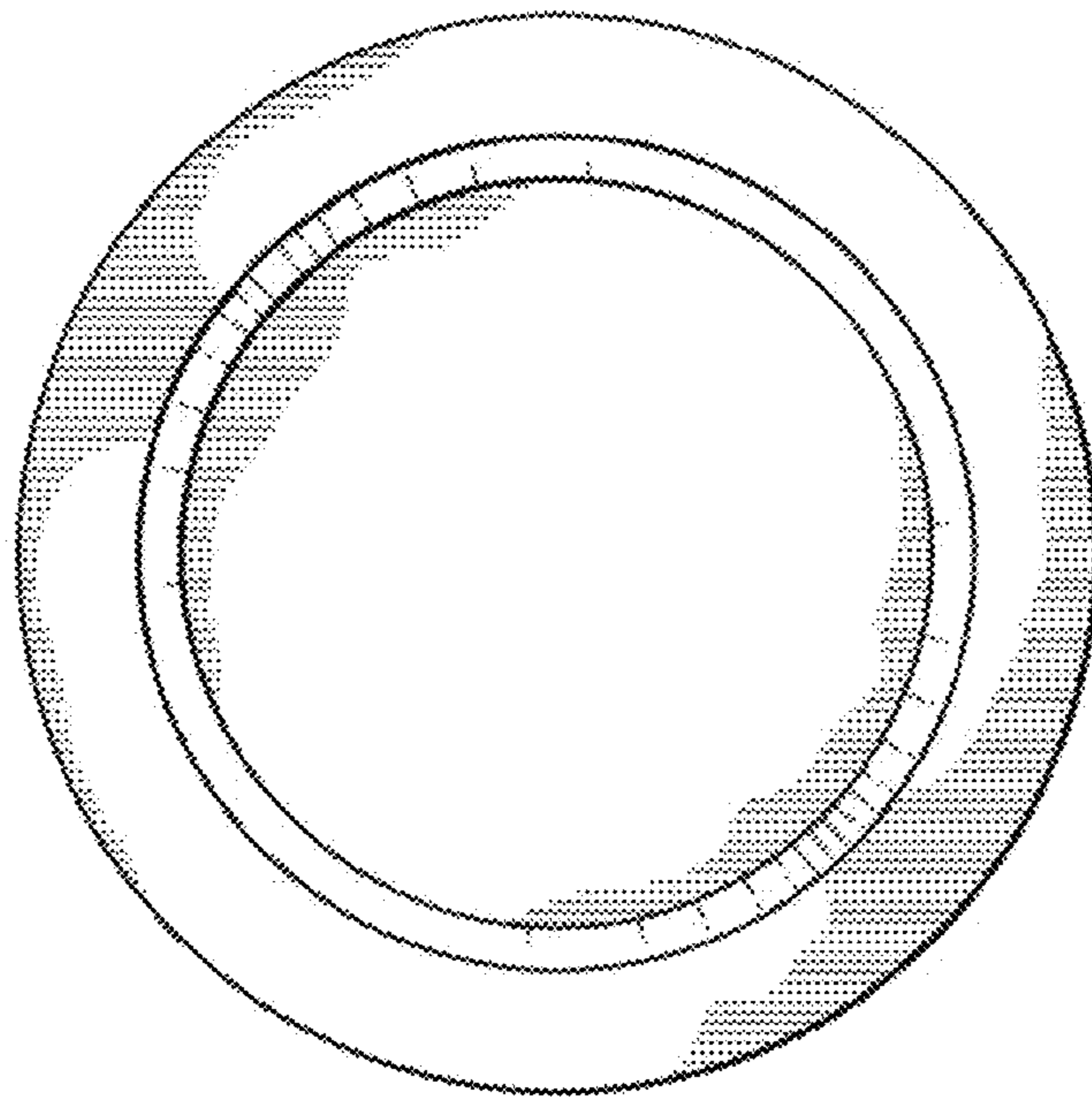


FIG. 3

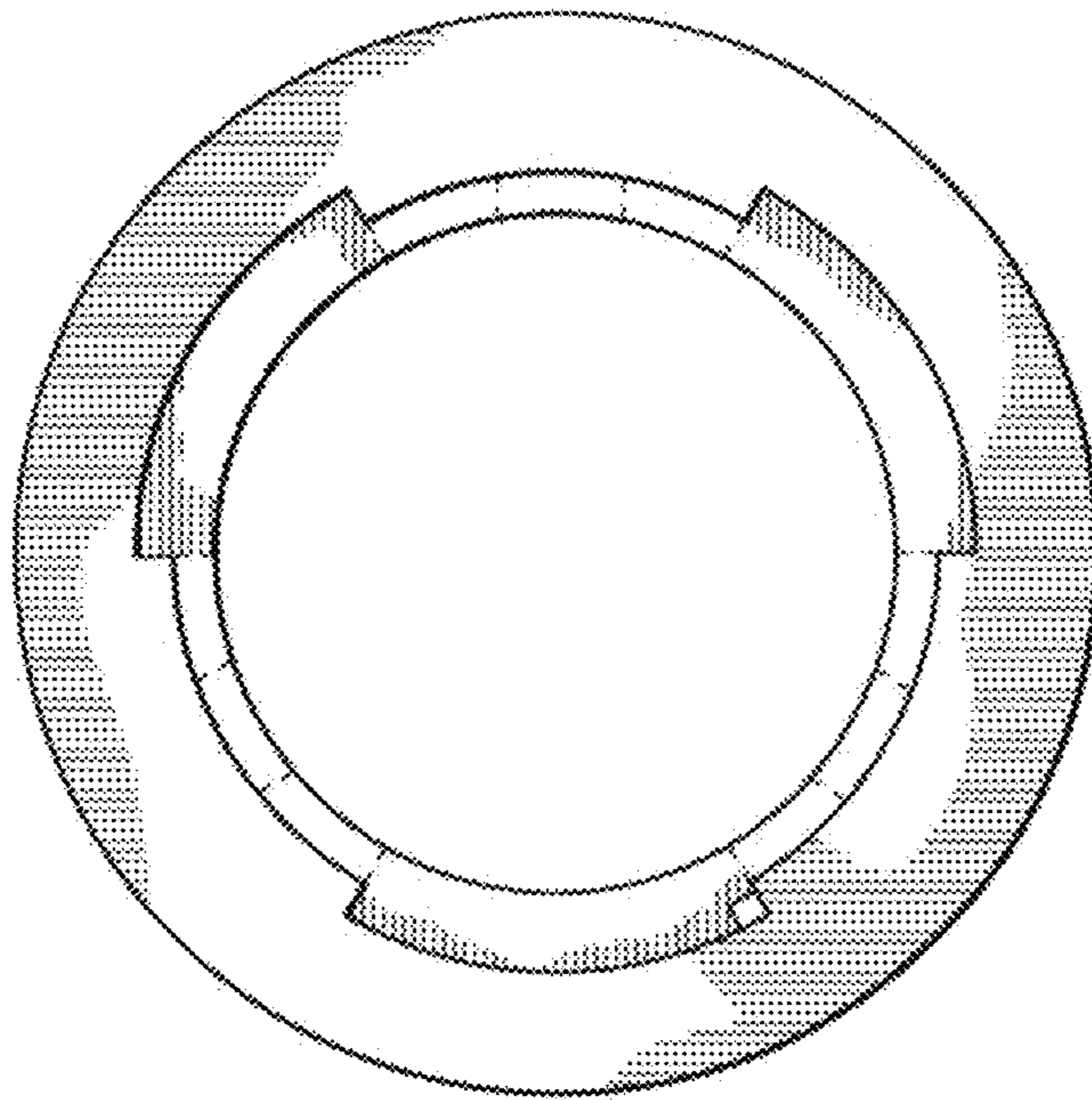


FIG. 4



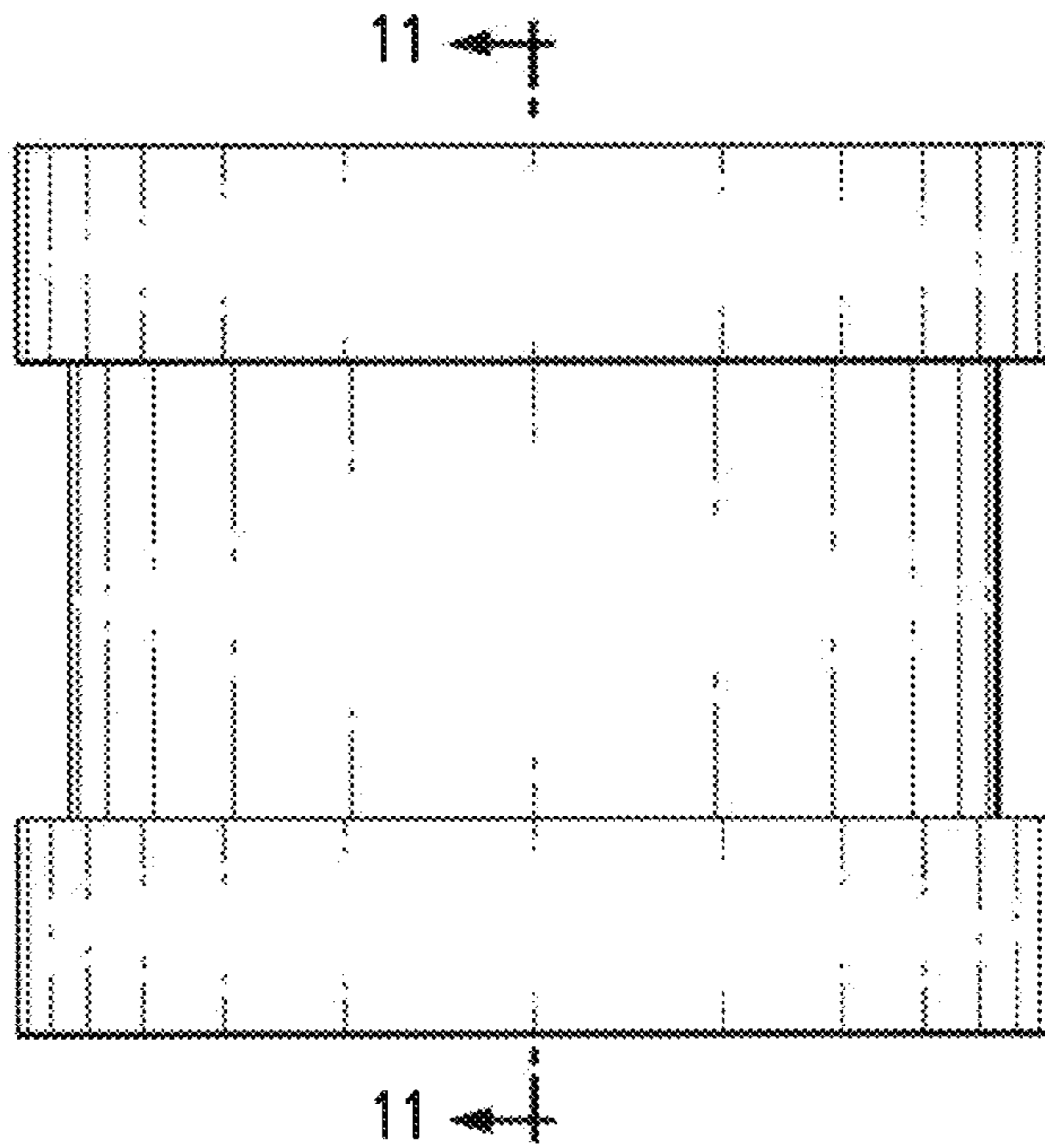


FIG. 5

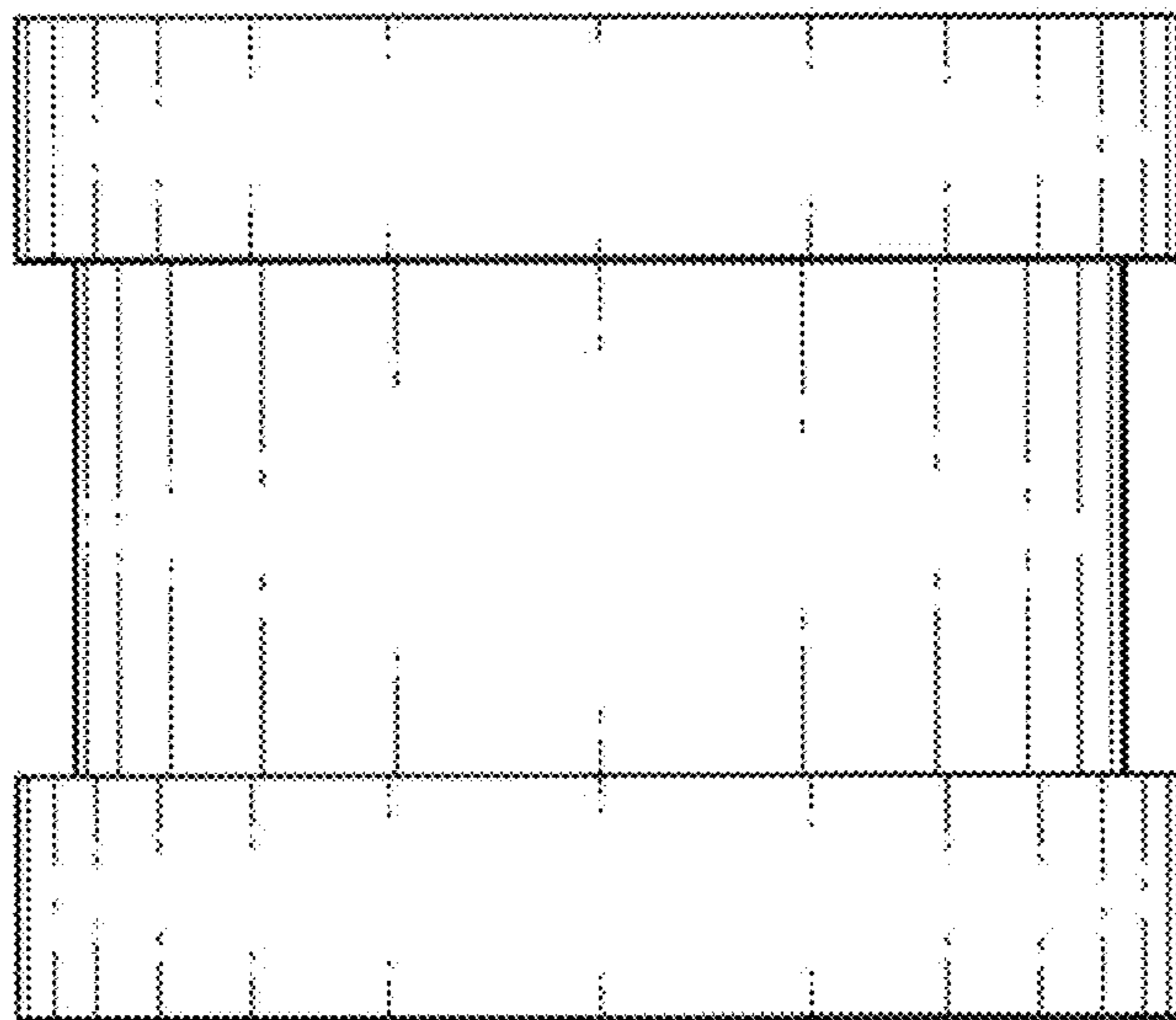


FIG. 6



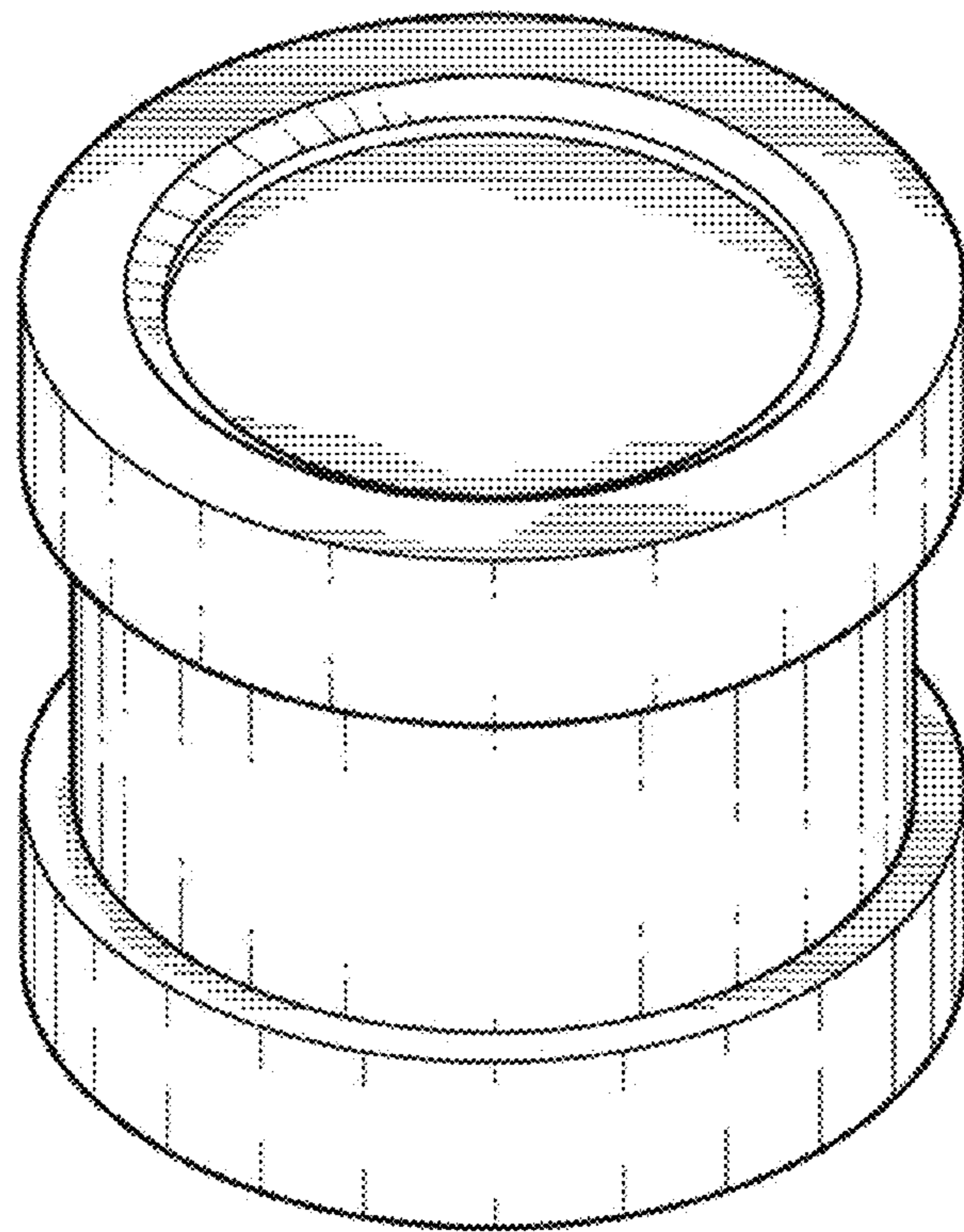


FIG. 7

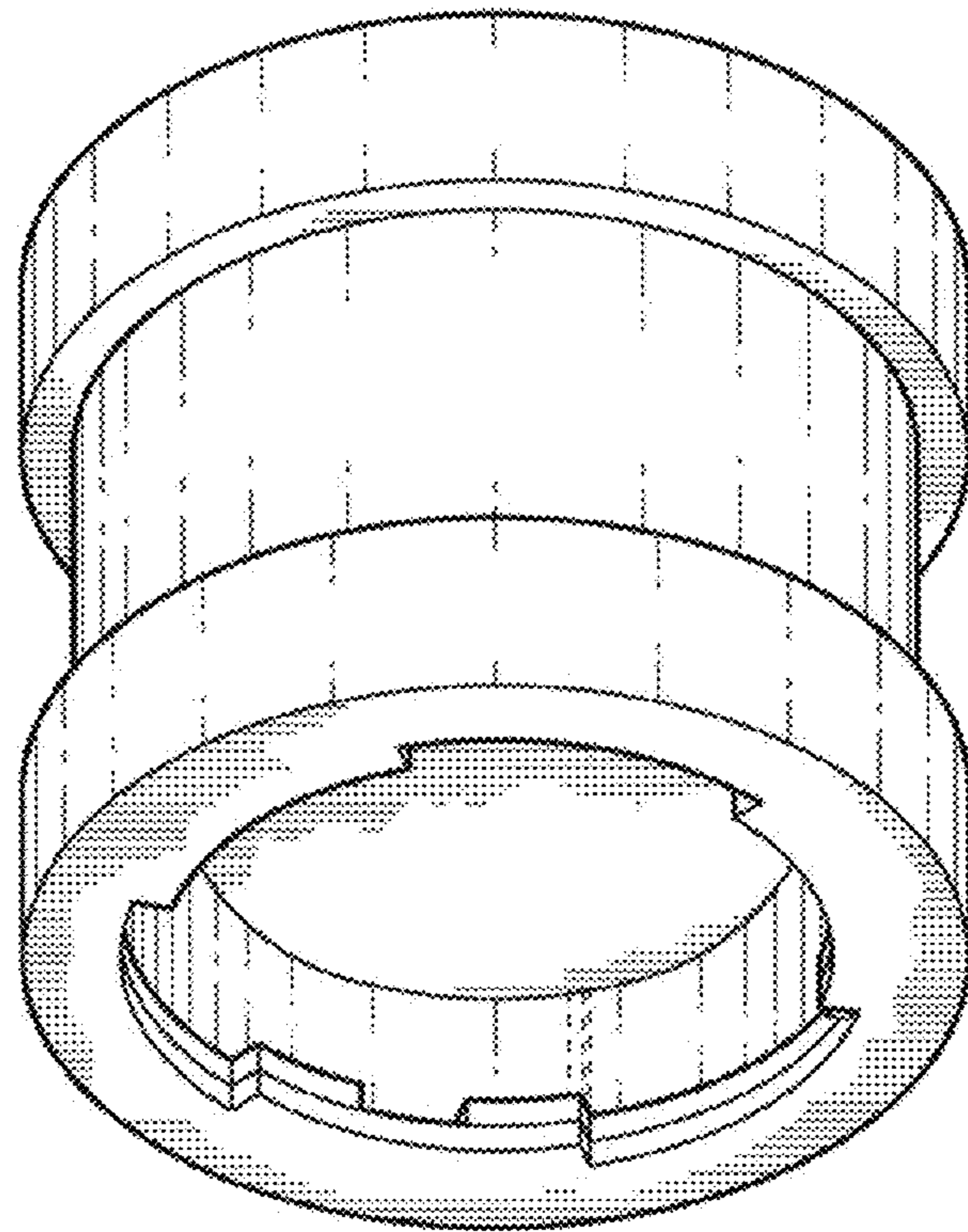


FIG. 8

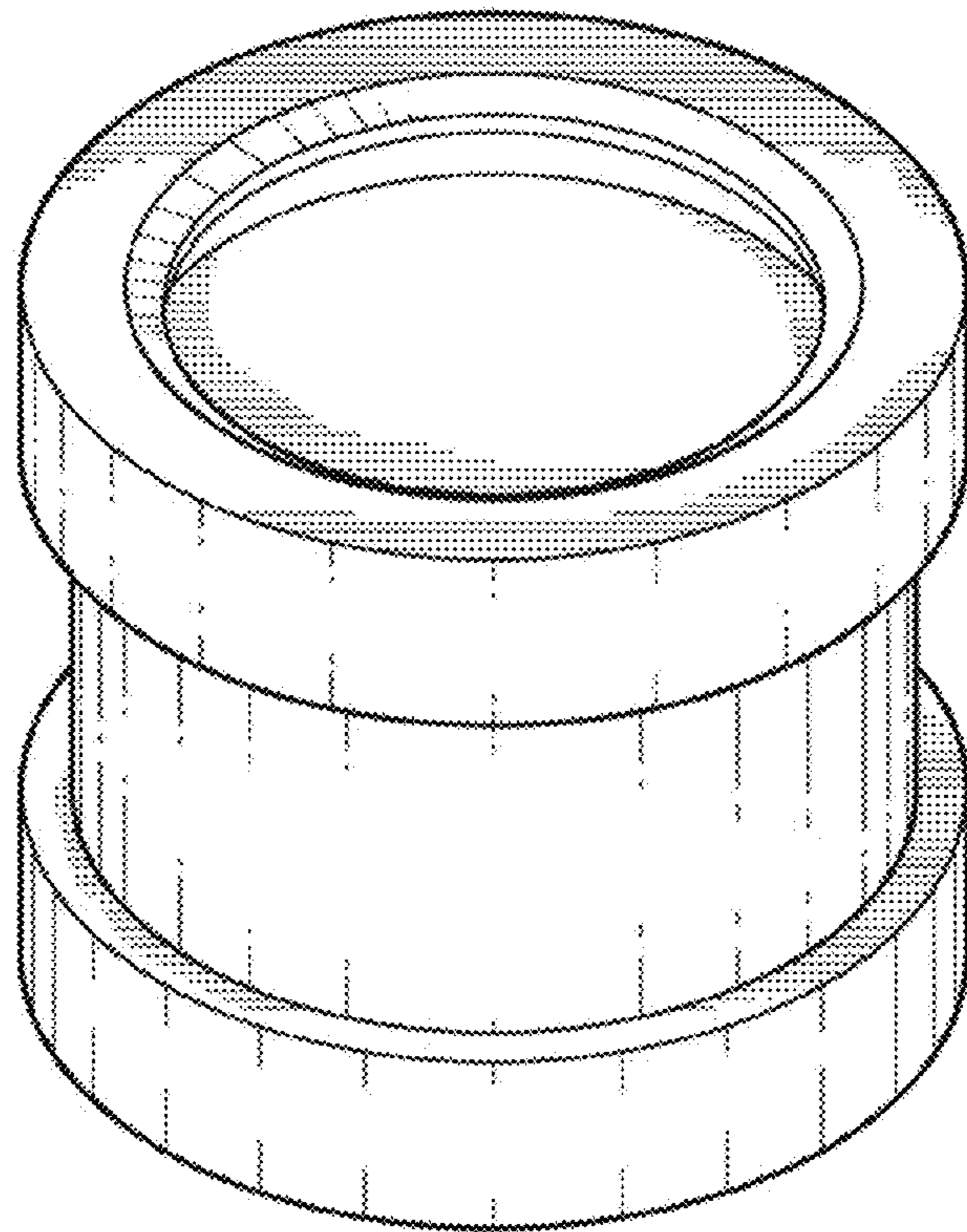


FIG. 9

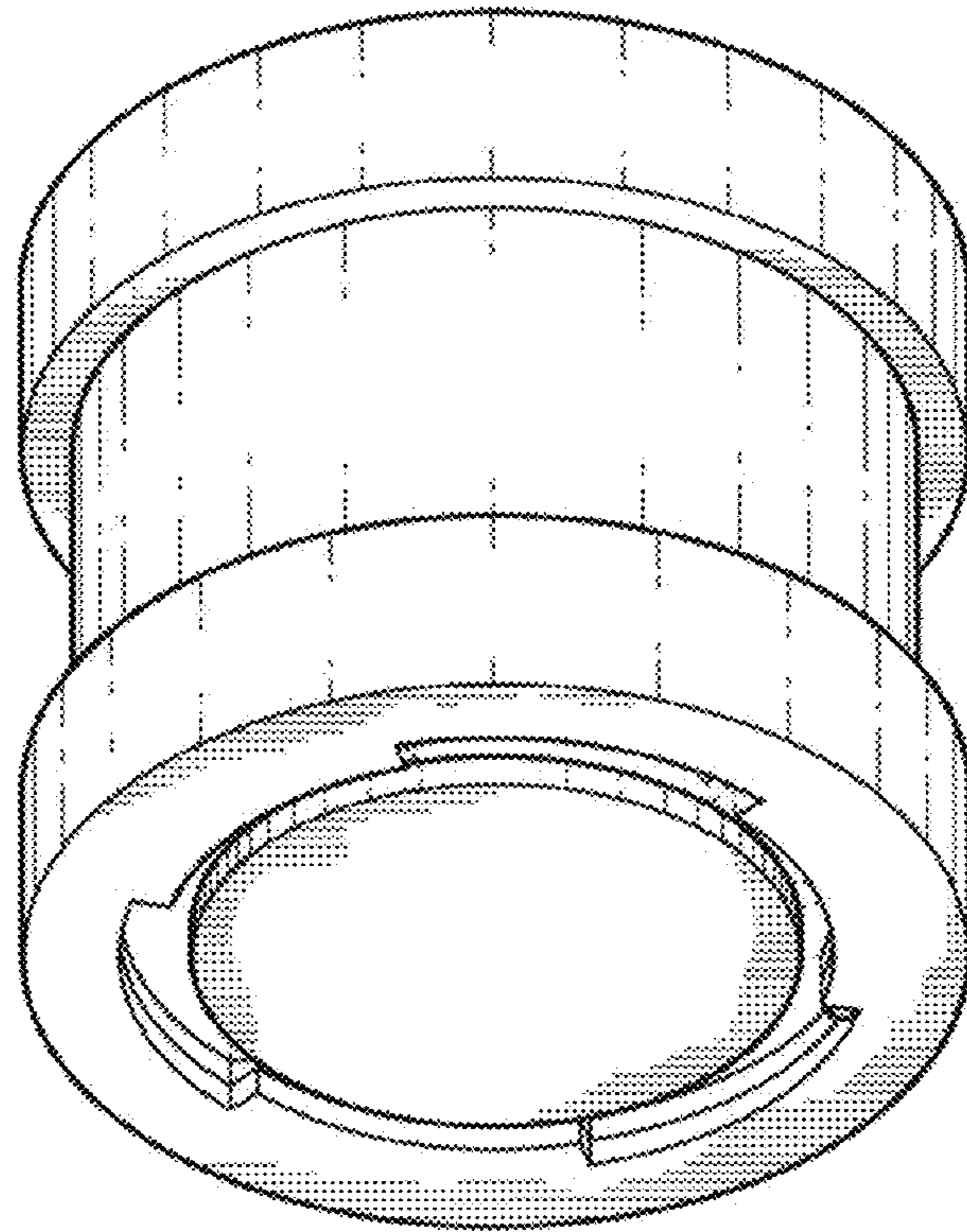


FIG. 10

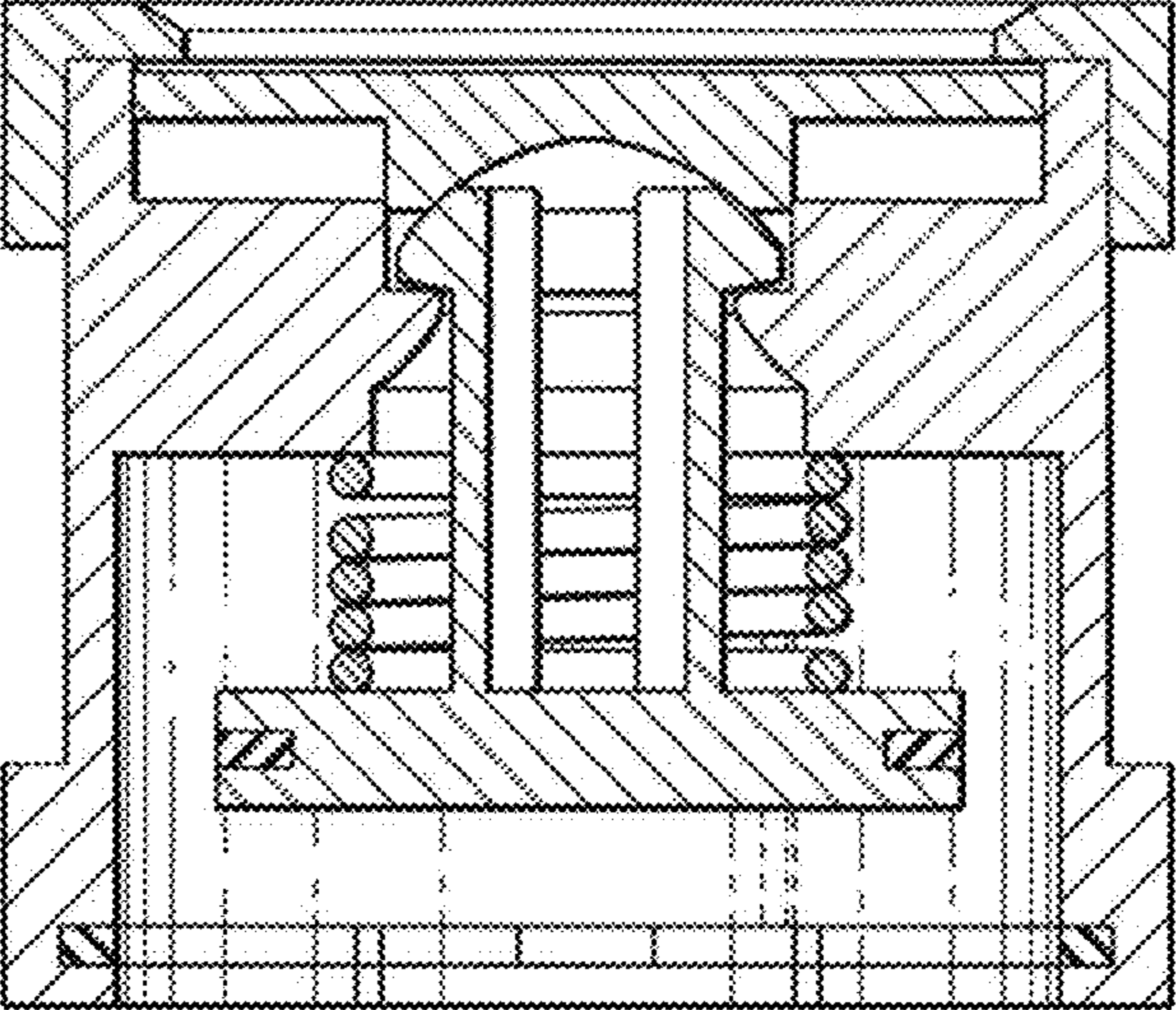


FIG. 11



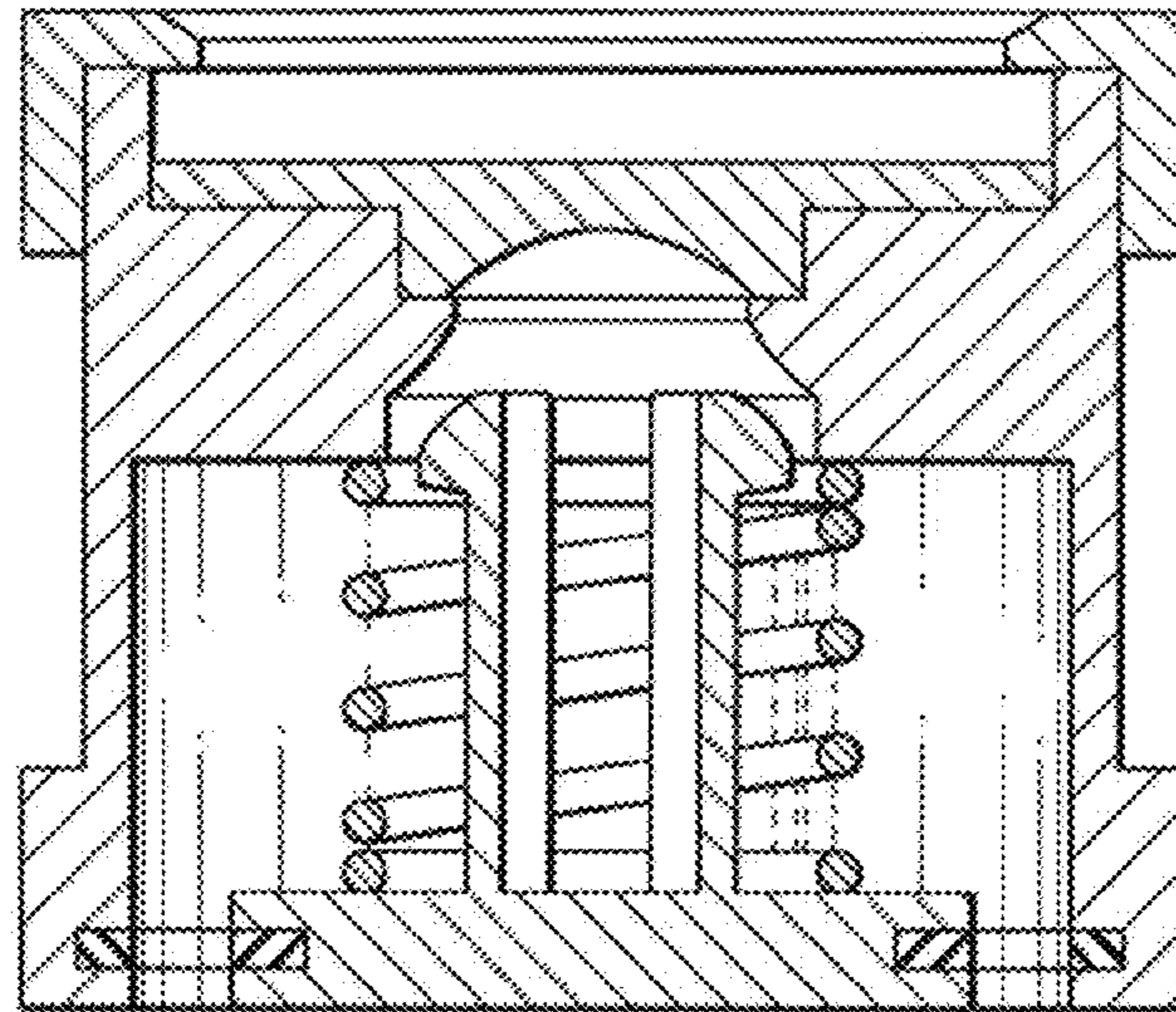


FIG. 12

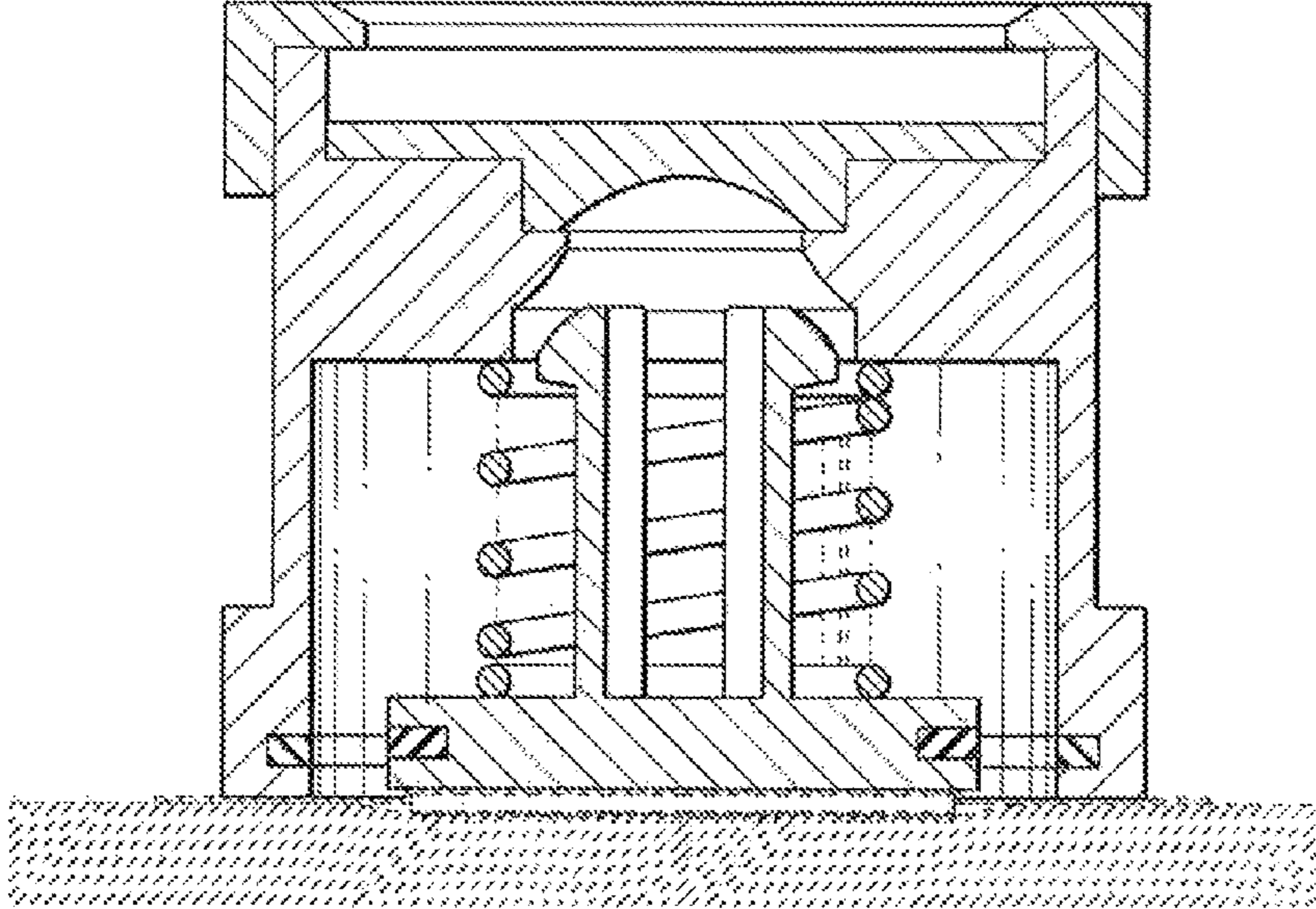


FIG. 13