



US00D699342S

(12) **United States Design Patent**
Suzuki

(10) **Patent No.:** **US D699,342 S**

(45) **Date of Patent:** **** Feb. 11, 2014**

(54) **INJECTOR**

(75) Inventor: **Ichiro Suzuki**, Nagoya (JP)

(73) Assignees: **Suzuken Company Limited**, Aichi (JP);
Taisei Kako Company Limited, Osaka (JP)

(**) Term: **14 Years**

(21) Appl. No.: **29/401,292**

(22) Filed: **Sep. 9, 2011**

(30) **Foreign Application Priority Data**

Mar. 9, 2011 (JP) 2011-005407

(51) **LOC (10) Cl.** **24-02**

(52) **U.S. Cl.**
USPC **D24/114; D24/147**

(58) **Field of Classification Search**
USPC D24/113, 114, 130, 133, 112, 141, 147;
604/232, 187, 163, 207, 208, 227, 229,
604/69, 68, 82, 70, 416, 272, 72, 71;
606/181, 185; D7/669

See application file for complete search history.

(56) **References Cited**

U.S. PATENT DOCUMENTS

D238,107 S *	12/1975	Heros	D24/114
D263,271 S *	3/1982	Kalb	D7/669
D303,010 S *	8/1989	Jabbusch	D24/114
D316,899 S *	5/1991	Andersson et al.	D24/113
5,061,247 A *	10/1991	Akaike et al.	604/187
5,073,165 A *	12/1991	Edwards	604/72
D323,391 S *	1/1992	Payne et al.	D24/130
D335,344 S *	5/1993	Hastings	D24/114
D376,423 S *	12/1996	Monea	D24/114
D377,830 S *	2/1997	Lai	D24/114
D378,406 S *	3/1997	Kugler	D24/114
D447,559 S *	9/2001	Jansen et al.	D24/114
D463,546 S *	9/2002	Jansen et al.	D24/114

D483,116 S *	12/2003	Castellano	D24/114
D544,600 S *	6/2007	Wentling	D24/130
D568,988 S *	5/2008	Galbraith	D24/114
D574,954 S *	8/2008	Smith	D24/114
D609,333 S *	2/2010	Holmes	D24/114
D610,253 S *	2/2010	Kawamura	D24/114
D612,487 S *	3/2010	Hunter et al.	D24/114
D618,347 S *	6/2010	Bradshaw	D24/141
7,909,793 B2 *	3/2011	Kendall	604/68
D667,947 S *	9/2012	Py et al.	D24/112
D674,086 S *	1/2013	Khalaj	D24/114
D675,318 S *	1/2013	Luk et al.	D24/130
D678,514 S *	3/2013	Foley et al.	D24/114
D678,522 S *	3/2013	Gustavsson	D24/130
D690,416 S *	9/2013	Cappello et al.	D24/112

* cited by examiner

Primary Examiner — Ian Simmons

Assistant Examiner — Carissa C Fitts

(74) *Attorney, Agent, or Firm* — Westerman, Hattori, Daniels & Adrian, LLP

(57) **CLAIM**

The ornamental design for an injector, as shown and described.

DESCRIPTION

FIG. 1 is a left front perspective view of an injector, showing my new design;

FIG. 2 is a right front perspective view thereof;

FIG. 3 is a front elevational view thereof, the rear elevational view being identical thereto;

FIG. 4 is a top plan view thereof, the bottom plan view being identical thereto;

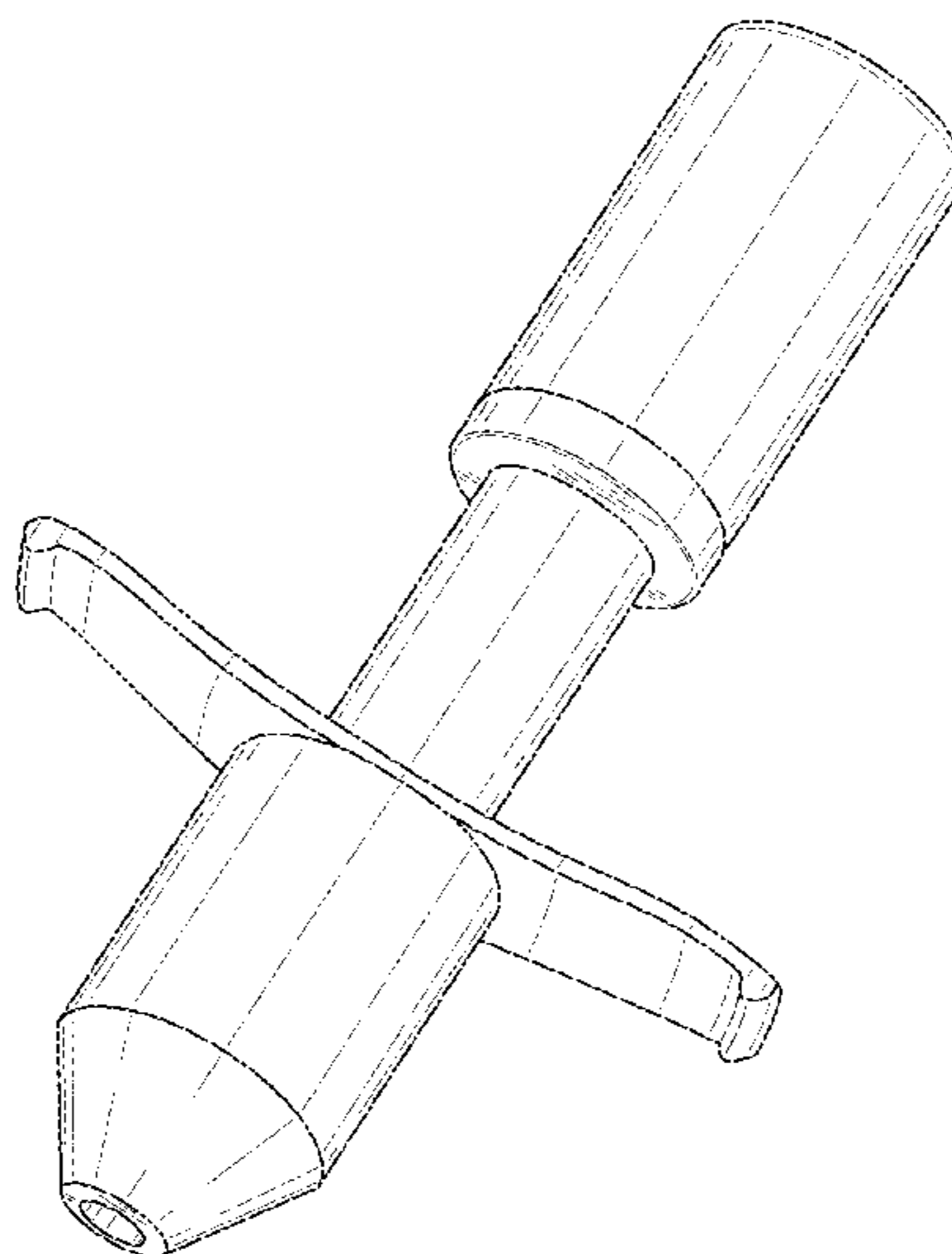
FIG. 5 is a right side elevational view thereof;

FIG. 6 is a left side elevational view thereof; and,

FIG. 7 is a front elevational view thereof in an engaged state, the rear elevational view being identical thereto.

The broken lines illustrate environmental structure and form no part of the claimed design.

1 Claim, 5 Drawing Sheets



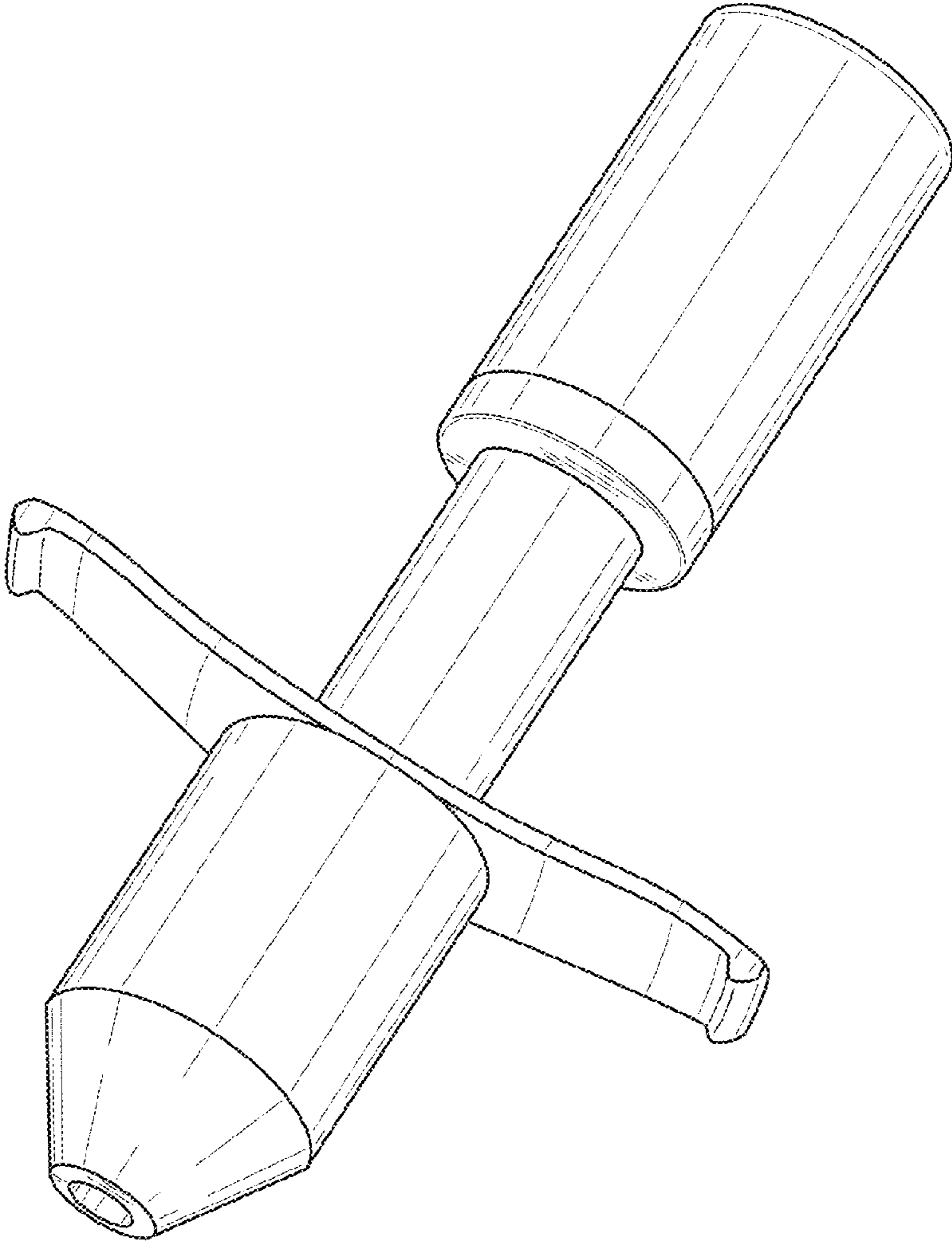


FIG.1

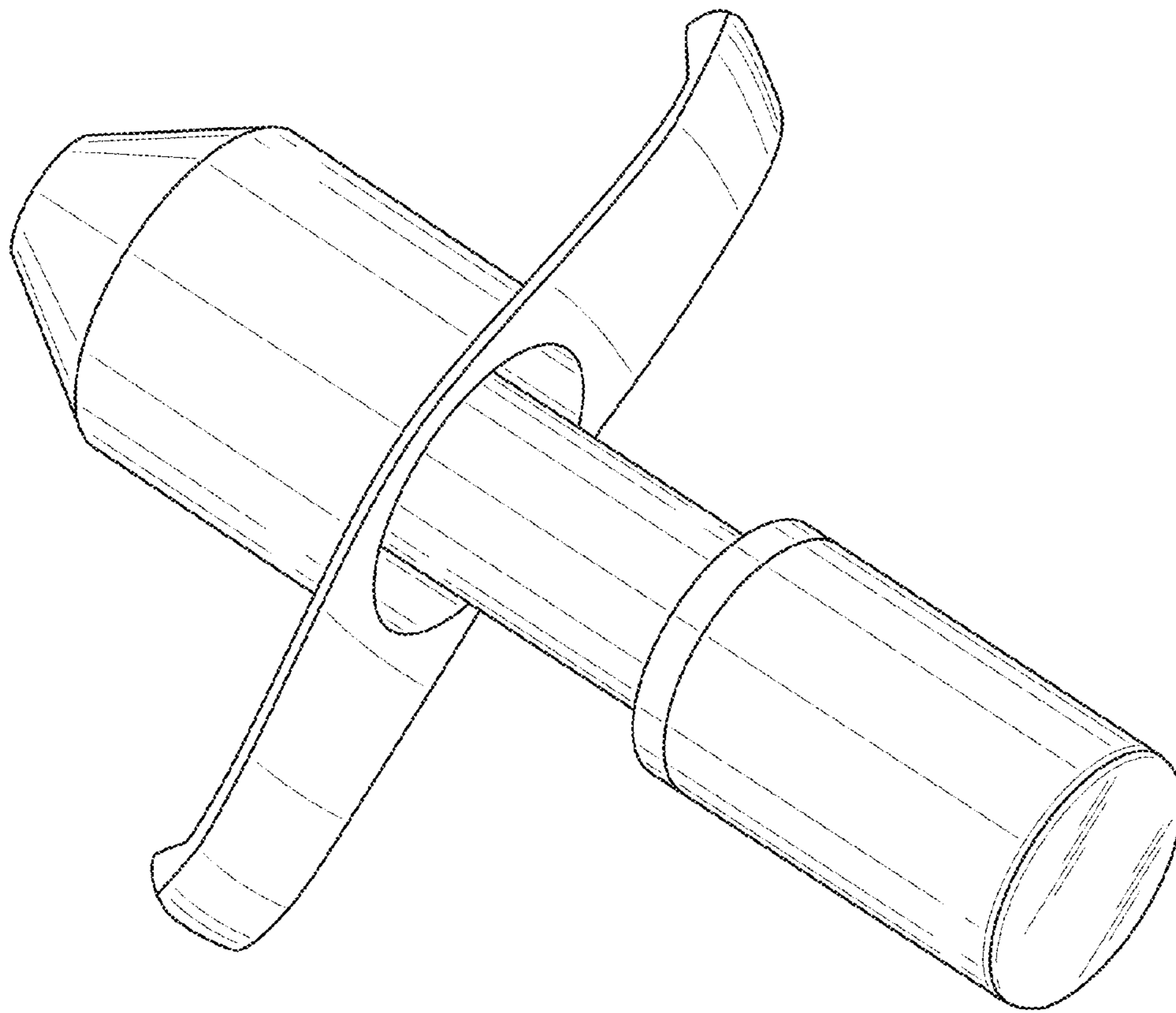


FIG.2

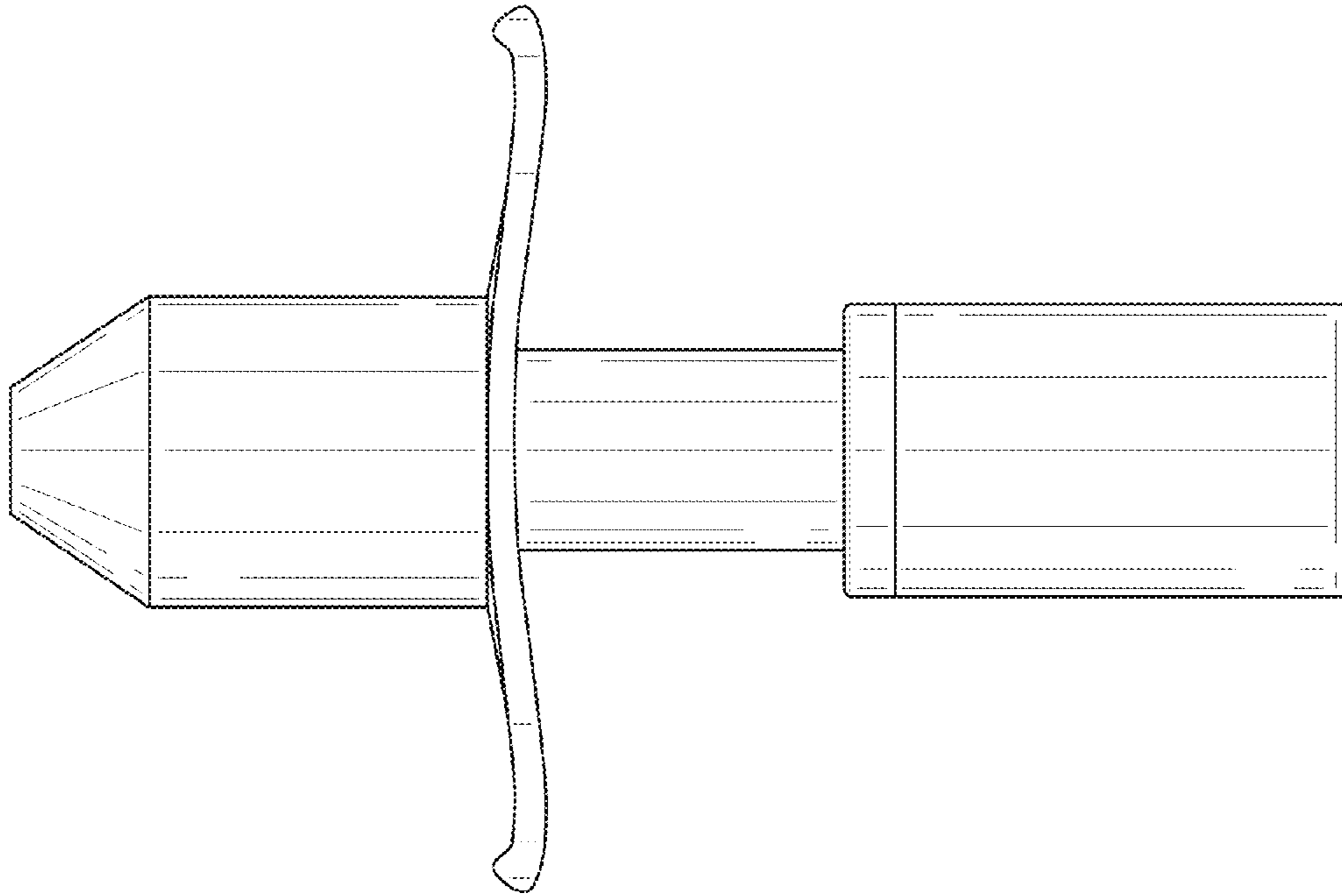


FIG. 3

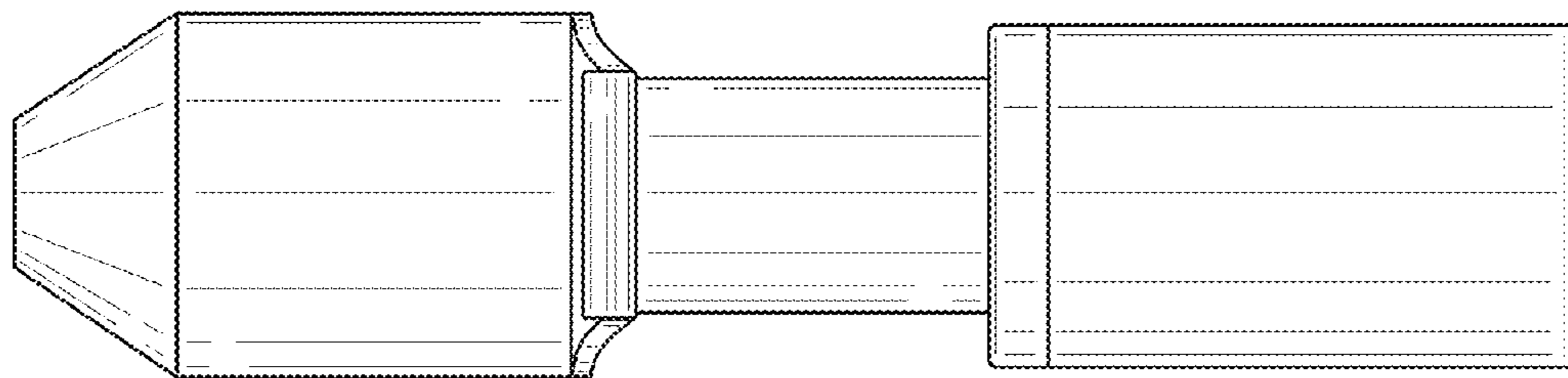


FIG. 4

FIG.5

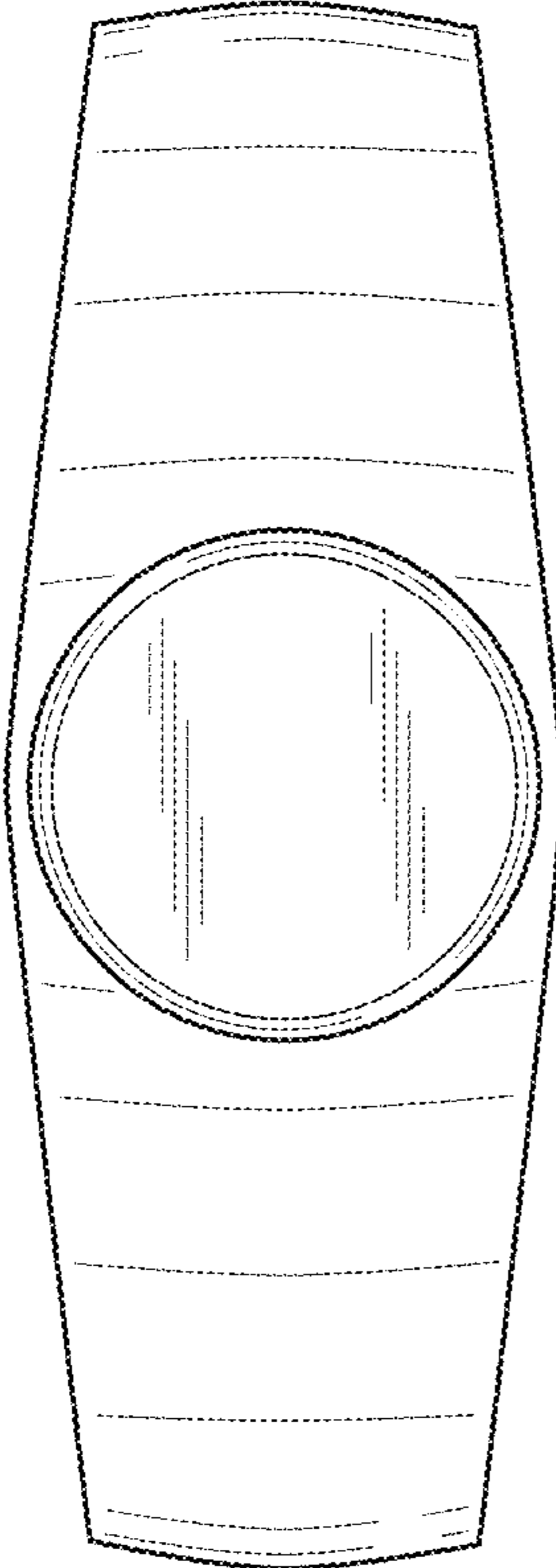
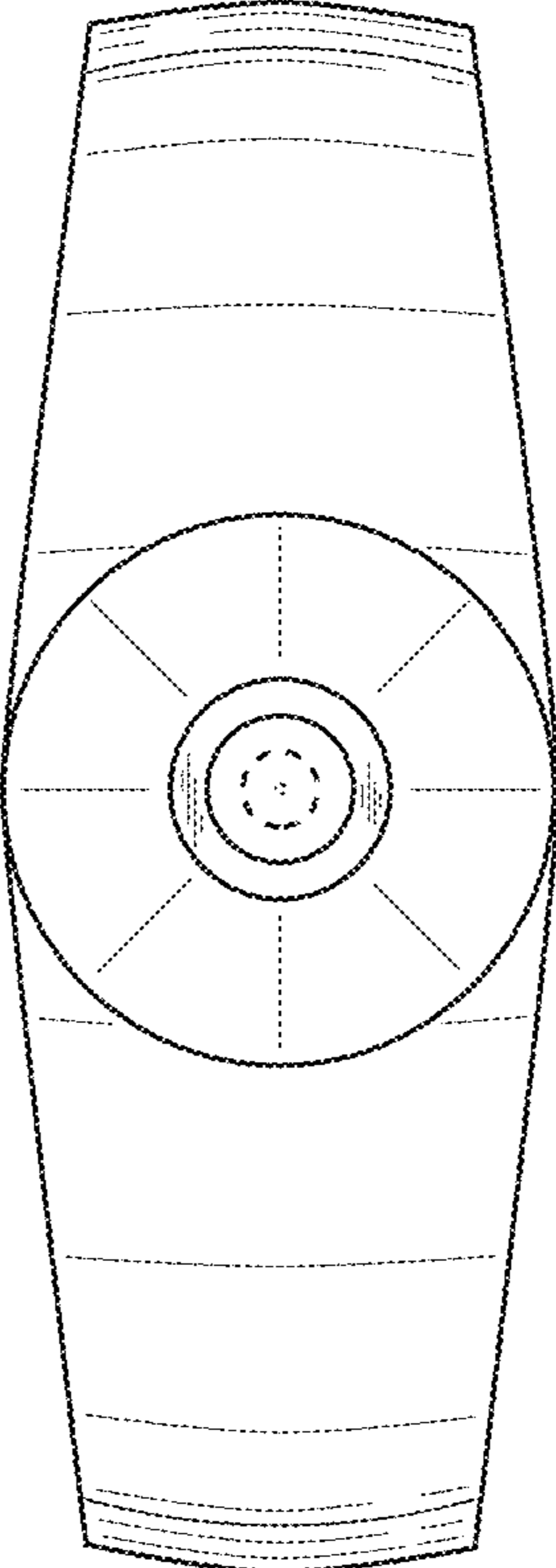


FIG.6



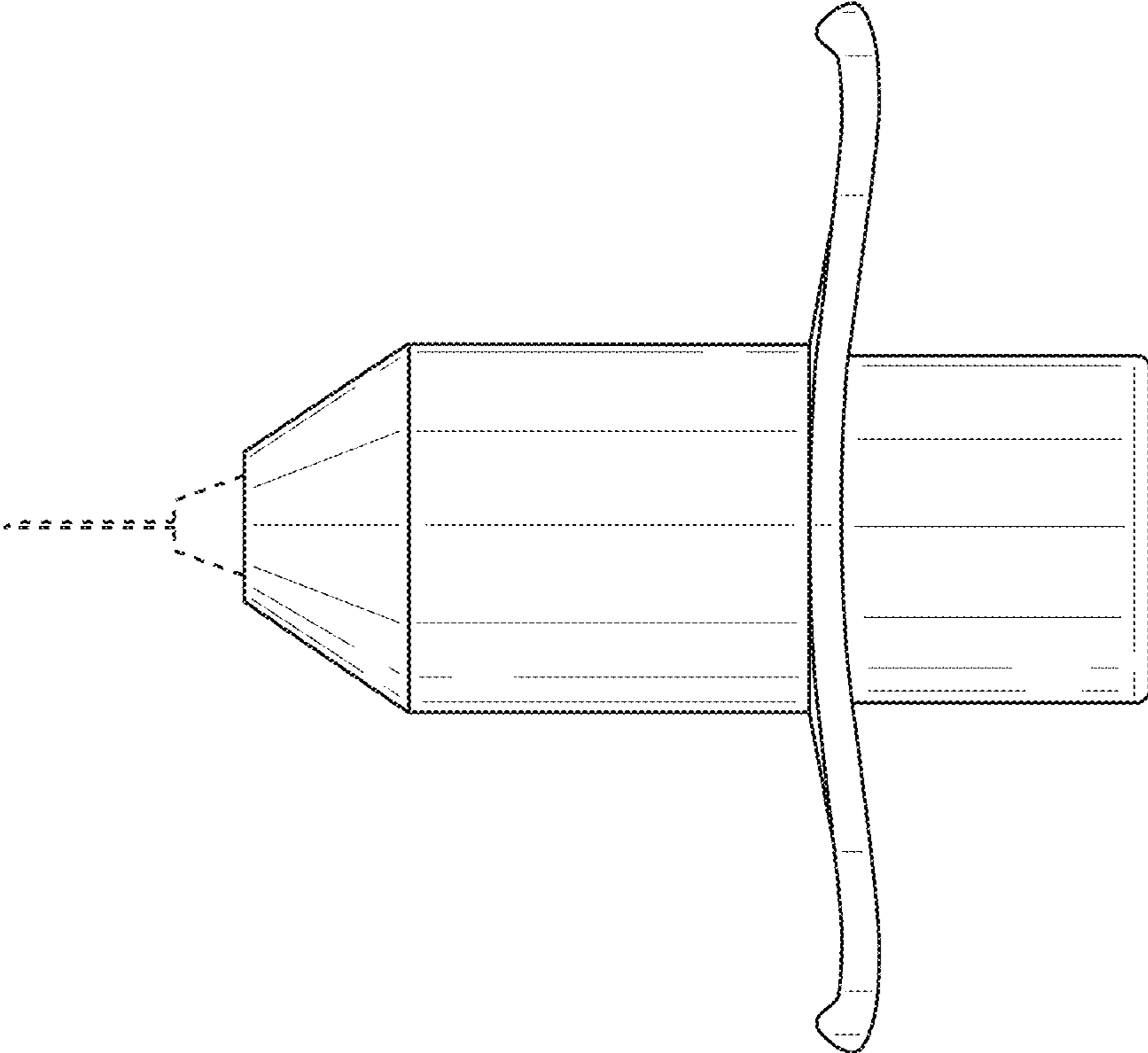


FIG.7