

US00D699341S

(12) **United States Design Patent**
Clark

(10) **Patent No.:** **US D699,341 S**

(45) **Date of Patent:** **** Feb. 11, 2014**

(54) **NEEDLE ASSEMBLY**

(75) Inventor: **Geoff Clark**, Lempster, NH (US)

(73) Assignee: **Smiths Medical ASD, Inc.**, Rockland, MA (US)

(**) Term: **14 Years**

(21) Appl. No.: **29/371,752**

(22) Filed: **Aug. 31, 2011**

(51) **LOC (10) Cl.** **24-02**

(52) **U.S. Cl.**
USPC **D24/112**

(58) **Field of Classification Search**
USPC D24/112-114, 133, 186, 130, 127;
606/181, 185; 604/264, 272, 115,
604/164.01-164.09, 533, 232, 187, 168.01,
604/192, 19, 48, 93.01, 523, 524, 526;
600/101, 139, 143; 128/200.24,
128/207.14, 207.15

See application file for complete search history.

(56) **References Cited**

U.S. PATENT DOCUMENTS

D269,549	S	*	6/1983	Gross	D24/112
D282,008	S	*	12/1985	McFarlane	D24/113
D302,589	S	*	8/1989	McMenamy et al.	D24/112
5,211,644	A	*	5/1993	VanBeek et al.	604/264
D378,405	S		3/1997	Musgrave et al.		
D397,434	S	*	8/1998	Pike	D24/112
D421,119	S		2/2000	Musgrave et al.		
6,027,480	A		2/2000	Davis et al.		
D469,870	S		2/2003	Niermann et al.		
D471,980	S	*	3/2003	Caizza	D24/130
D523,956	S	*	6/2006	Guala	D24/112
D607,100	S	*	12/2009	Uchida et al.	D24/130
7,658,725	B2	*	2/2010	Bialecki et al.	604/164.08

D640,785	S	*	6/2011	Lee	D24/112
D655,406	S	*	3/2012	Ma et al.	D24/112
D669,577	S	*	10/2012	Holsinger	D24/112
D679,803	S	*	4/2013	Carter	D24/112
2005/0090801	A1		4/2005	Racz et al.		

FOREIGN PATENT DOCUMENTS

WO 2005/044335 5/2005

* cited by examiner

Primary Examiner — David Muller

(74) *Attorney, Agent, or Firm* — Louis Woo

(57) **CLAIM**

The ornamental design for a needle assembly, as shown and described.

DESCRIPTION

FIG. 1 is a top view of the needle assembly of the instant invention;

FIG. 2 is the bottom view of the needle assembly of the instant invention;

FIG. 3 is a side view of the needle assembly of the instant invention;

FIG. 4 is another side view of the needle assembly of the instant invention;

FIG. 5 is a rear view of the needle assembly of the instant invention;

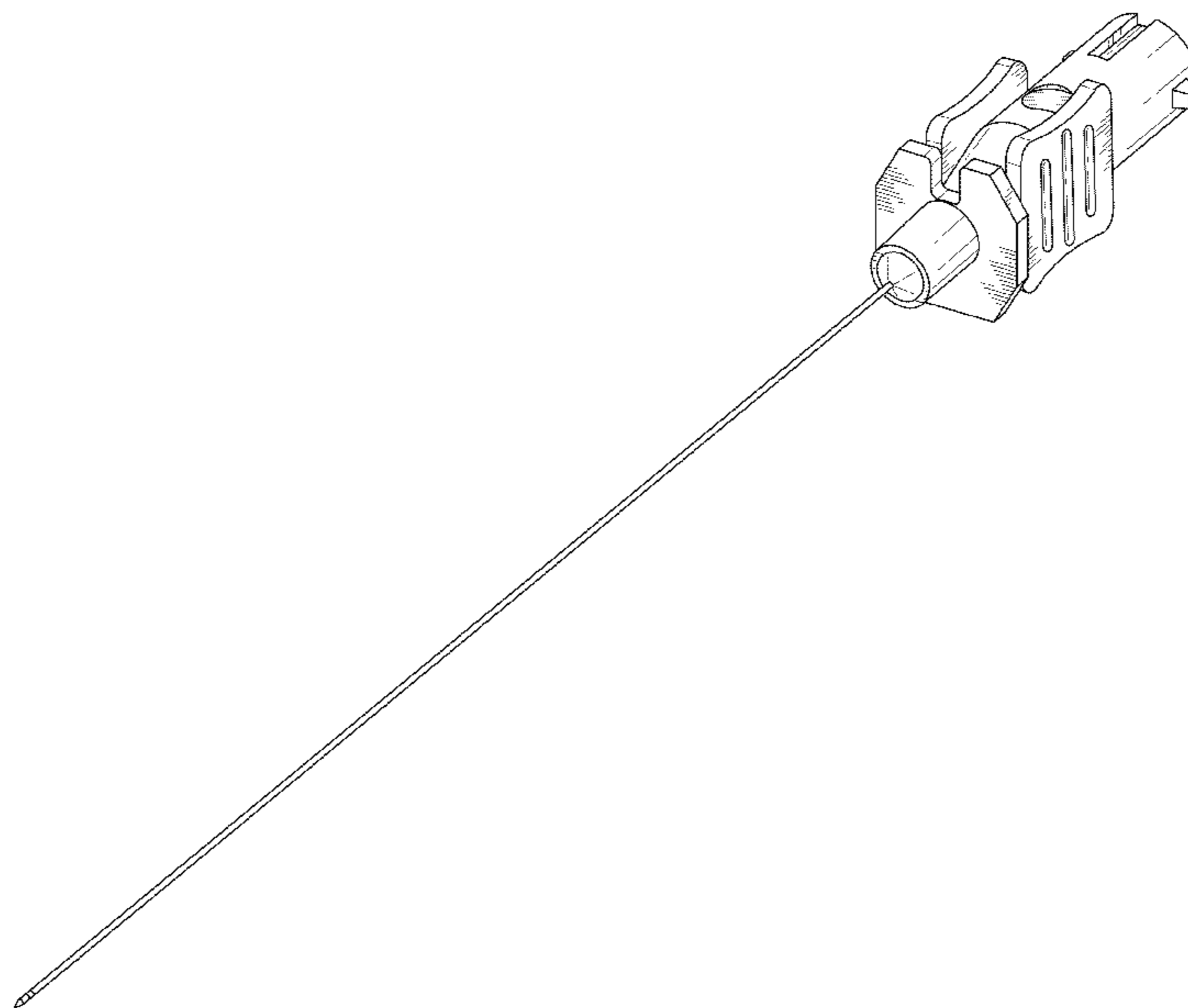
FIG. 6 is a front view of the needle assembly of the instant invention;

FIG. 7 is a perspective view of the needle assembly viewed from front; and,

FIG. 8 is a perspective view of the needle assembly viewed from behind.

The dash dot line immediately adjacent to the claimed area in FIG. 5 represents the boundaries of the claimed design and does not form any part of the claimed design.

1 Claim, 5 Drawing Sheets



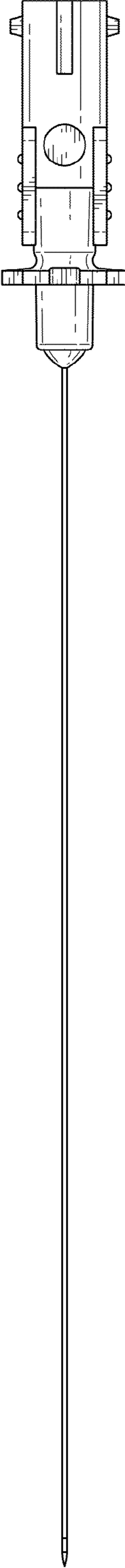


FIG. 1

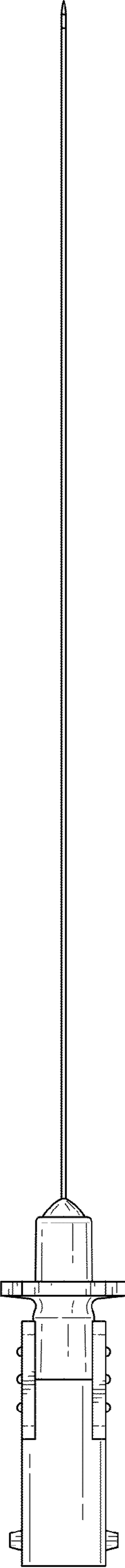


FIG. 2

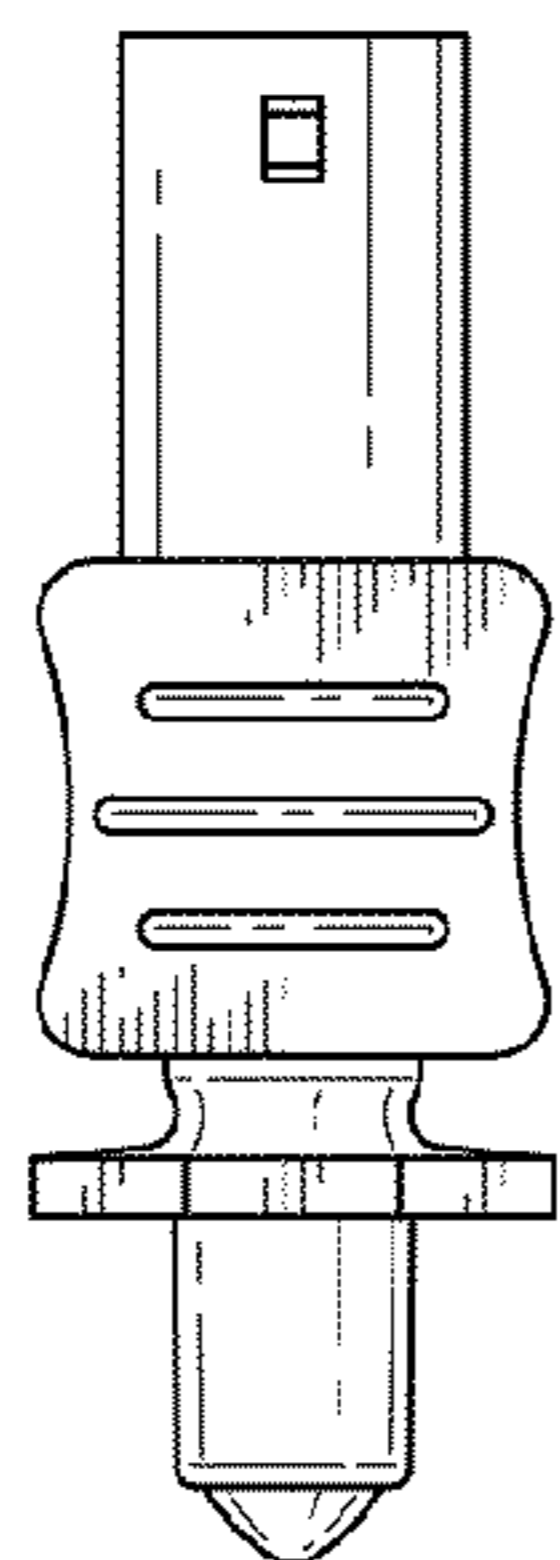


FIG. 3

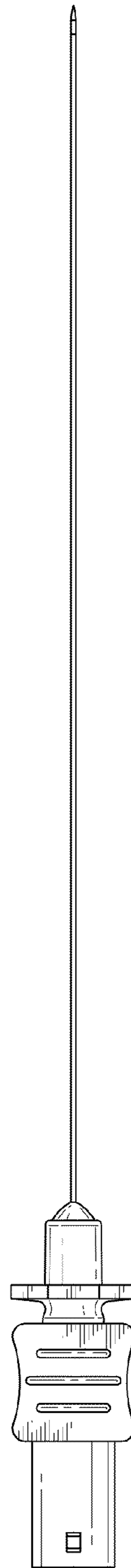


FIG. 4

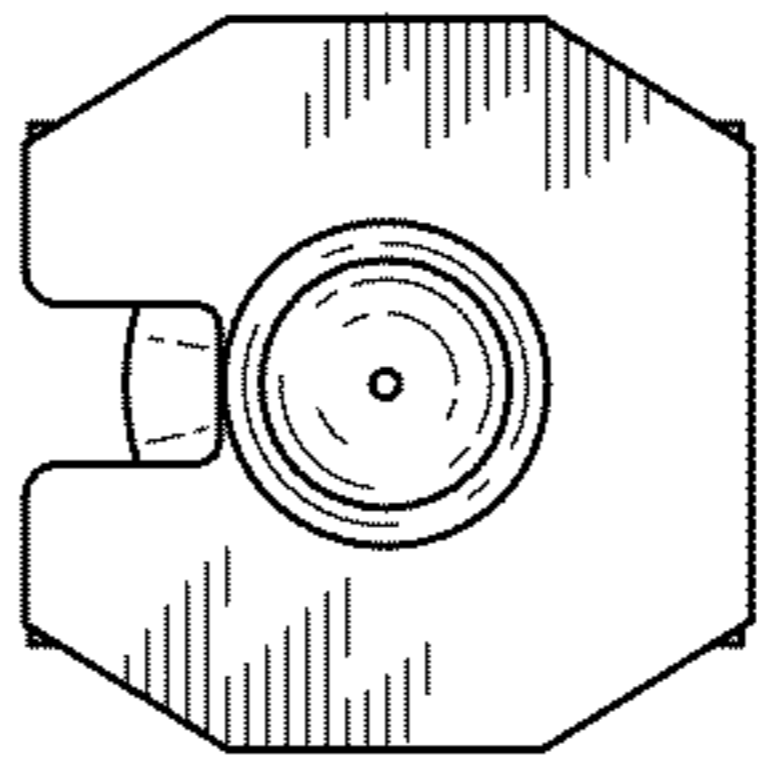


FIG. 6

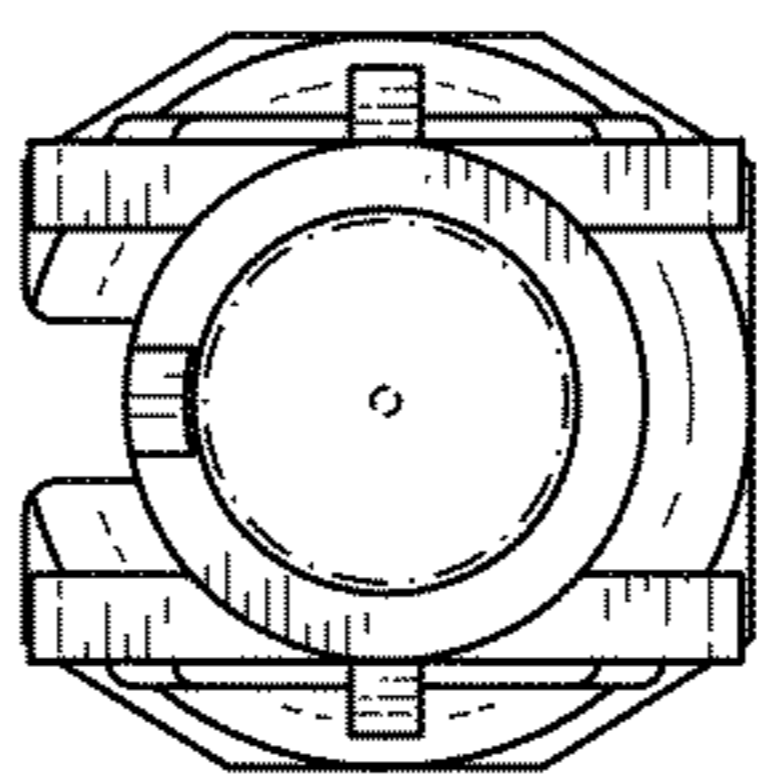


FIG. 5

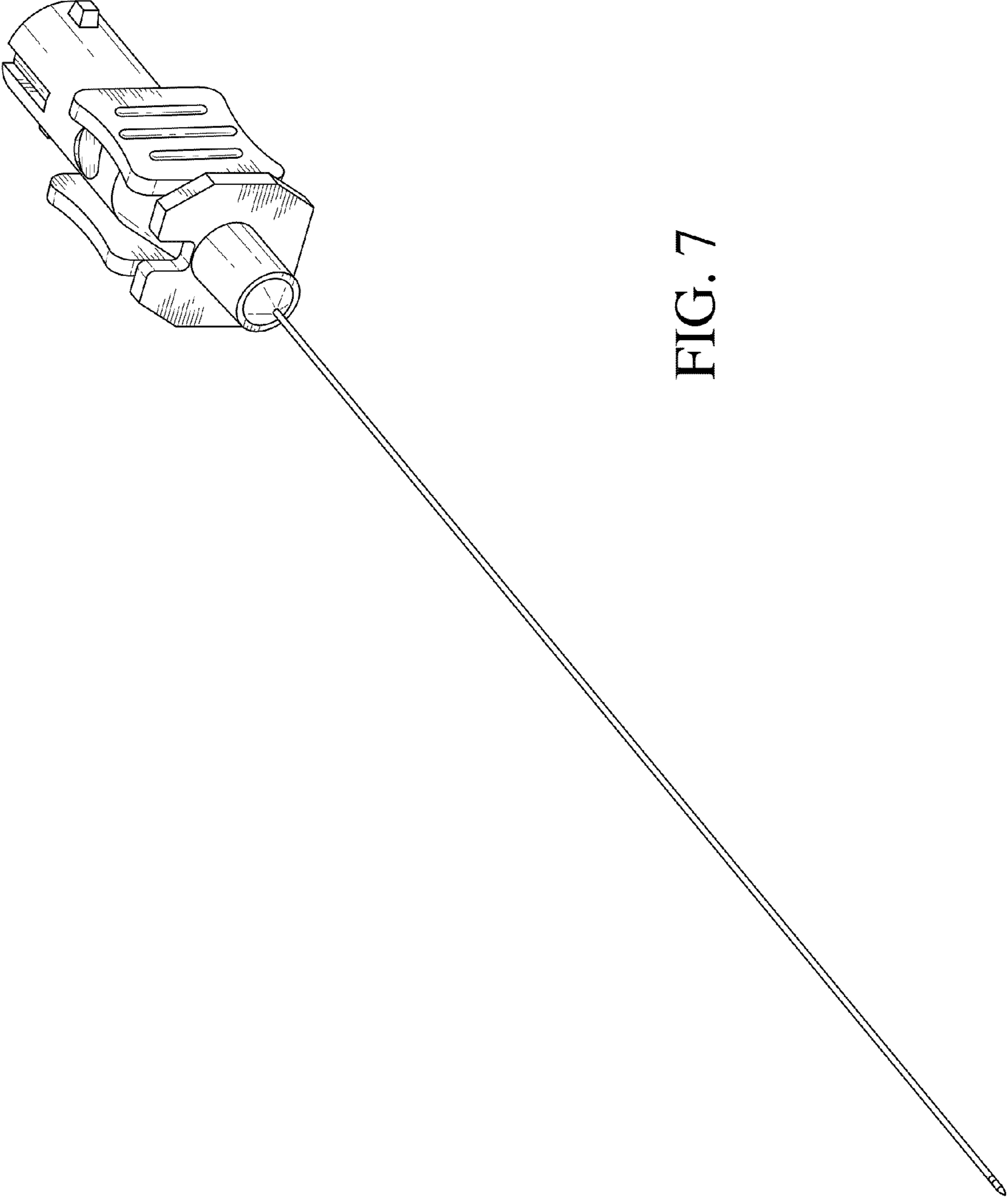


FIG. 7

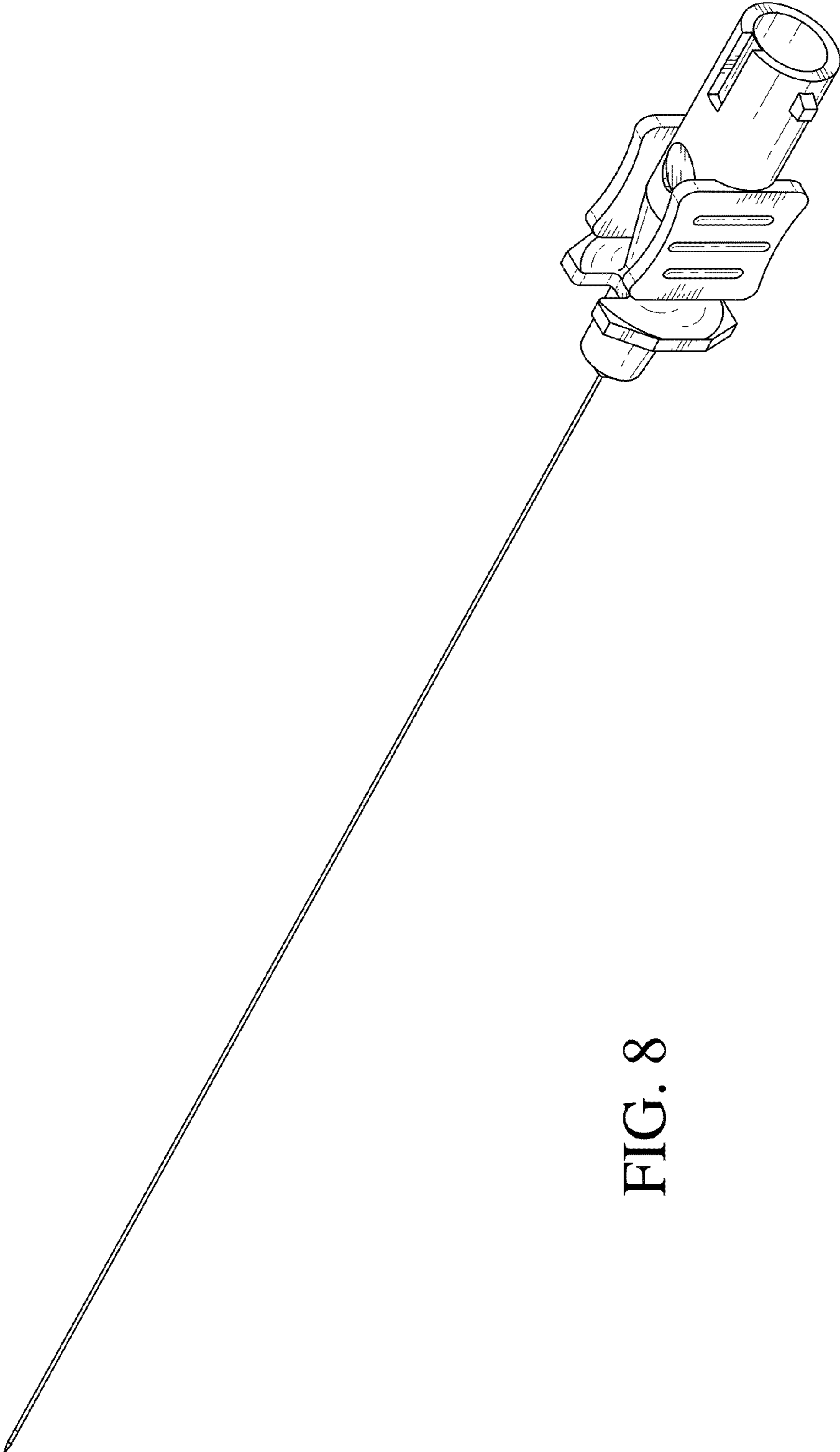


FIG. 8