

US00D699340S

(12) **United States Design Patent**
Amarasinghe et al.

(10) **Patent No.:** **US D699,340 S**

(45) **Date of Patent:** **** Feb. 11, 2014**

(54) **HEADGEAR**

(75) Inventors: **Amal S. Amarasinghe**, West Pennant Hills (AU); **Perry David Lithgow**, Moruya (AU); **Memduh Guney**, Killara (AU)

(73) Assignee: **ResMed Limited**, Bella Vista (AU)

(**) Term: **14 Years**

(21) Appl. No.: **29/409,935**

(22) Filed: **Dec. 30, 2011**

Related U.S. Application Data

(60) Division of application No. 29/347,542, filed on Mar. 1, 2010, now Pat. No. Des. 652,912, which is a continuation of application No. 29/232,935, filed on Jun. 27, 2005, now Pat. No. Des. 649,631, which is a continuation of application No. 29/210,349, filed on Jul. 30, 2004, now Pat. No. Des. 540,940, which is a division of application No. 29/170,553, filed on Nov. 8, 2002, now Pat. No. Des. 496,726.

(51) **LOC (10) Cl.** **29-02**

(52) **U.S. Cl.**
USPC **D24/110.1**

(58) **Field of Classification Search**
USPC D24/110, 110.1-110.5; D16/335;
D2/861, 860, 620, 624-627, 636, 865;
D30/152, 144; 128/207.17, 207.11,
128/205.25, 206.24; 2/8.1, 636; D11/5;
63/3; 40/633
See application file for complete search history.

(56) **References Cited**

U.S. PATENT DOCUMENTS

D34,722 S * 7/1901 Davis D30/134
RE20,211 E 12/1936 Motsinger
D136,320 S * 9/1943 Padgitt D30/134

2,846,683 A * 8/1958 Dye et al. 2/421
3,457,564 A 7/1969 Holloway
3,921,721 A * 11/1975 George 168/4
4,044,400 A * 8/1977 Lewicki et al. 2/421
4,367,735 A 1/1983 Dali et al.
5,117,819 A 6/1992 Servidio et al.
D335,367 S 5/1993 Mieskoski
5,284,469 A 2/1994 Jasen et al.
D351,021 S * 9/1994 Martin D23/309
5,488,948 A 2/1996 Dubruille et al.

(Continued)

FOREIGN PATENT DOCUMENTS

DE 19947722 4/2001
EP 0 747 078 12/1996

(Continued)

OTHER PUBLICATIONS

Amarasinghe et al., Parent Application U.S. Appl. No. 29/347,542, filed Mar. 1, 2010.

(Continued)

Primary Examiner — Michael A Pratt
(74) *Attorney, Agent, or Firm* — Nixon & Vanderhye P.C.

(57) **CLAIM**

The ornamental appearance of a headgear, as shown and described.

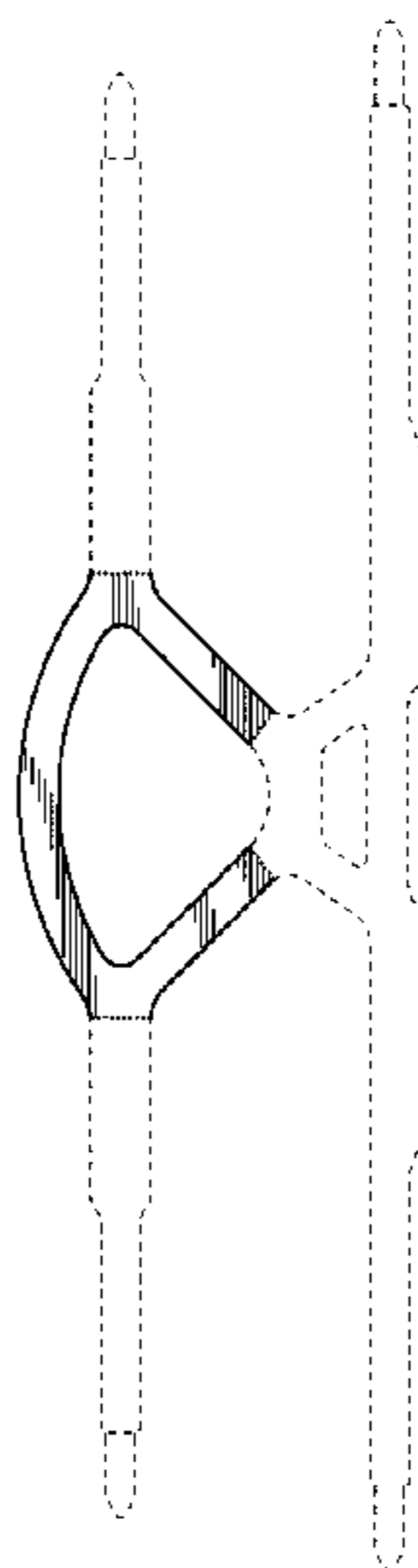
DESCRIPTION

The sole FIGURE is a front elevation view of headgear showing our new design in a flat condition.

The thickness of the headgear forms no part of the claimed design.

The broken lines showing environment or structure of the headgear are for illustrative purposes only and form no part of the claimed design. The dotted lines represent the border between claimed and non-claimed subject matter and form no part of the claimed design.

1 Claim, 1 Drawing Sheet



(56)

References Cited

U.S. PATENT DOCUMENTS

5,490,504 A 2/1996 Vrona et al.
D368,372 S * 4/1996 Dennison D3/327
5,517,986 A 5/1996 Starr et al.
5,529,062 A 6/1996 Byrd et al.
5,542,128 A 8/1996 Lomas
D383,204 S 9/1997 Lomas
D390,704 S * 2/1998 Bloch D3/327
6,081,932 A * 7/2000 Kraemer 2/421
6,105,573 A 8/2000 Delaplane et al.
6,119,693 A 9/2000 Kwok et al.
D440,652 S 4/2001 Pollard
D445,547 S * 7/2001 Howitz et al. D30/145
6,269,814 B1 8/2001 Blaszczykiewicz et al.
6,422,238 B1 7/2002 Lithgow
6,494,207 B1 12/2002 Kwok
6,701,927 B2 3/2004 Kwok et al.
6,772,760 B2 8/2004 Frater et al.
D496,726 S 9/2004 Amarasinghe et al.
6,796,308 B2 9/2004 Gunaratnam et al.
6,805,117 B1 10/2004 Ho et al.
D498,336 S * 11/2004 Hong D30/152
6,854,133 B2 * 2/2005 Lee et al. 2/421
D507,084 S * 7/2005 Sabeh-Azar D30/199
D522,244 S * 6/2006 Toler et al. D3/318
D527,099 S 8/2006 Dantanarayana et al.
D532,511 S 11/2006 Amarasinghe
D532,512 S 11/2006 Amarasinghe
7,188,620 B2 3/2007 Amarasinghe
D540,940 S 4/2007 Amarasinghe et al.
D550,834 S 9/2007 Samaras
D559,976 S 1/2008 Amarasinghe
D560,797 S 1/2008 Carroll et al.
D561,332 S 2/2008 Amarasinghe et al.
D561,892 S 2/2008 Amarasinghe
D594,631 S * 6/2009 Reinisch D2/711
D604,461 S * 11/2009 Goldman et al. D29/122
D617,446 S 6/2010 Amarasinghe et al.
D627,074 S * 11/2010 Ray D24/192

D649,631 S 11/2011 Amarasinghe et al.
D652,912 S 1/2012 Amarasinghe et al.
2002/0174868 A1 11/2002 Kwok et al.
2003/0051732 A1 3/2003 Smith et al.
2003/0196657 A1 10/2003 Ging et al.
2004/0067333 A1 4/2004 Amarasinghe
2004/0112377 A1 6/2004 Amarasinghe et al.
2006/0011202 A1 1/2006 Kwok et al.
2006/0283457 A1 12/2006 Woodard et al.
2006/0283461 A1 12/2006 Lubke et al.
2007/0089219 A1 * 4/2007 Trainor et al. 2/421
2007/0169777 A1 7/2007 Amarasinghe

FOREIGN PATENT DOCUMENTS

EP 1020201 7/2000
EP 1 057 494 12/2000
FR 2 618 340 A 1/1989
JP 10-314307 12/1998
WO WO 96/25983 8/1996
WO WO 98/48878 11/1998
WO WO 02/47749 6/2002

OTHER PUBLICATIONS

Supplementary European Search Report for EP 01270356.7 mailed Feb. 3, 2006, 3 pages.
Amarasinghe, U.S. Appl. No. 11/701,362, filed Feb. 2, 2007.
Amarasinghe et al., U.S. Appl. No. 29/274,042, filed Mar. 23, 2007.
Amarasinghe et al., U.S. Appl. No. 29/290,442, filed Dec. 5, 2007.
Amarasinghe, U.S. Appl. No. 29/290,244, filed Nov. 8, 2007.
Amarasinghe, U.S. Appl. No. 29/290,276, filed Nov. 14, 2007.
European Office Action for EP Appln 01 270 356.7, mailed Jun. 11, 2007, 3 pages.
U.S. Appl. No. 60/293,992, filed May 30, 2001, Frater et al.
U.S. Appl. No. 60/219,618, filed Jul. 21, 2000, Frater et al.
U.S. Appl. No. 60/213,251, filed Jun. 22, 2000, Frater et al.
Amarasinghe et al., U.S. Appl. No. 60/254,537, filed Dec. 12, 2000.
Amarasinghe, U.S. Appl. No. 29/347,476, filed Feb. 2, 2010.

* cited by examiner

