



US00D699339S

(12) **United States Design Patent**
Wang

(10) **Patent No.:** **US D699,339 S**

(45) **Date of Patent:** **** Feb. 11, 2014**

(54) **CEILING FAN LIGHT KIT**

(75) Inventor: **Cliff Wang**, Taichung (TW)

(73) Assignee: **Air Cool Industrial Co., Ltd.**, Taichung (TW)

(**) Term: **14 Years**

(21) Appl. No.: **29/425,053**

(22) Filed: **Jun. 19, 2012**

(51) **LOC (10) Cl.** **24-04**

(52) **U.S. Cl.**
USPC **D23/385**

(58) **Field of Classification Search**
USPC D23/385, 379, 377; D26/377, 24-156;
416/5; 392/364, 361, 362; 362/96, 294;
417/423.14

See application file for complete search history.

(56) **References Cited**

U.S. PATENT DOCUMENTS

D382,079 S *	8/1997	Porter	D26/87
D383,239 S *	9/1997	Porter	D26/87
D428,982 S *	8/2000	Oldenburg	D23/377
D429,363 S *	8/2000	Hsieh	D26/87
D435,289 S *	12/2000	Liu	D23/411
D436,418 S *	1/2001	Porter	D26/80
D449,372 S *	10/2001	Gajewski	D23/377
D449,682 S *	10/2001	Gajewski	D23/411
D464,722 S *	10/2002	Sonneman	D23/377
D478,184 S *	8/2003	DiPasquale et al.	D26/67

D482,805 S *	11/2003	Wrob	D26/25
D502,770 S *	3/2005	Hidalgo	D23/377
D510,622 S *	10/2005	Tai	D23/411
D516,200 S *	2/2006	Pickett	D23/411
D517,197 S *	3/2006	Pickett	D23/411
D533,677 S *	12/2006	Broughton et al.	D26/87
D537,966 S *	3/2007	Lo et al.	D26/40
D541,973 S *	5/2007	Dolan	D26/87
D559,425 S *	1/2008	Porter	D26/87
D565,226 S *	3/2008	Gou	D26/67

* cited by examiner

Primary Examiner — Eric Goodman

Assistant Examiner — Ryan Harvey

(74) *Attorney, Agent, or Firm* — Ming Chow; Sinorica, LLC

(57) **CLAIM**

I claim the ornamental design for a ceiling fan light kit, as shown and described.

DESCRIPTION

FIG. 1 is a front perspective view of a ceiling fan light kit showing my new design;

FIG. 2 is a front elevational view thereof;

FIG. 3 is a rear elevational view thereof.

FIG. 4 is a left side elevational view thereof;

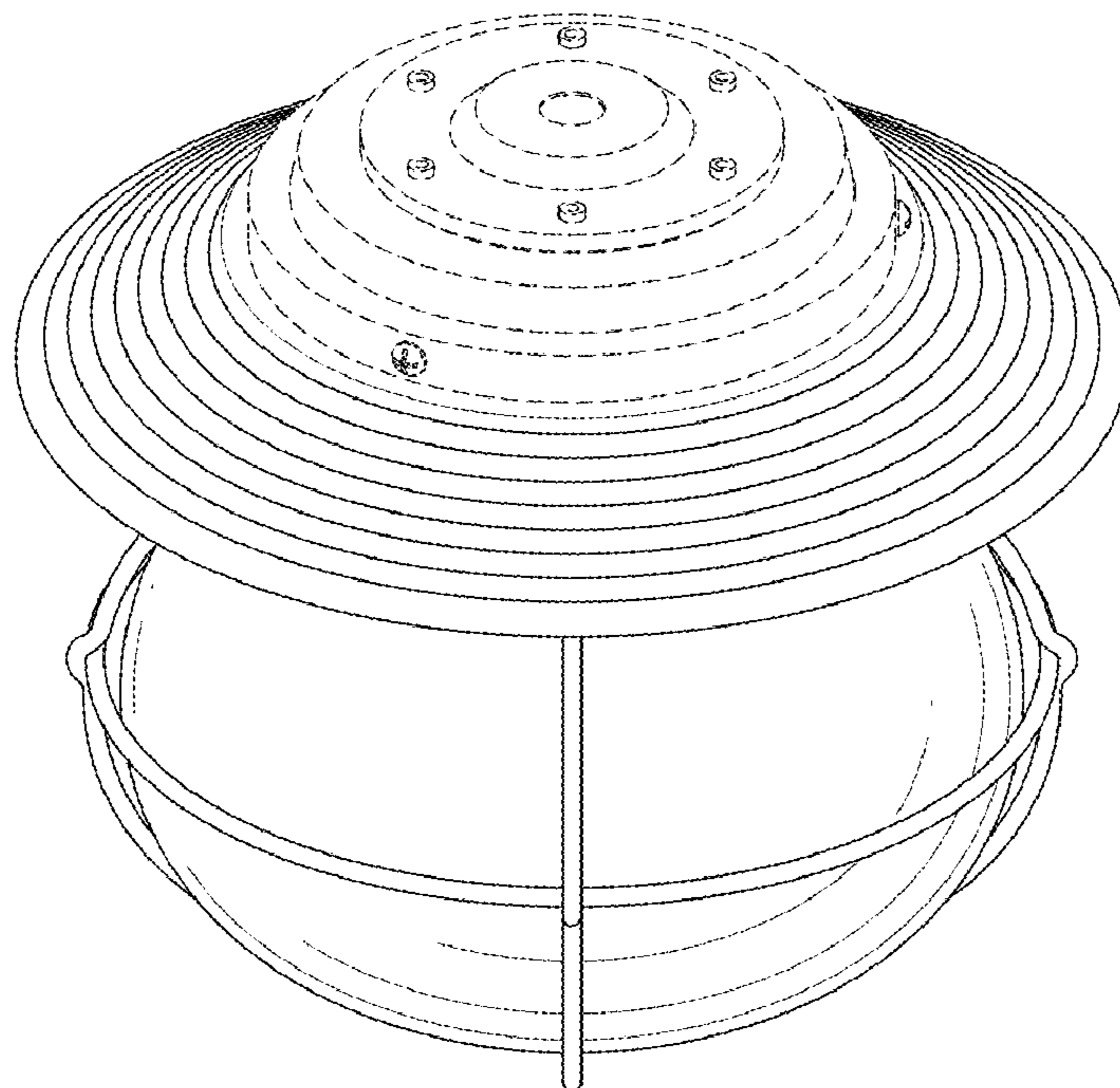
FIG. 5 is a right side elevational view thereof;

FIG. 6 is a top plan view thereof; and,

FIG. 7 is a bottom plan view thereof.

The broken line showing is included for the purpose of illustrating portions of the article and forms no part of the claimed design.

1 Claim, 4 Drawing Sheets



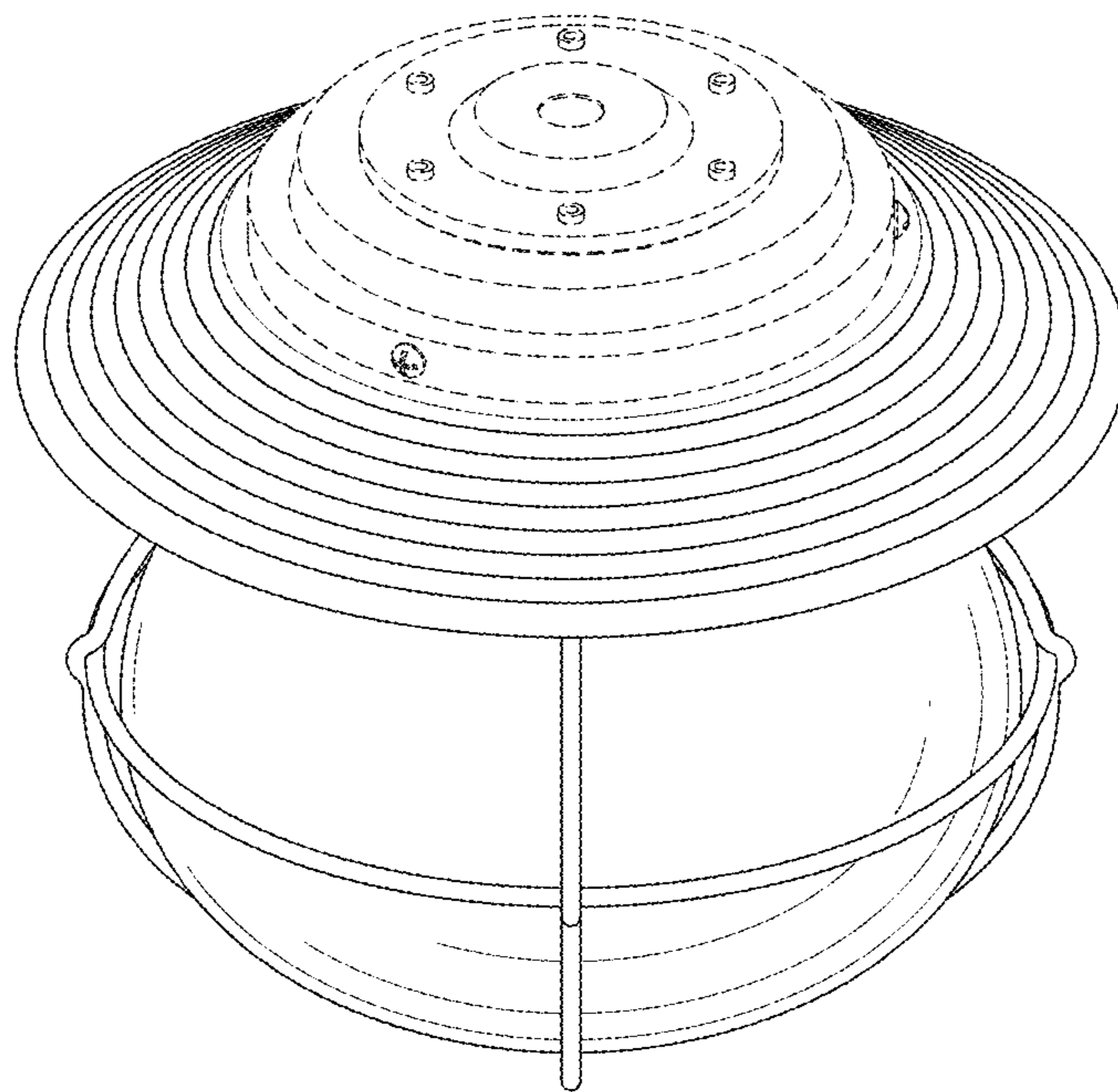


FIG. 1

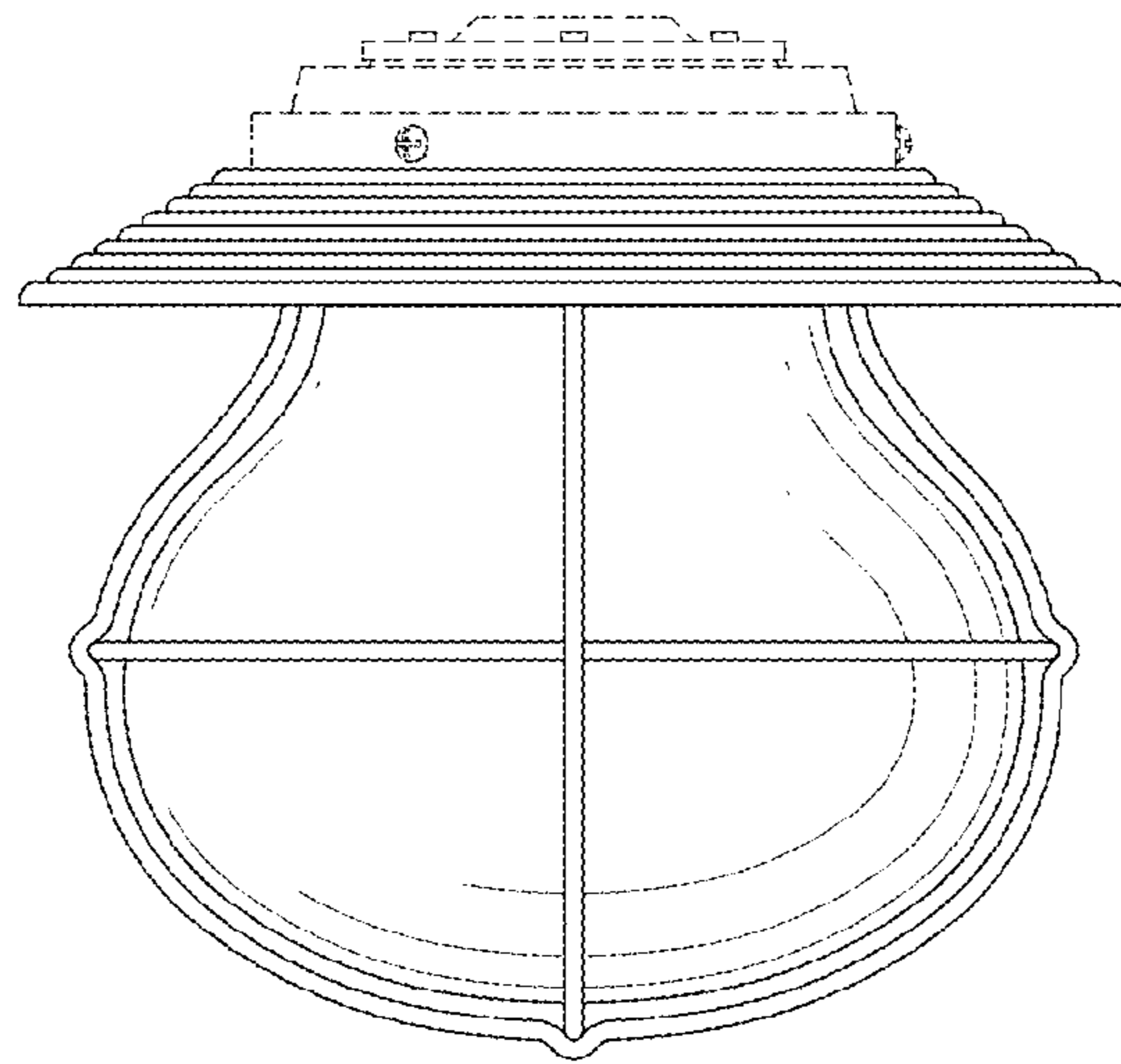


FIG. 2

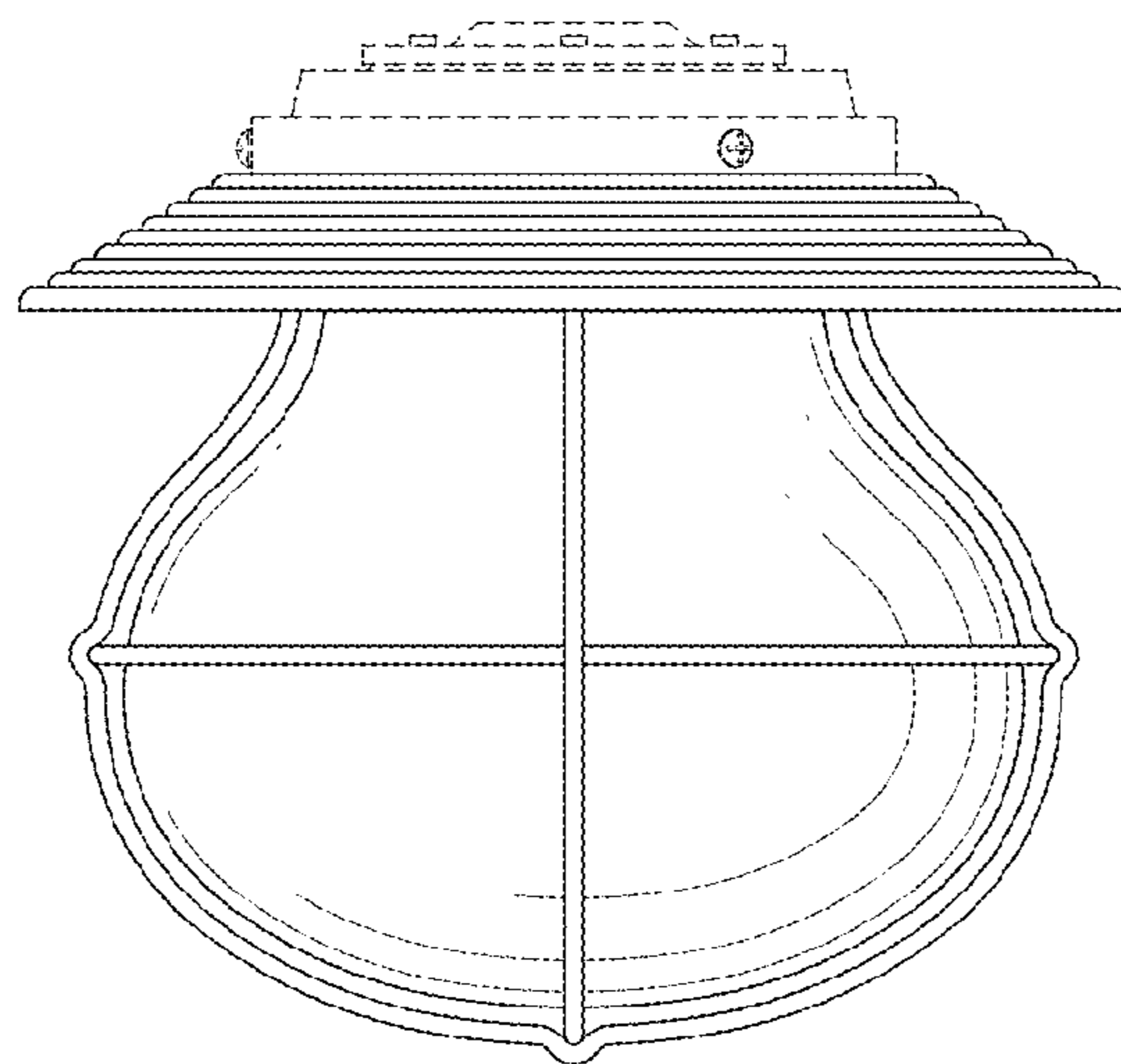


FIG. 3

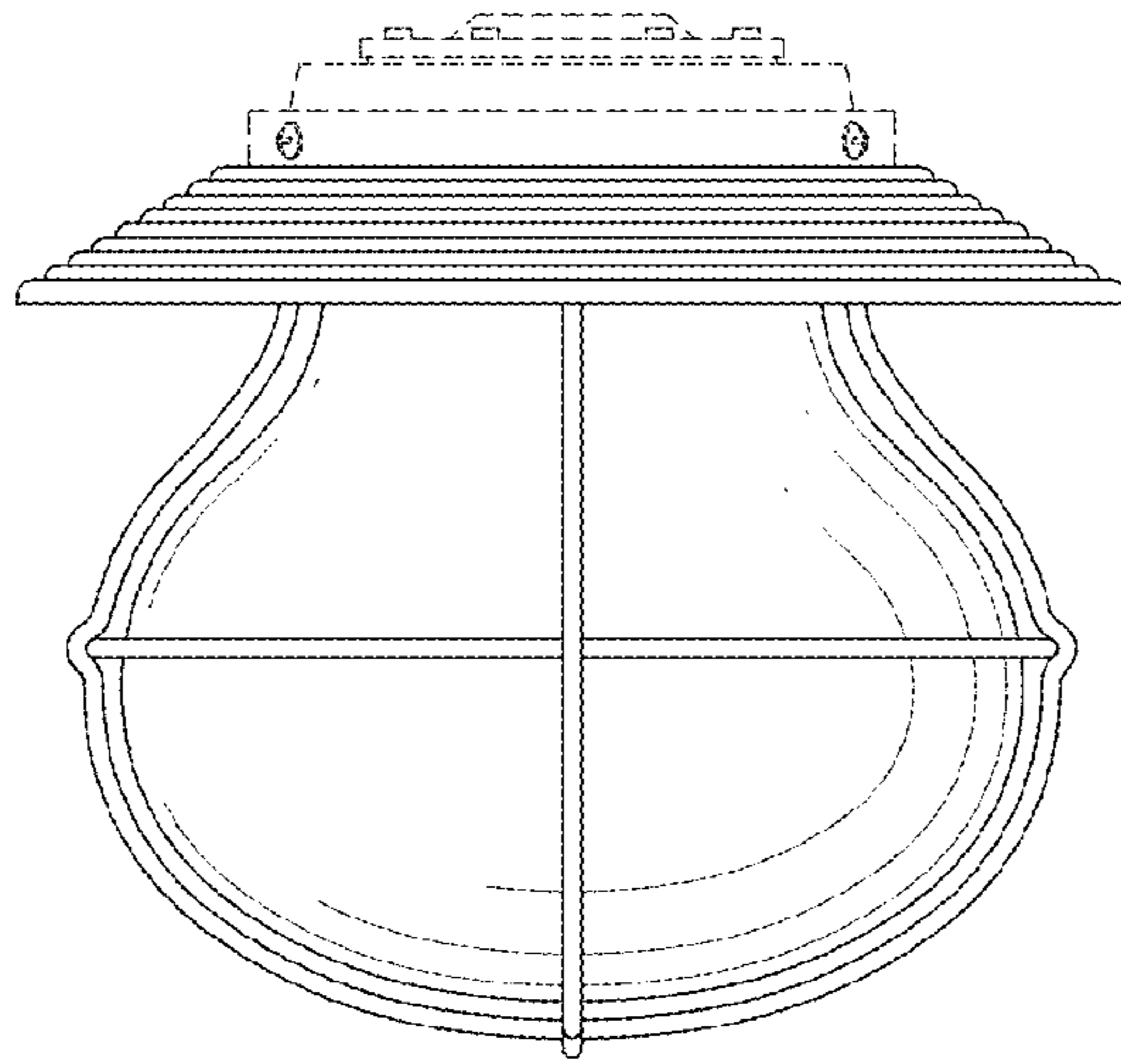


FIG. 4

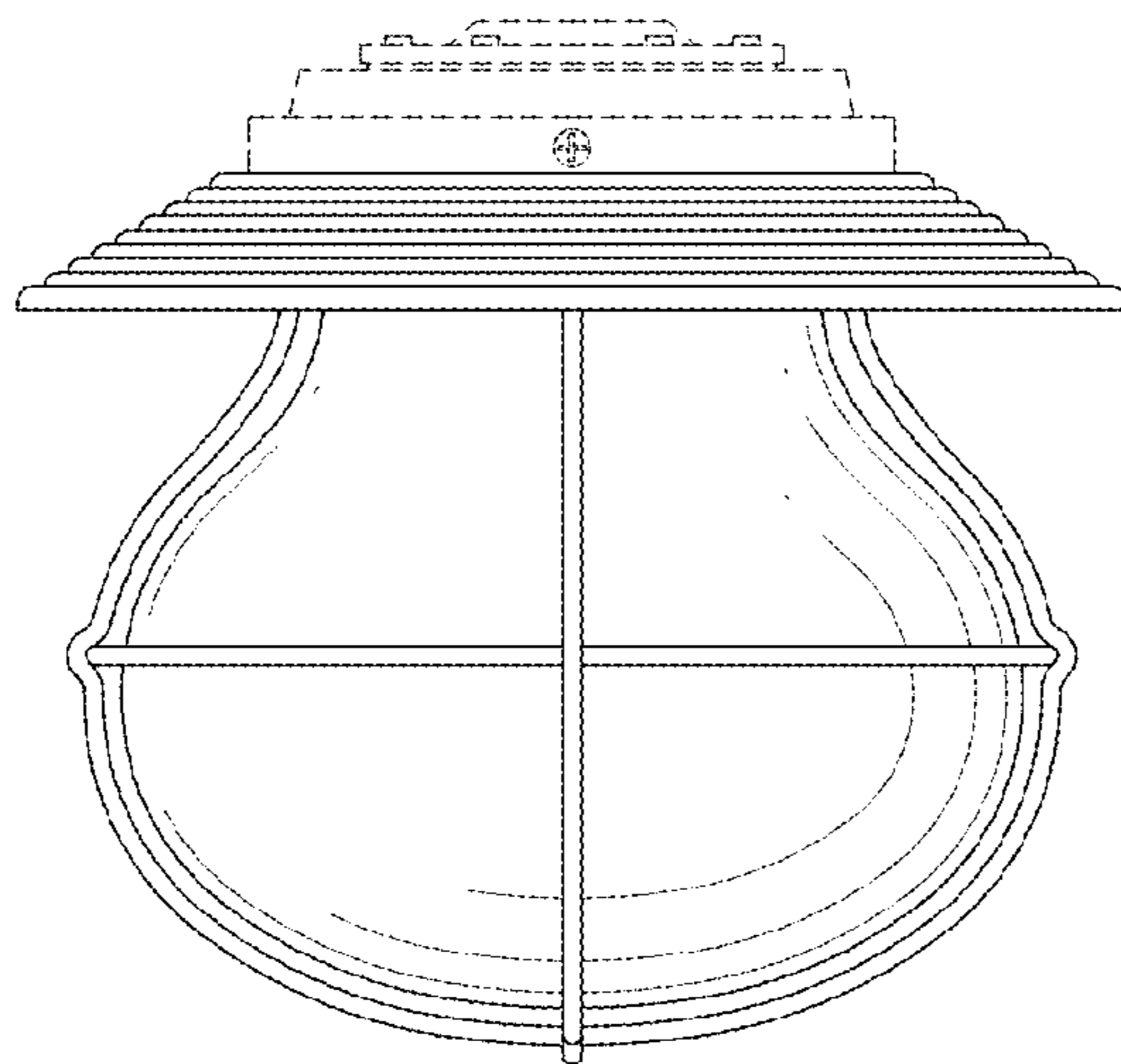


FIG. 5

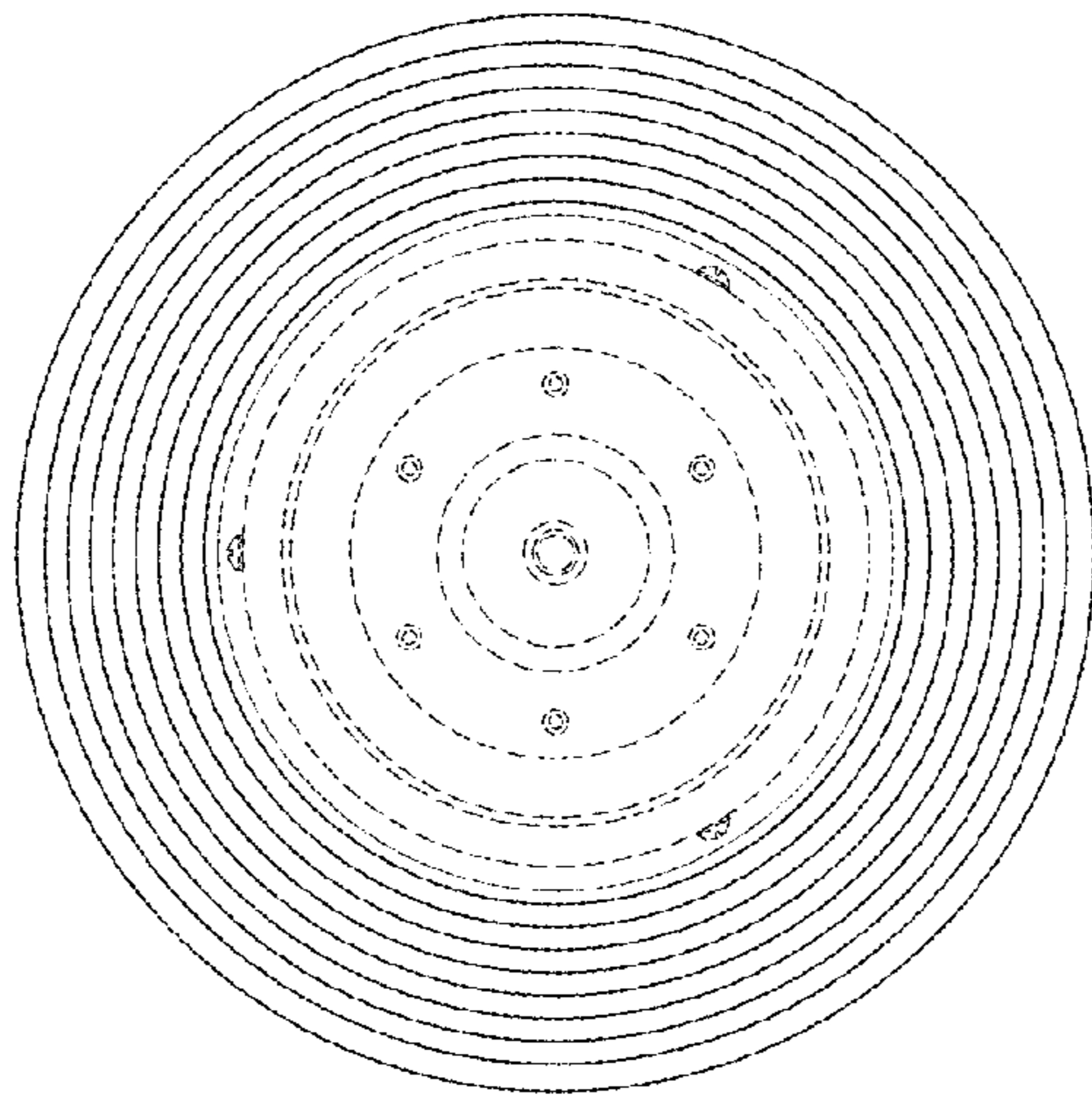


FIG. 6

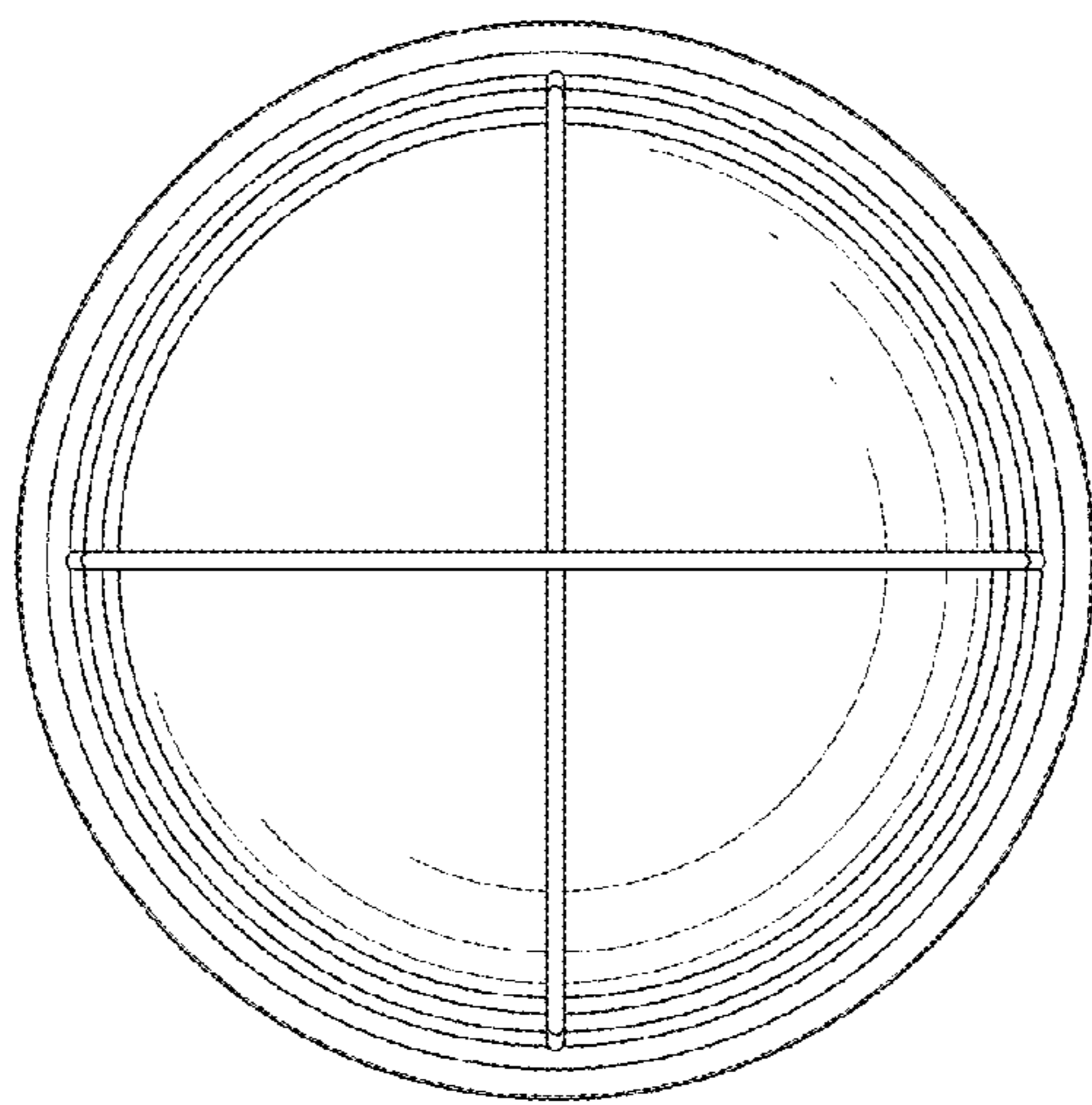


FIG. 7