

US00D699338S

(12) **United States Design Patent**  
**Wang**

(10) **Patent No.:** **US D699,338 S**

(45) **Date of Patent:** **\*\* Feb. 11, 2014**

(54) **FAN BLADE BRACKET**

(75) Inventor: **Cliff Wang**, Taichung (TW)

(73) Assignee: **Air Cool Industrial Co., Ltd.**, Taichung (TW)

(\*\*) Term: **14 Years**

(21) Appl. No.: **29/425,036**

(22) Filed: **Jun. 19, 2012**

(51) **LOC (10) Cl.** ..... **23-04**

(52) **U.S. Cl.**  
USPC ..... **D23/385**

(58) **Field of Classification Search**  
USPC ..... D23/377-413; D8/350-355, 324, 331,  
D8/343; D6/300-513; 310/91, 348;  
416/210 R, 5; D26/24-156; D11/115  
See application file for complete search history.

(56) **References Cited**

**U.S. PATENT DOCUMENTS**

D527,454 S	*	8/2006	Hidalgo	.....	D23/411
D532,104 S	*	11/2006	Pickett	.....	D23/411
D568,983 S	*	5/2008	Pan	.....	D23/411
D569,963 S	*	5/2008	Pan	.....	D23/411
D573,245 S	*	7/2008	Pan	.....	D23/411
D594,549 S	*	6/2009	Pan	.....	D23/411
D594,550 S	*	6/2009	Pan	.....	D23/411
D614,283 S	*	4/2010	Ertze	.....	D23/411

D626,210 S	*	10/2010	Searle	.....	D23/411
D627,054 S	*	11/2010	Pan	.....	D23/411
D627,872 S	*	11/2010	Pan	.....	D23/411
D649,238 S	*	11/2011	Passauer, III	.....	D23/411
D671,634 S	*	11/2012	Glasbrenner	.....	D23/411

\* cited by examiner

*Primary Examiner* — Eric Goodman

*Assistant Examiner* — Ryan Harvey

(74) *Attorney, Agent, or Firm* — Ming Chow; Sinorica, LLC

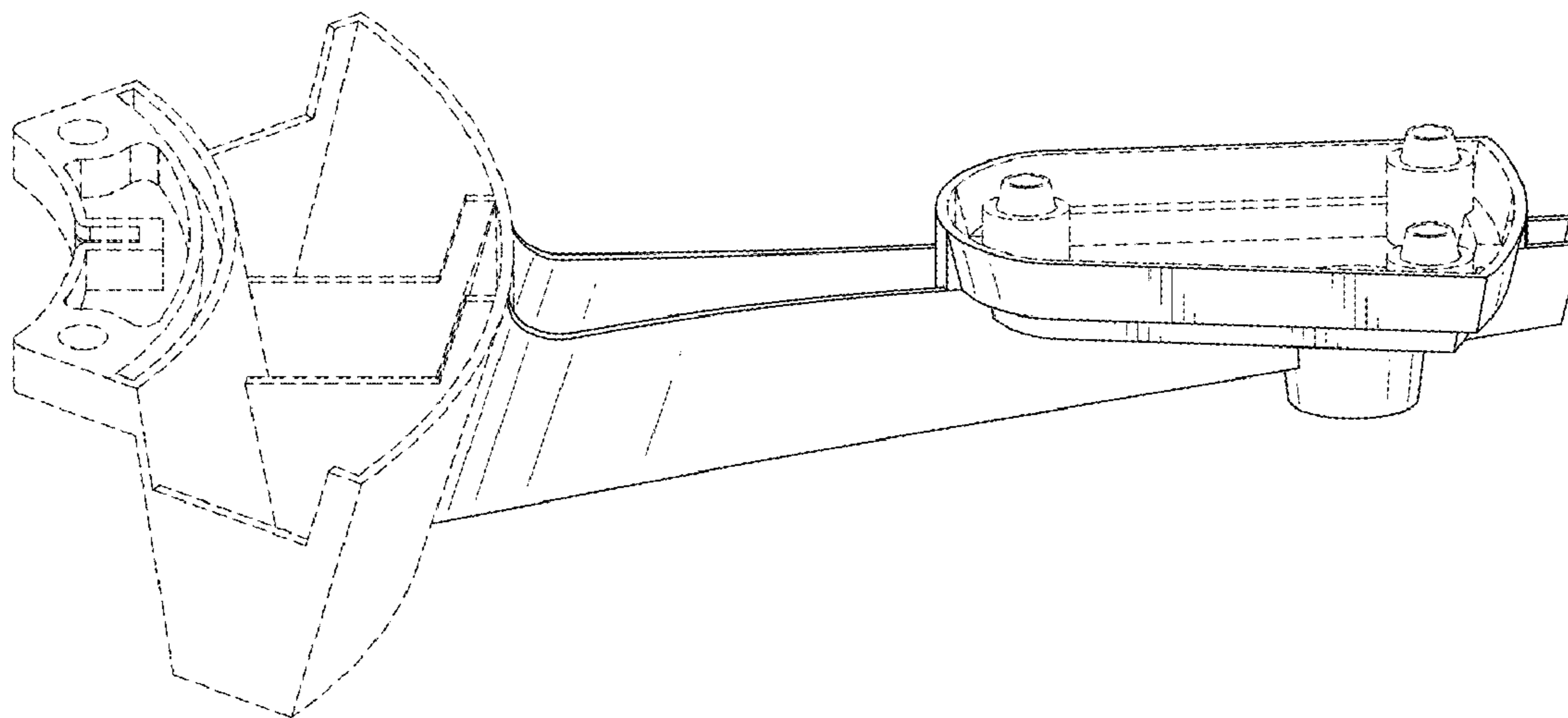
(57) **CLAIM**

I claim the ornamental design for a fan blade bracket, as shown and described.

**DESCRIPTION**

FIG. 1 is a front perspective view of a fan blade bracket showing my new design;  
FIG. 2 is a front elevational view thereof;  
FIG. 3 is a rear elevational view thereof.  
FIG. 4 is a left side elevational view thereof;  
FIG. 5 is a right side elevational view thereof;  
FIG. 6 is a top plan view thereof; and,  
FIG. 7 is a bottom plan view thereof.  
The broken line showing is included for the purpose of illustrating portions of the article and forms no part of the claimed design.

**1 Claim, 5 Drawing Sheets**



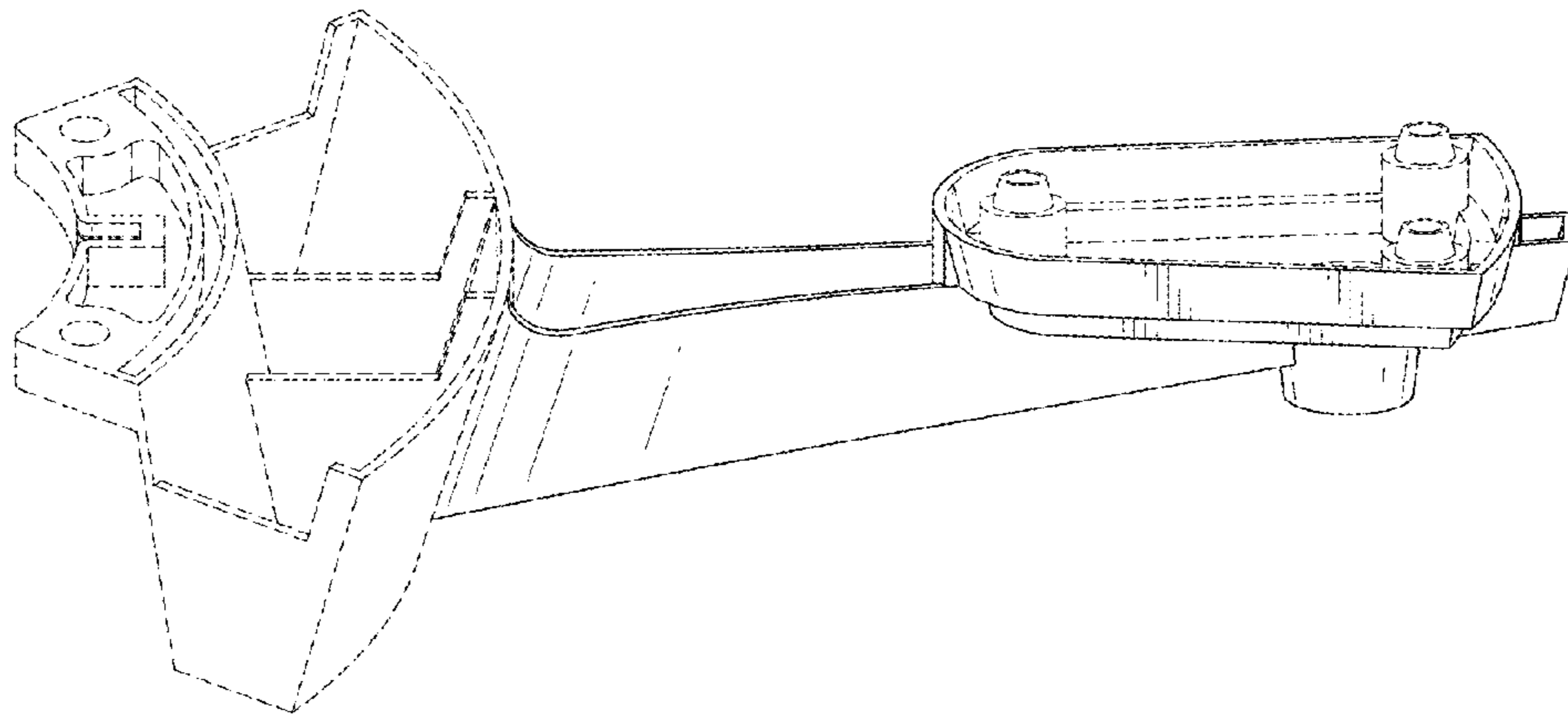


FIG. 1

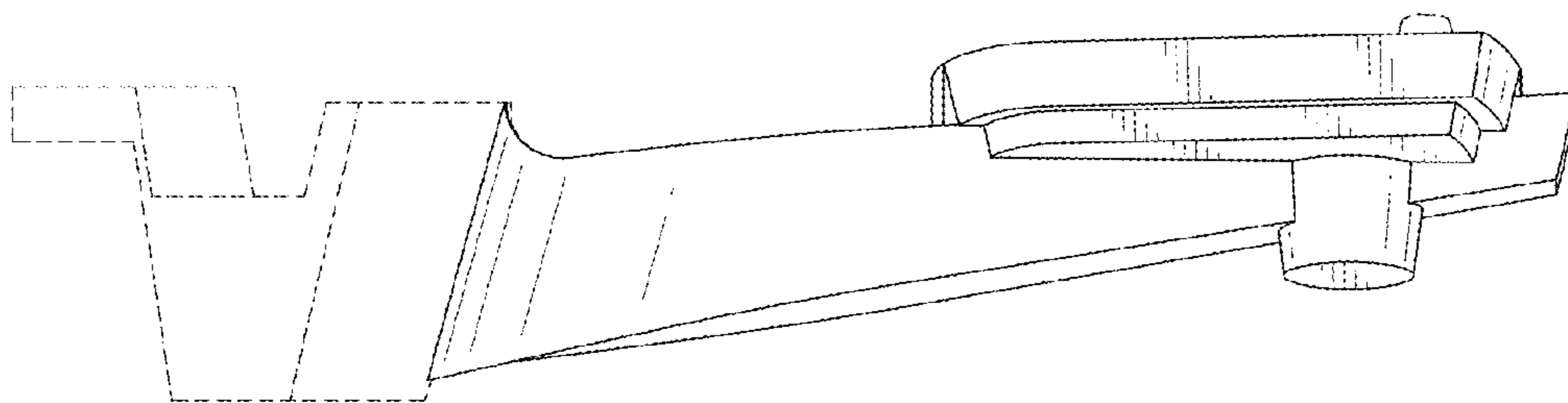


FIG. 2

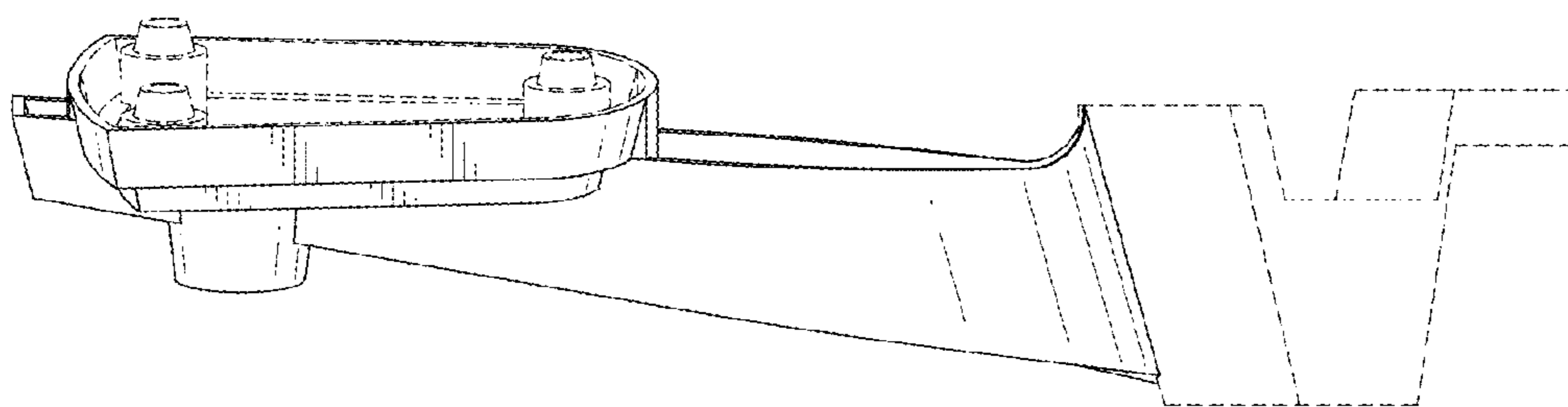


FIG. 3

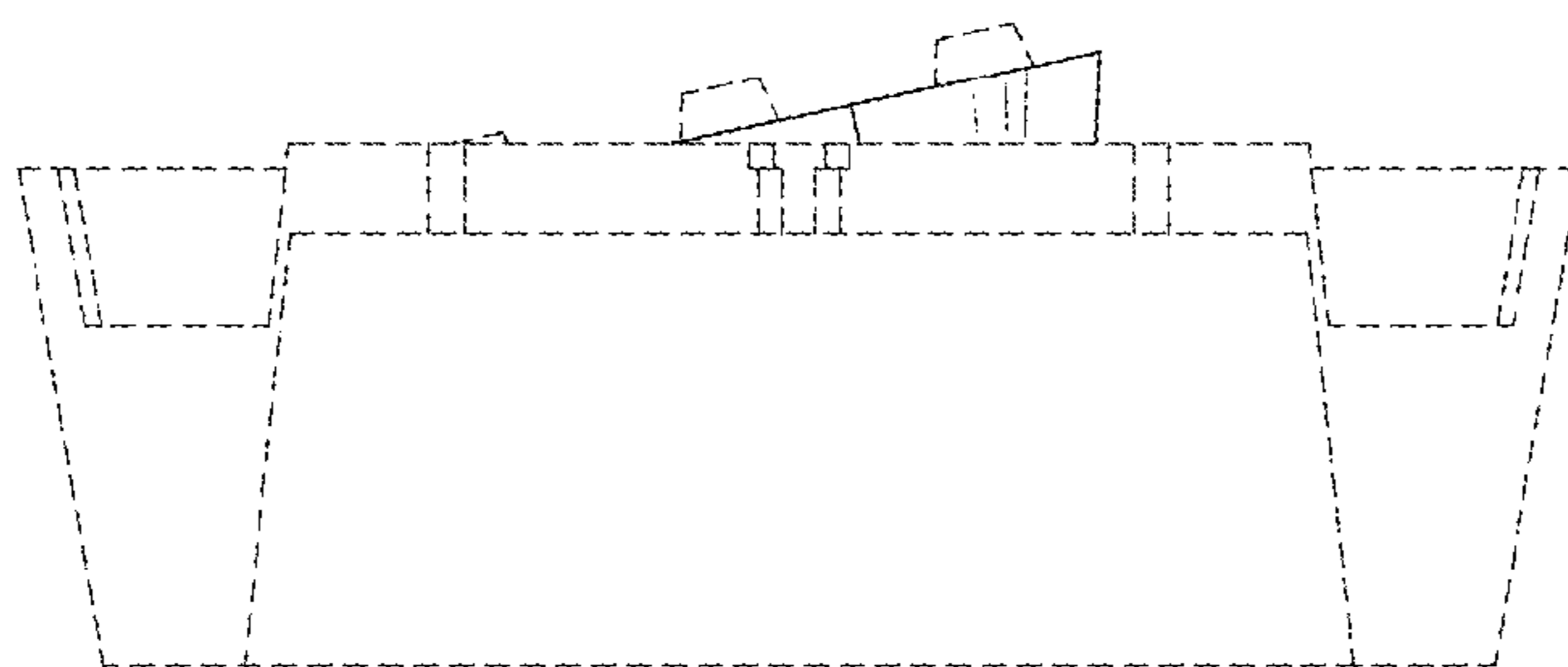


FIG. 4

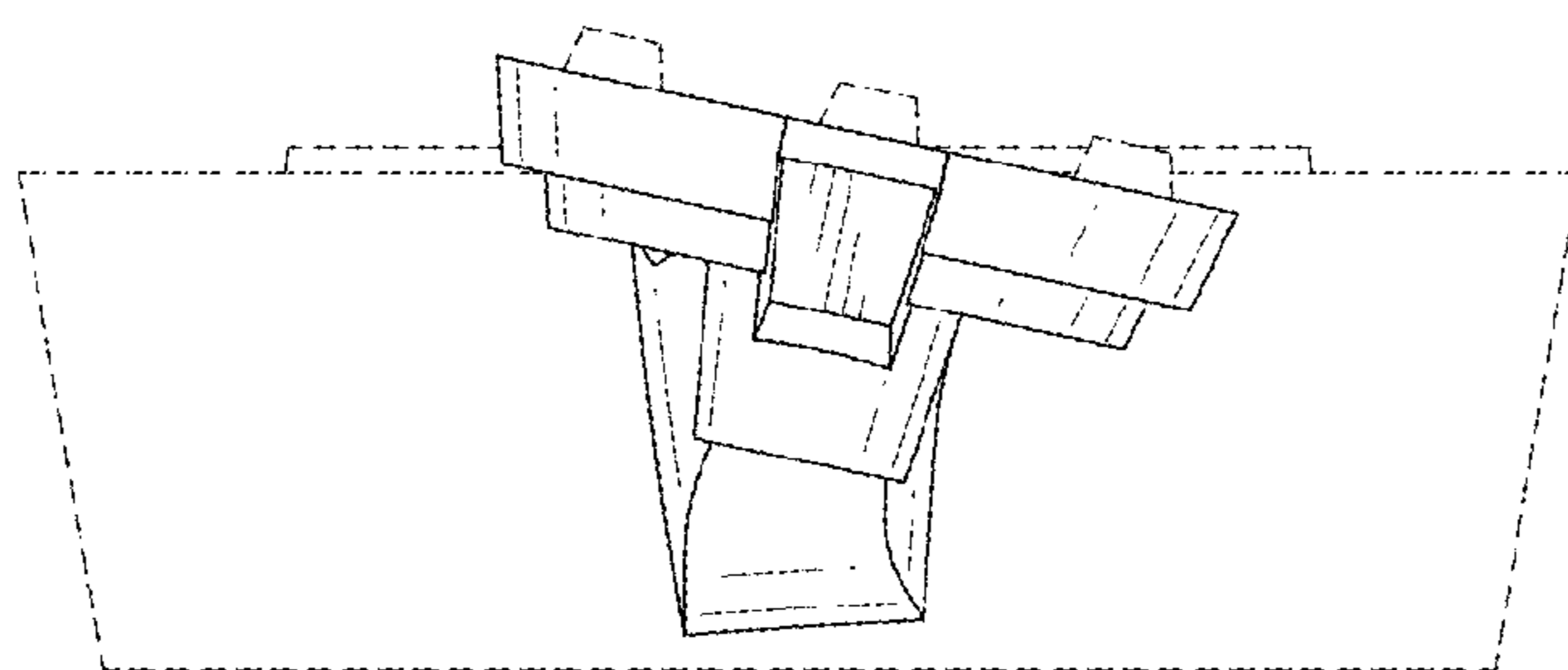


FIG. 5

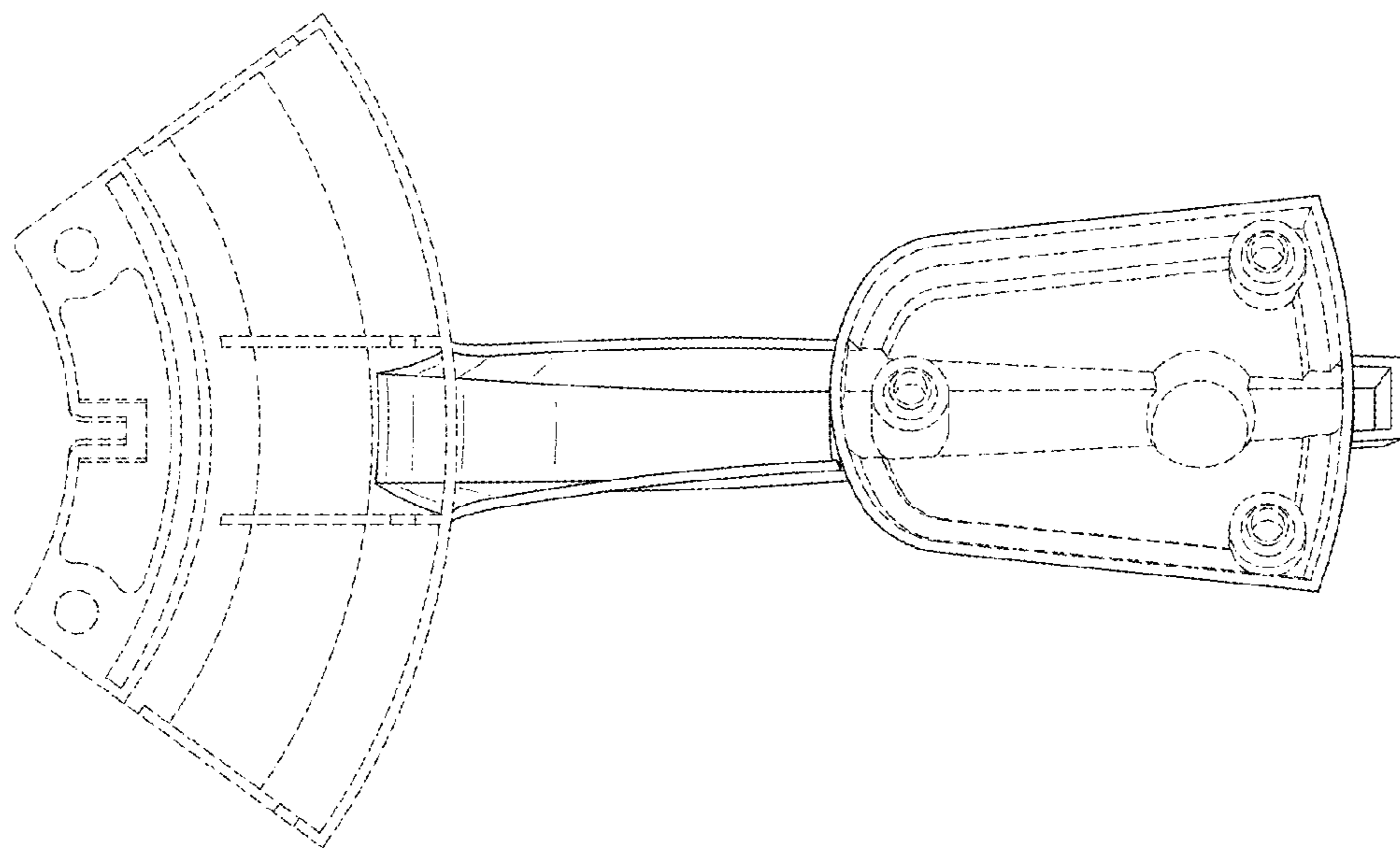


FIG. 6

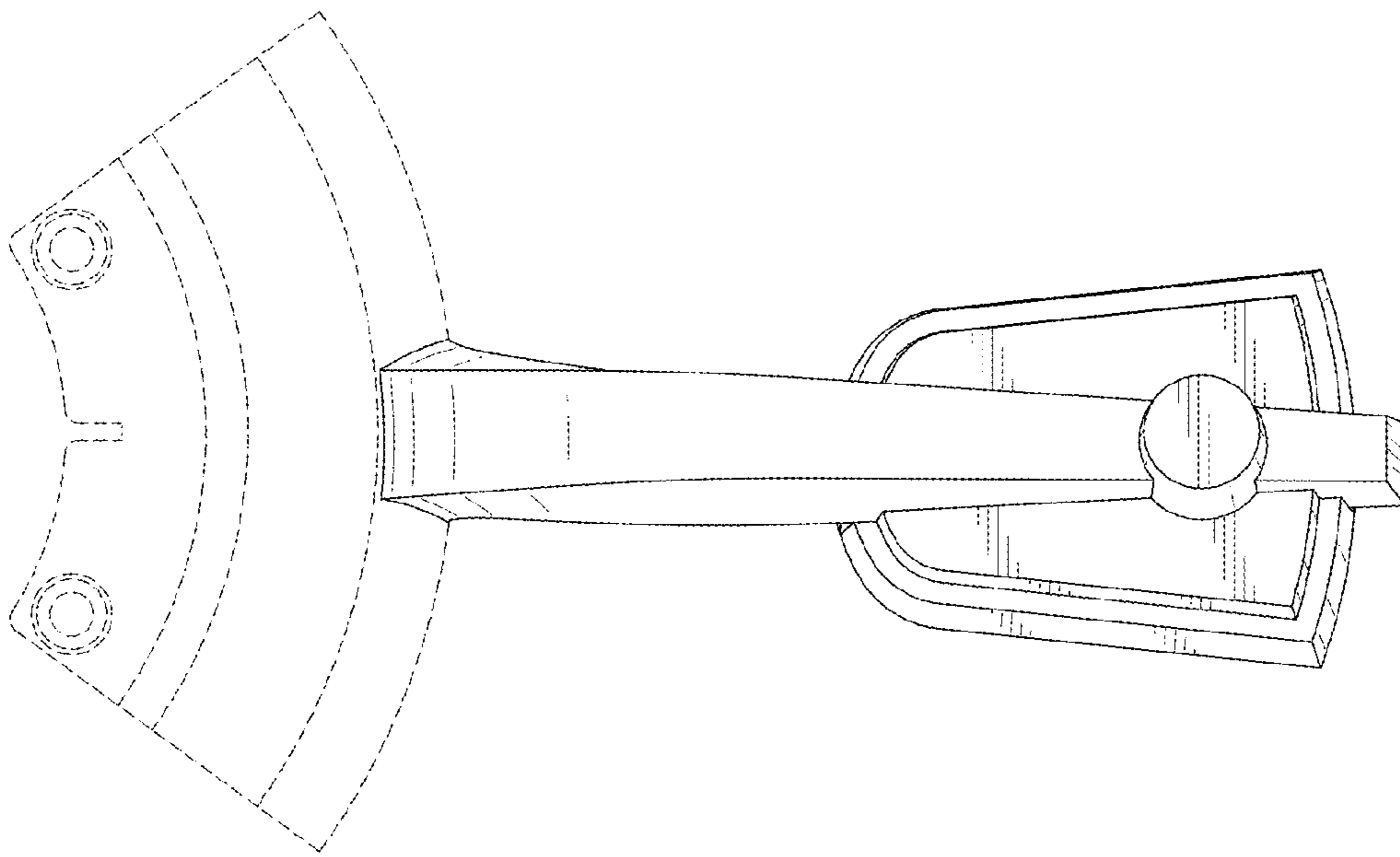


FIG. 7