



US00D699337S

(12) **United States Design Patent**  
**Wang**

(10) **Patent No.:** **US D699,337 S**

(45) **Date of Patent:** **\*\* Feb. 11, 2014**

(54) **FAN BLADE BRACKET**

(75) Inventor: **Cliff Wang**, Taichung (TW)

(73) Assignee: **Air Cool Industrial Co., Ltd.**, Taichung (TW)

(\*\*) Term: **14 Years**

(21) Appl. No.: **29/425,034**

(22) Filed: **Jun. 19, 2012**

(51) **LOC (10) Cl.** ..... **23-04**

(52) **U.S. Cl.**  
USPC ..... **D23/385**

(58) **Field of Classification Search**  
USPC ..... D23/377-413; D8/350-355, 324, 331,  
D8/343; D6/300-513; D26/24-156;  
310/91, 348; 416/210 R, 5; D11/115  
See application file for complete search history.

(56) **References Cited**

**U.S. PATENT DOCUMENTS**

D527,454 S	*	8/2006	Hidalgo	.....	D23/411
D532,104 S	*	11/2006	Pickett	.....	D23/411
D568,983 S	*	5/2008	Pan	.....	D23/411
D569,963 S	*	5/2008	Pan	.....	D23/411
D573,245 S	*	7/2008	Pan	.....	D23/411
D594,549 S	*	6/2009	Pan	.....	D23/411
D594,550 S	*	6/2009	Pan	.....	D23/411
D614,283 S	*	4/2010	Ertze	.....	D23/411
D626,210 S	*	10/2010	Searle	.....	D23/411

D627,054 S	*	11/2010	Pan	.....	D23/411
D627,872 S	*	11/2010	Pan	.....	D23/411
D649,238 S	*	11/2011	Passauer, III	.....	D23/411
D671,634 S	*	11/2012	Glasbrenner	.....	D23/411

\* cited by examiner

*Primary Examiner* — Eric Goodman

*Assistant Examiner* — Ryan Harvey

(74) *Attorney, Agent, or Firm* — Ming Chow; Sinorica, LLC

(57) **CLAIM**

I claim the ornamental design for a fan blade bracket, as shown and described.

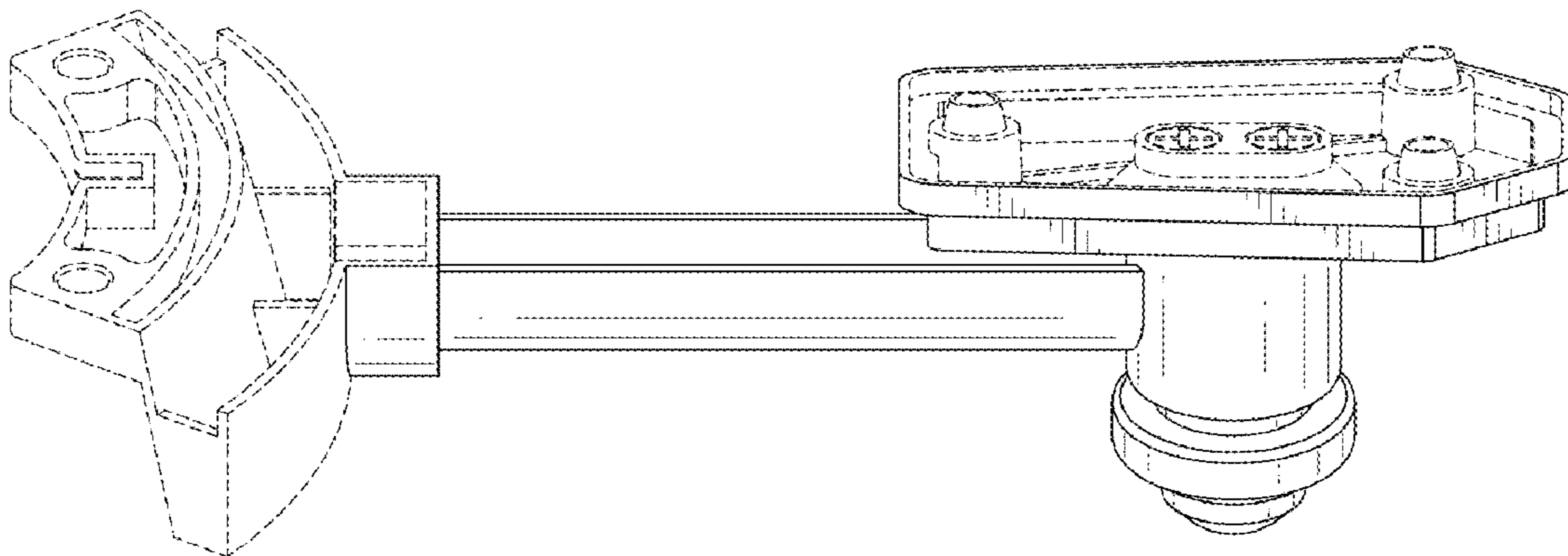
**DESCRIPTION**

FIG. 1 is a front perspective view of a fan blade bracket showing my new design;  
FIG. 2 is a front elevational view thereof;  
FIG. 3 is a rear elevational view thereof.  
FIG. 4 is a left side elevational view thereof;  
FIG. 5 is a right side elevational view thereof;  
FIG. 6 is a top plan view thereof; and,  
FIG. 7 is a bottom plan view thereof.

The broken line showing is included for the purpose of illustrating portions of the article and forms no part of the claimed design.

The broken line showing is included for the purpose of illustrating portions of the article and forms no part of the claimed design.

**1 Claim, 4 Drawing Sheets**



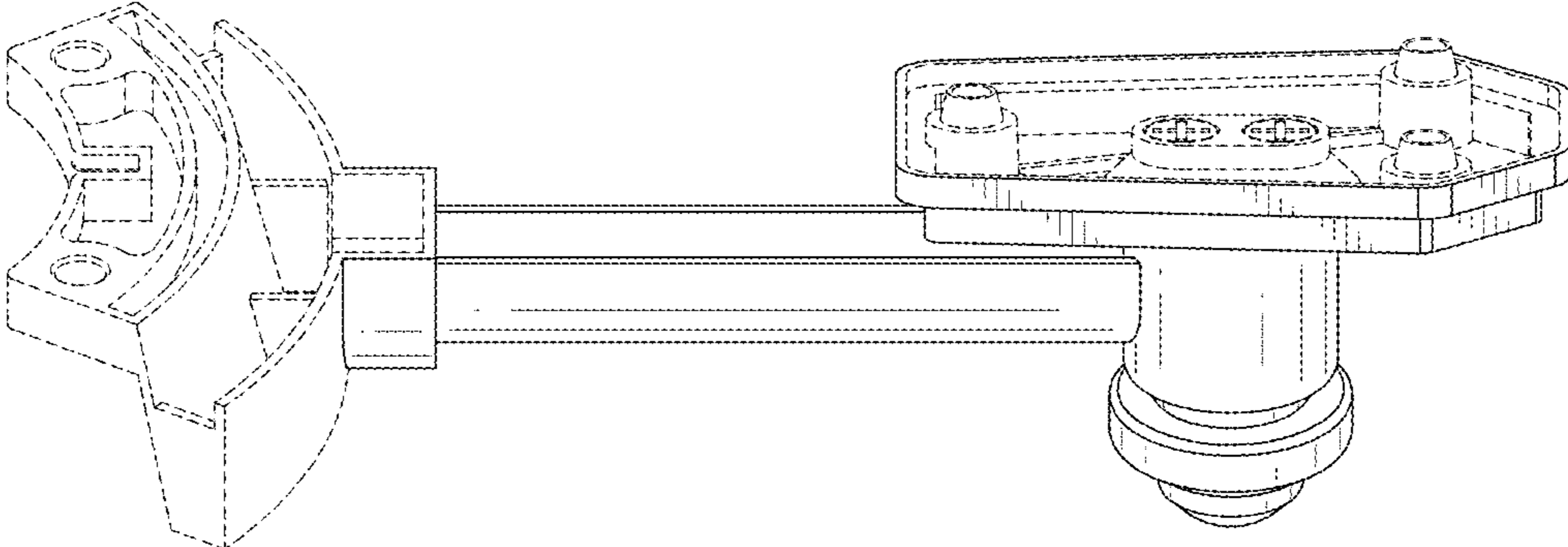


FIG. 1

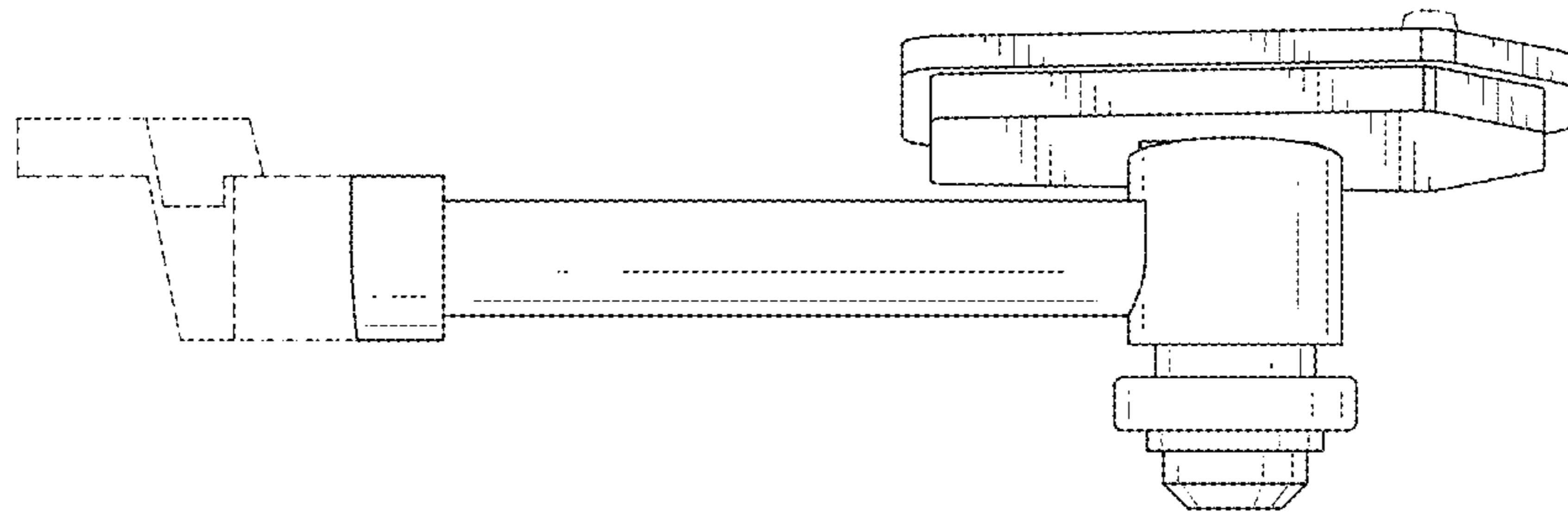


FIG. 2

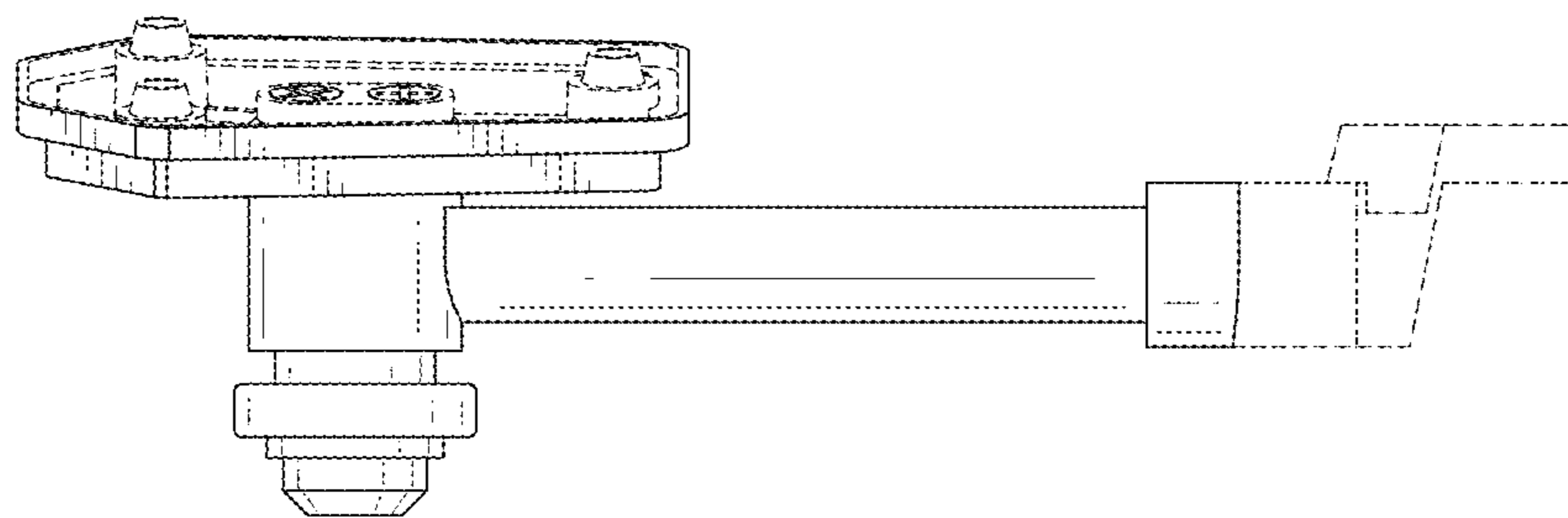


FIG. 3

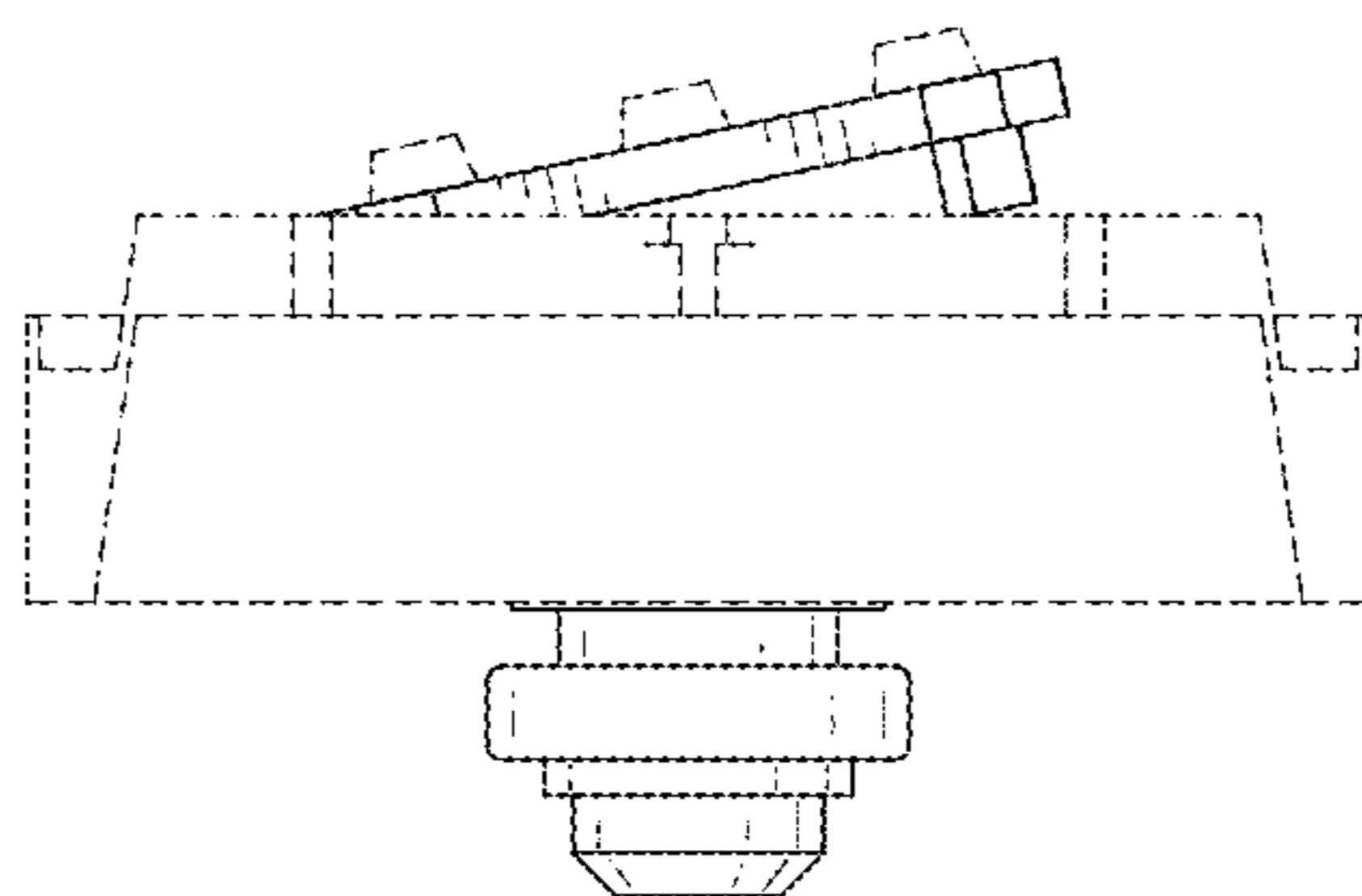


FIG. 4

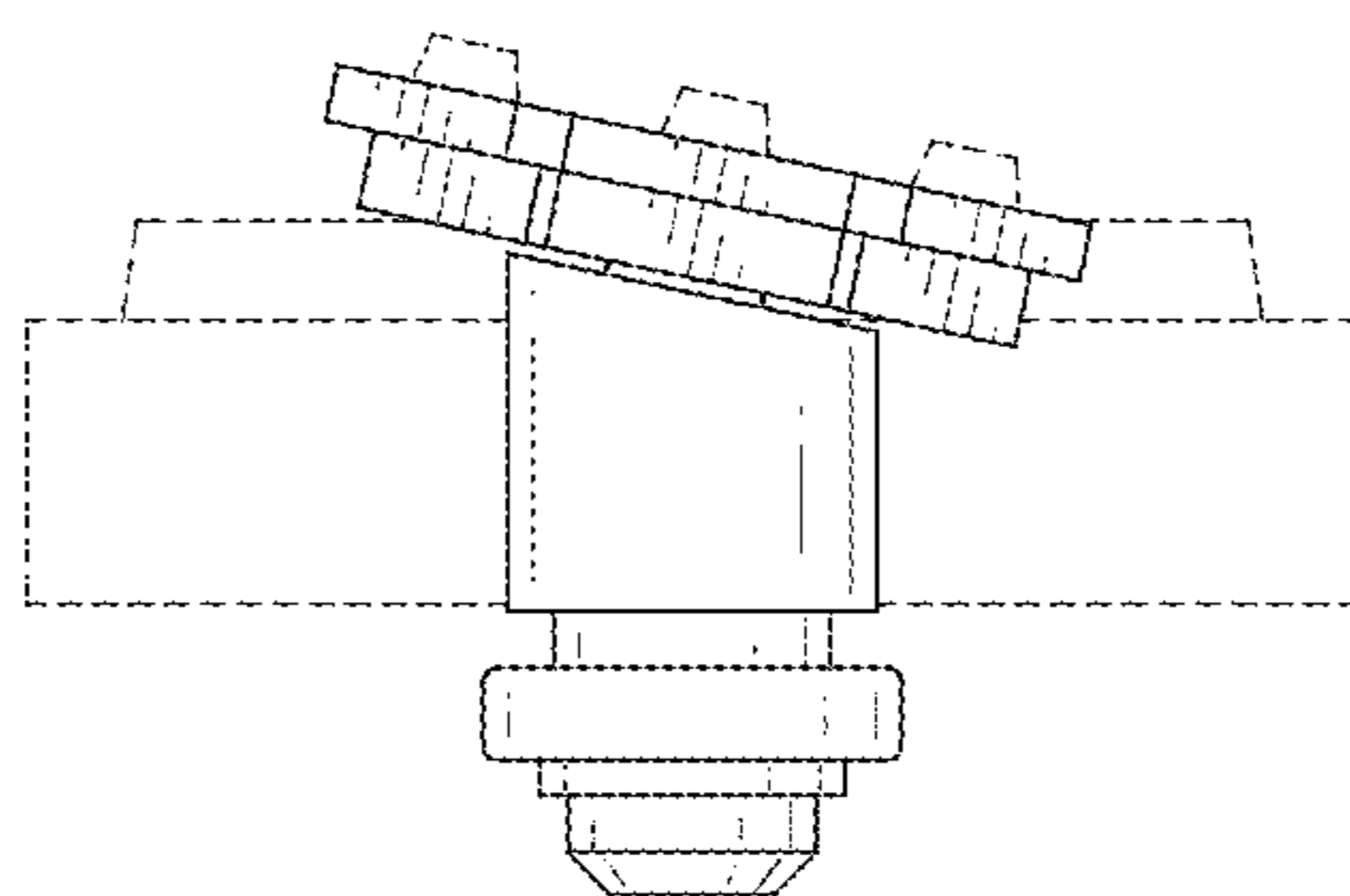


FIG. 5

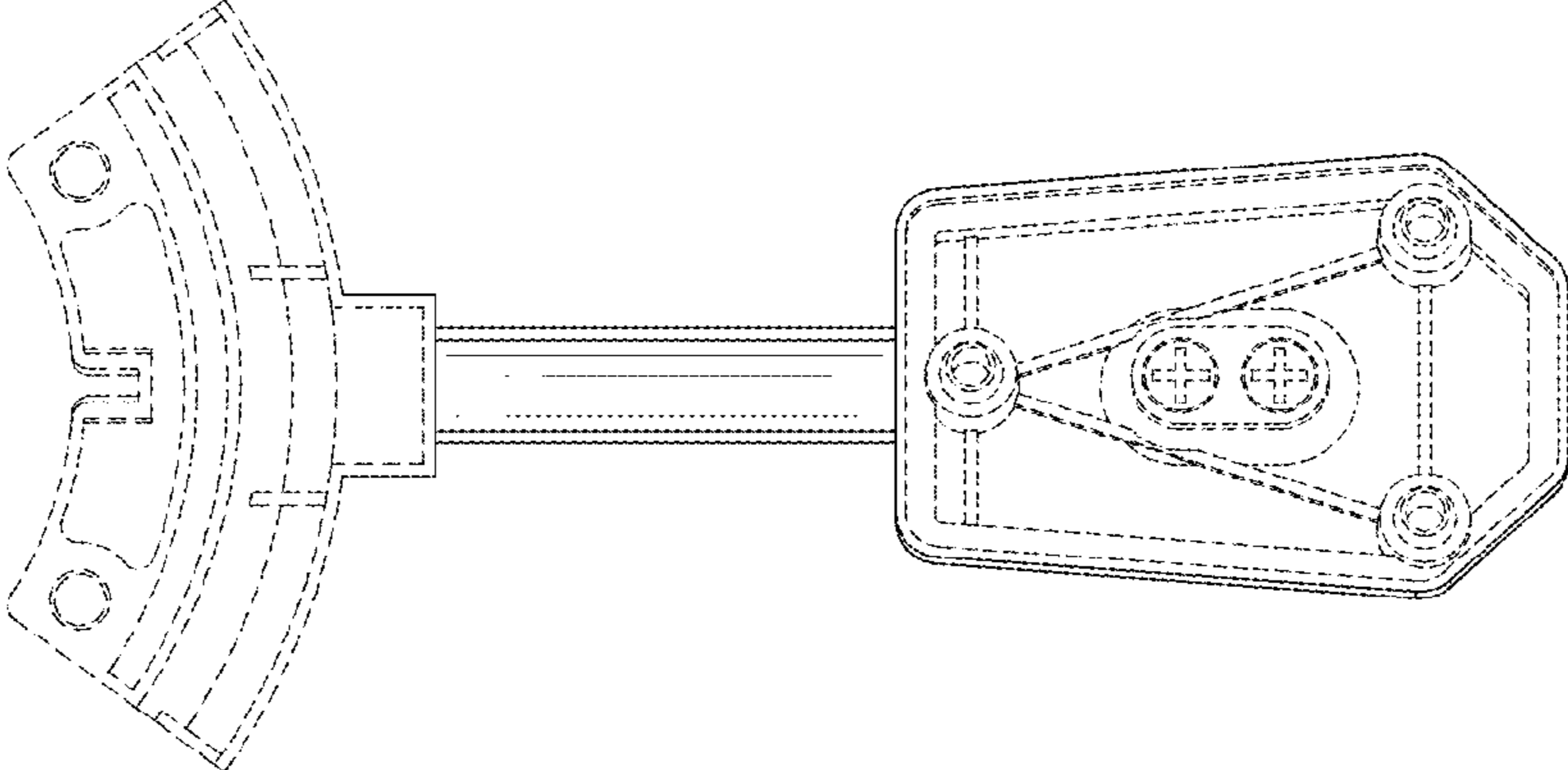


FIG. 6

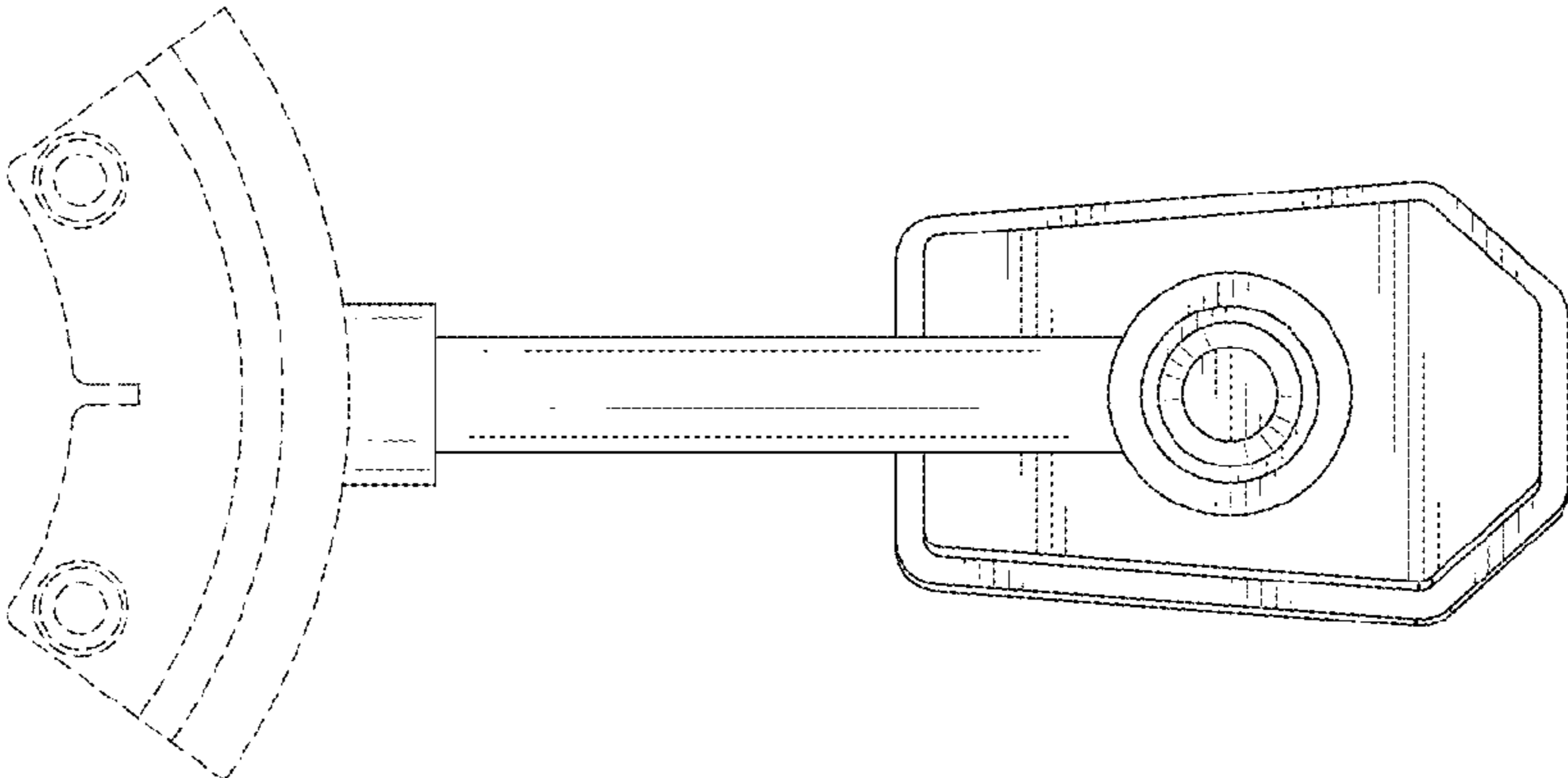


FIG. 7