



US00D699334S

(12) **United States Design Patent**
Alesi et al.

(10) **Patent No.:** **US D699,334 S**
(45) **Date of Patent:** **** Feb. 11, 2014**

(54) **AIR FRESHENER**

(71) Applicant: **Custom Accessories, Inc.**, Richmond, IL (US)

(72) Inventors: **Vincent Alesi**, Kildeer, IL (US);
Anthony Ferenzi, Plainfield, IL (US)

(73) Assignee: **Custom Accessories, Inc.**, Richmond, IL (US)

(**) Term: **14 Years**

(21) Appl. No.: **29/464,229**

(22) Filed: **Aug. 14, 2013**

(51) **LOC (10) Cl.** **28-99**

(52) **U.S. Cl.**
USPC **D23/366**

(58) **Field of Classification Search**
USPC D23/355-369; D28/5, 6; 261/DIG. 17,
261/DIG. 42, DIG. 65, DIG. 88, DIG. 89;
392/386, 390, 394, 395; 239/34, 44,
239/53, 55, 56, 326
See application file for complete search history.

(56) **References Cited**

U.S. PATENT DOCUMENTS

5,651,522	A	7/1997	Davis et al.	
5,735,460	A	4/1998	Eisenbraun	
D437,041	S *	1/2001	Eisenbraun	D23/366
D604,825	S *	11/2009	Brandenburg	D23/366
7,687,037	B2 *	3/2010	Wheatley et al.	422/124
D619,693	S *	7/2010	Hami et al.	D23/366
D619,694	S *	7/2010	Hami et al.	D23/366
D620,573	S *	7/2010	Hami et al.	D23/366
D625,798	S *	10/2010	Hami et al.	D23/367
D640,781	S *	6/2011	Brandenburg	D23/366
8,147,761	B2 *	4/2012	Wheatley et al.	422/123
D667,100	S *	9/2012	Hakim	D23/366

D684,675	S *	6/2013	Irvin et al.	D23/366
2003/0202922	A1	10/2003	Farmer	
2011/0108632	A1 *	5/2011	Brandenburg et al.	239/34

OTHER PUBLICATIONS

Four color photographs of an air freshener product sold under a Deco-Clips designation, product of Custom Accessories, Inc., Richmond, Illinois USA, on sale in the USA at least as early as Apr. 30, 2012.

* cited by examiner

Primary Examiner — Sandra Snapp

(74) *Attorney, Agent, or Firm* — Patzik, Frank & Samotny Ltd.

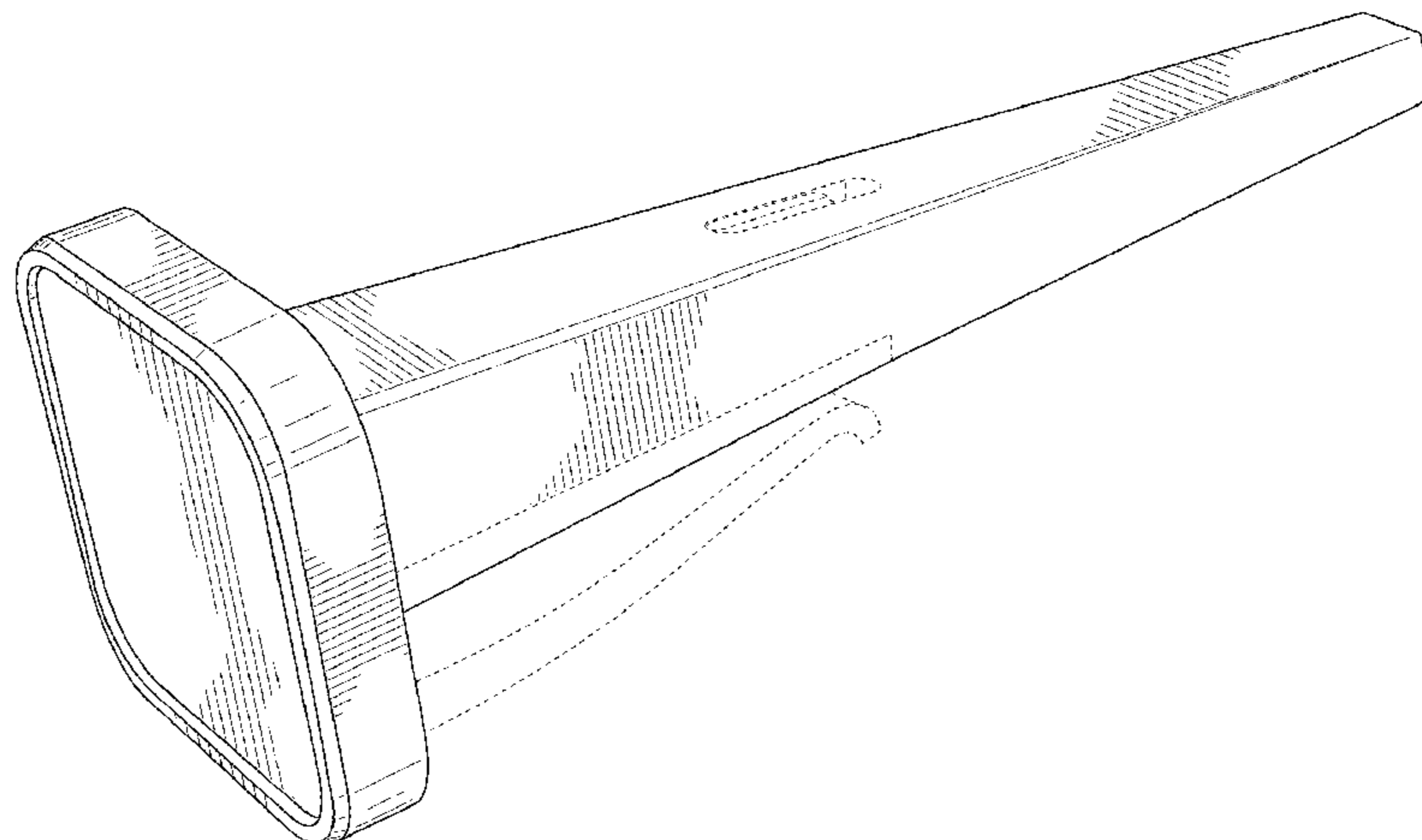
(57) **CLAIM**

The ornamental design for an air freshener, as shown and described.

DESCRIPTION

FIG. 1 is a front perspective view of the air freshener of the present invention;
FIG. 2 is a top plan view of the air freshener of the present invention;
FIG. 3 is a bottom plan view of the air freshener of the present invention;
FIG. 4 is a front elevation view of the air freshener of the present invention;
FIG. 5 is a rear elevation view of the air freshener of the present invention;
FIG. 6 is a left side elevation view of the air freshener of the present invention; and,
FIG. 7 is a right side elevation view of the air freshener of the present invention.
The portions shown in broken lines form no part of the claimed design.

1 Claim, 7 Drawing Sheets



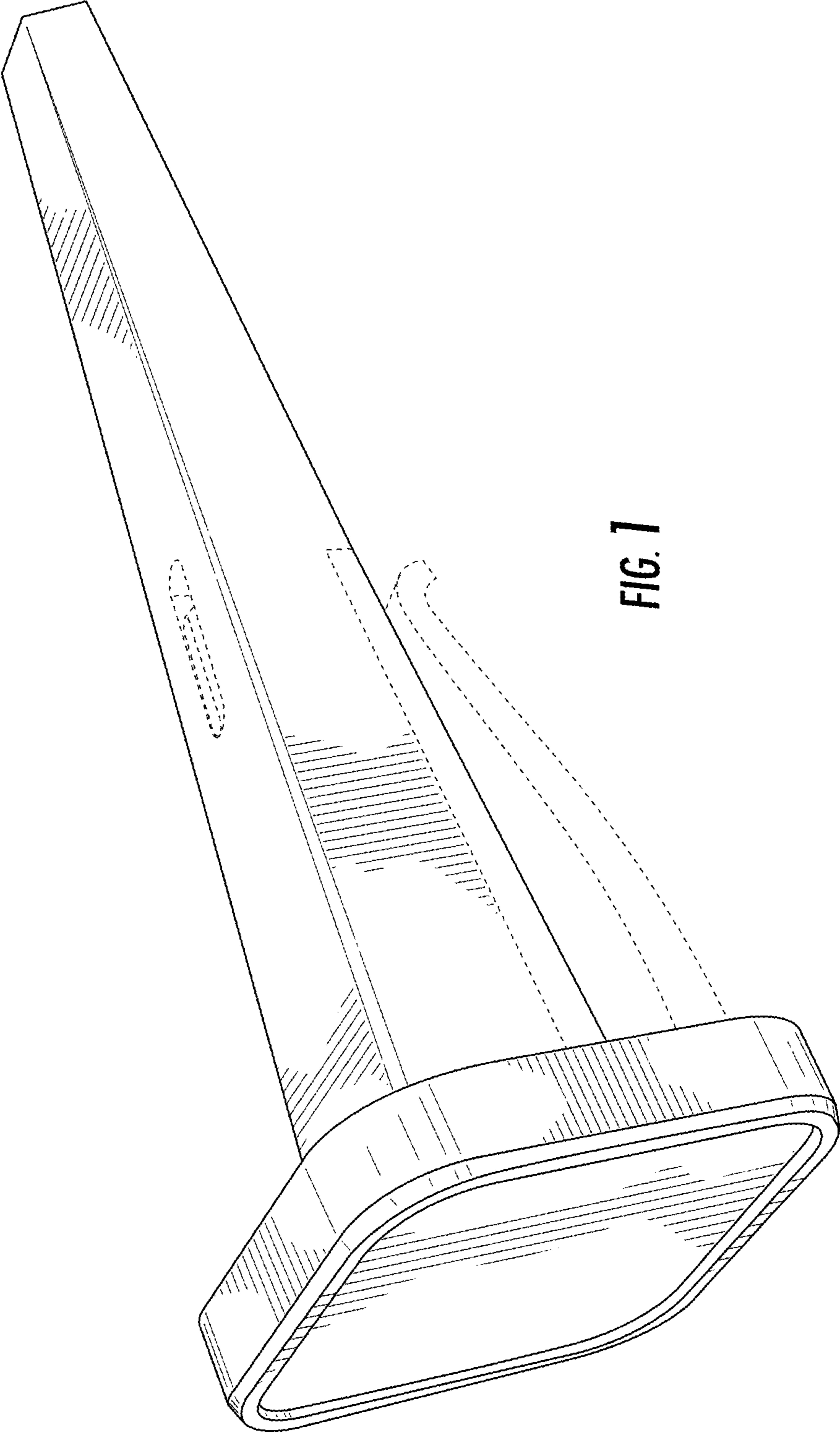


FIG. 1

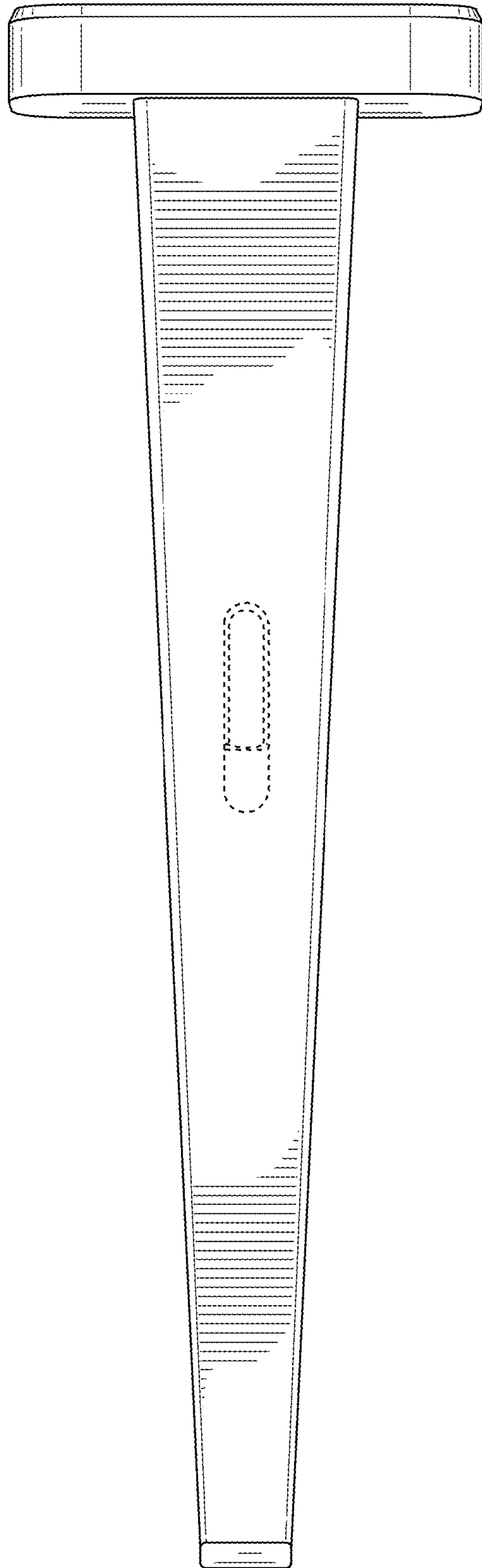


FIG. 2

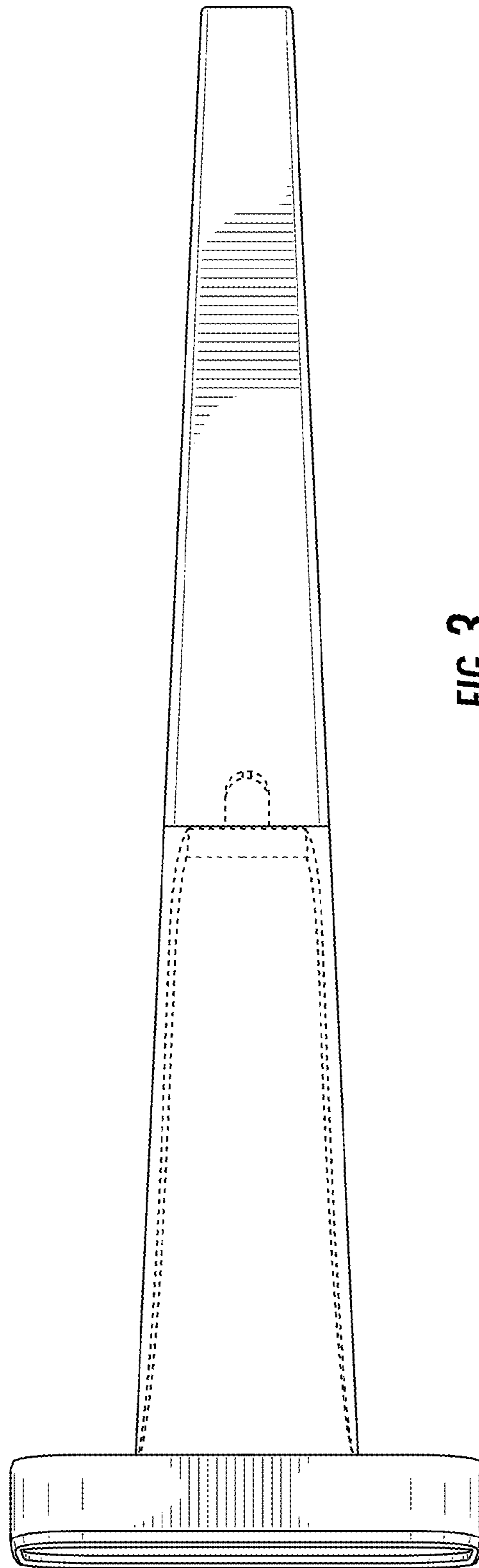


FIG. 3

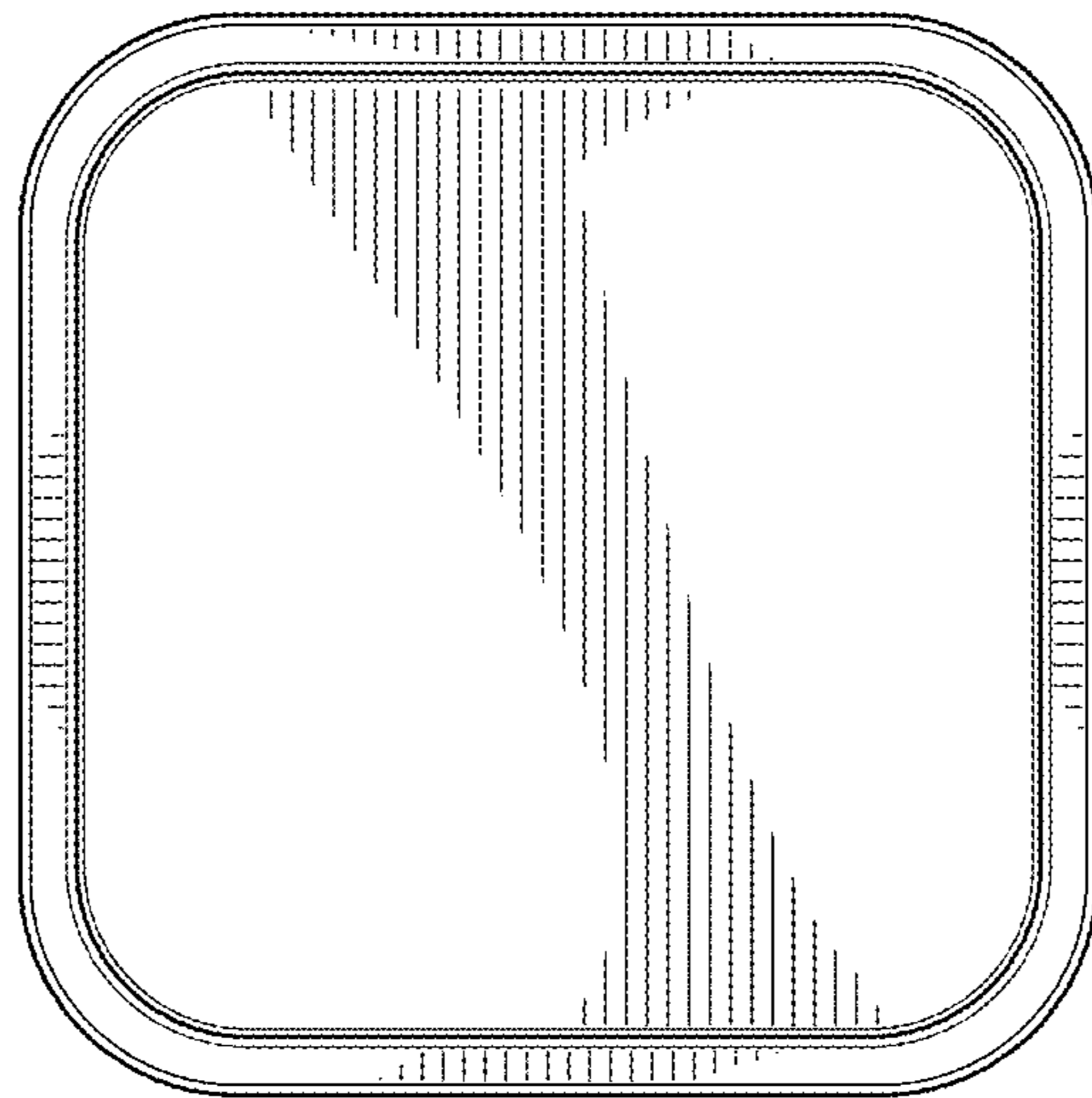


FIG. 4

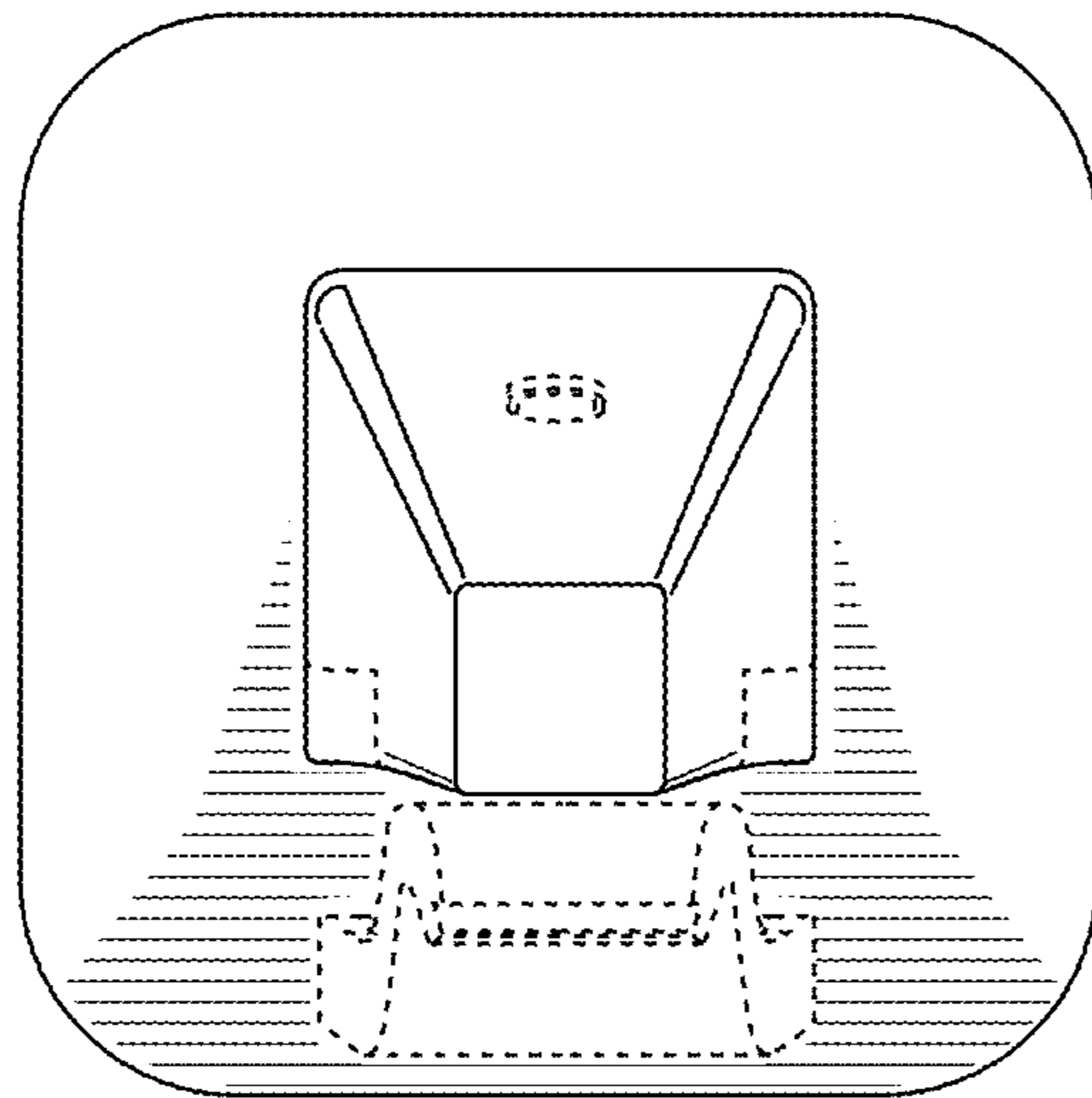


FIG. 5

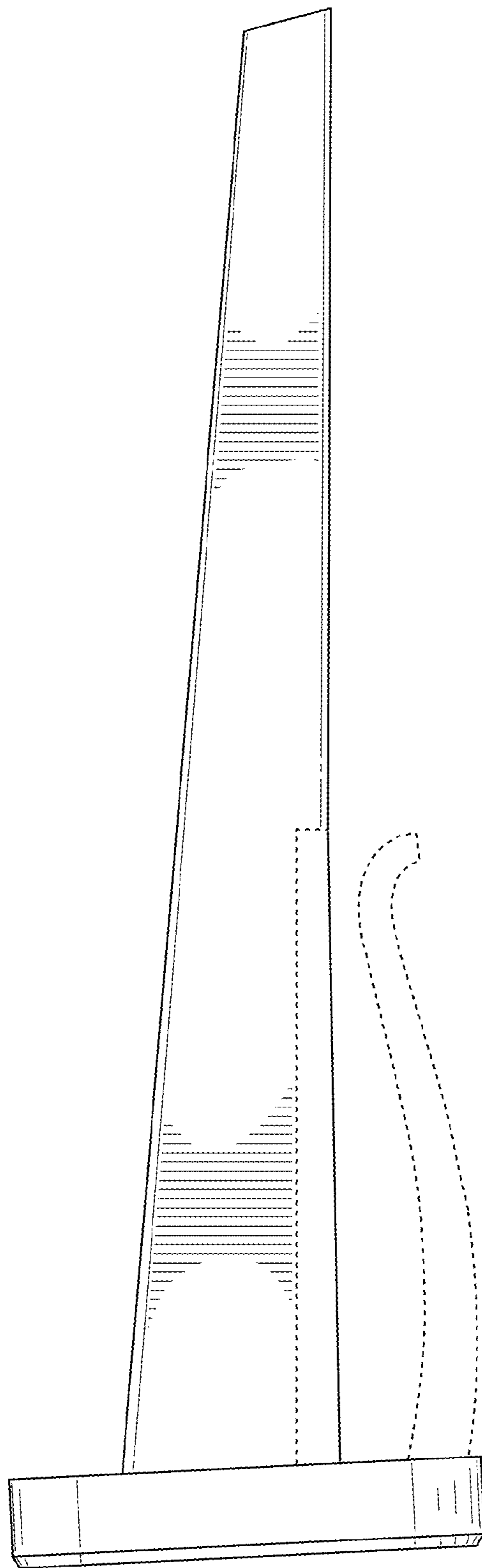


FIG. 6

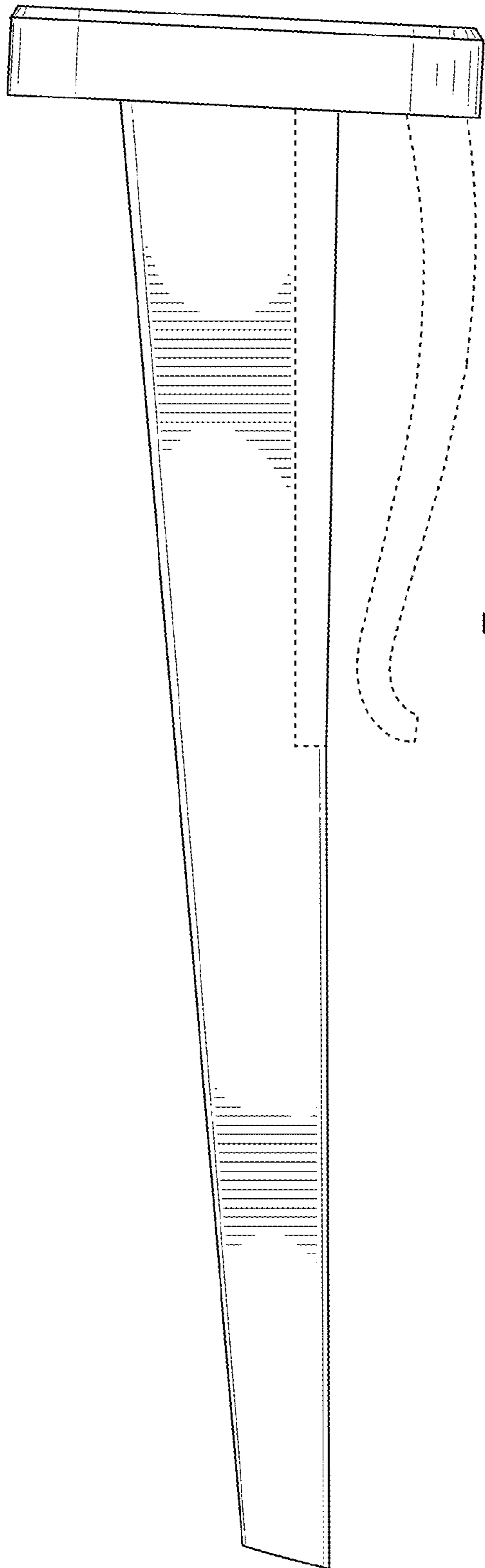


FIG. 7