

US00D699333S

(12) **United States Design Patent**
Price et al.

(10) **Patent No.:** **US D699,333 S**
(45) **Date of Patent:** **** Feb. 11, 2014**

- (54) **CONCRETE FIRE RING**
- (75) Inventors: **Brian A. Price**, Rochester, MN (US);
Jeffrey Paul Price, Rochester, MN (US)
- (73) Assignee: **Mortarless Technologies, LLC**,
Rochester, MN (US)

D603,037	S	10/2009	DeFouw et al.	
D633,995	S	3/2011	Chiang	
7,980,241	B1	7/2011	White	
8,141,303	B2 *	3/2012	McDow et al.	52/58
2007/0224560	A1	9/2007	Stainrod et al.	
2011/0162634	A1	7/2011	Richard	
2011/0214663	A1	9/2011	Cox	
2012/0073561	A1 *	3/2012	Gregory	126/25 R
2012/0196232	A1 *	8/2012	Miller	431/2

(**) Term: **14 Years**

- (21) Appl. No.: **29/425,845**
- (22) Filed: **Jun. 27, 2012**

Related U.S. Application Data

- (63) Continuation of application No. 29/411,559, filed on Jan. 23, 2012, now Pat. No. Des. 664,635, which is a continuation of application No. 29/402,354, filed on Sep. 22, 2011, now Pat. No. Des. 654,580, which is a continuation of application No. 29/369,446, filed on Sep. 8, 2010, now Pat. No. Des. 648,428.

- (51) **LOC (10) Cl.** **23-01**
- (52) **U.S. Cl.**
USPC **D23/348**

- (58) **Field of Classification Search**
USPC D23/343, 345, 350, 404, 409, 406;
126/500, 512, 25 R
See application file for complete search history.

(56) **References Cited**

U.S. PATENT DOCUMENTS

988,920	A	4/1911	Wislicenus
2,648,326	A	8/1953	Epstein
D302,204	S	7/1989	Gatton
D540,451	S	4/2007	Emalfarb

OTHER PUBLICATIONS

- <http://www.jimcostone.com/firepitkit.php>.
- <http://www.hedberglandscape.com/Products/Default.aspx?path=1112111071677>.
- <http://www.southlandbrickandblock.com/autumns-around-the-corner-get-your-fire-pit-today/>.

* cited by examiner

Primary Examiner — Eric Goodman
(74) *Attorney, Agent, or Firm* — Fish & Richardson P.C.

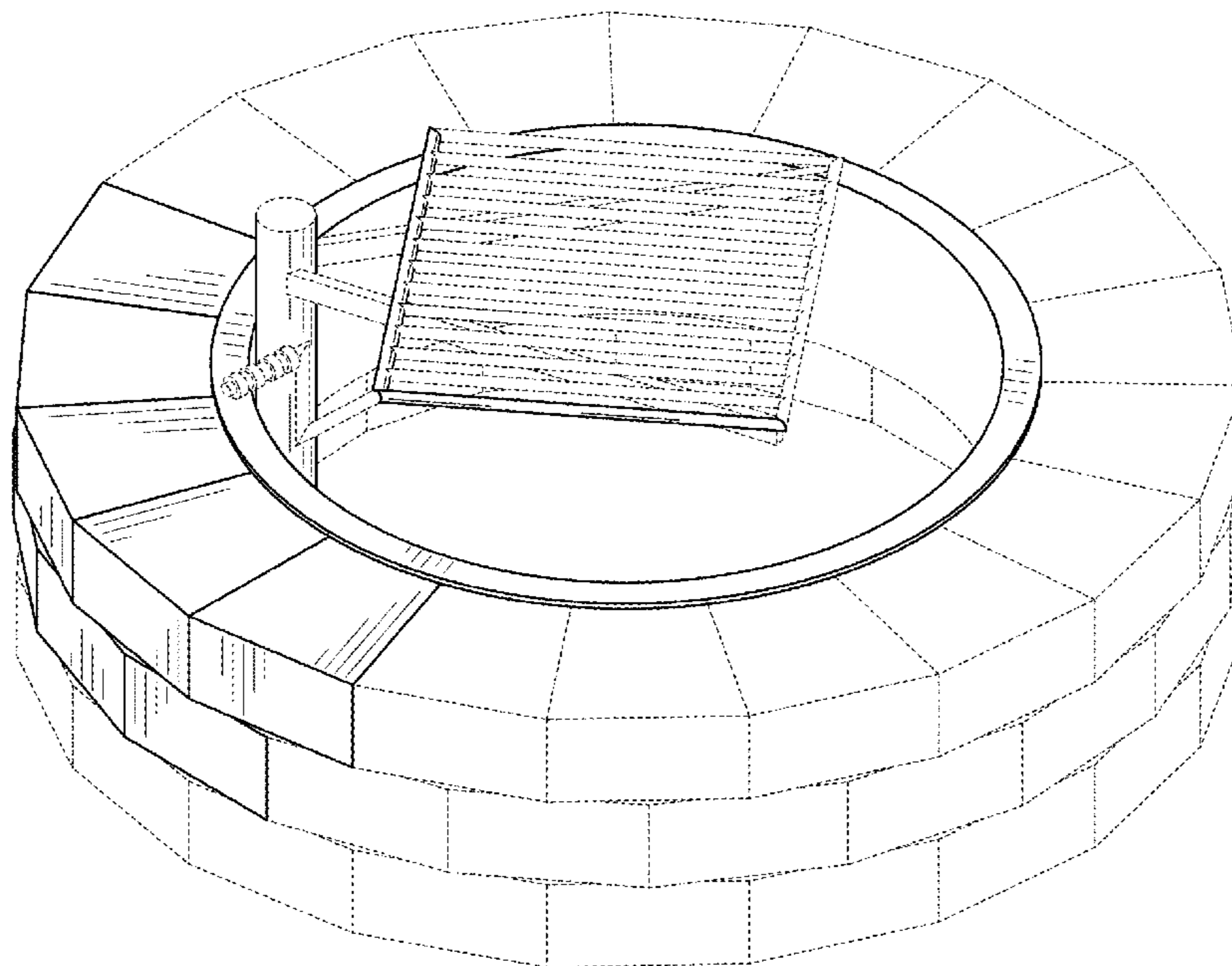
(57) **CLAIM**

The ornamental design for a concrete fire ring, as shown and described.

DESCRIPTION

FIG. 1 is a perspective view of a concrete fire ring.
FIG. 2 is a front view of the concrete fire ring of FIG. 1.
FIG. 3 is a back view of the concrete fire ring of FIG. 1.
FIG. 4 is a left side view of the concrete fire ring of FIG. 1.
FIG. 5 is a right side view of the concrete fire ring of FIG. 1.
FIG. 6 is a top view of the concrete fire ring of FIG. 1; and,
FIG. 7 is a bottom view of the concrete fire ring of FIG. 1.

1 Claim, 5 Drawing Sheets



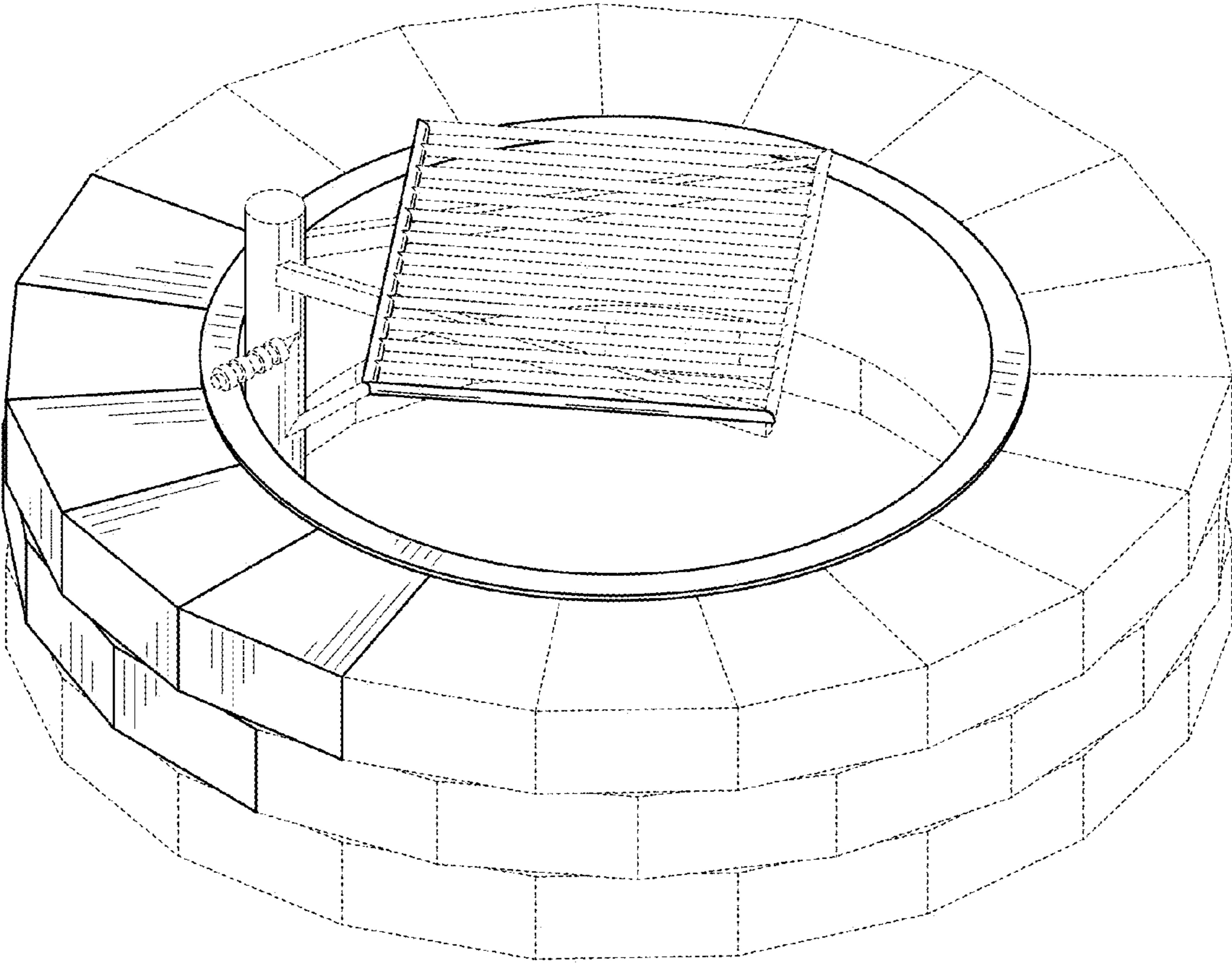


FIG. 1

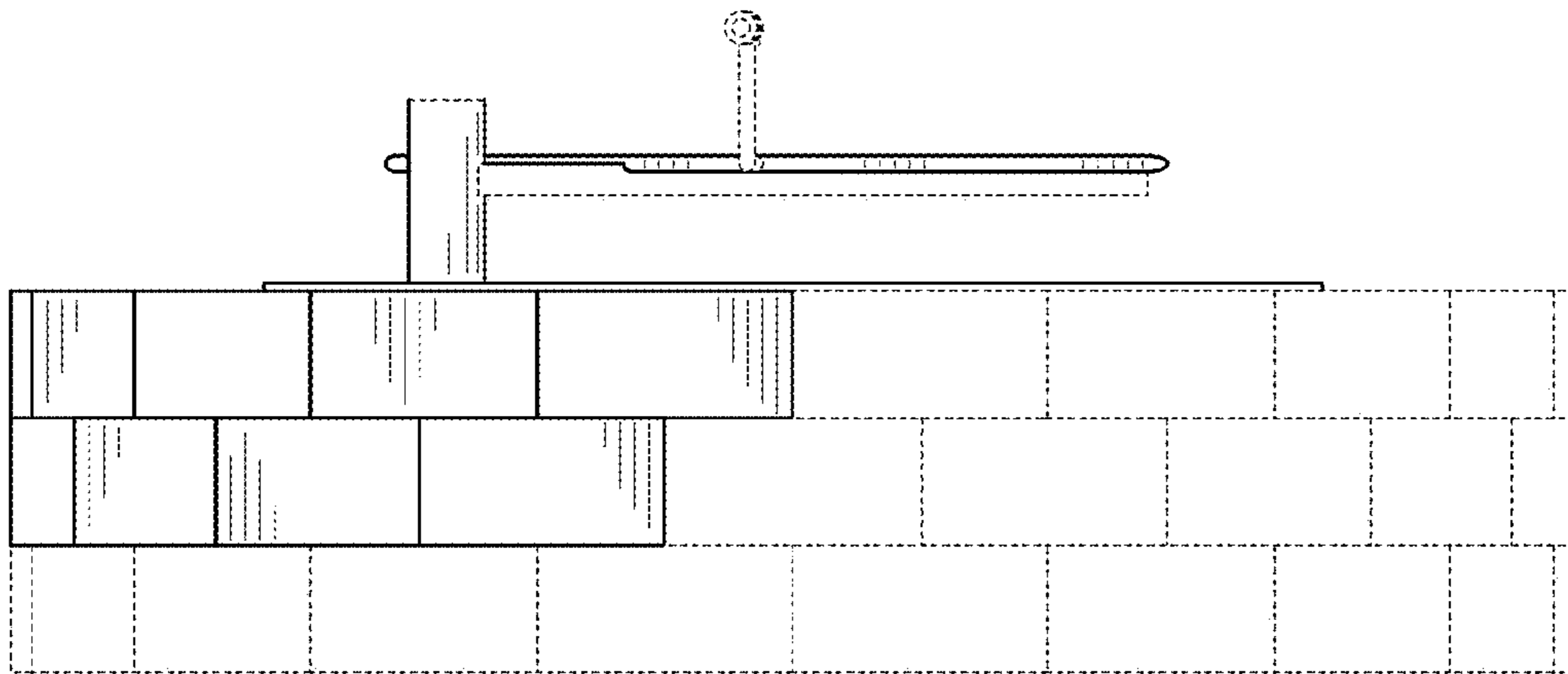


FIG. 2

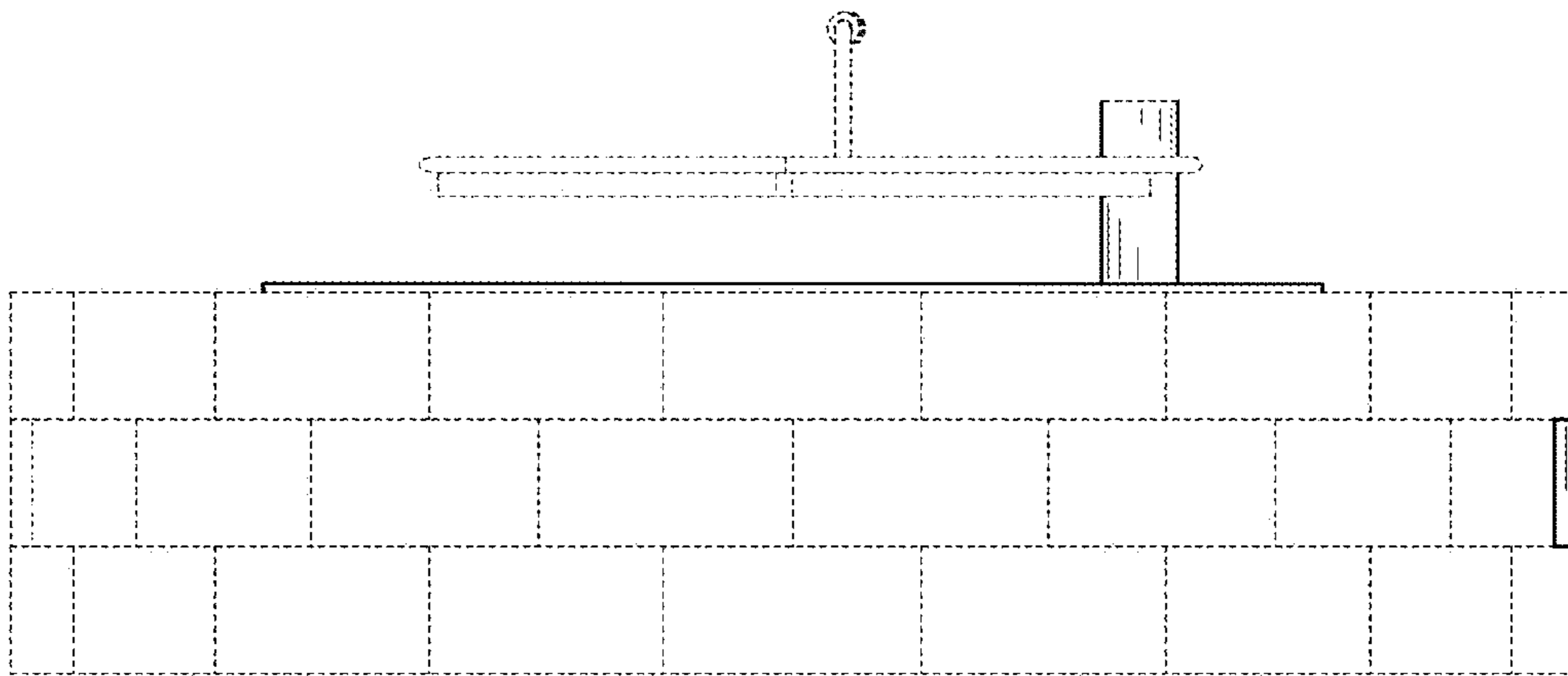


FIG. 3

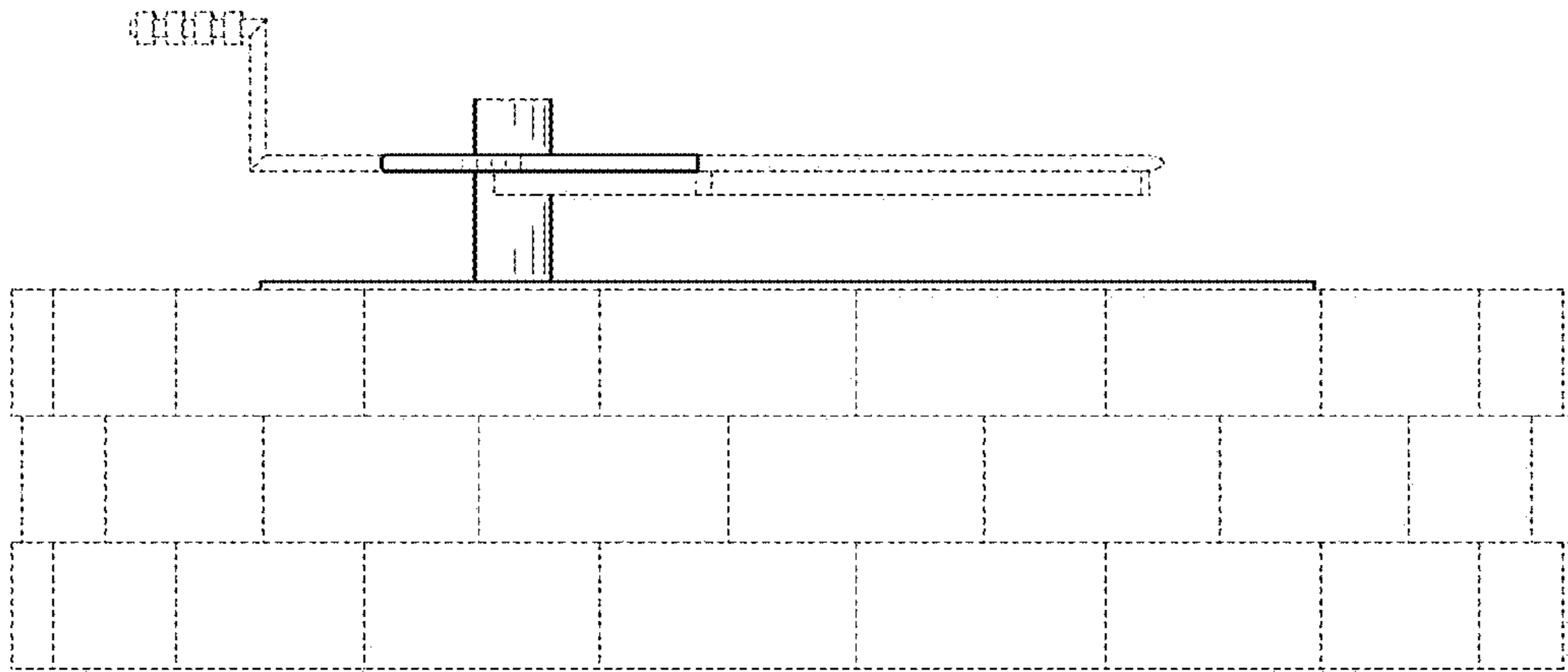


FIG. 4

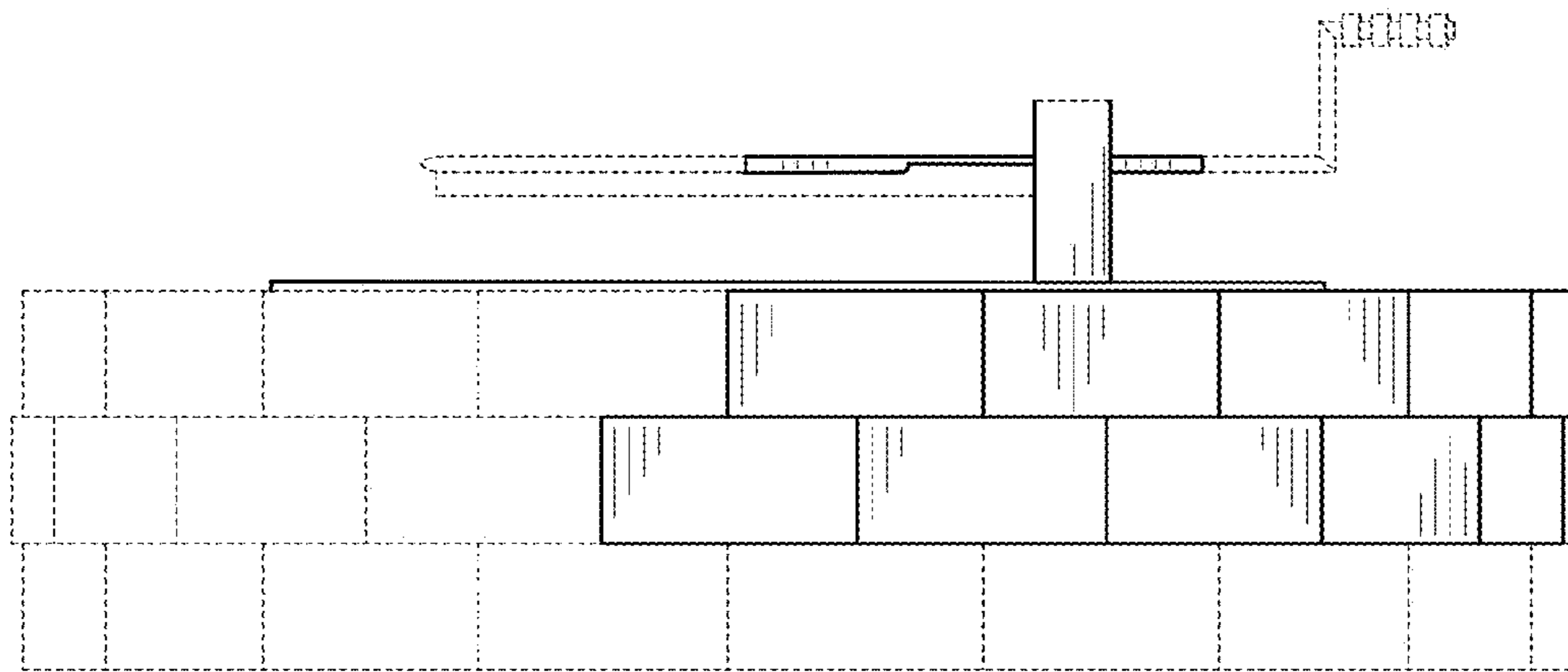


FIG. 5

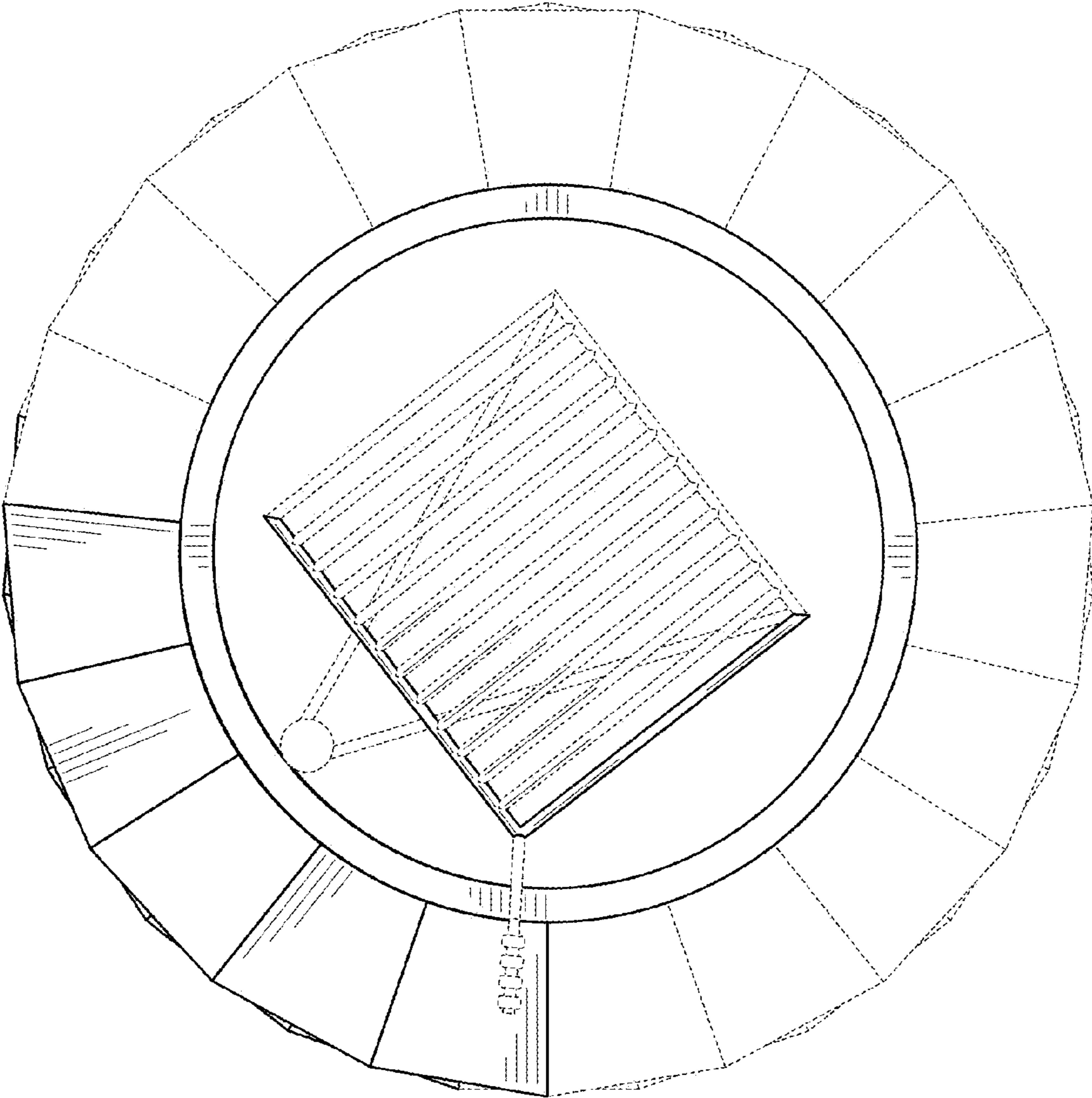


FIG. 6

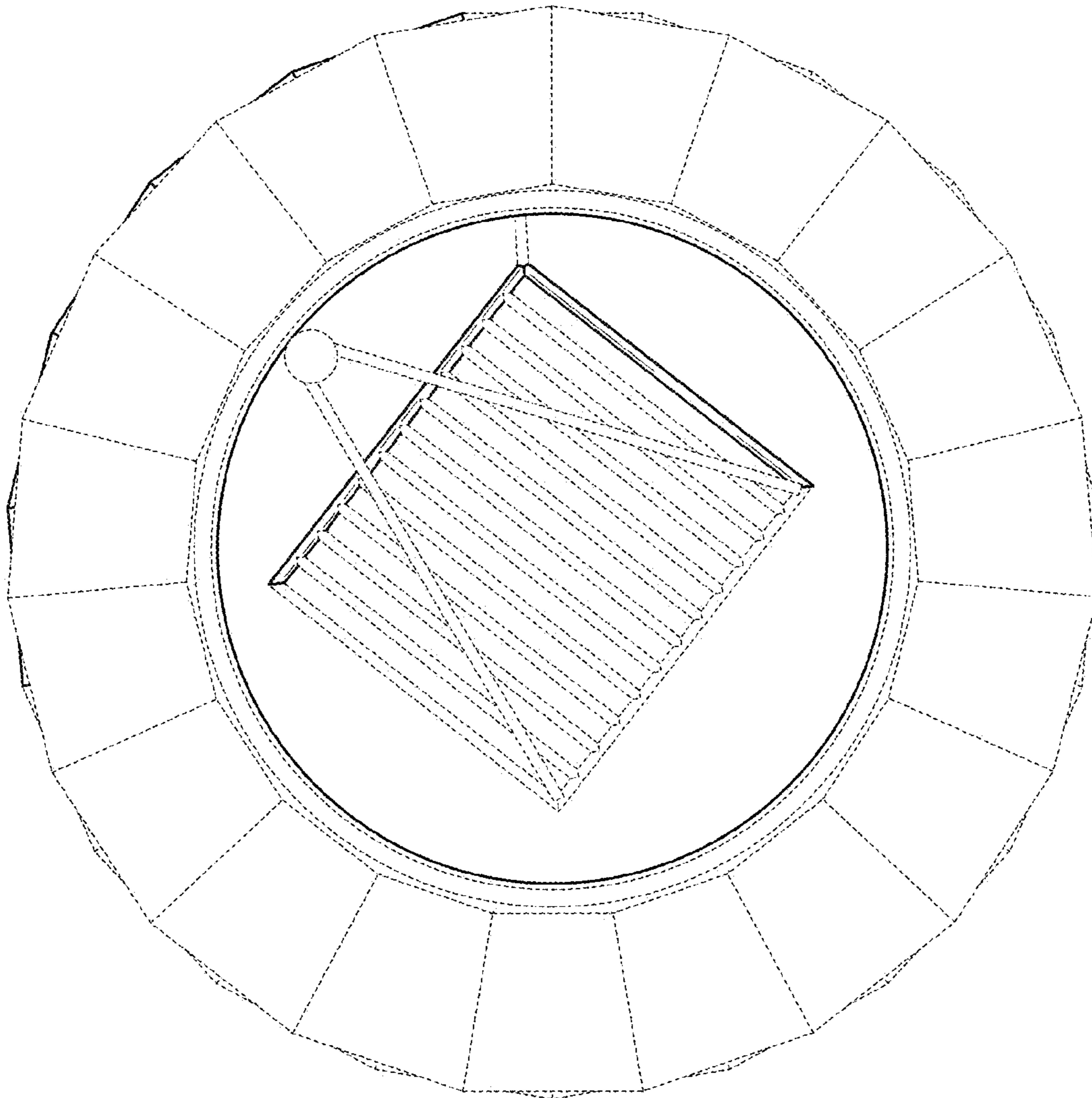


FIG. 7