

US00D699331S

(12) **United States Design Patent**
Rossi

(10) **Patent No.:** **US D699,331 S**

(45) **Date of Patent:** **** Feb. 11, 2014**

(54) **RAISED TOILET SEAT**

(71) Applicant: **Thomas R Rossi**, Newport Beach, CA
(US)

(72) Inventor: **Thomas R Rossi**, Newport Beach, CA
(US)

(**) Term: **14 Years**

(21) Appl. No.: **29/454,018**

(22) Filed: **May 6, 2013**

(51) **LOC (10) Cl.** **23-02**

(52) **U.S. Cl.**
USPC **D23/311**

(58) **Field of Classification Search**
USPC D23/296-297, 311-312; 4/444, 234,
4/237-238

See application file for complete search history.

(56) **References Cited**

U.S. PATENT DOCUMENTS

3,364,505	A *	1/1968	Palmier	D23/311
D239,715	S *	4/1976	Finlof	D23/311
D282,964	S *	3/1986	Beprestis	D23/311
D287,533	S *	12/1986	Broeils	D23/311
D287,534	S *	12/1986	Broeils	D23/311
D307,048	S *	4/1990	Spiegel	D23/311

D345,008	S *	3/1994	Ahlstrom et al.	D23/311
5,412,815	A *	5/1995	Ellis	4/237
D372,766	S *	8/1996	Francke	D23/311
7,093,308	B2 *	8/2006	Berlovan et al.	4/237
D669,973	S *	10/2012	Reda	D23/311

* cited by examiner

Primary Examiner — Robert Delehanty

(74) *Attorney, Agent, or Firm* — Guy Cumberbatch

(57) **CLAIM**

I claim the ornamental design for a raised toilet seat.

DESCRIPTION

FIG. 1 is an upper perspective view of a raised toilet seat of the present application, shown mounted on a toilet in phantom; FIG. 2 is a lower perspective view of the raised toilet seat; FIG. 3 is a left side view of the raised toilet seat, the right side view being a mirror image; FIG. 4 is a front view of the raised toilet seat; FIG. 5 is a rear view of the raised toilet seat; FIG. 6 is a top view of the raised toilet seat; and, FIG. 7 is a bottom view of the raised toilet seat.

Note 1: Applicant disclaims those elements shown in phantom in the drawings as forming no part of the claimed design.

1 Claim, 5 Drawing Sheets

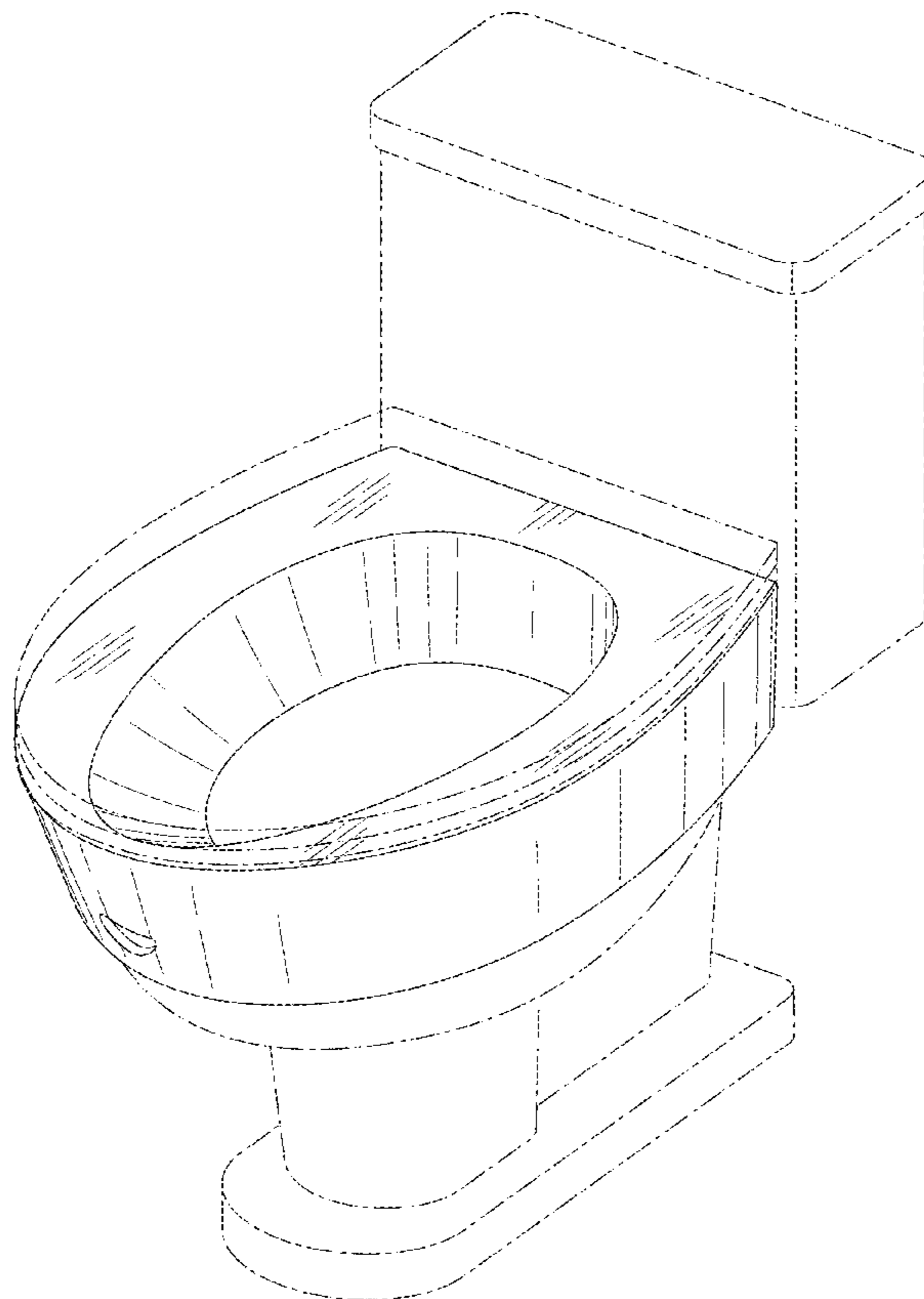


Fig. 1

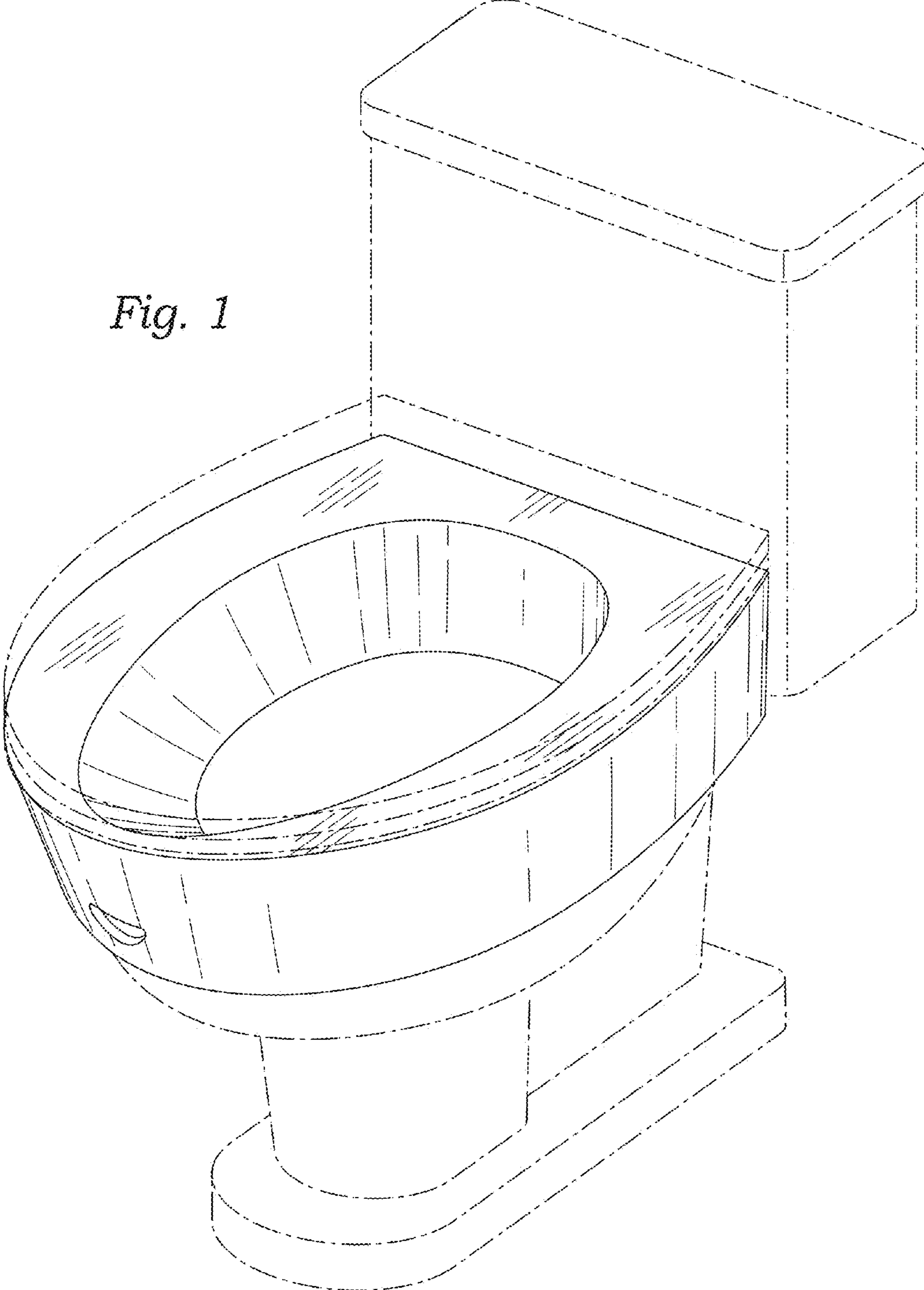


Fig. 2

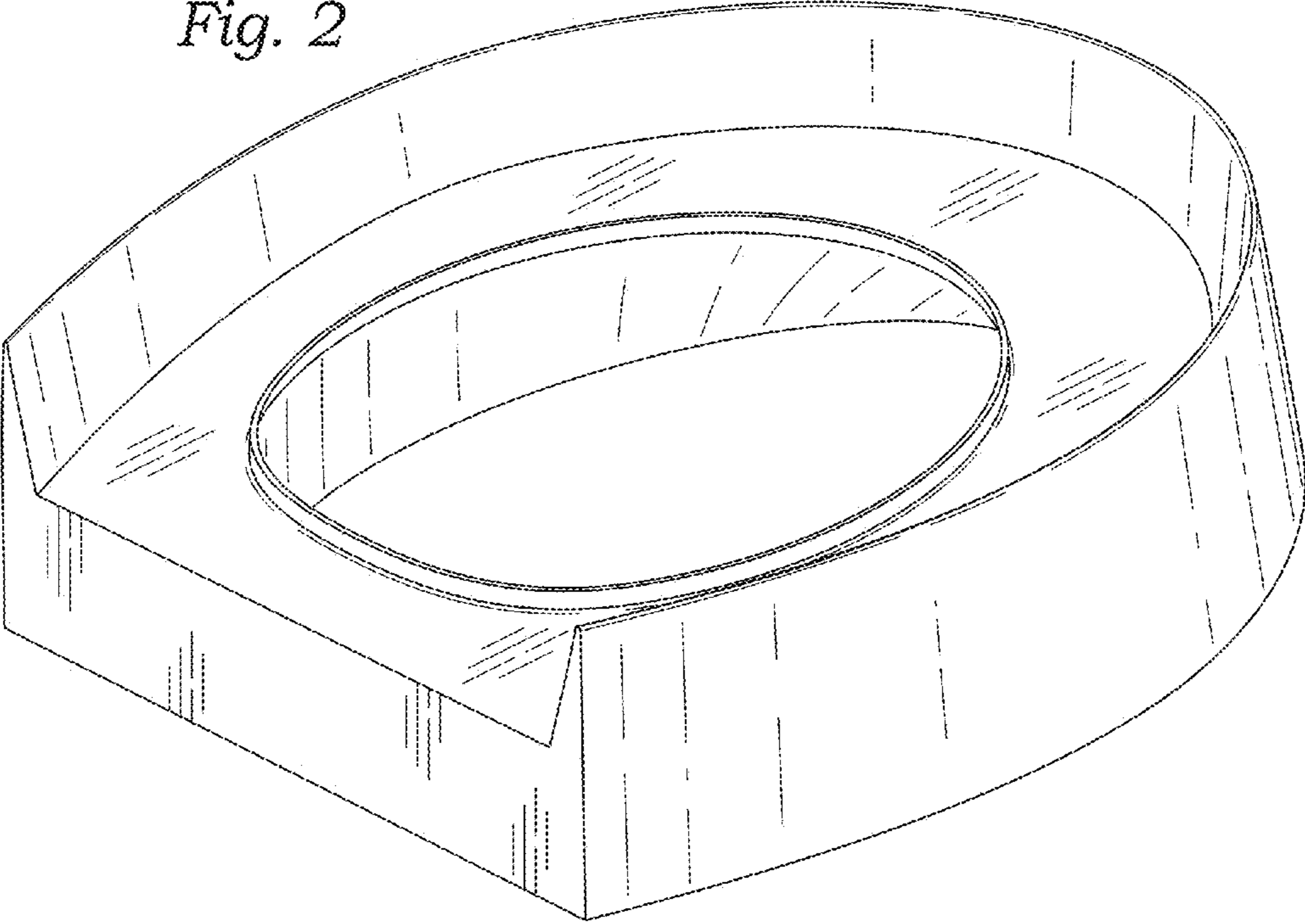


Fig. 3

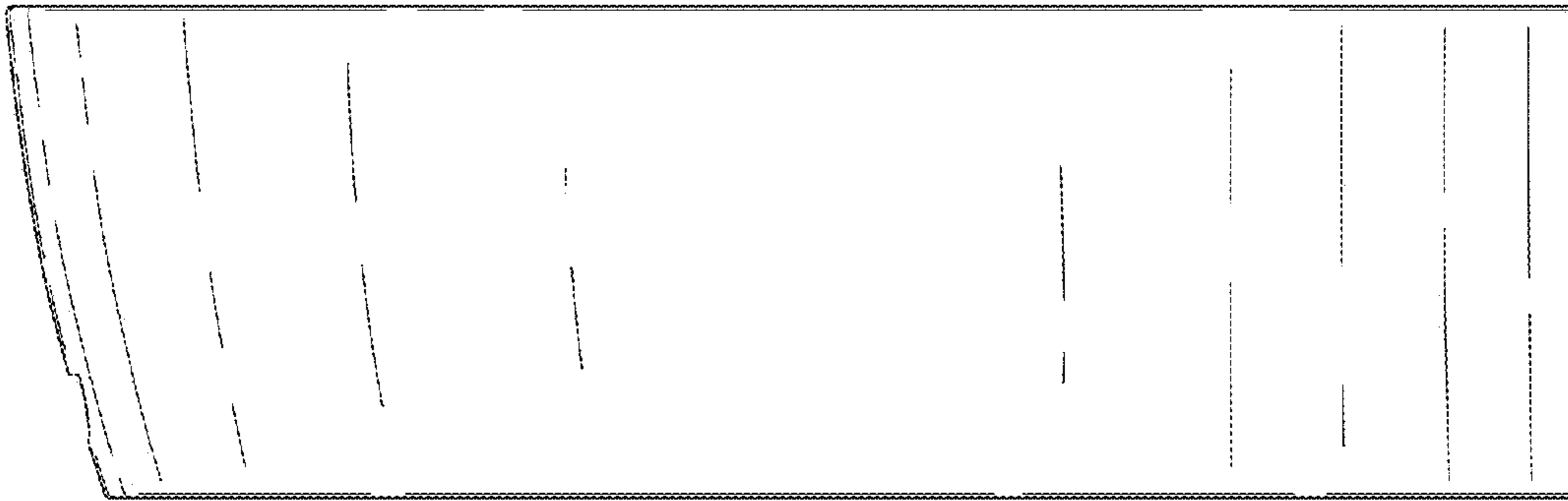


Fig. 4

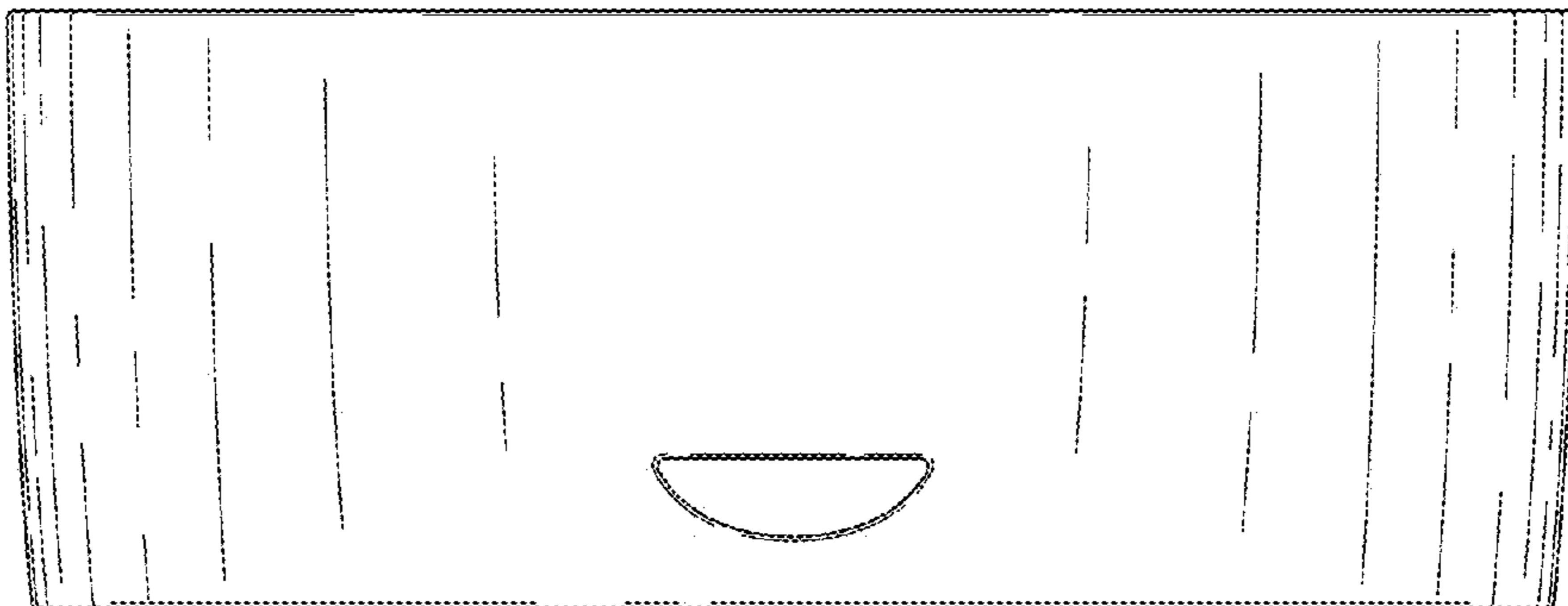


Fig. 5

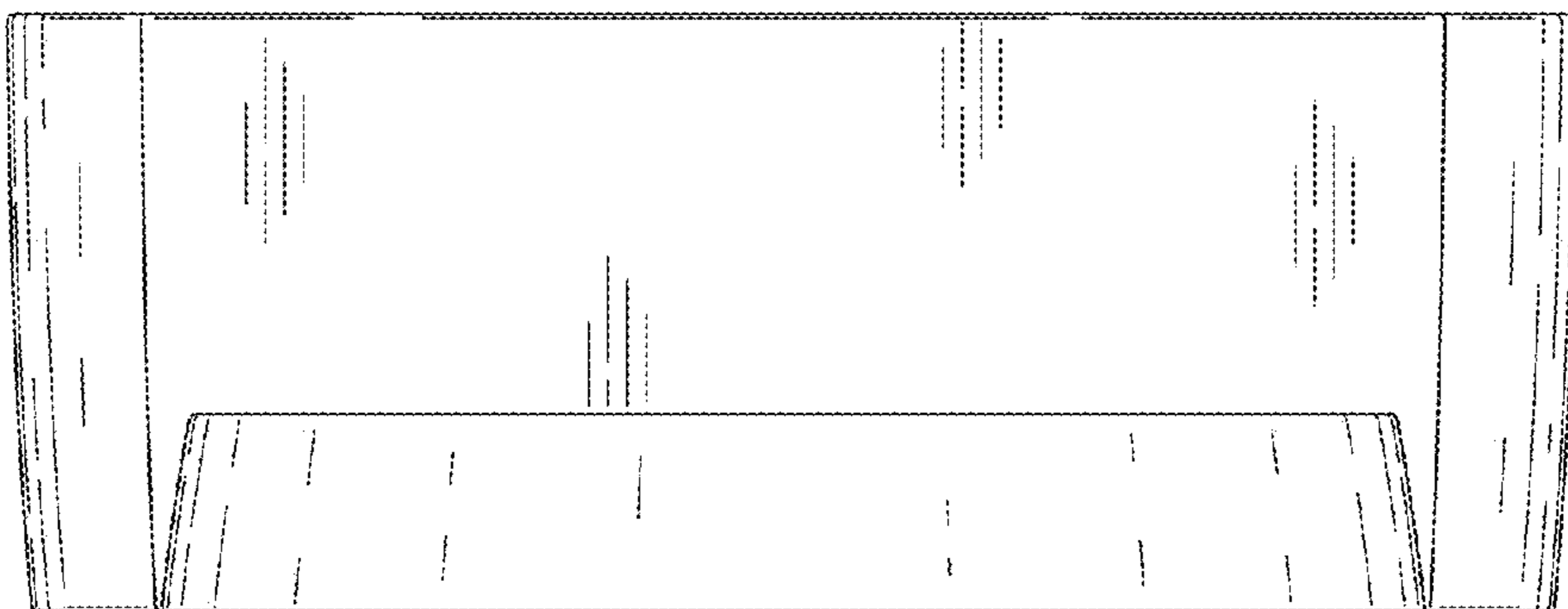


Fig. 6

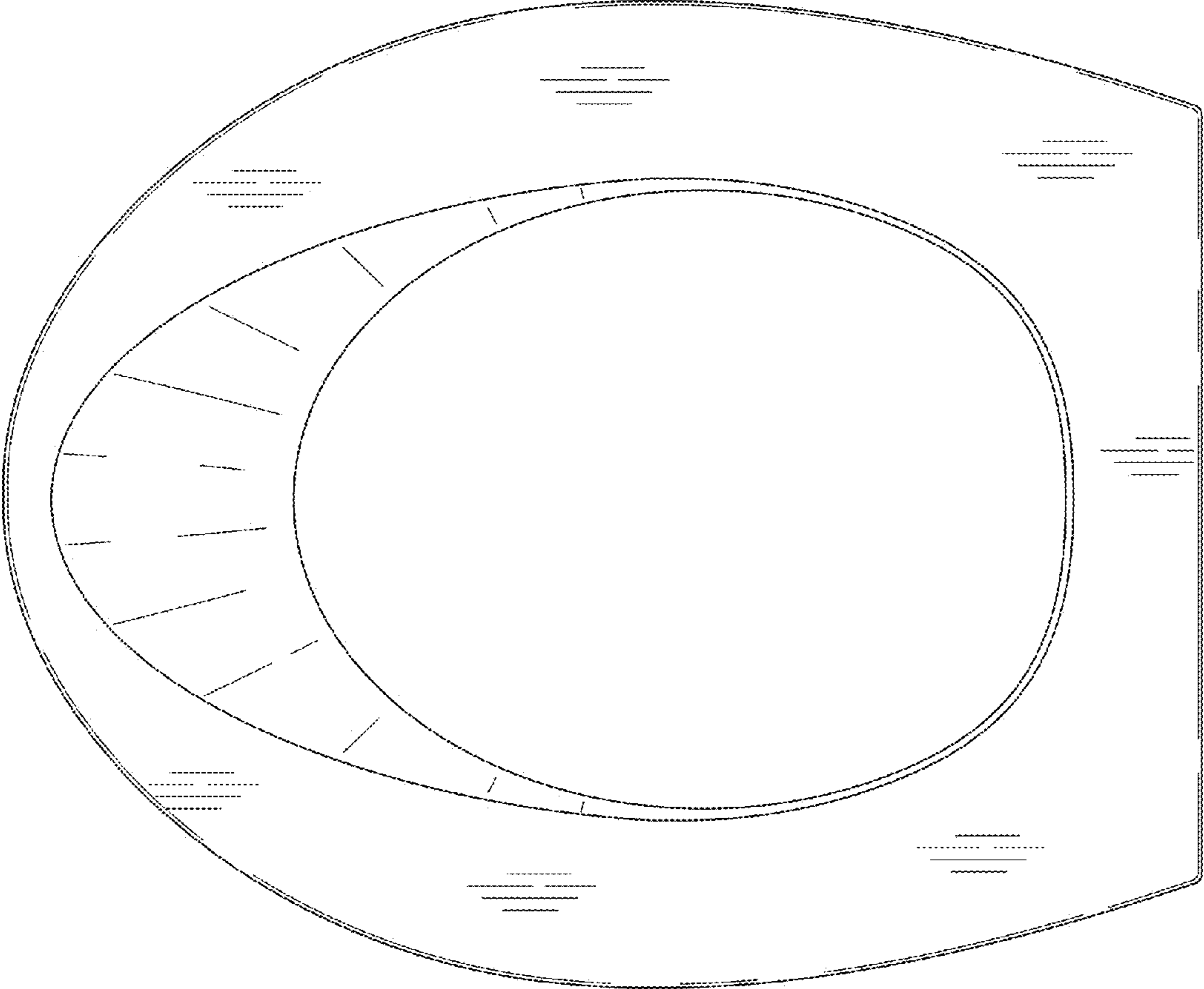


Fig. 7

