



US00D699330S

(12) **United States Design Patent**  
**Ziemann et al.**

(10) **Patent No.:** **US D699,330 S**

(45) **Date of Patent:** **\*\* Feb. 11, 2014**

(54) **SINK**

(71) Applicant: **Blanco GmbH + Co KG**,  
Oberderdingen (DE)

(72) Inventors: **Brigitte Ziemann**, Eppingen (DE);  
**Oliver Kuch**, Oberderdingen (DE);  
**James Ryan Eder**, Columbus, OH (US);  
**Oren Shai**, Westerville, OH (US)

(73) Assignee: **BLANCO GmbH + Co KG**,  
Oberderdingen (DE)

(\*\*) Term: **14 Years**

(21) Appl. No.: **29/457,732**

(22) Filed: **Jun. 12, 2013**

(51) **LOC (10) Cl.** ..... **23-02**

(52) **U.S. Cl.**  
USPC ..... **D23/293.1**

(58) **Field of Classification Search**  
USPC ..... D23/272-274, 284, 286, 292-293.1,  
D23/303, 308; 4/619

See application file for complete search history.

(56) **References Cited**

**U.S. PATENT DOCUMENTS**

D497,662 S \* 10/2004 Gross et al. .... D23/284  
D653,736 S \* 2/2012 Niehaus et al. .... D23/290

**OTHER PUBLICATIONS**

Kraus, "Undermount Single Bowl model KBU14", retrieved from the internet www.kraususa.com, Oct. 22, 2012, using web.archived.org, 2 pages.

Artisan, "Artisan Premium Series 16 Gauge model AR3120-D10", retrieved from the internet www.artisanstyles.com, Oct. 1, 2011, using web.archived.org., 1 pages.

Artisan, "Artisan Premium Series 16 Gauge model AR3118-D9", retrieved from the internet www.artisanstyles.com, Dec. 6, 2010, using web.archived.org, 1 page.

Artisan, "Artisan Premium Series 16 Gauge model AR2318-D9", retrieved from the internet www.artisanstyles.com, Dec. 6, 2010, using web.archived.org., 2 pages.

Dawn, "Sink model DSU3118", retrieved from the internet www.dawnusa.net, Dec. 29, 2010, using web.archived.org., 2 pages.

Elkay, "The Mystic Undermount Sink MYSTIC3021BC", retrieved from the internet www.elkayusa.com, Apr. 28, 2009, using web.archived.org., 2 pages.

Houzer, "Undermount Large single Bowl model mb-3300", retrieved from the internet www.houzersink.com, Dec. 29, 2010, using web.archived.org, 2 pages.

Lenova Perma Clean Drain System, "Medium Single Bowl Undermount model PC-SS-CL-S4-16", retrieved from the internet www.lenovapermaclean.com, Oct. 2, 2012, using web.archived.org., 2 pages.

(Continued)

*Primary Examiner* — Robert Delehanty

(74) *Attorney, Agent, or Firm* — Hanley, Flight & Zimmerman, LLC.

(57) **CLAIM**

The ornamental design for a "sink," as shown and described.

**DESCRIPTION**

FIG. 1 is a perspective view of a sink.

FIG. 2 is a front view of the sink of FIG. 1.

FIG. 3 is a right side view of the sink of FIG. 1.

FIG. 4 is a rear view of the sink of FIG. 1.

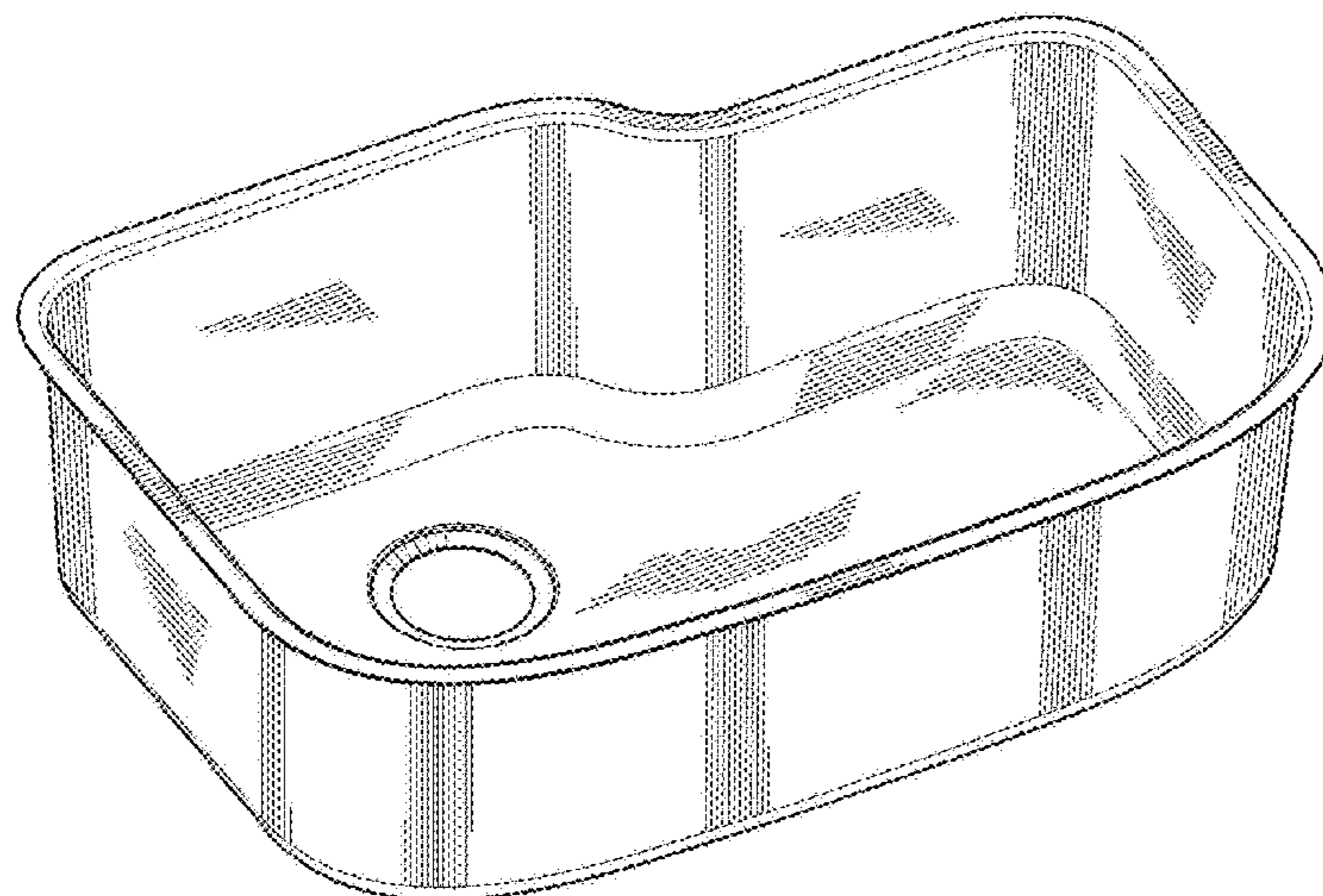
FIG. 5 is a left side view of the sink of FIG. 1.

FIG. 6 is a top plan view of the sink of FIG. 1; and,

FIG. 7 is a bottom view of the sink of FIG. 1.

The features shown in broken lines form no part of the claimed design.

**1 Claim, 7 Drawing Sheets**



(56)

**References Cited**

OTHER PUBLICATIONS

Sterling, "Sink Cinch model 11722-NA", retrieved from the internet [www.sterlingplumbing.com](http://www.sterlingplumbing.com), Oct. 1, 2013, using [web.archived.org](http://web.archived.org)., 2 pages.

"Review of Franke ORX110, Orca Kitchen sink", retrieved from the internet: <http://voices.yahoo.com/review-franke-orx110-orca-kitchen-sink-7257678.html>, last visited on Nov. 22, 2010, 2 pages.

\* cited by examiner

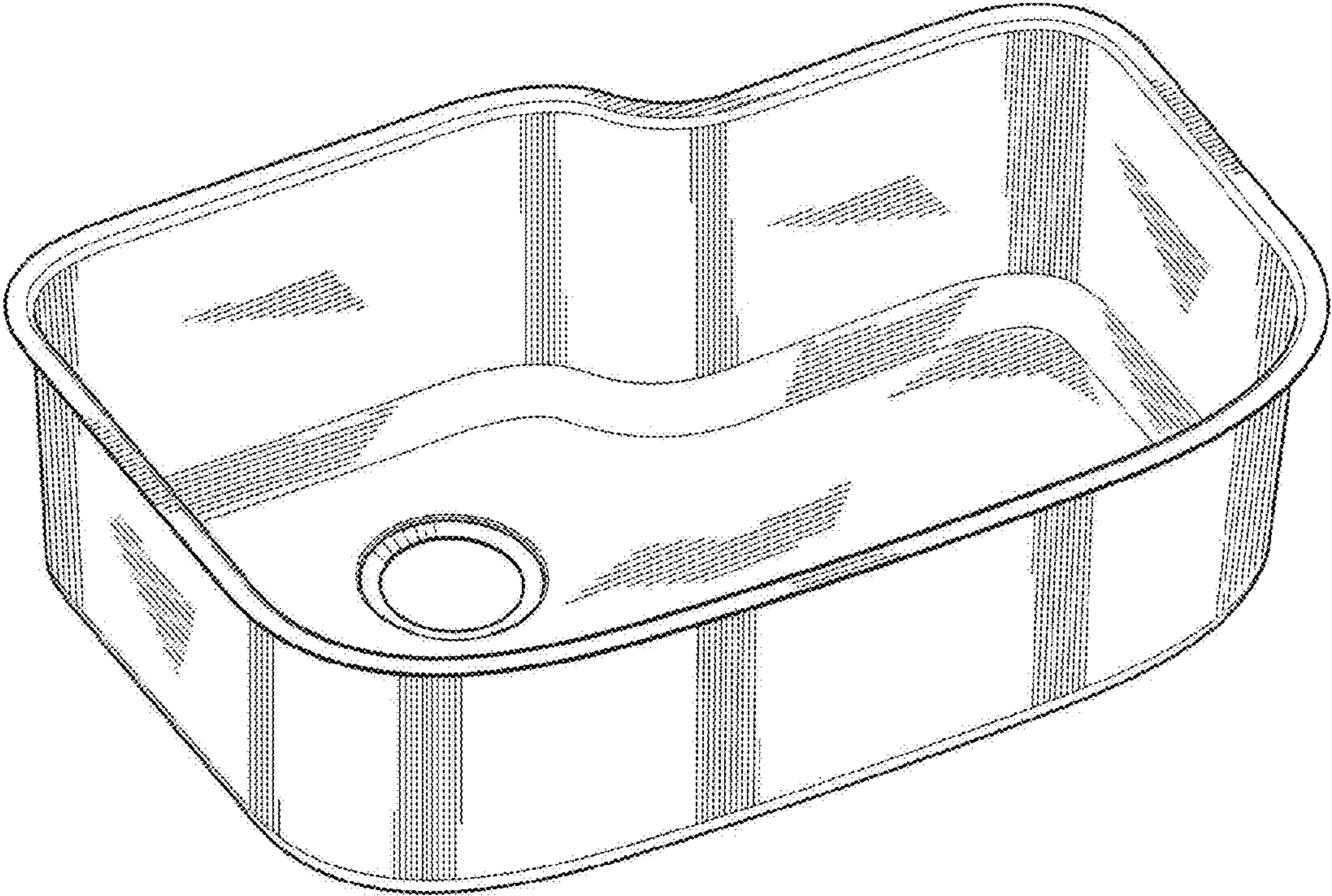


FIG. 1

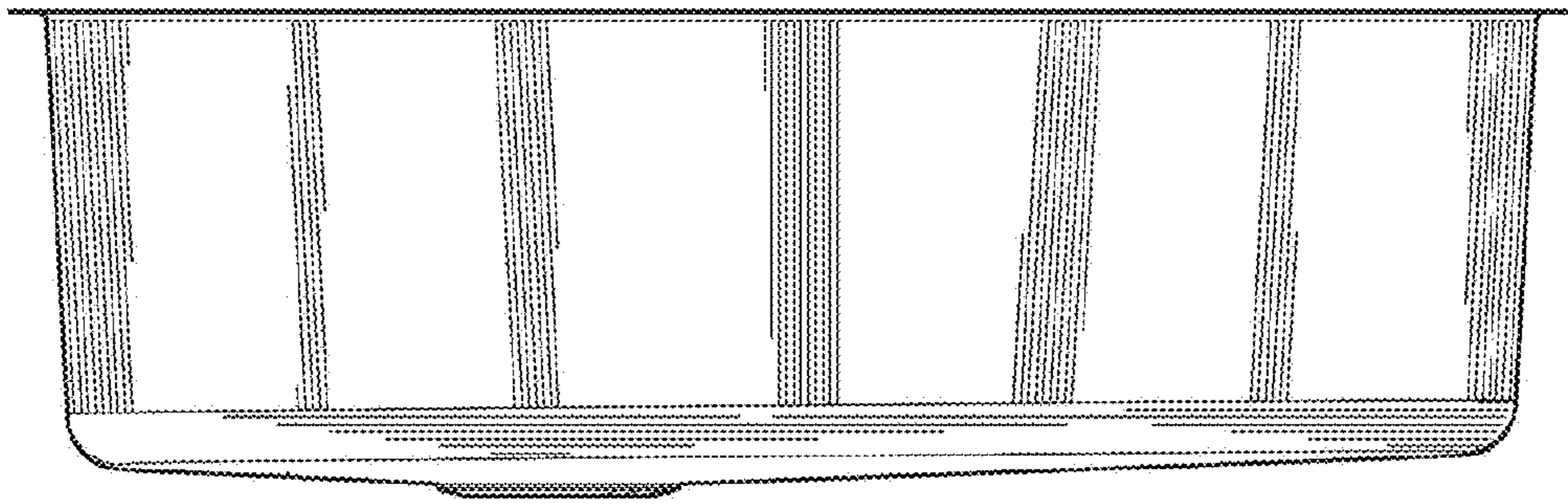


FIG. 2

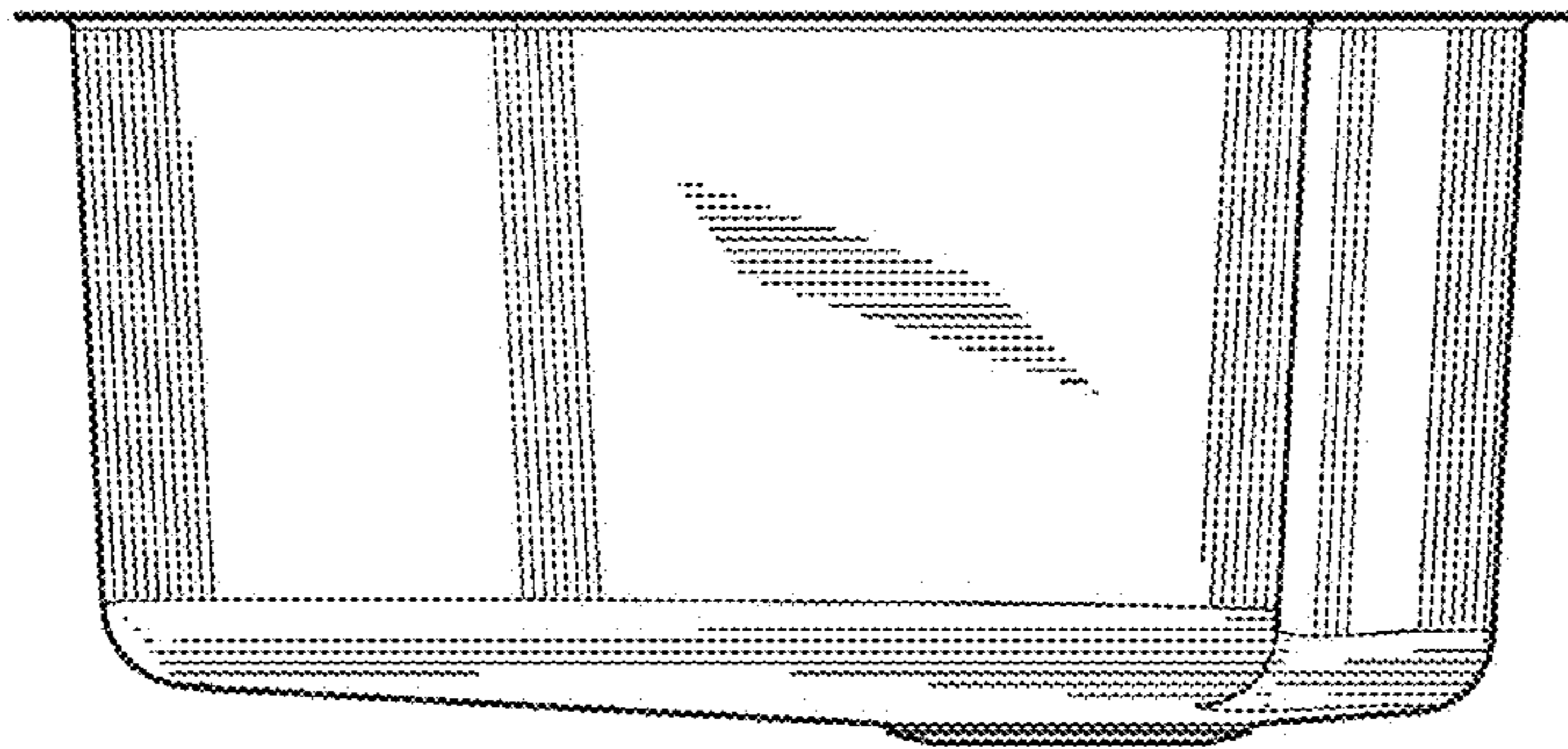


FIG. 3

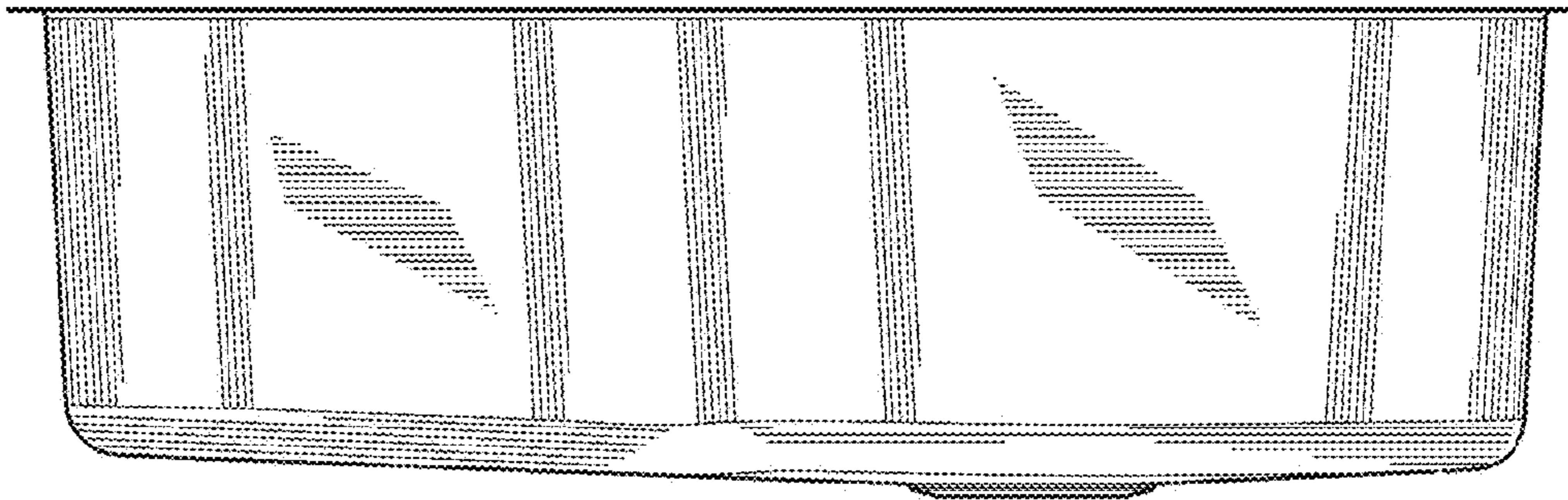


FIG. 4

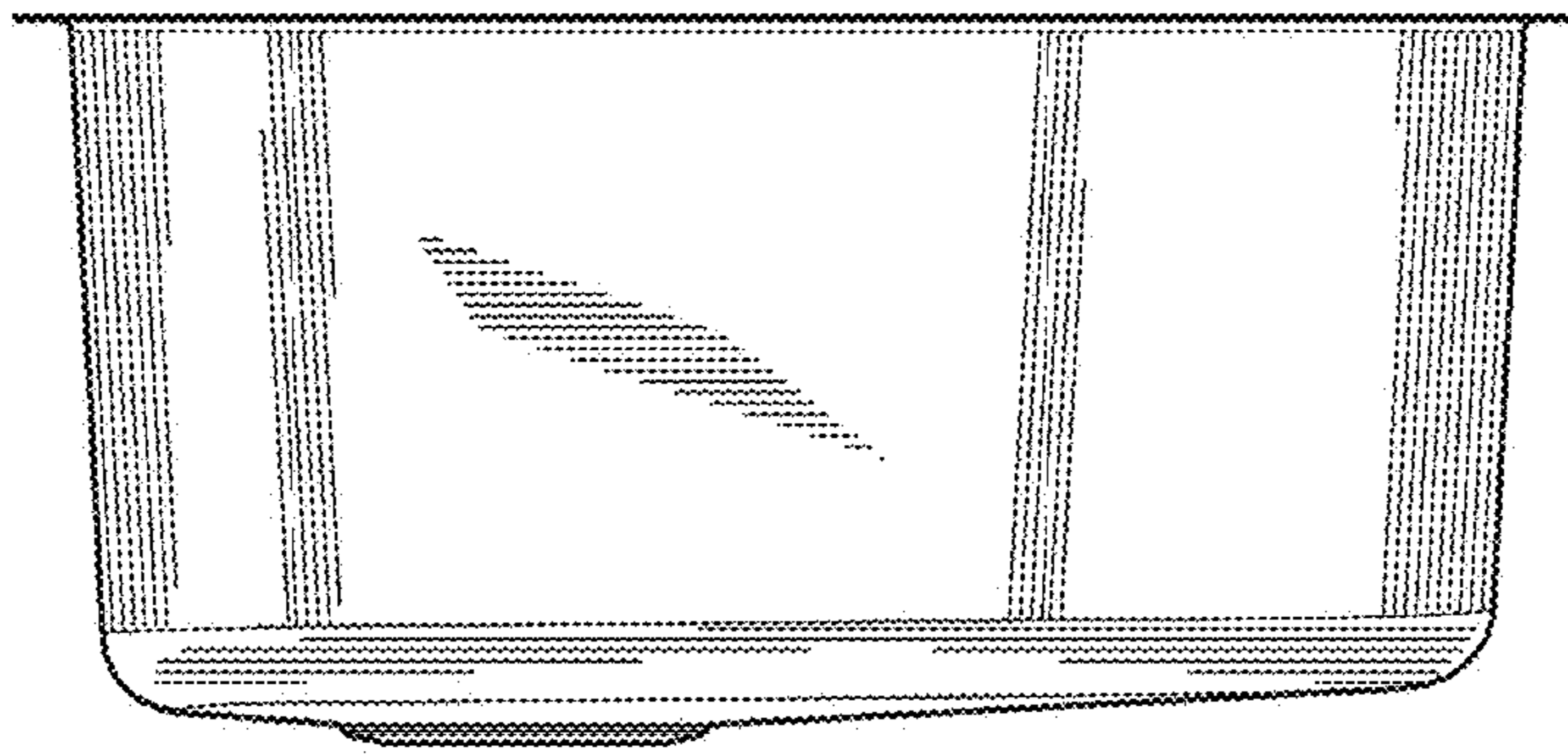


FIG. 5

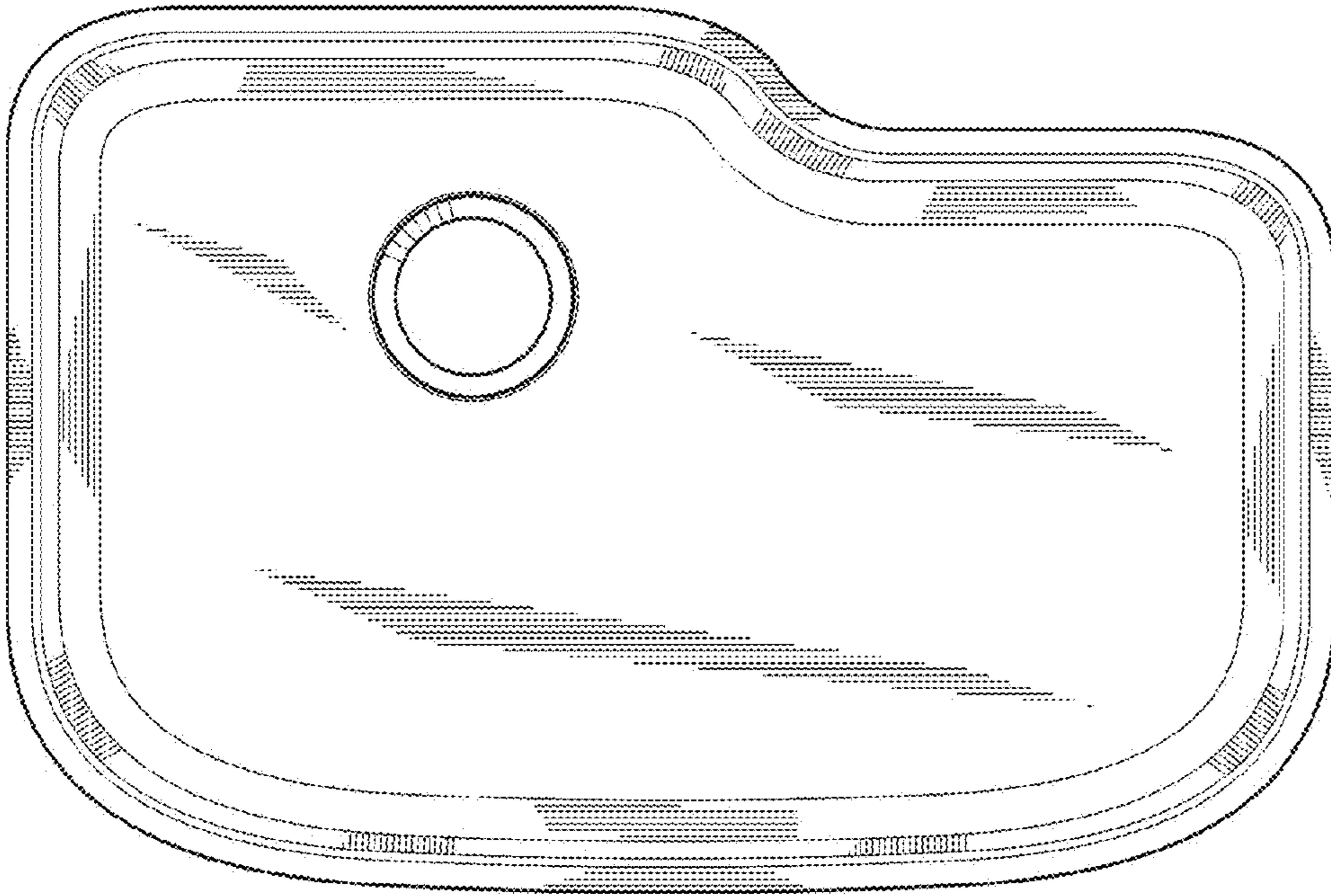


FIG. 6



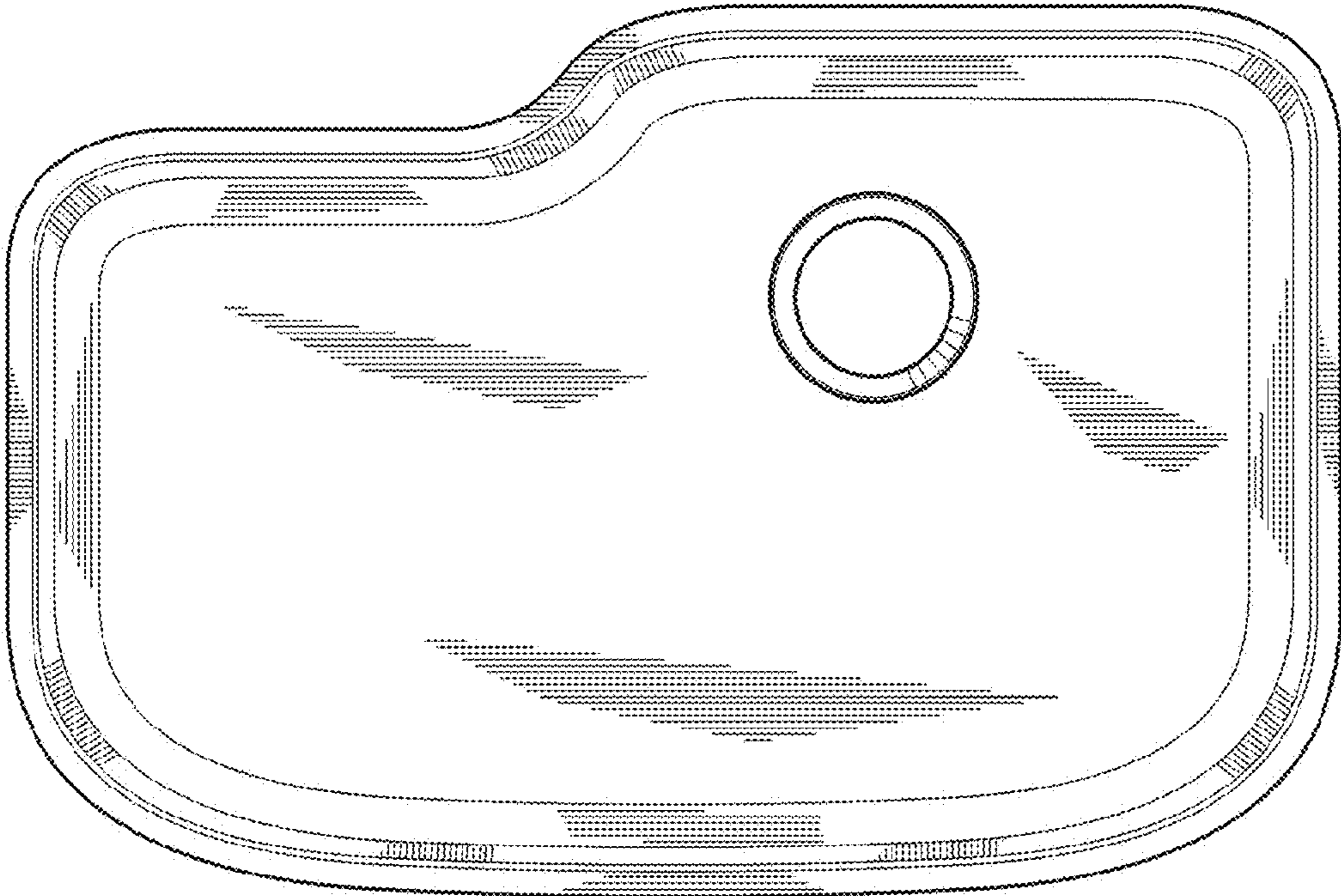


FIG. 7