



US00D699328S

(12) **United States Design Patent**  
**Haynes**

(10) **Patent No.:** **US D699,328 S**  
(45) **Date of Patent:** **\*\* Feb. 11, 2014**

(54) **PERIPHERAL SEALING GLAND FOR ELONGATE OBJECTS PASSING THROUGH A SURFACE OR BEYOND A PIPE END**

(76) Inventor: **Andrew Leo Haynes**, Auckland (NZ)

(\*\*) Term: **14 Years**

(21) Appl. No.: **29/417,018**

(22) Filed: **Mar. 29, 2012**

**Related U.S. Application Data**

(63) Continuation of application No. 12/084,142, filed as application No. PCT/NZ2006/000298 on Oct. 27, 2006.

(30) **Foreign Application Priority Data**

Oct. 27, 2005 (NZ) ..... 543300  
May 18, 2006 (NZ) ..... 547348  
Sep. 11, 2006 (NZ) ..... 549800

(51) **LOC (10) Cl.** ..... **23-01**

(52) **U.S. Cl.**  
USPC ..... **D23/269**

(58) **Field of Classification Search**  
USPC ..... D23/259, 262, 264, 260; 277/602, 608,  
277/625, 626, 910; 285/105, 232, 337, 370,  
285/95

See application file for complete search history.

(56) **References Cited**

U.S. PATENT DOCUMENTS

D380,039	S	*	6/1997	Sutherland et al. ....	D23/269
6,123,339	A	*	9/2000	Otsuji et al. ....	277/602
D525,685	S	*	7/2006	Walton .....	D23/269
D585,968	S	*	2/2009	Elkins et al. ....	D23/259
D593,641	S	*	6/2009	Plank et al. ....	D23/259
2006/0145428	A1	*	7/2006	Dudman .....	277/626
2011/0140371	A1	*	6/2011	Strydom .....	277/609
2011/0266755	A1	*	11/2011	Anderson et al. ....	277/611
2013/0193652	A1	*	8/2013	Whitley .....	277/608

\* cited by examiner

*Primary Examiner* — Eric Goodman

(74) *Attorney, Agent, or Firm* — Foley & Lardner LLP

(57) **CLAIM**

The ornamental design for a peripheral sealing gland for elongate objects passing through a surface or beyond a pipe end, as shown and described.

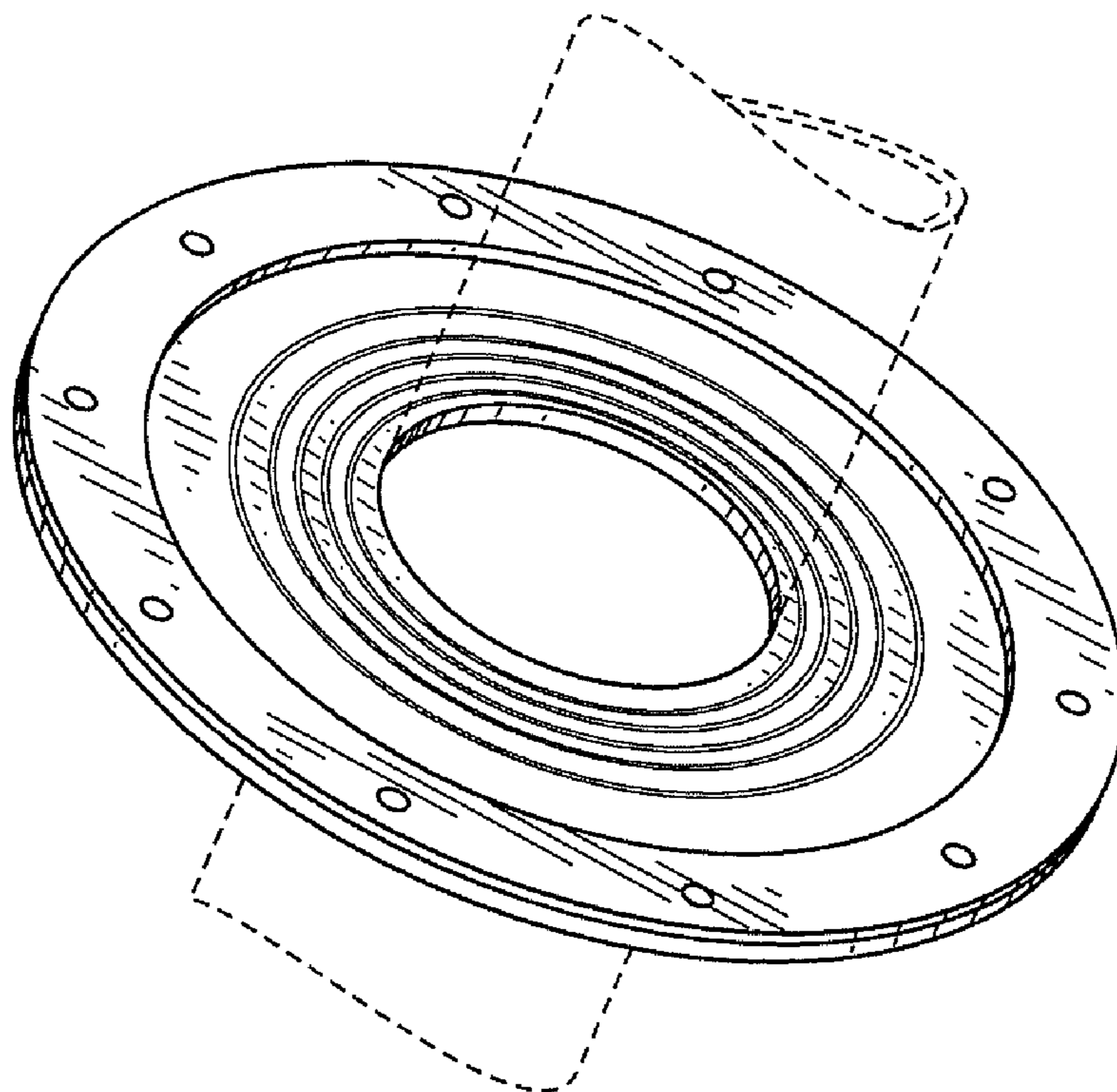
**DESCRIPTION**

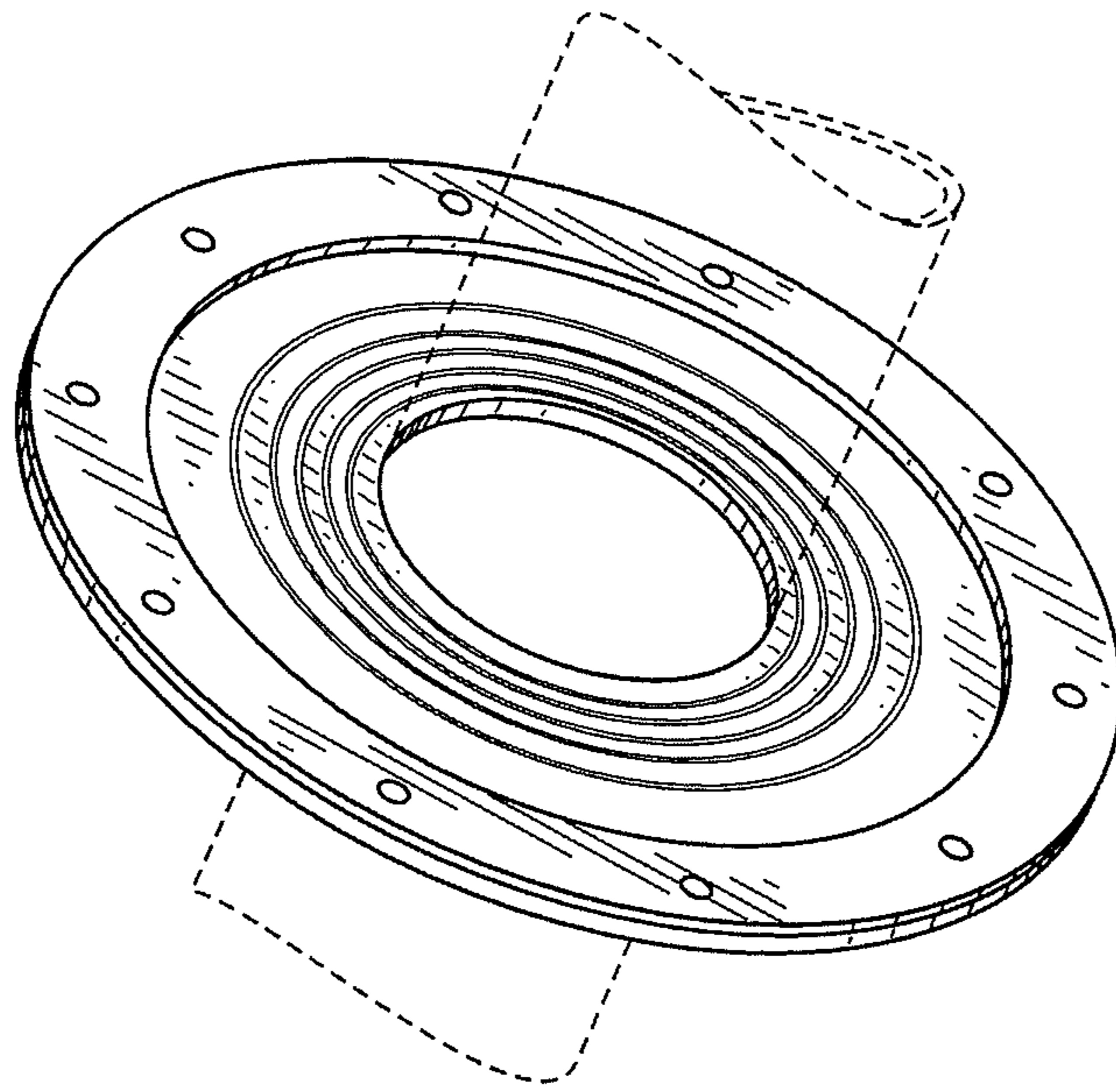
FIG. 1 is a front perspective view of an alternate embodiment, the portion shown in dotted lines is for illustration of a pipe passing through a sealing gland and forms no portion of the claimed design,

FIG. 2 is a top view thereof,

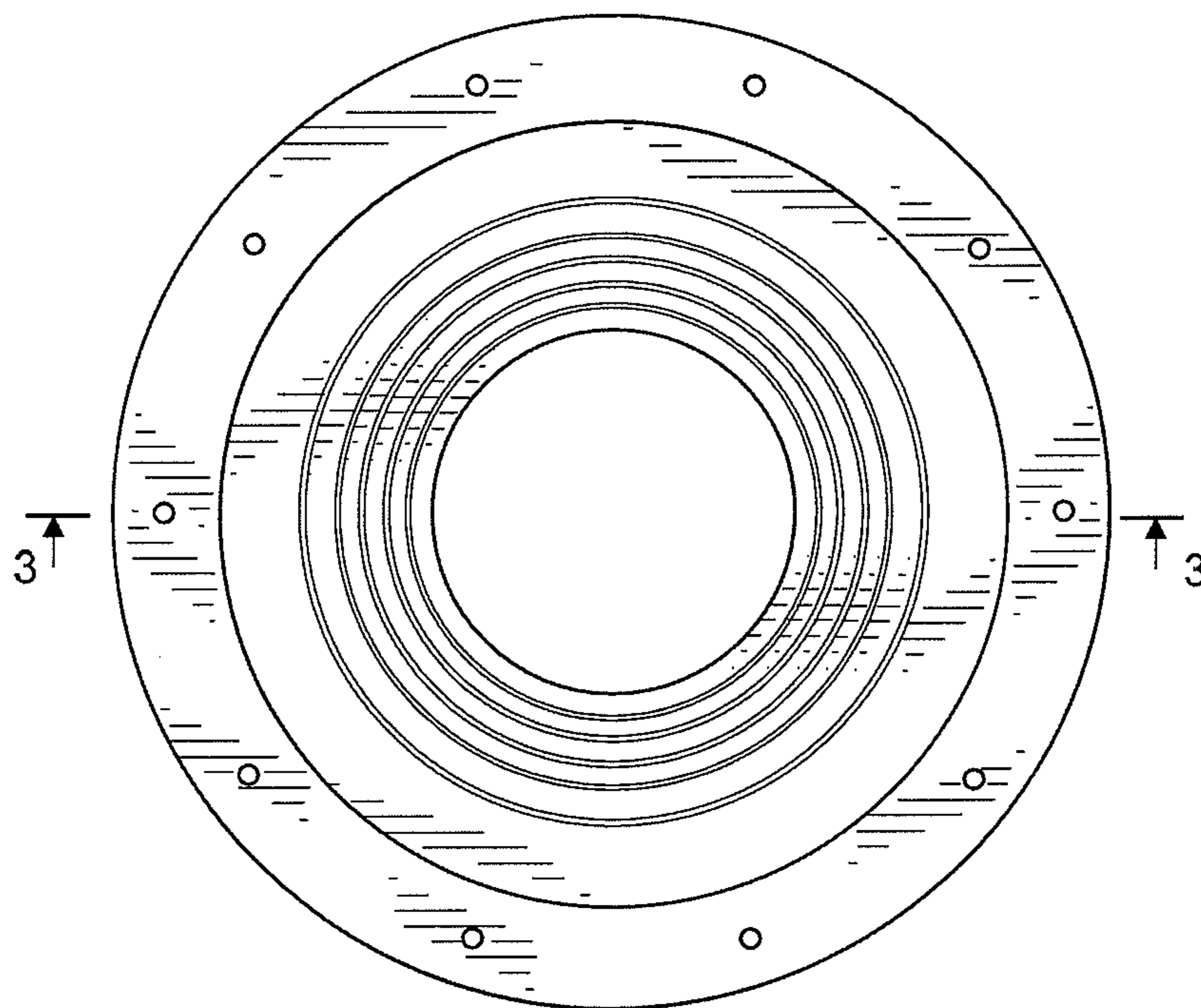
FIG. 3 is a sectional view taken along line 3-3 of FIG. 2; and, FIG. 4 is a bottom view thereof.

**1 Claim, 2 Drawing Sheets**





**FIGURE 1**



**FIGURE 2**



FIGURE 3

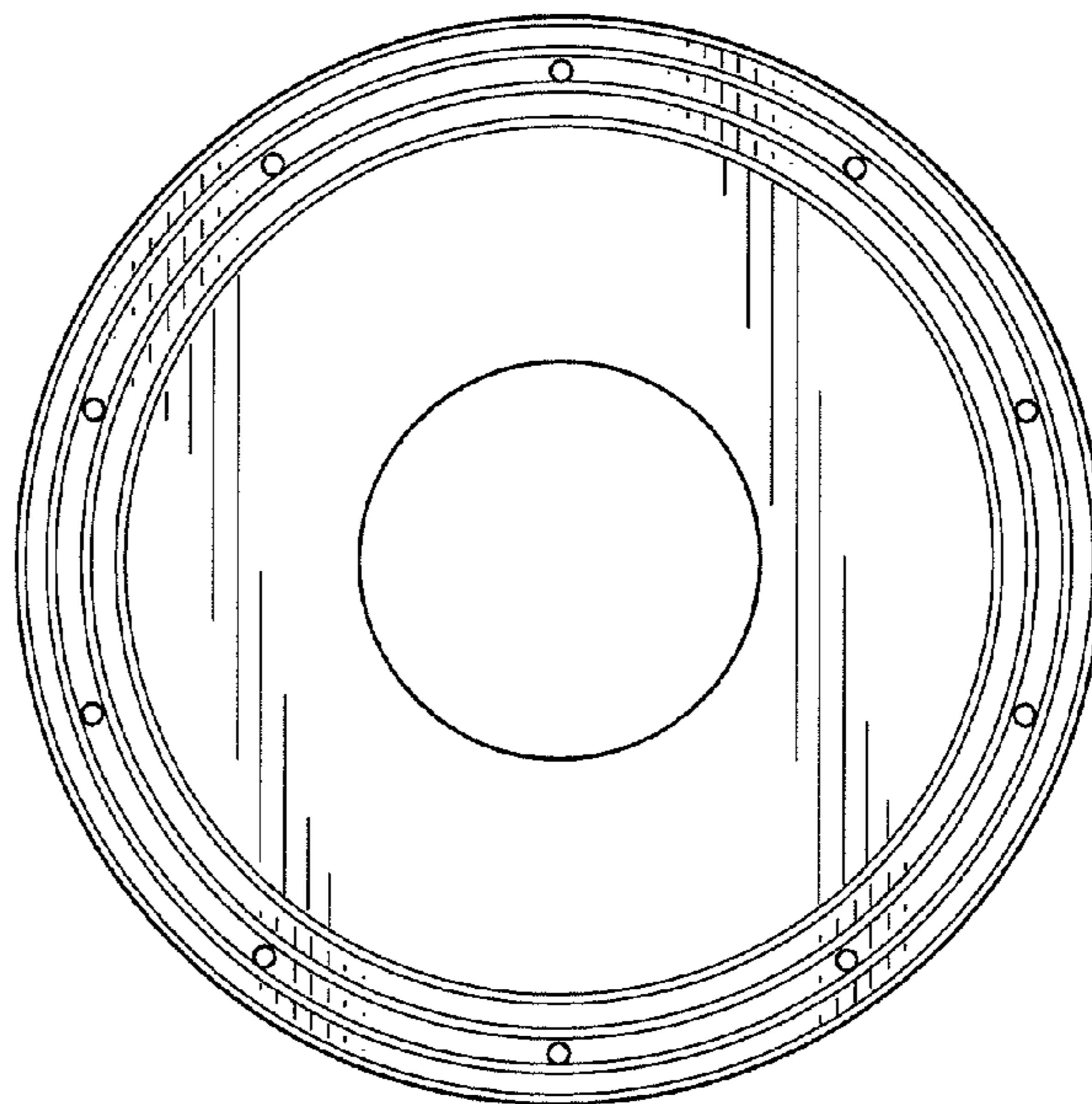


FIGURE 4