

US00D699326S

(12) **United States Design Patent**
Grade et al.

(10) **Patent No.:** **US D699,326 S**

(45) **Date of Patent:** **** Feb. 11, 2014**

(54) **VALVE LOCKOUT DEVICE**

(75) Inventors: **Paul Grade**, Port Washington, WI (US);
Christopher J. Rohde, West Allis, WI (US)

(73) Assignee: **Brady Worldwide, Inc.**, Milwaukee, WI (US)

(**) Term: **14 Years**

(21) Appl. No.: **29/428,846**

(22) Filed: **Aug. 3, 2012**

(51) **LOC (10) Cl.** **23-01**

(52) **U.S. Cl.**

USPC **D23/249**

(58) **Field of Classification Search**

USPC D23/233–237, 244–249; 137/385,
137/384.8; 251/95, 93, 113, 70, 90, 179

See application file for complete search history.

(56) **References Cited**

U.S. PATENT DOCUMENTS

1,104,022	A *	7/1914	Tuttle	70/180
1,322,721	A *	11/1919	Noonan	137/385
3,960,168	A *	6/1976	Plympton	137/385
4,126,023	A	11/1978	Smith et al.	
4,498,320	A	2/1985	Mullis	
4,513,773	A	4/1985	Hardiman, Jr.	
4,971,289	A	11/1990	Pietras	
5,014,528	A	5/1991	Roberts	
5,052,655	A	10/1991	Ackroyd	
5,115,834	A	5/1992	Champagne	
5,165,263	A *	11/1992	Perron et al.	70/177
5,222,382	A	6/1993	De Vizzi	
5,299,597	A	4/1994	Fort et al.	
5,323,805	A	6/1994	Scaramucci	
5,365,759	A *	11/1994	Bonomi	70/177
5,368,066	A	11/1994	Scaramucci	
5,411,048	A	5/1995	Massey	
5,415,017	A	5/1995	Benda et al.	
5,447,135	A *	9/1995	Norkus	123/401

5,579,804	A	12/1996	Roberts
5,598,724	A	2/1997	Primeau
5,709,112	A	1/1998	Kennedy
6,119,494	A	9/2000	Whitfield
6,148,851	A	11/2000	Friedline et al.
6,260,819	B1	7/2001	Ovsepyan
6,622,536	B1	9/2003	Fuller et al.
6,959,909	B2	11/2005	Bancroft et al.
7,044,148	B2	5/2006	Berger et al.
7,114,698	B2	10/2006	Espinoza
7,117,884	B2	10/2006	Shuter
7,207,198	B2	4/2007	Benda
7,731,153	B2	6/2010	Miklo et al.

OTHER PUBLICATIONS

Brady Worldwide, Inc., Valve Lockout, Website: Home>Products>Lockout Tagout>Valve Lockout, accessed Aug. 3, 2012.

* cited by examiner

Primary Examiner — Cynthia Ramirez

(74) *Attorney, Agent, or Firm* — Quarles & Brady LLP

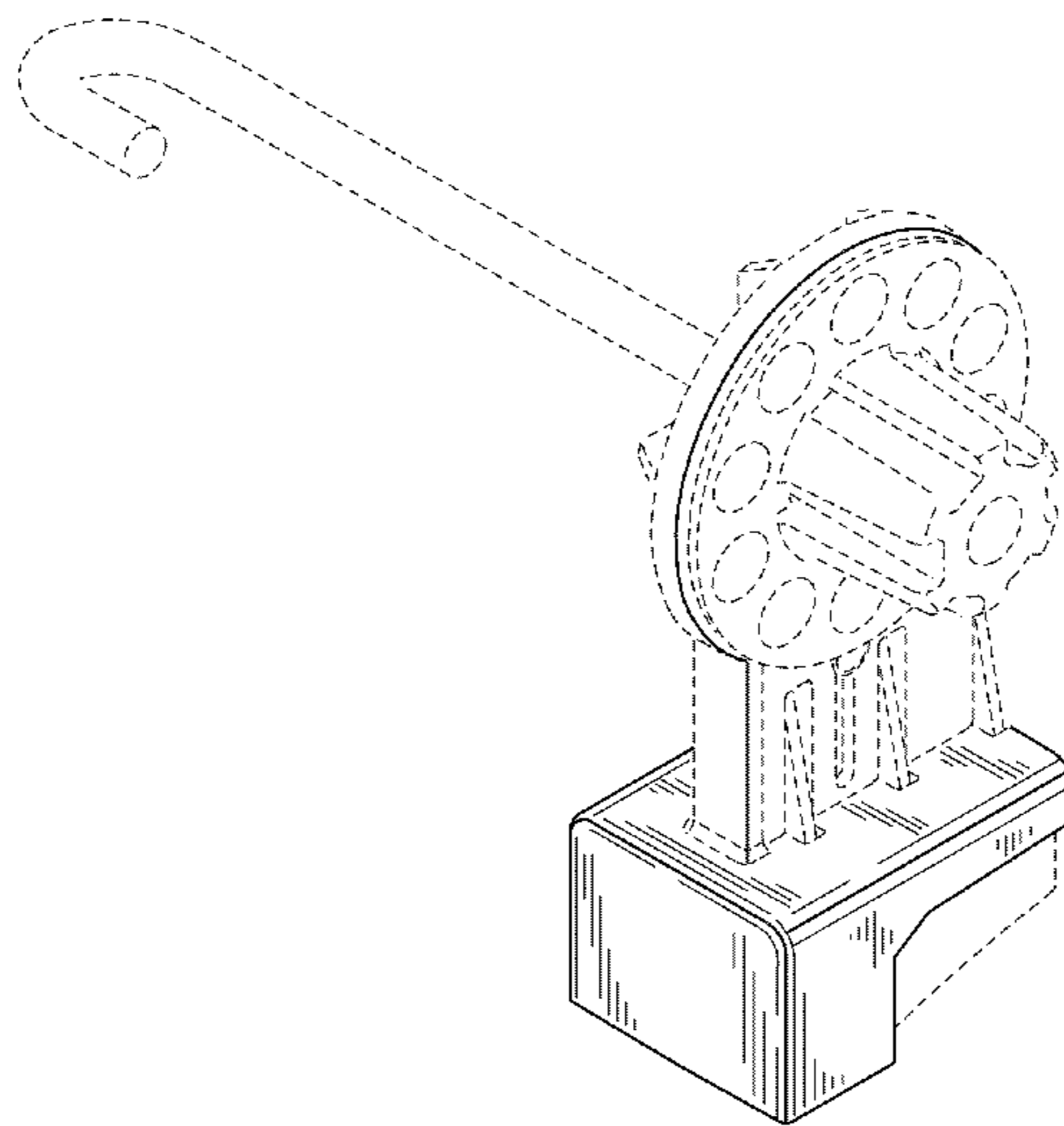
(57) **CLAIM**

The ornamental design for a valve lockout device, as shown and described.

DESCRIPTION

FIG. 1 is a front isometric view of a valve lockout device embodying our new design; FIG. 2 is a rear isometric view thereof; FIG. 3 is a front elevation view thereof; FIG. 4 is a top plan view thereof; FIG. 5 is a left side elevation view thereof; FIG. 6 is a right side elevation view thereof; FIG. 7 is a rear elevation view thereof; and, FIG. 8 is a bottom plan view thereof. The dash-dash broken line representations in the figures are for the purpose of illustrating unclaimed environment of the claimed design.

1 Claim, 5 Drawing Sheets



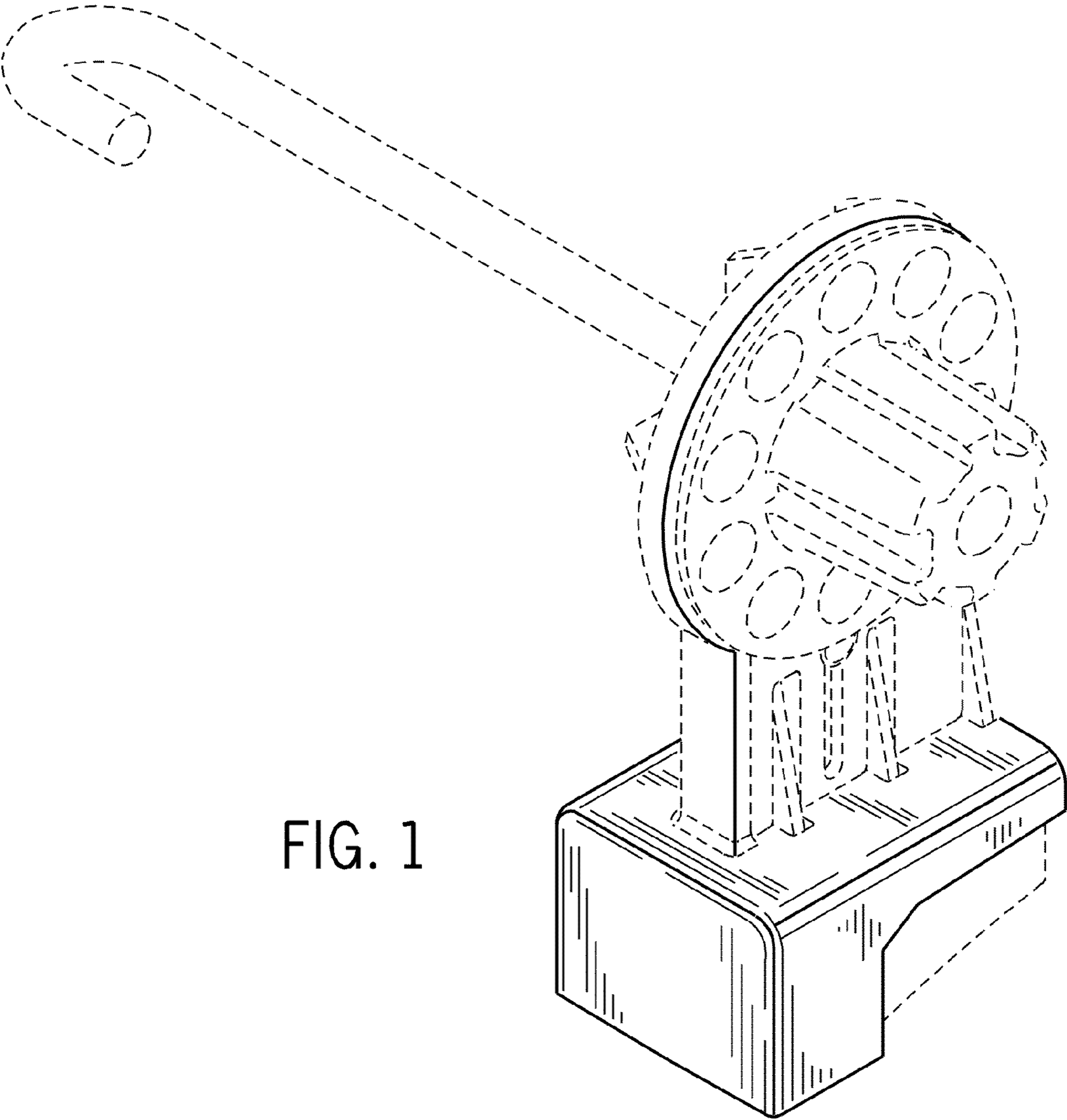


FIG. 1

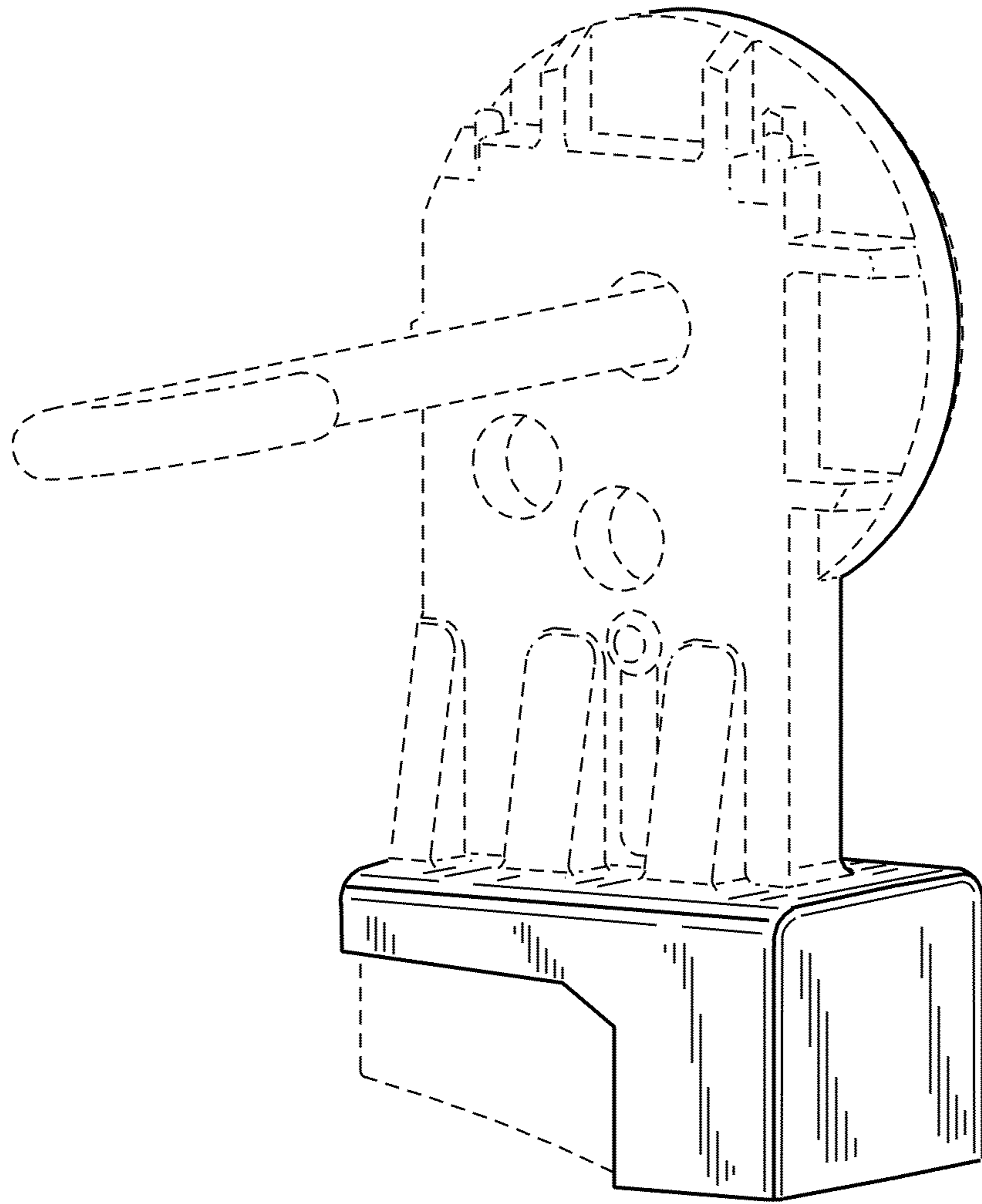


FIG. 2

FIG. 3

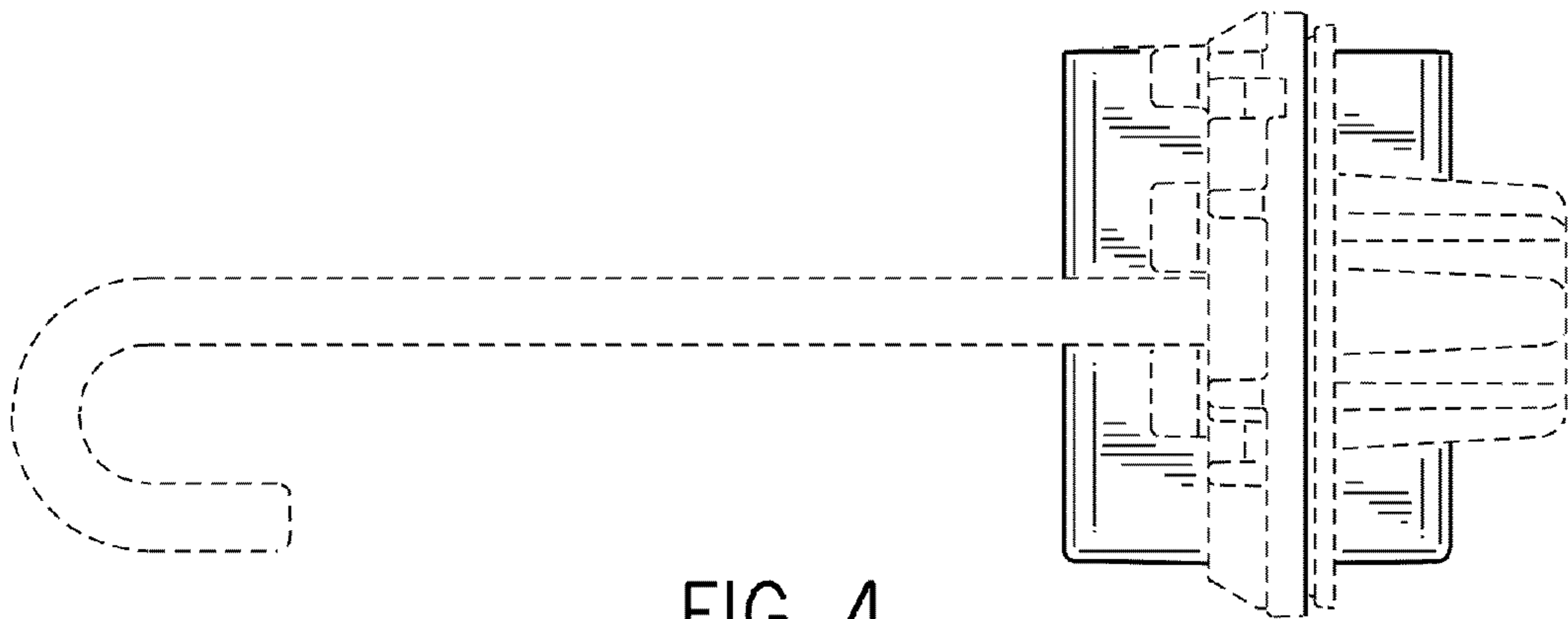
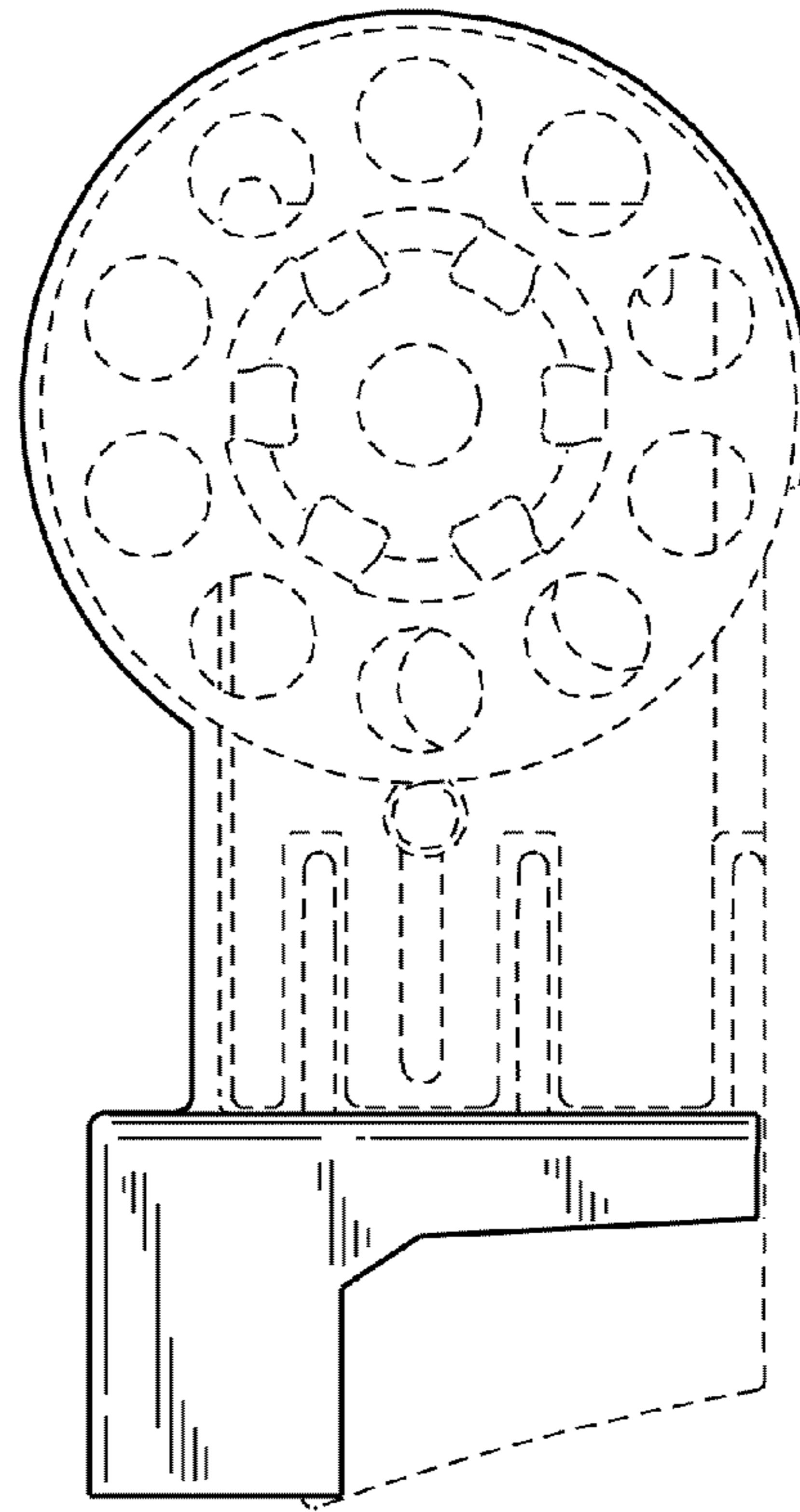


FIG. 4

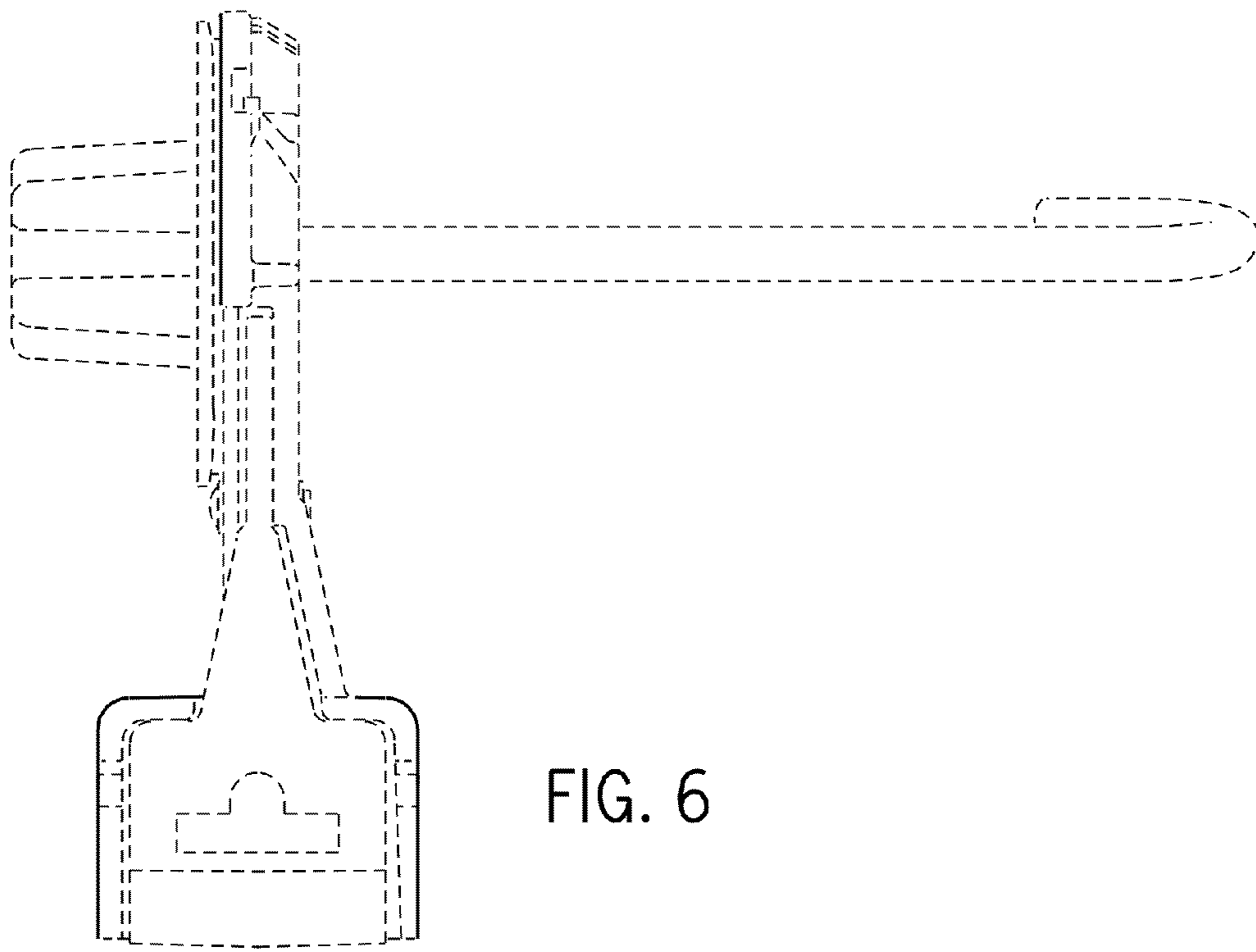
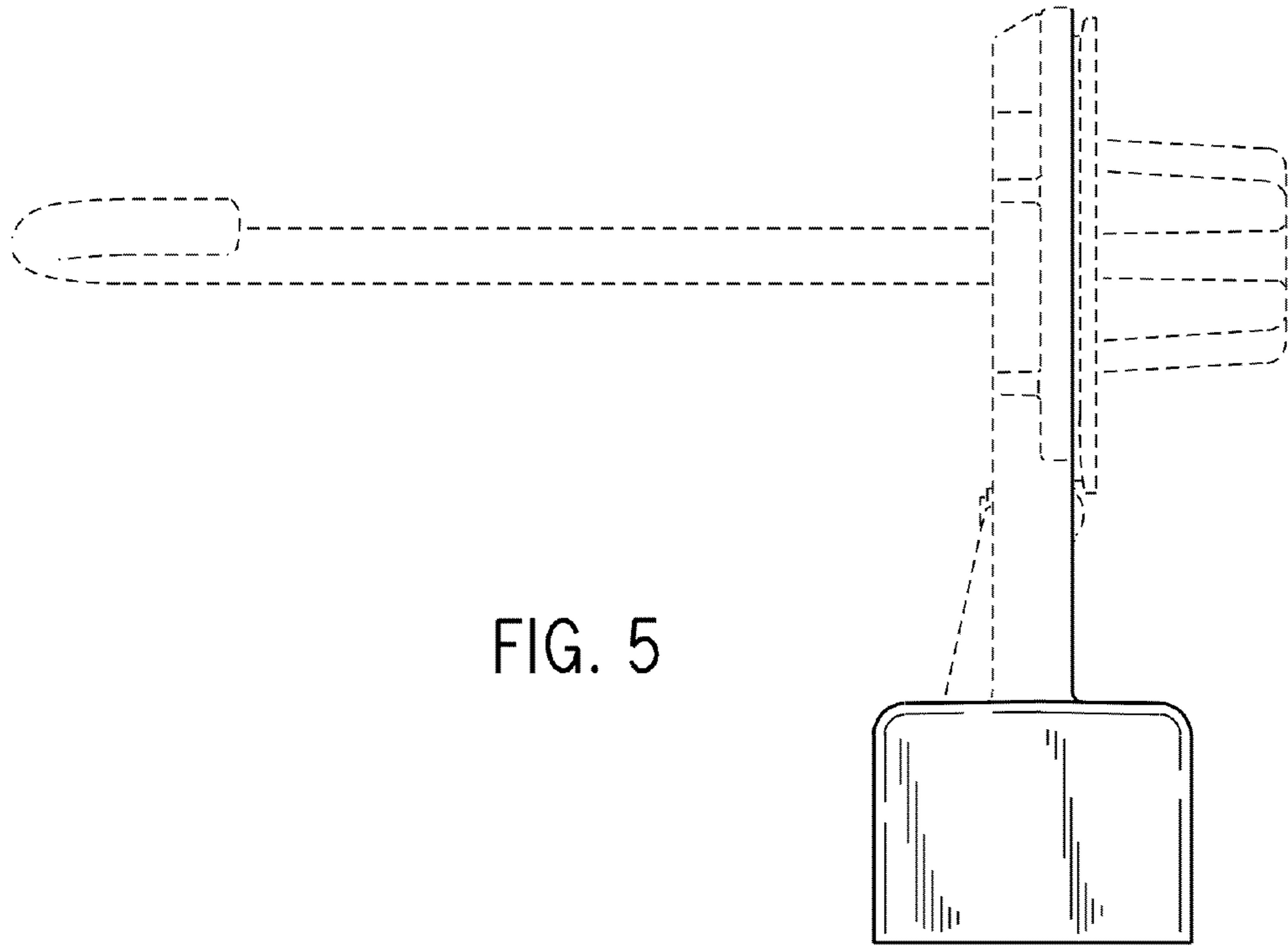


FIG. 7

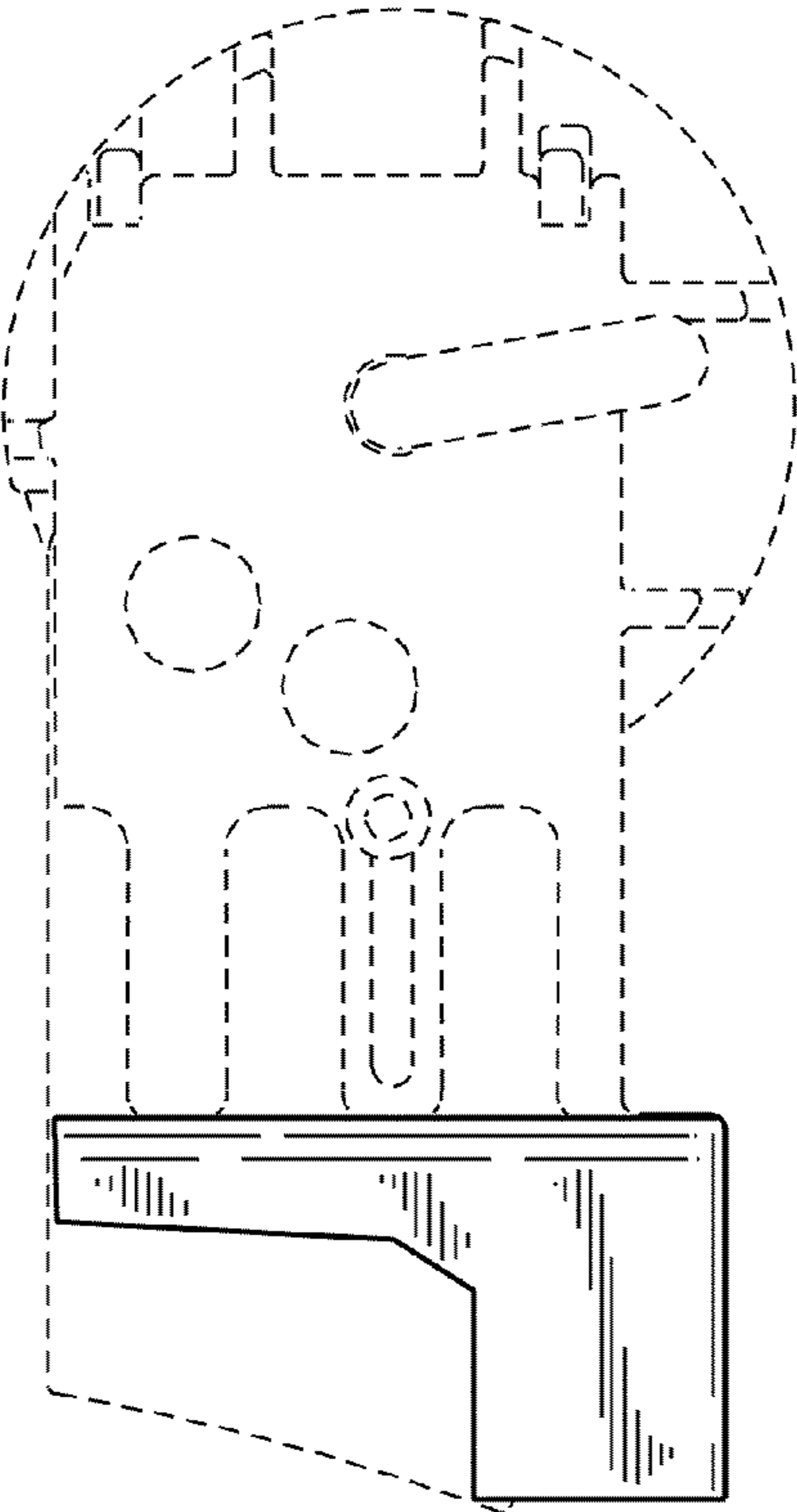


FIG. 8

