

US00D699324S

(12) **United States Design Patent**
Tarng

(10) **Patent No.:** **US D699,324 S**

(45) **Date of Patent:** **** Feb. 11, 2014**

(54) **FAUCETS**

(56) **References Cited**

(71) Applicant: **Shao-Hwa Tarng**, Changhua County
(TW)

U.S. PATENT DOCUMENTS

D432,635 S * 10/2000 Spangler D23/255
D505,483 S * 5/2005 Bayer D23/252
D534,623 S * 1/2007 Fritz D23/238

(72) Inventor: **Shao-Hwa Tarng**, Changhua County
(TW)

* cited by examiner

(**) Term: **14 Years**

Primary Examiner — Robert Delehanty
(74) *Attorney, Agent, or Firm* — Jackson IPG PLLC

(21) Appl. No.: **29/458,920**

(57) **CLAIM**
The new design for faucets, as shown and described.

(22) Filed: **Jun. 24, 2013**

DESCRIPTION

(51) **LOC (10) Cl.** **23-02**

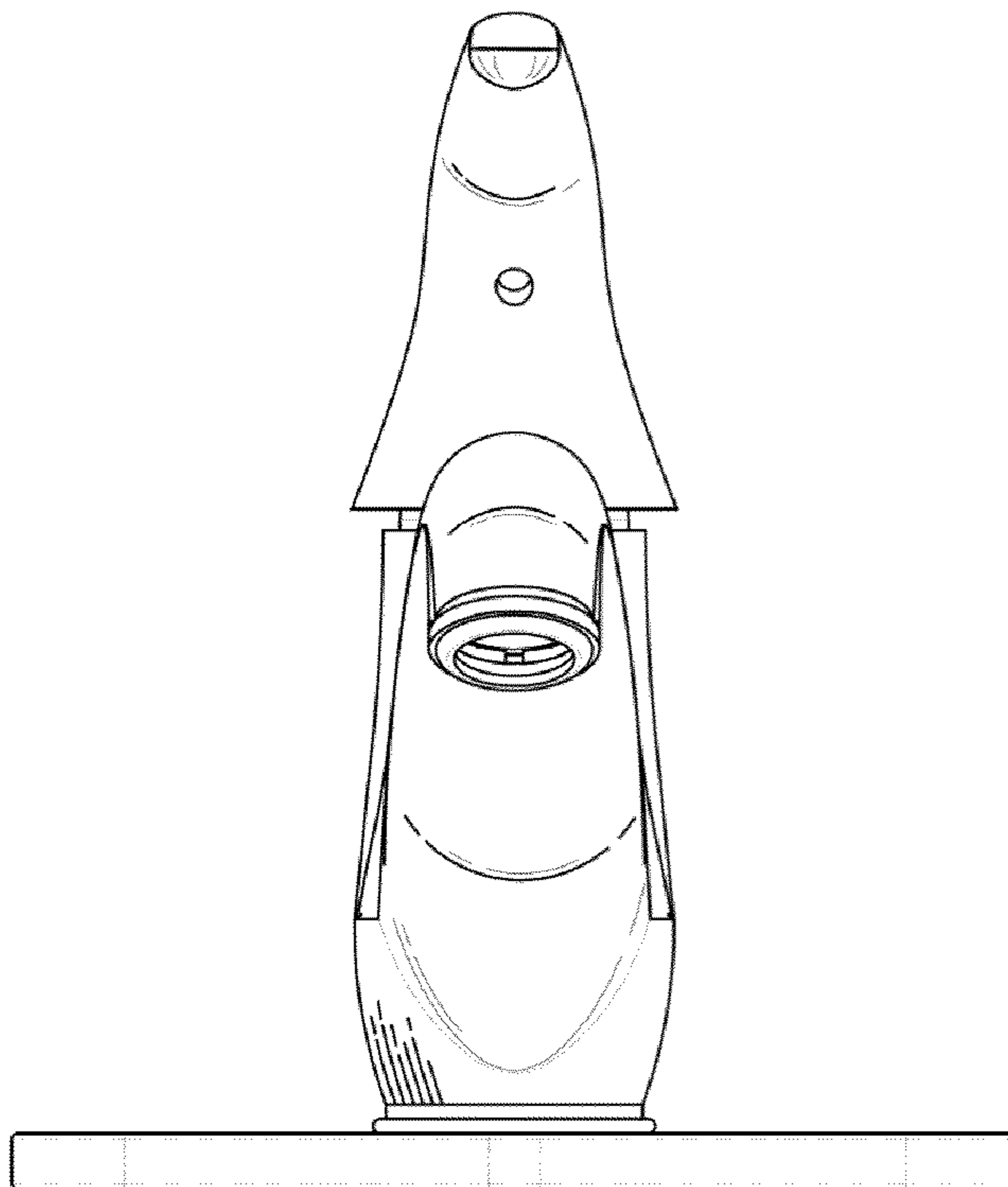
(52) **U.S. Cl.**
USPC **D23/238**

(58) **Field of Classification Search**
USPC D23/238–243, 250, 252, 255;
4/675–678; 137/801, 359; D8/350–358

FIG. 1 is a front view of faucets showing my new design;
FIG. 2 is a rear view thereof;
FIG. 3 is a left view thereof;
FIG. 4 is a right view thereof;
FIG. 5 is a top view thereof;
FIG. 6 is a bottom view thereof; and,
FIG. 7 is an elevational view thereof.
Those portions of the illustrated design indicated by broken lines form no part of the claimed design.

See application file for complete search history.

1 Claim, 5 Drawing Sheets



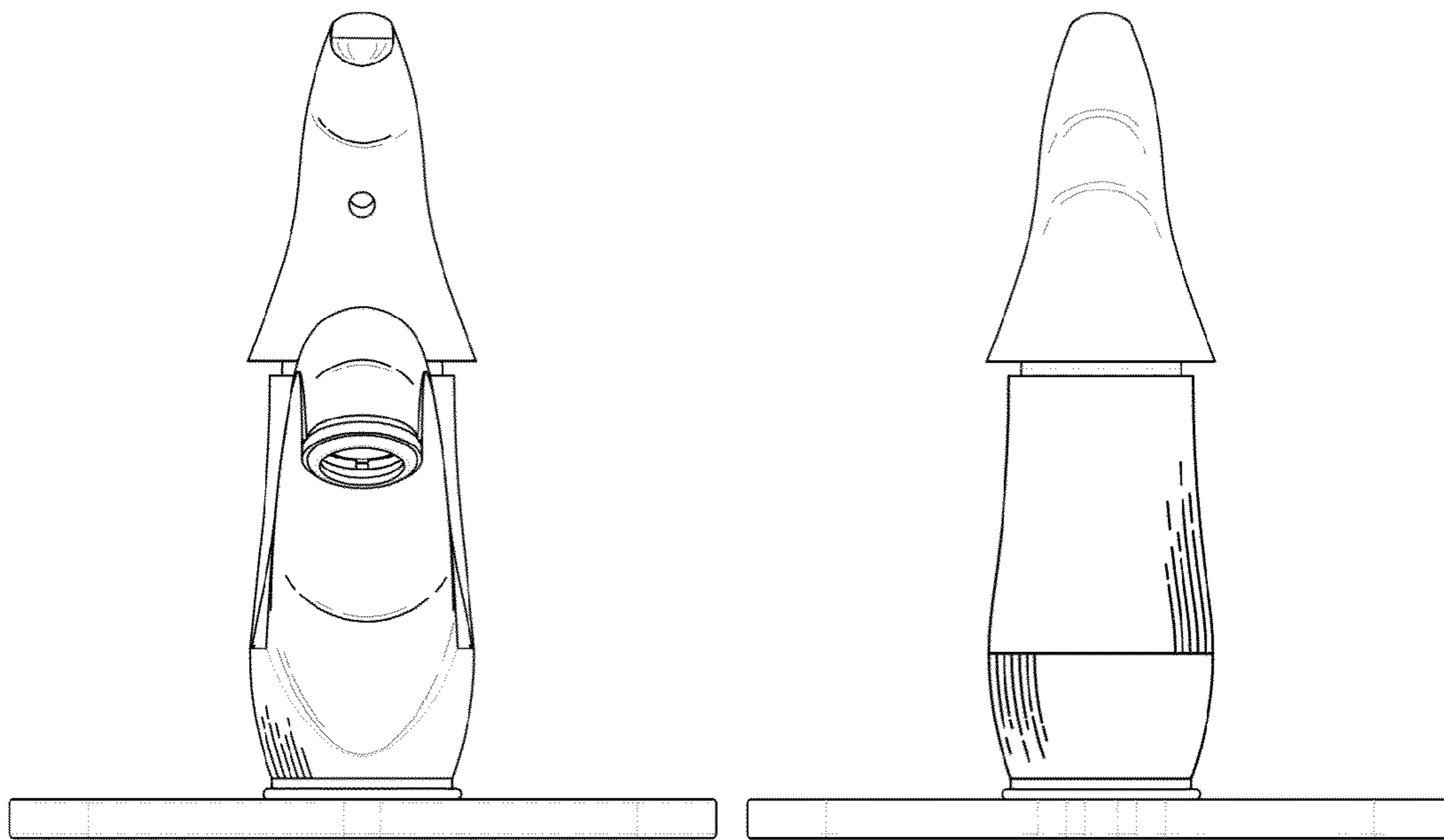


Fig. 1

Fig. 2

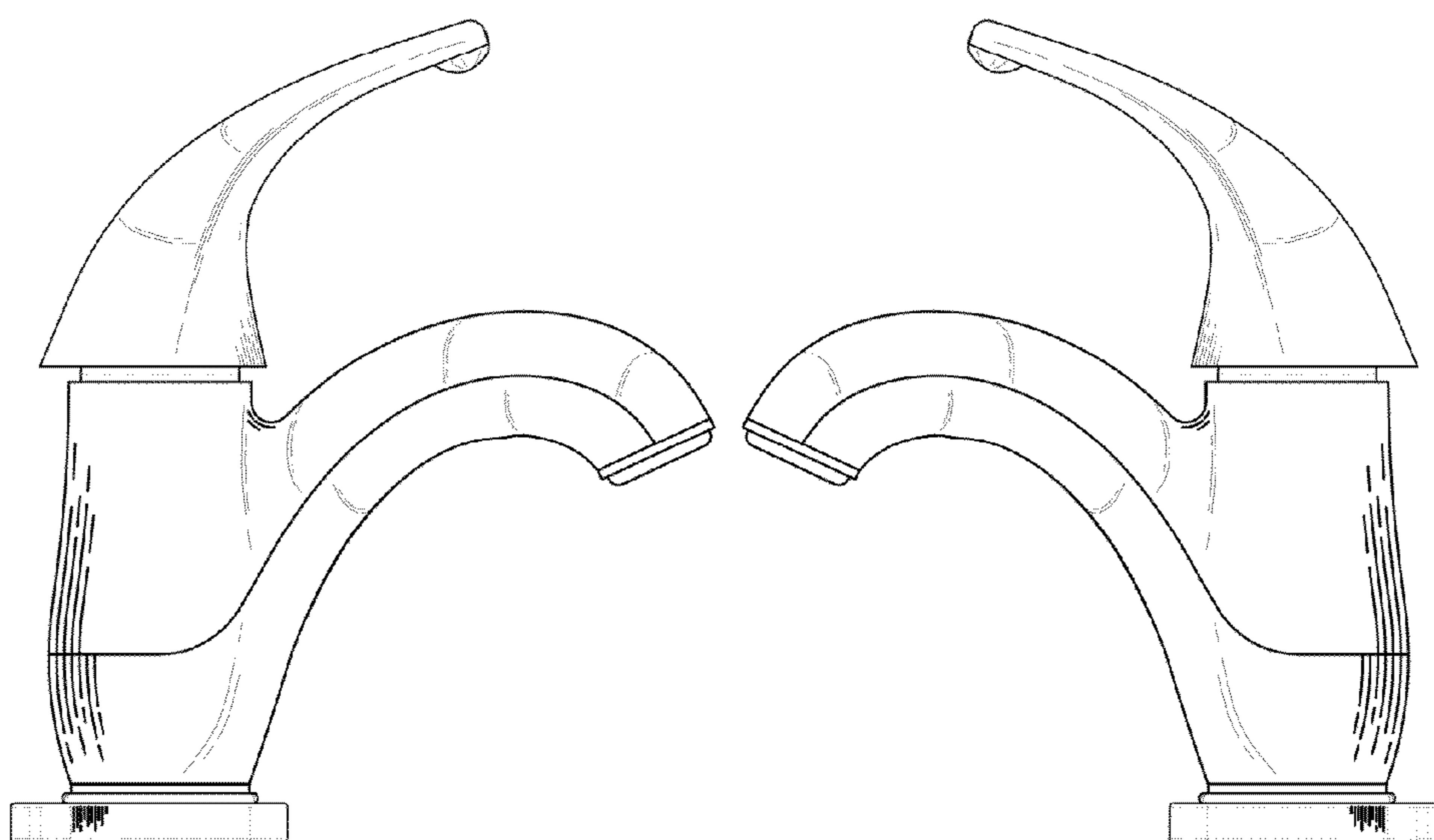


Fig. 3

Fig. 4

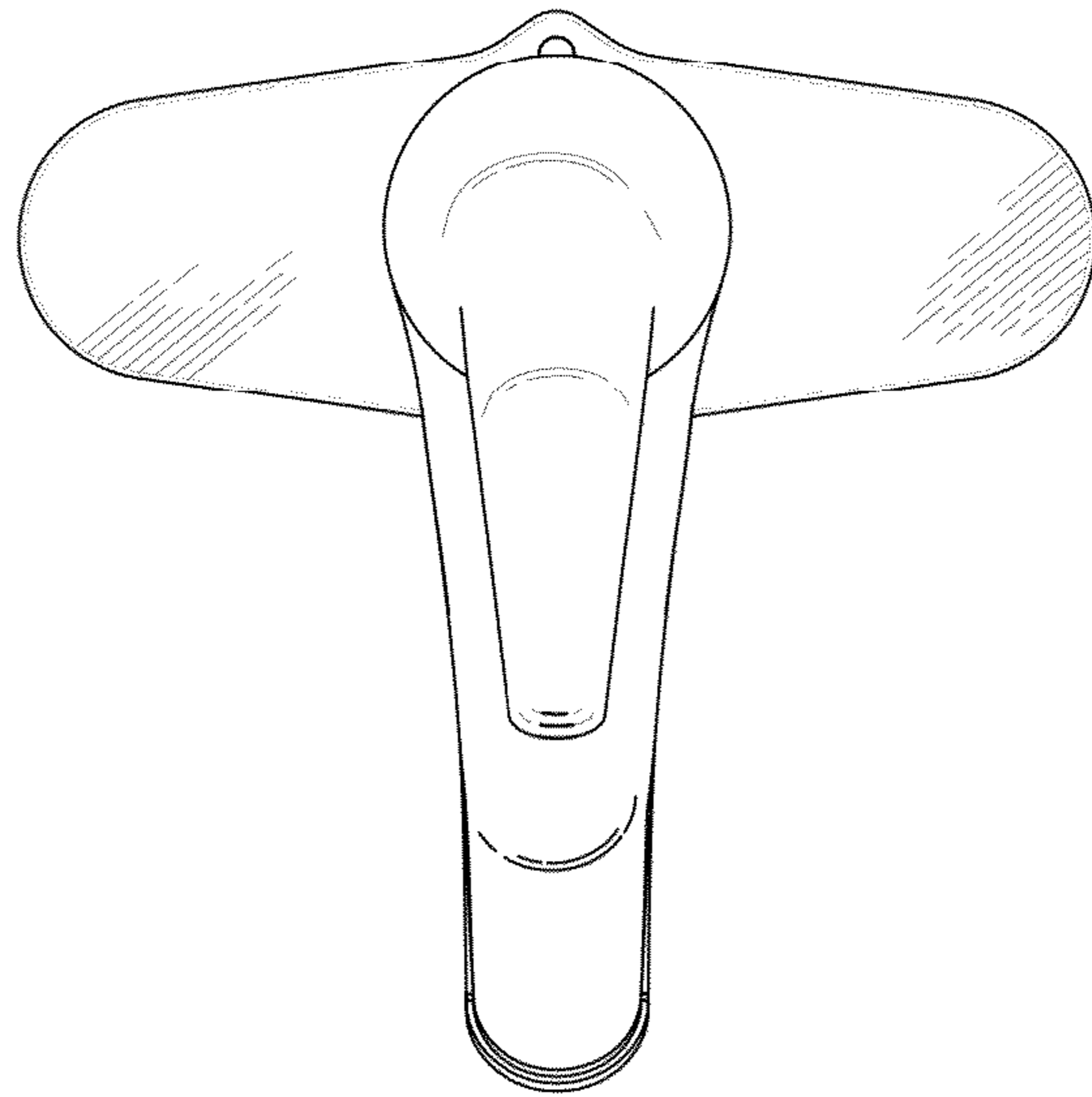


Fig. 5

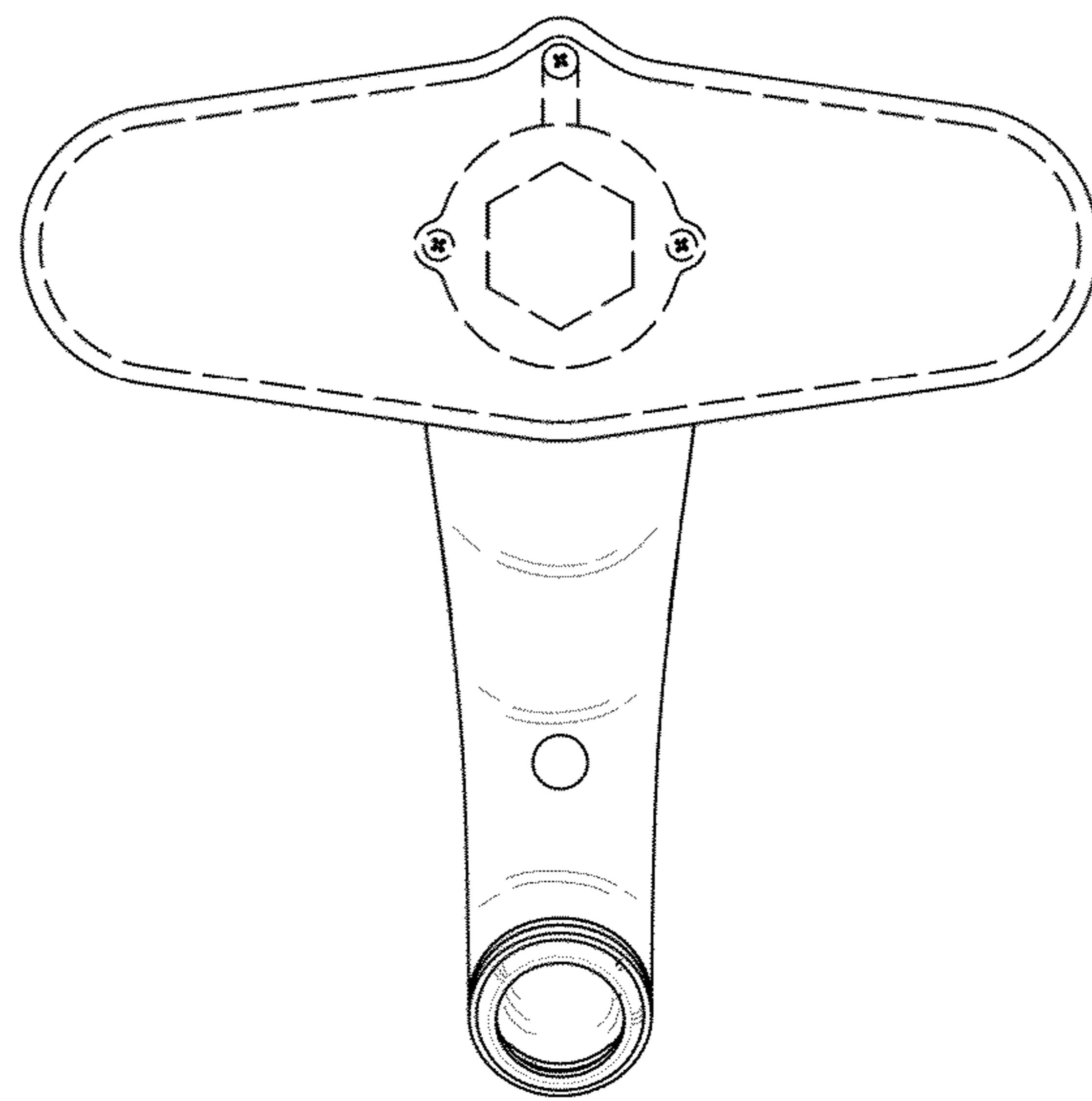


Fig. 6



Fig. 7