



US00D699322S

(12) **United States Design Patent**
Matias et al.

(10) **Patent No.:** **US D699,322 S**

(45) **Date of Patent:** **** Feb. 11, 2014**

(54) **VALVE COVER**

(71) Applicant: **Grupo Guascor, S.L.**, Olean, NY (US)

(72) Inventors: **Juan Jose Recio Matias**, Alava (ES);
Juan Carlos Vicente Oroquieta, Alava (ES);
Eva Garmendia Perez de Albeniz, Vitoria (ES)

(73) Assignee: **Grupo Guascor, S.L.**, Olean, NY (US)

(**) Term: **14 Years**

(21) Appl. No.: **29/434,011**

(22) Filed: **Oct. 9, 2012**

(30) **Foreign Application Priority Data**

May 11, 2012 (EM) 002040154-0001

(51) **LOC (10) Cl.** **23-01**

(52) **U.S. Cl.**
USPC **D23/233**

(58) **Field of Classification Search**
USPC D23/233-237, 244-249, 260, 261;
251/129.04, 30.01-30.05, 45, 129.03;
137/377, 381, 382, 382.5; 4/302, 304,
4/305, 313, 406, DIG. 3; 220/724, 726

See application file for complete search history.

(56) **References Cited**

U.S. PATENT DOCUMENTS

D355,478 S * 2/1995 Allen et al. D23/249
D629,069 S * 12/2010 Parsons et al. D23/233
D662,605 S * 6/2012 Perrin et al. D24/232

* cited by examiner

Primary Examiner — Cynthia Ramirez

(74) *Attorney, Agent, or Firm* — Edmonds & Nolte, PC

(57) **CLAIM**

The ornamental design for a valve cover, as shown and described.

DESCRIPTION

FIG. 1 is a perspective view of a valve cover showing our new design;

FIG. 2 is a top view thereof;

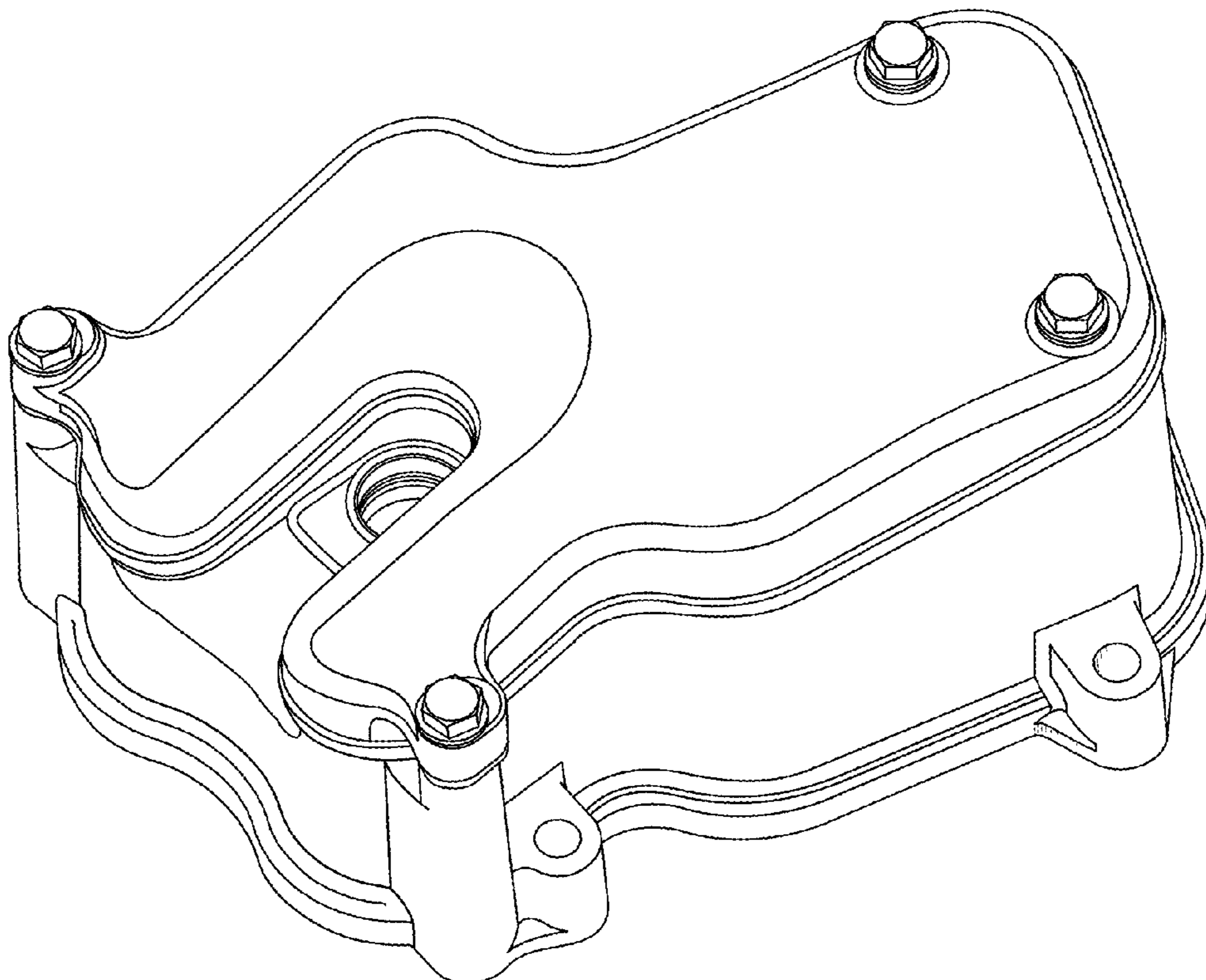
FIG. 3 is a front side view thereof;

FIG. 4 is a rear view thereof;

FIG. 5 is a side view thereof; and,

FIG. 6 is another side view thereof.

1 Claim, 4 Drawing Sheets



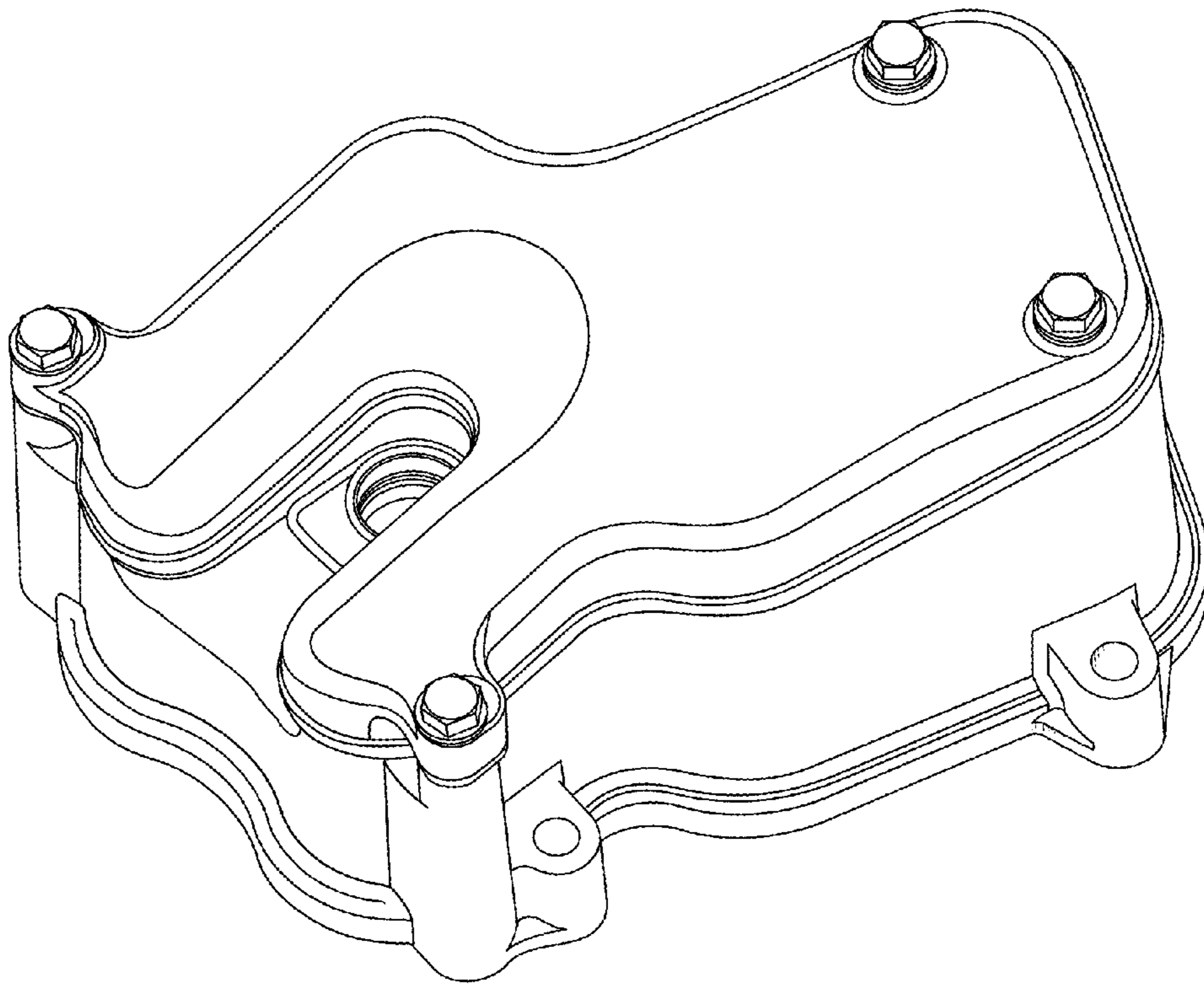


FIG. 1

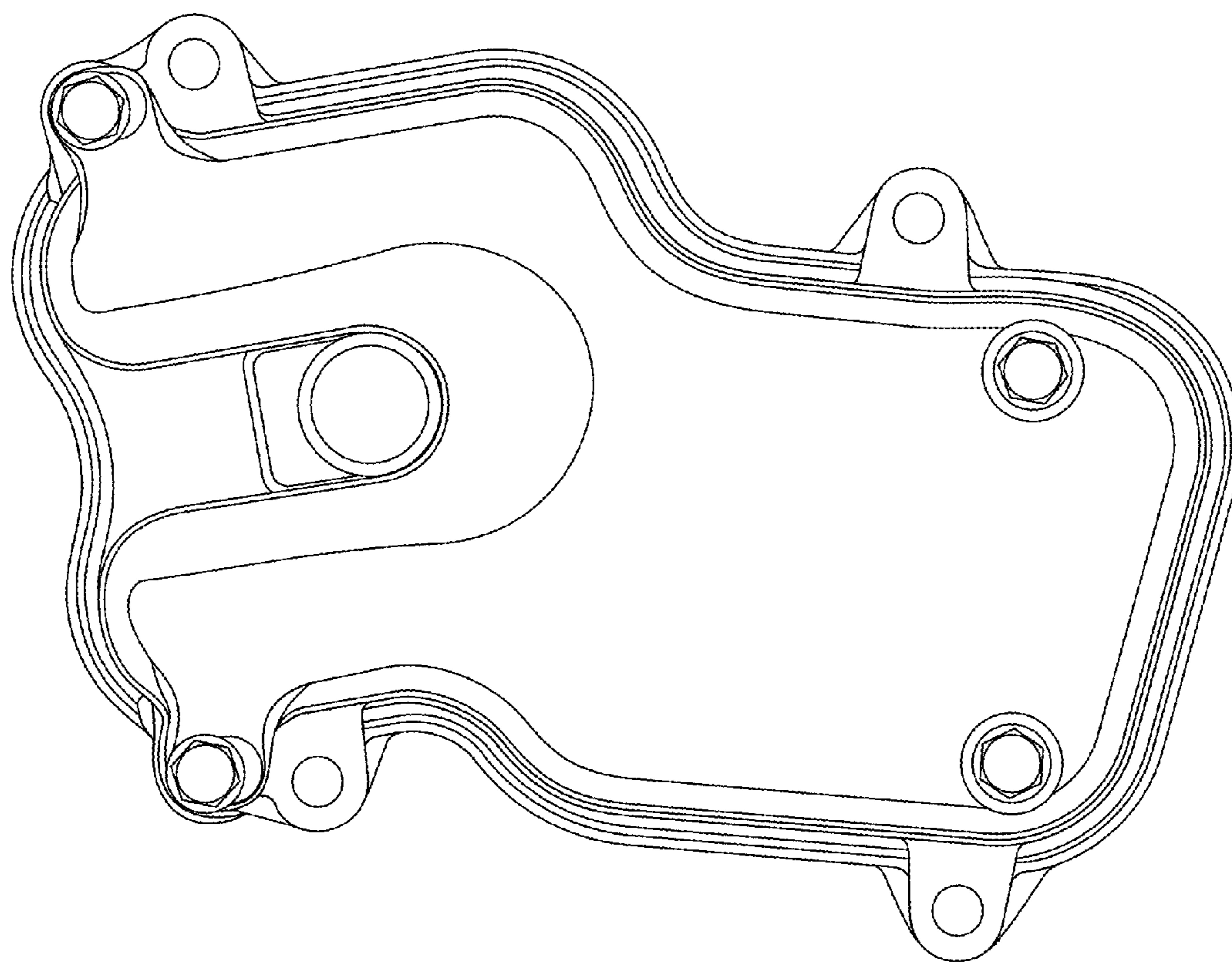


FIG. 2

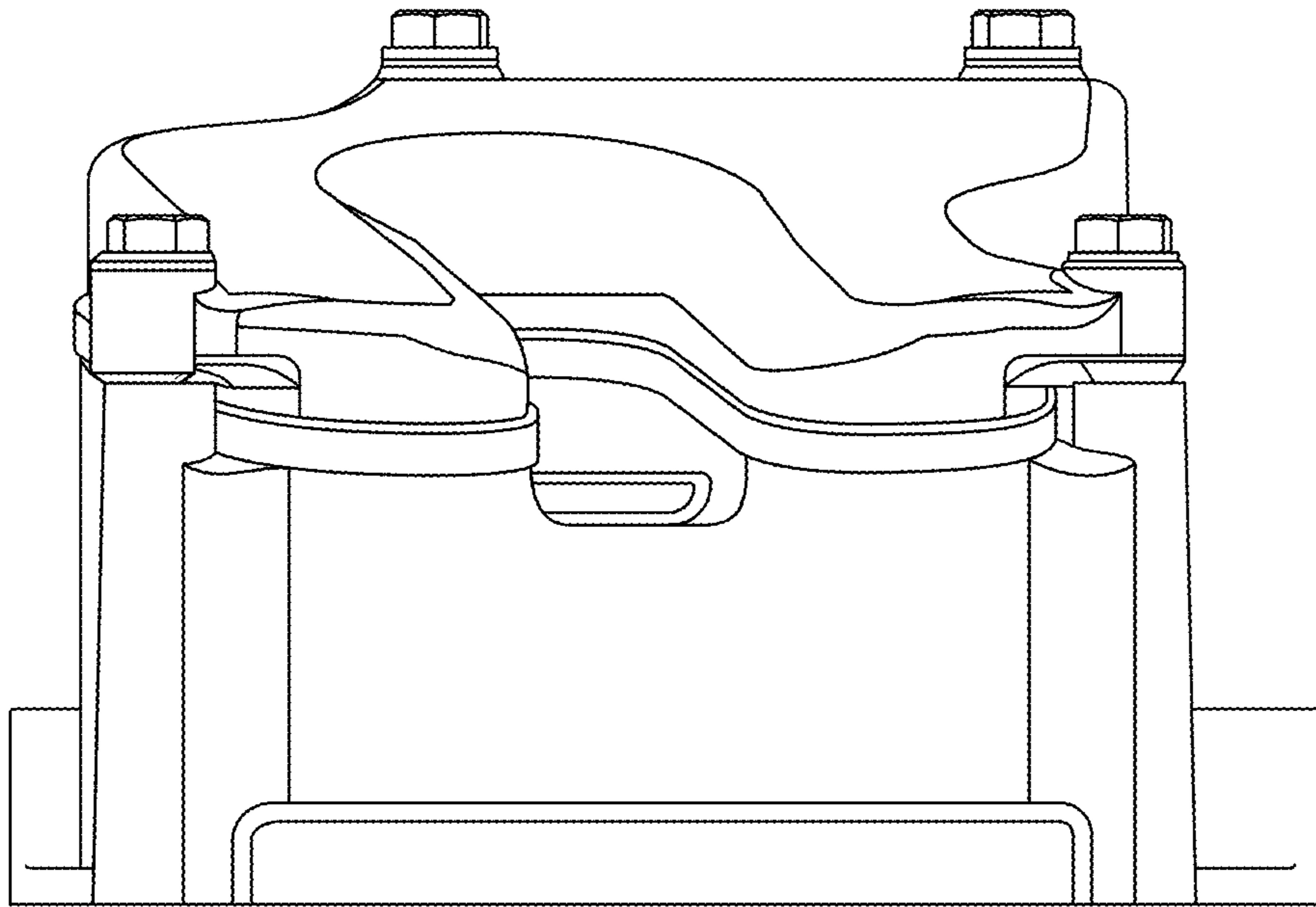


FIG. 3

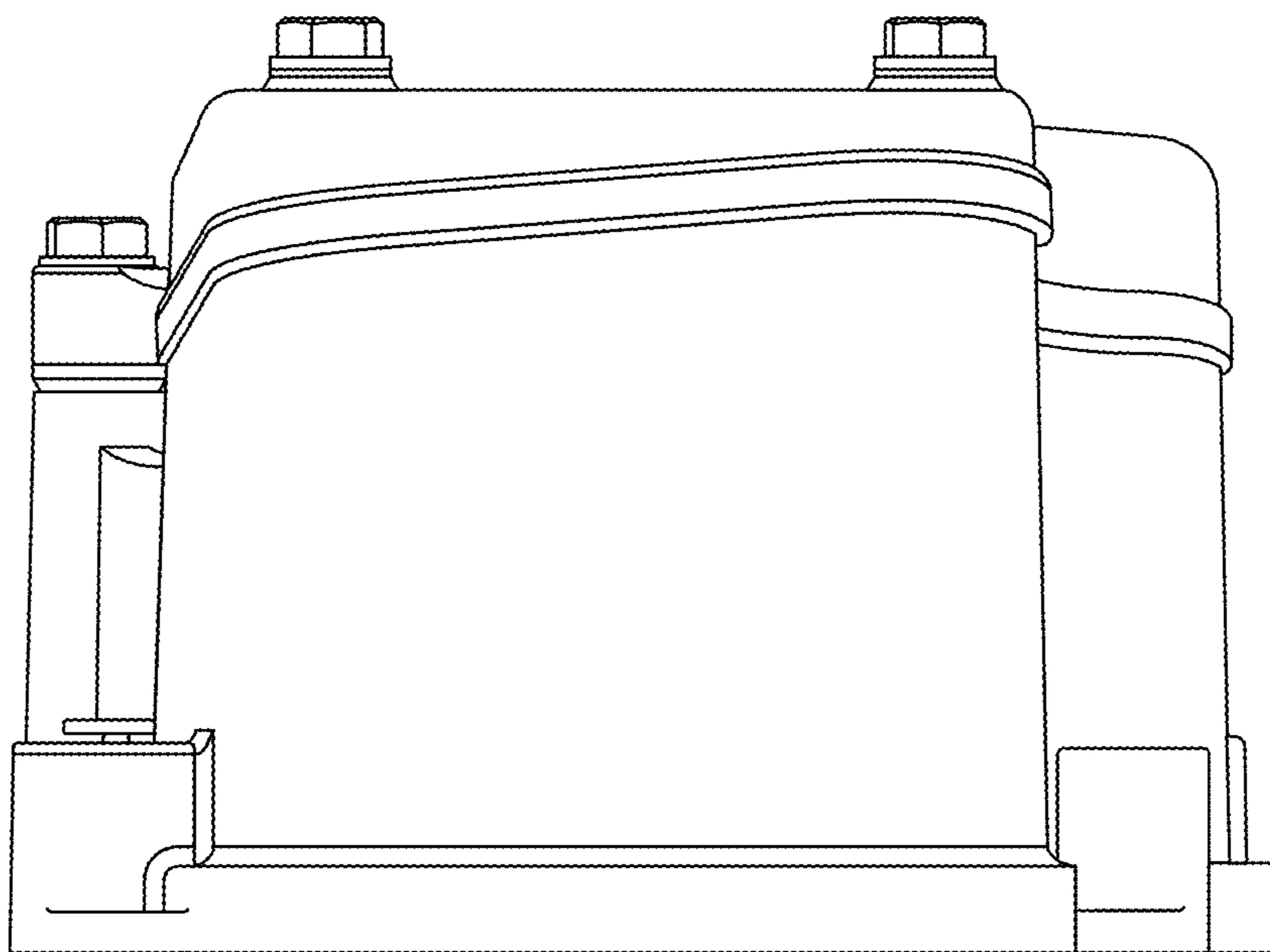


FIG. 4

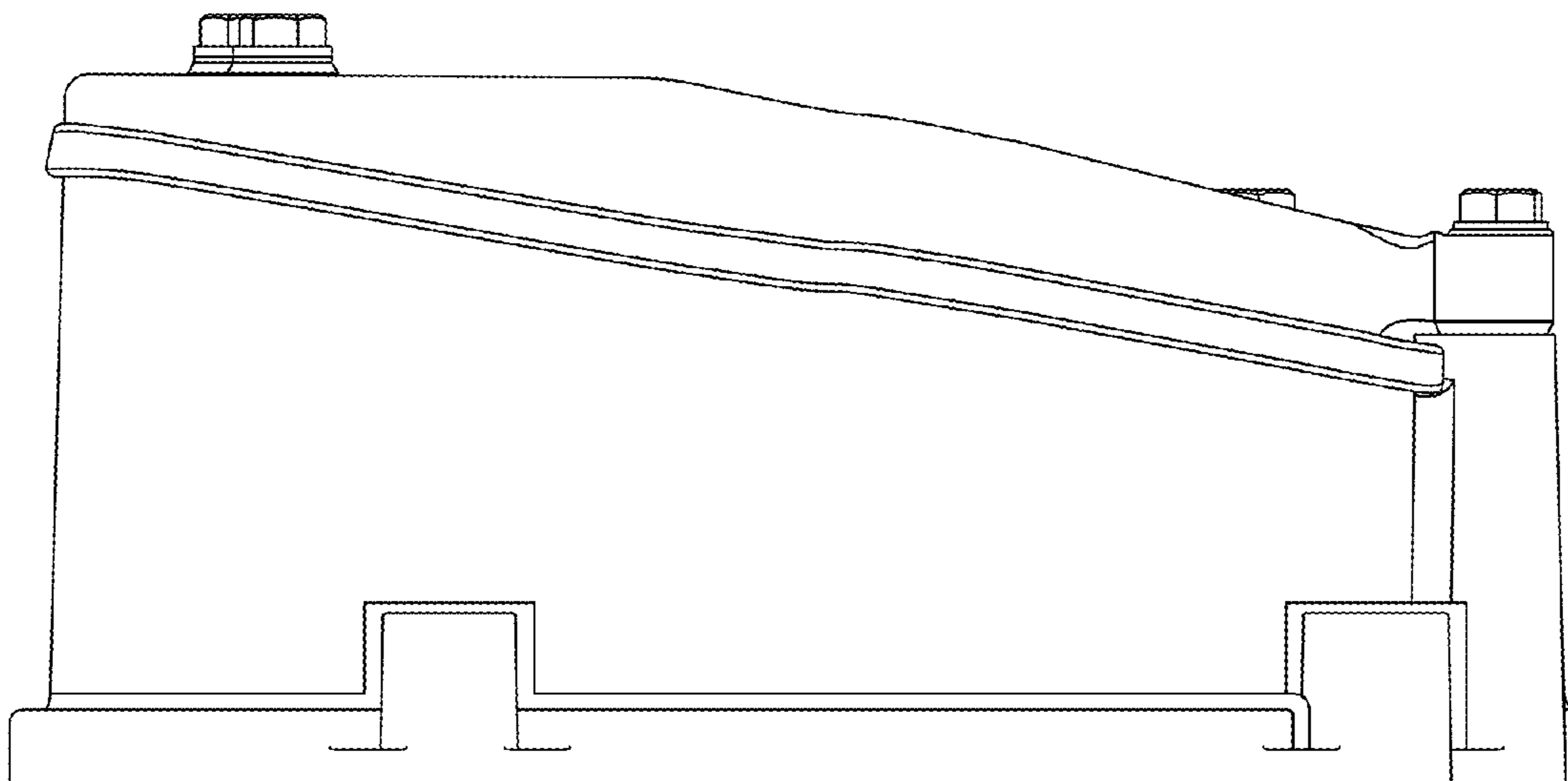


FIG. 5

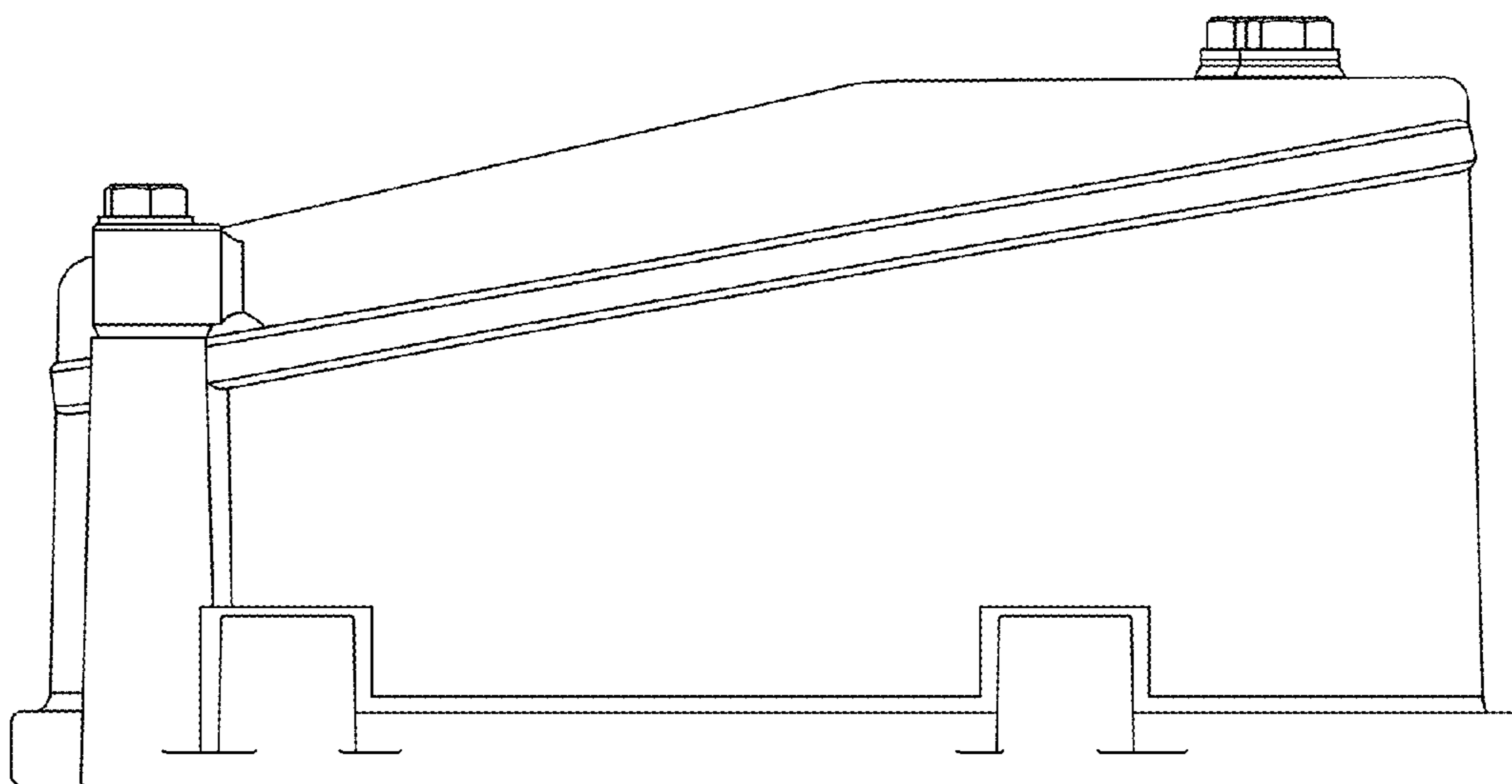


FIG. 6