

US00D699321S

(12) **United States Design Patent**
Karihara et al.

(10) **Patent No.:** **US D699,321 S**

(45) **Date of Patent:** **** Feb. 11, 2014**

(54) **SPRINKLER HEAD**

(71) Applicant: **Senju Sprinkler Co., Ltd.**, Tokyo (JP)

(72) Inventors: **Yukinori Karihara**, Tokyo (JP);
Masakatsu Kikuchi, Tokyo (JP)

(73) Assignee: **Senju Sprinkler Co., Ltd.**, Tokyo (JP)

(**) Term: **14 Years**

(21) Appl. No.: **29/444,930**

(22) Filed: **Feb. 6, 2013**

(30) **Foreign Application Priority Data**

Aug. 7, 2012 (JP) 2012-018899

(51) **LOC (10) Cl.** **23-01**

(52) **U.S. Cl.**
USPC **D23/214**

(58) **Field of Classification Search**
USPC D23/213, 214; 169/37, 38, 39
See application file for complete search history.

(56) **References Cited**

U.S. PATENT DOCUMENTS

D399,553 S * 10/1998 Kumagai D23/213
6,962,208 B2 * 11/2005 Franson et al. 169/37

D567,329 S * 4/2008 Holmes D23/214
D603,479 S * 11/2009 Koiwa D23/214
8,087,467 B2 * 1/2012 Franson et al. 169/37
8,448,714 B2 * 5/2013 Park et al. 169/37

FOREIGN PATENT DOCUMENTS

JP D2010-025099 10/2010
JP D2011-006754 3/2011

* cited by examiner

Primary Examiner — Robin V Webster

(74) *Attorney, Agent, or Firm* — Cermak Nakajima LLP;
Tomoko Nakajima

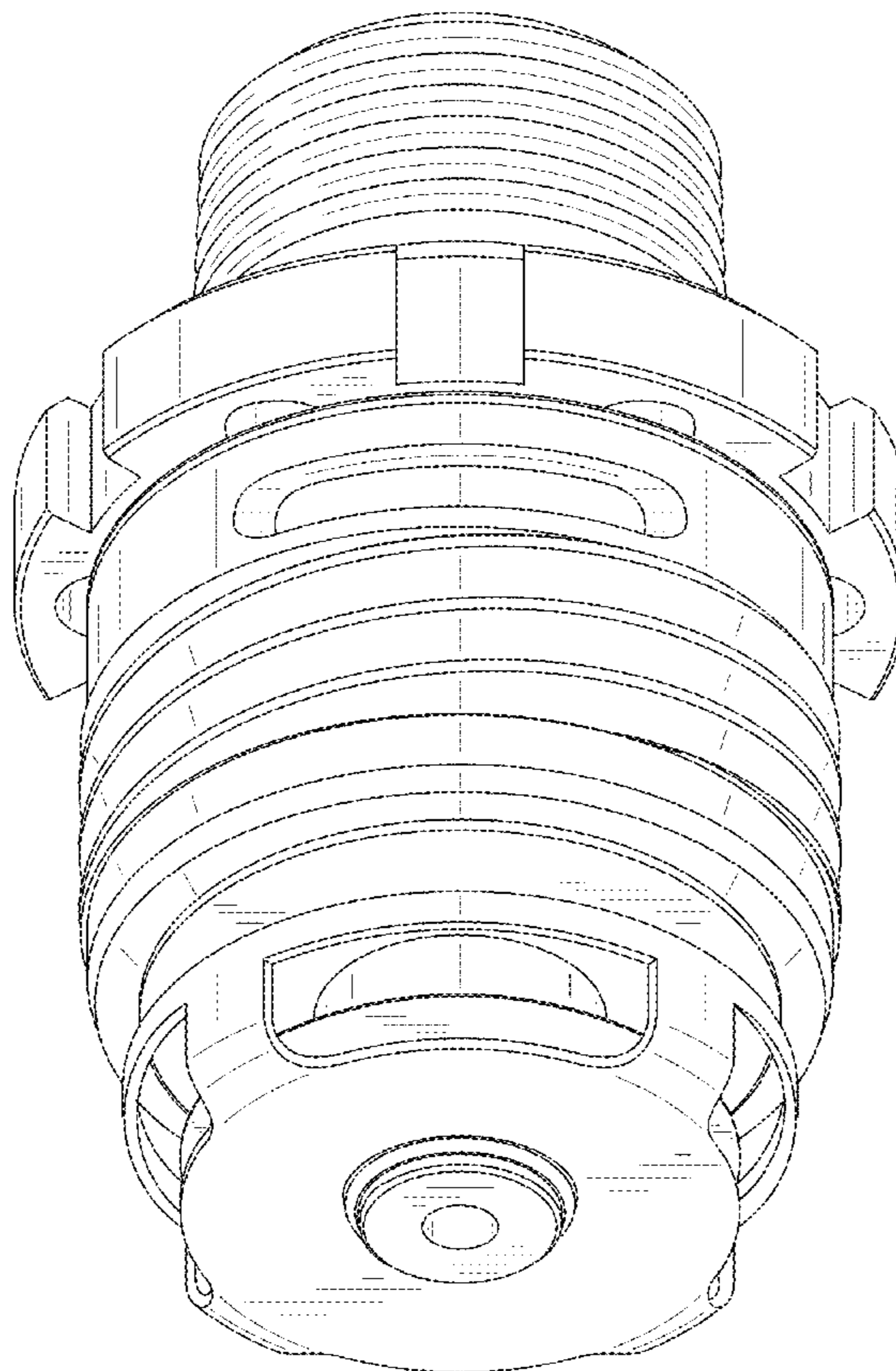
(57) **CLAIM**

The ornamental design for a sprinkler head, as shown.

DESCRIPTION

FIG. 1 is a perspective view of a sprinkler head showing our new design;
FIG. 2 is a front elevational view thereof;
FIG. 3 is a left side elevational view thereof;
FIG. 4 is a right side elevational view thereof;
FIG. 5 is a rear elevational view thereof;
FIG. 6 is a top plan view thereof; and,
FIG. 7 is a bottom plan view thereof.

1 Claim, 7 Drawing Sheets



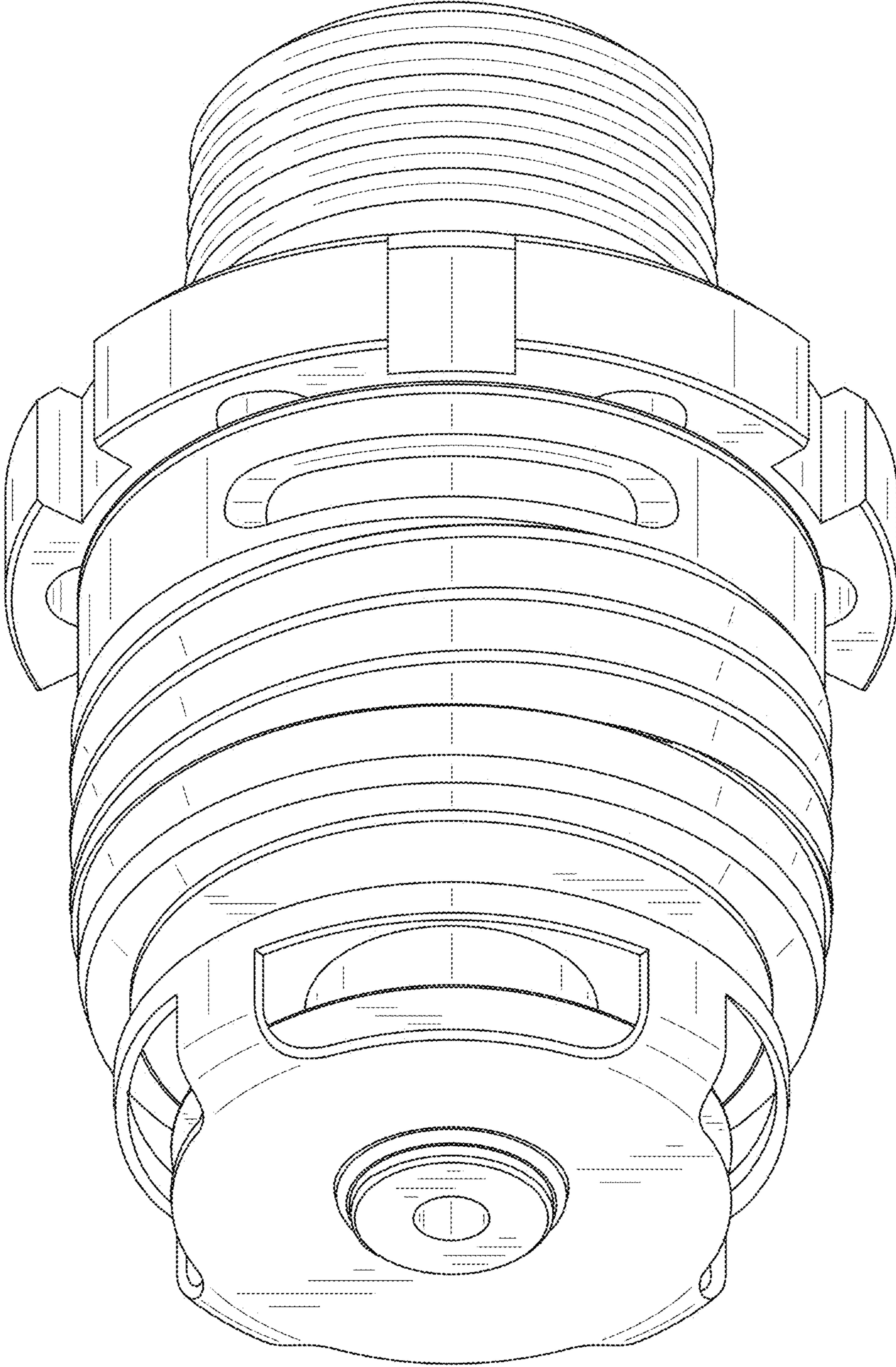


FIG. 1

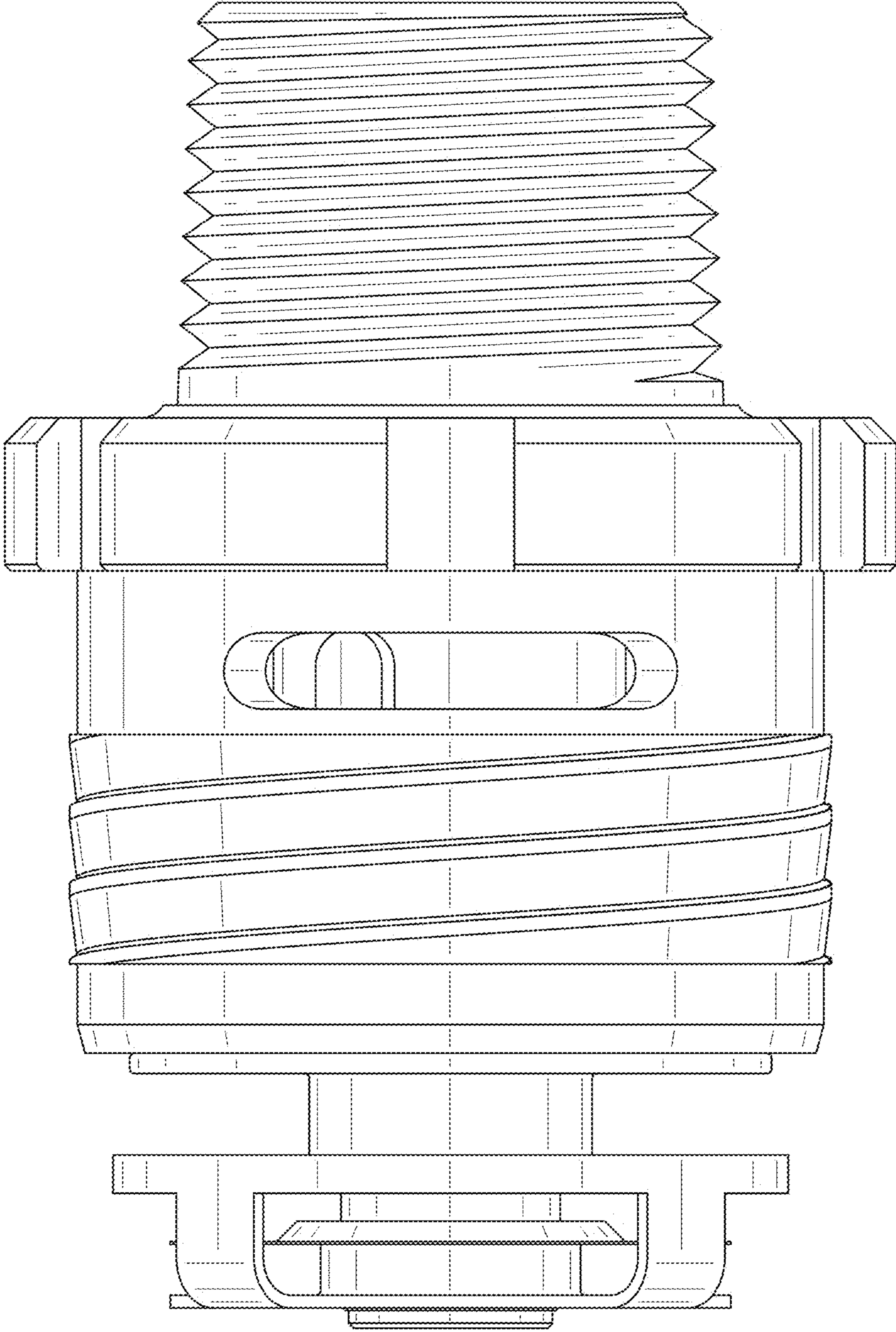


FIG.2

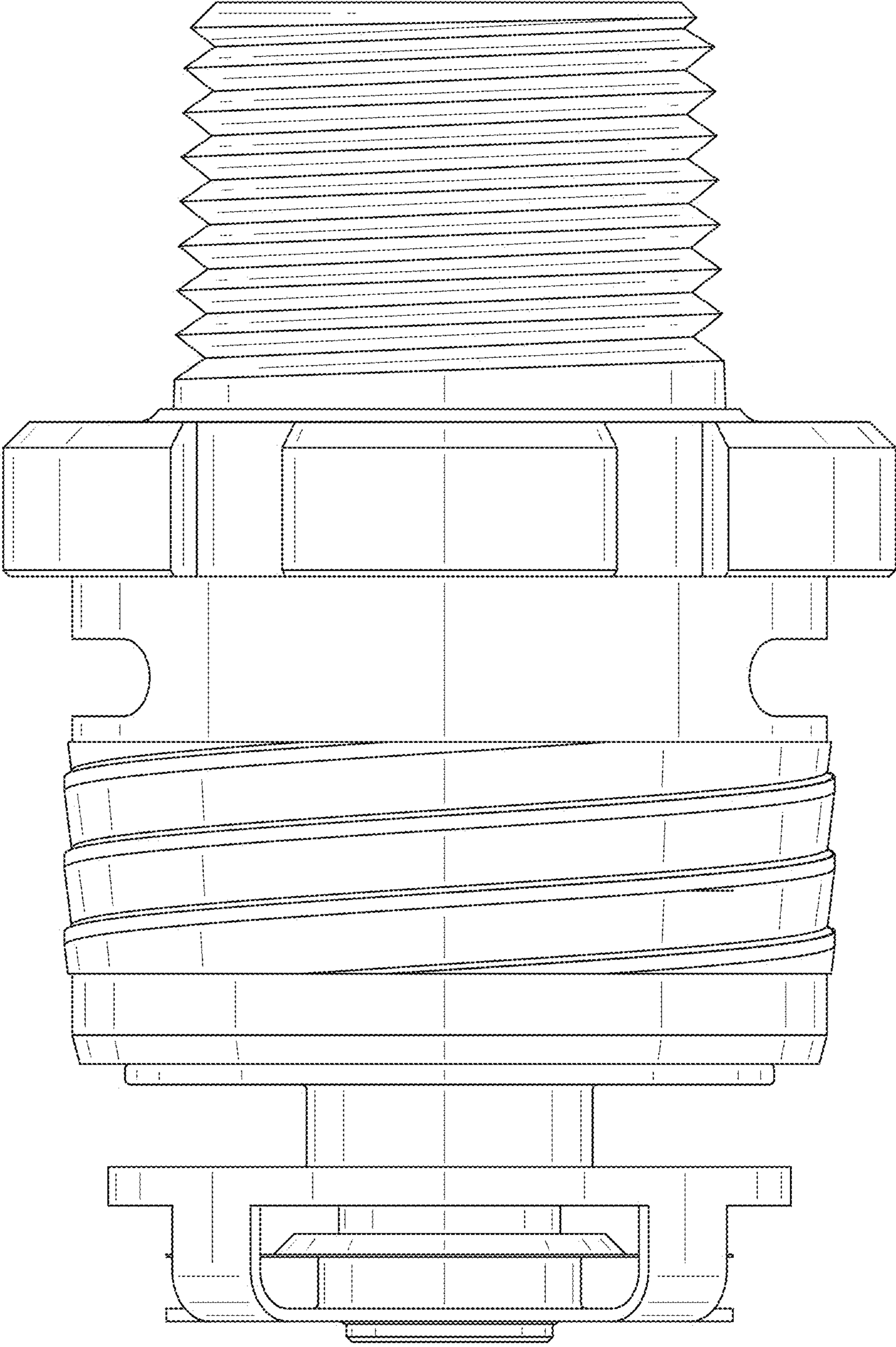


FIG.3

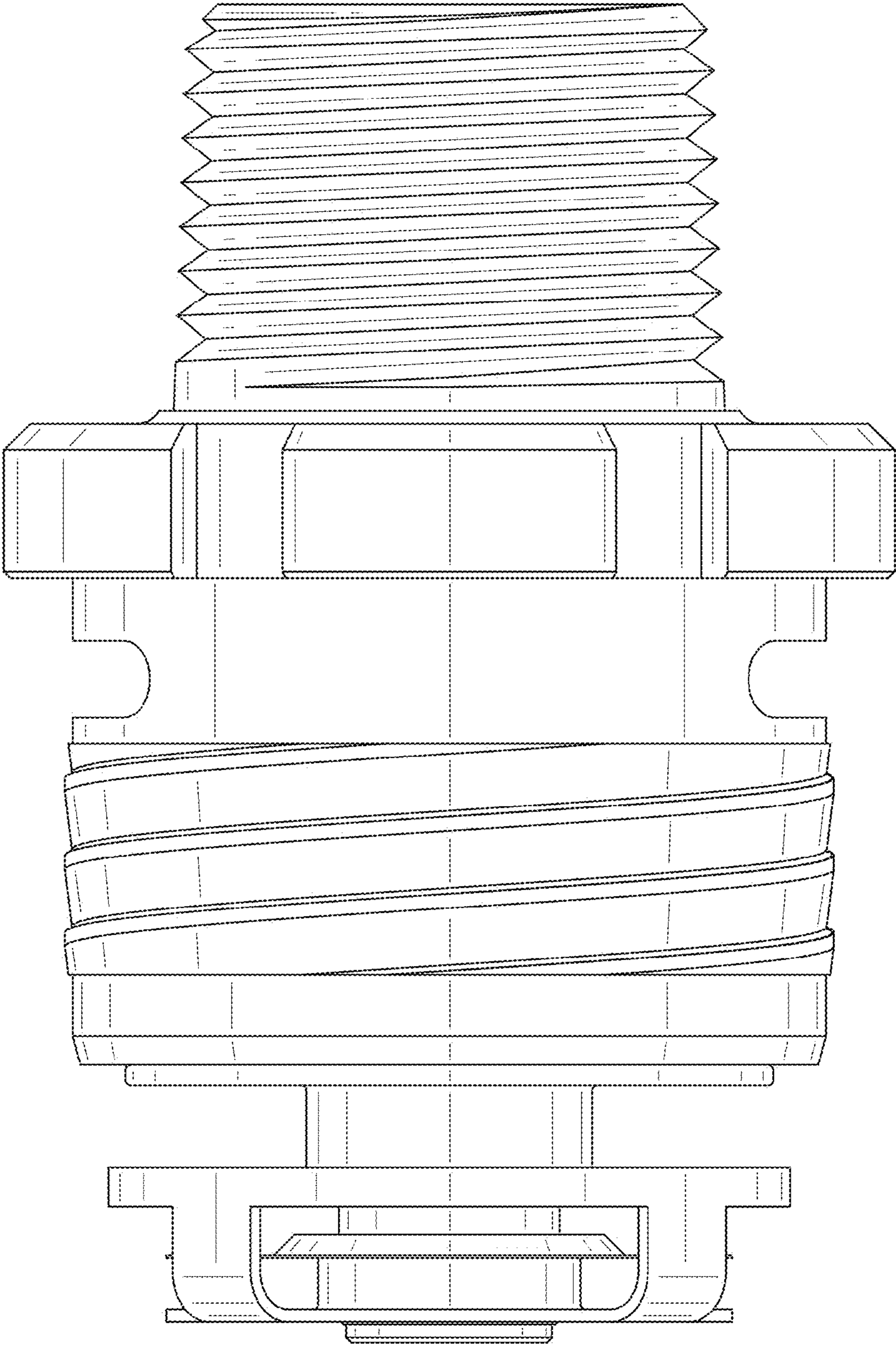


FIG.4

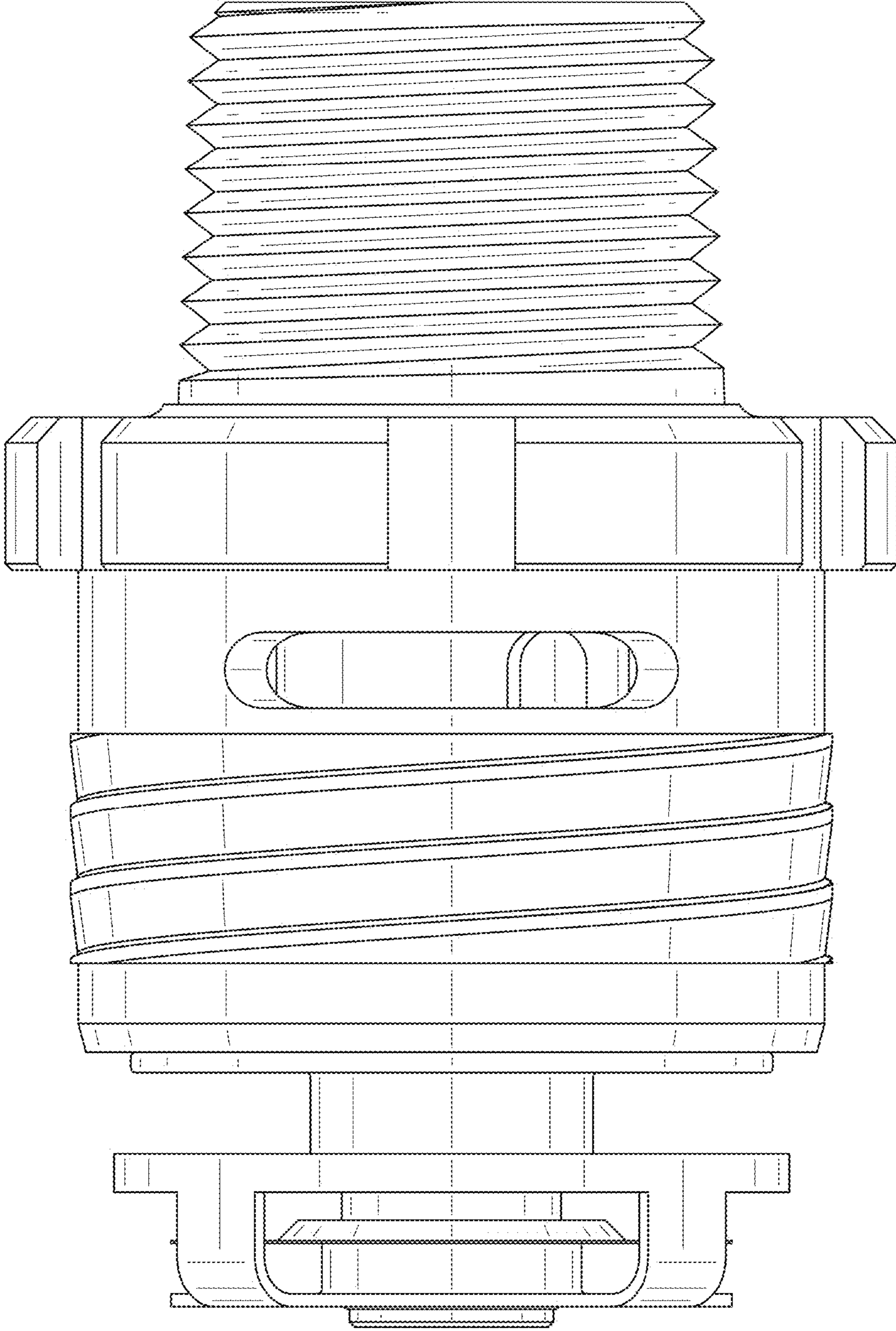


FIG.5

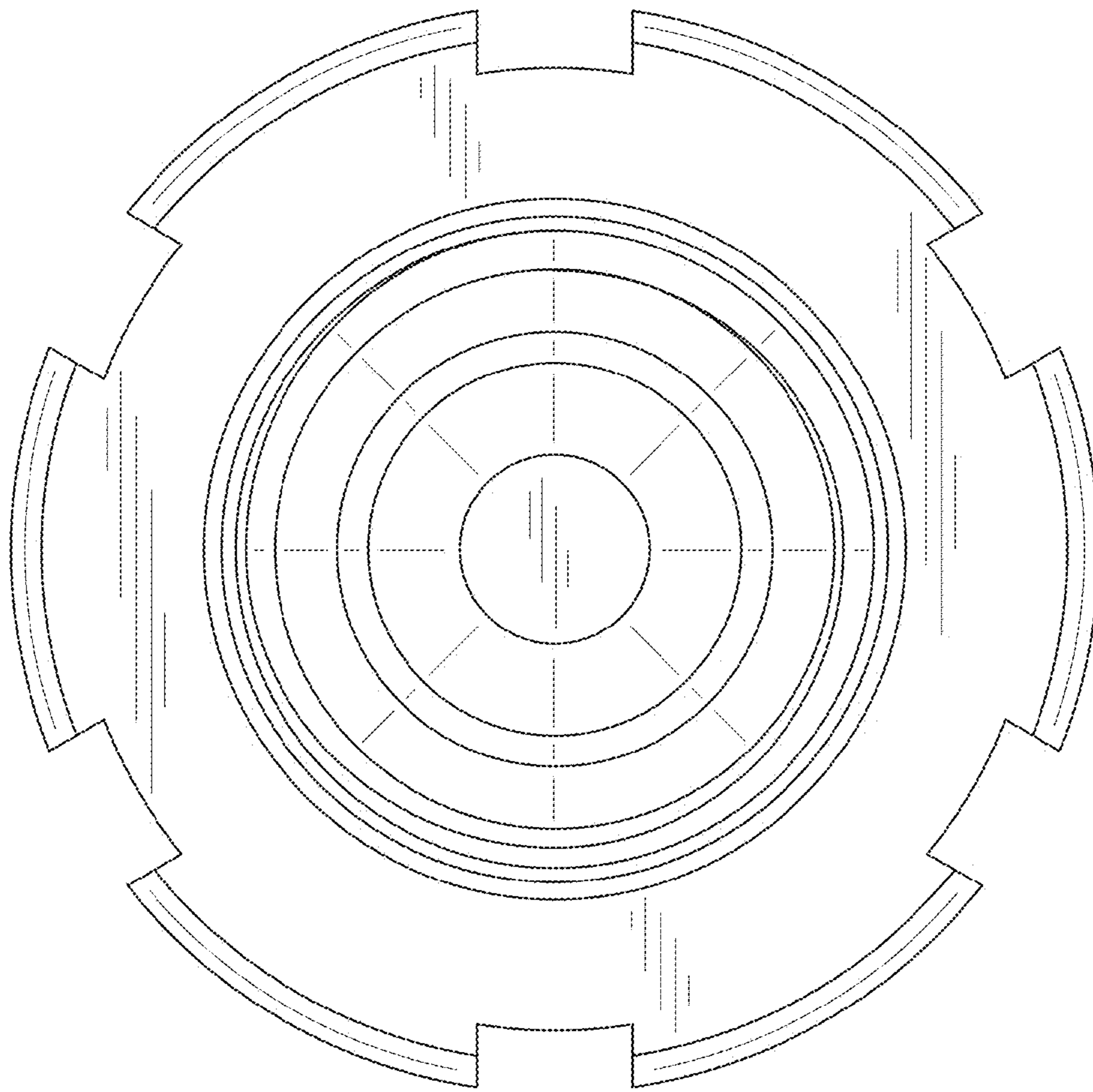


FIG.6

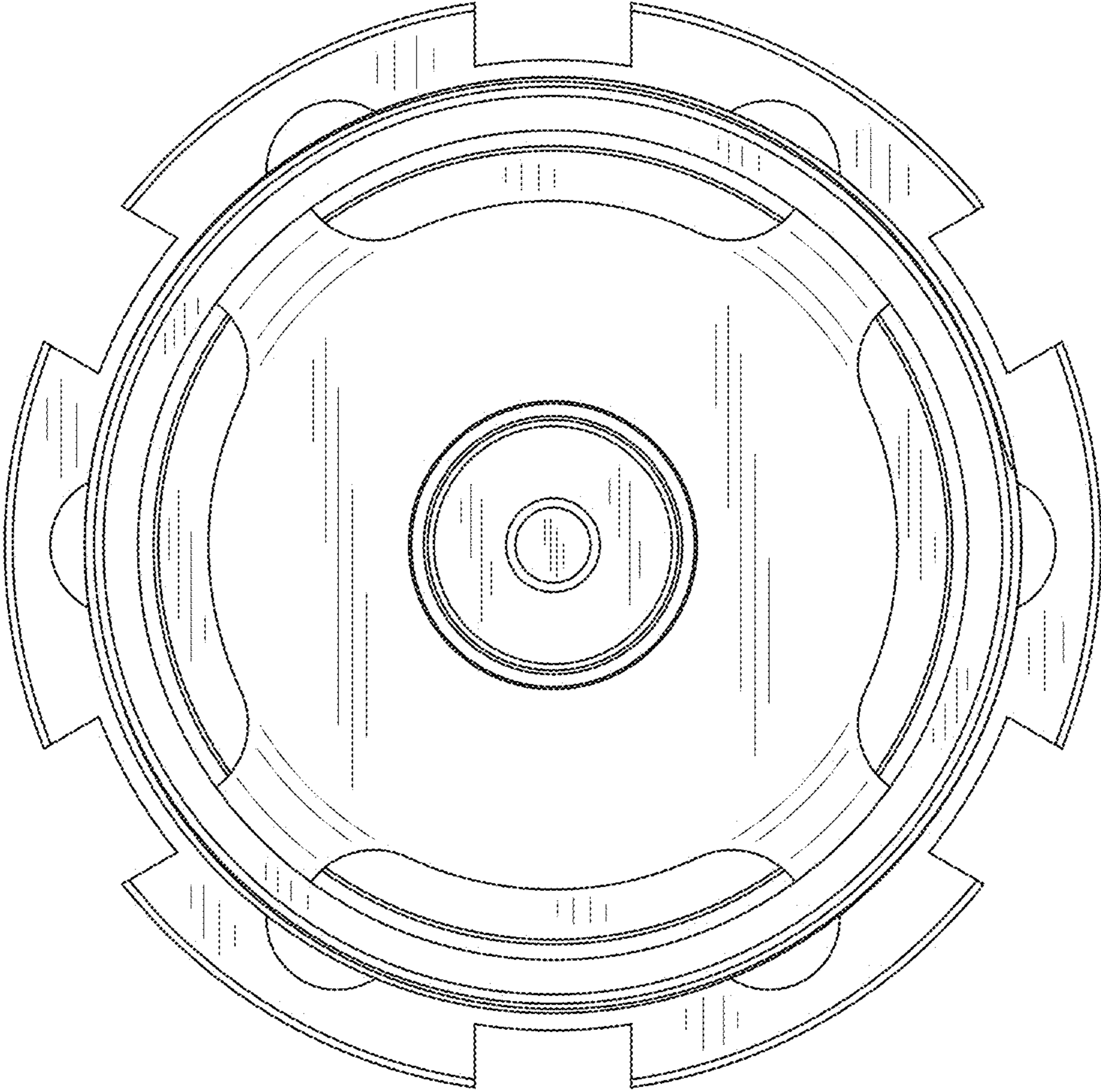


FIG.7