



US00D699318S

(12) **United States Design Patent**
Hung

(10) **Patent No.:** **US D699,318 S**

(45) **Date of Patent:** **** Feb. 11, 2014**

(54) **FOG MACHINE**

4,836,452 A * 6/1989 Fox 239/338
5,711,481 A * 1/1998 MacDonald et al. 239/2.1
D457,935 S * 5/2002 Ariaz D23/200

(71) Applicant: **Antari Lighting and Effects Ltd.**,
Taoyuan Hsien (TW)

* cited by examiner

(72) Inventor: **Ming Hong Hung**, Taoyuan (TW)

Primary Examiner — Robin V Webster

(73) Assignee: **Antari Lighting and Effects Ltd.**,
Taoyuan Hsien (TW)

(74) *Attorney, Agent, or Firm* — Shimokaji & Associates
P.C.

(**) Term: **14 Years**

(57) **CLAIM**

(21) Appl. No.: **29/445,276**

The ornamental design of a fog machine, as shown and
described.

(22) Filed: **Feb. 8, 2013**

(51) **LOC (10) Cl.** **23-01**

(52) **U.S. Cl.**
USPC **D23/200**

(58) **Field of Classification Search**
USPC D23/200, 213; 239/2.1, 8, 14.1, 129,
239/135, 136

See application file for complete search history.

DESCRIPTION

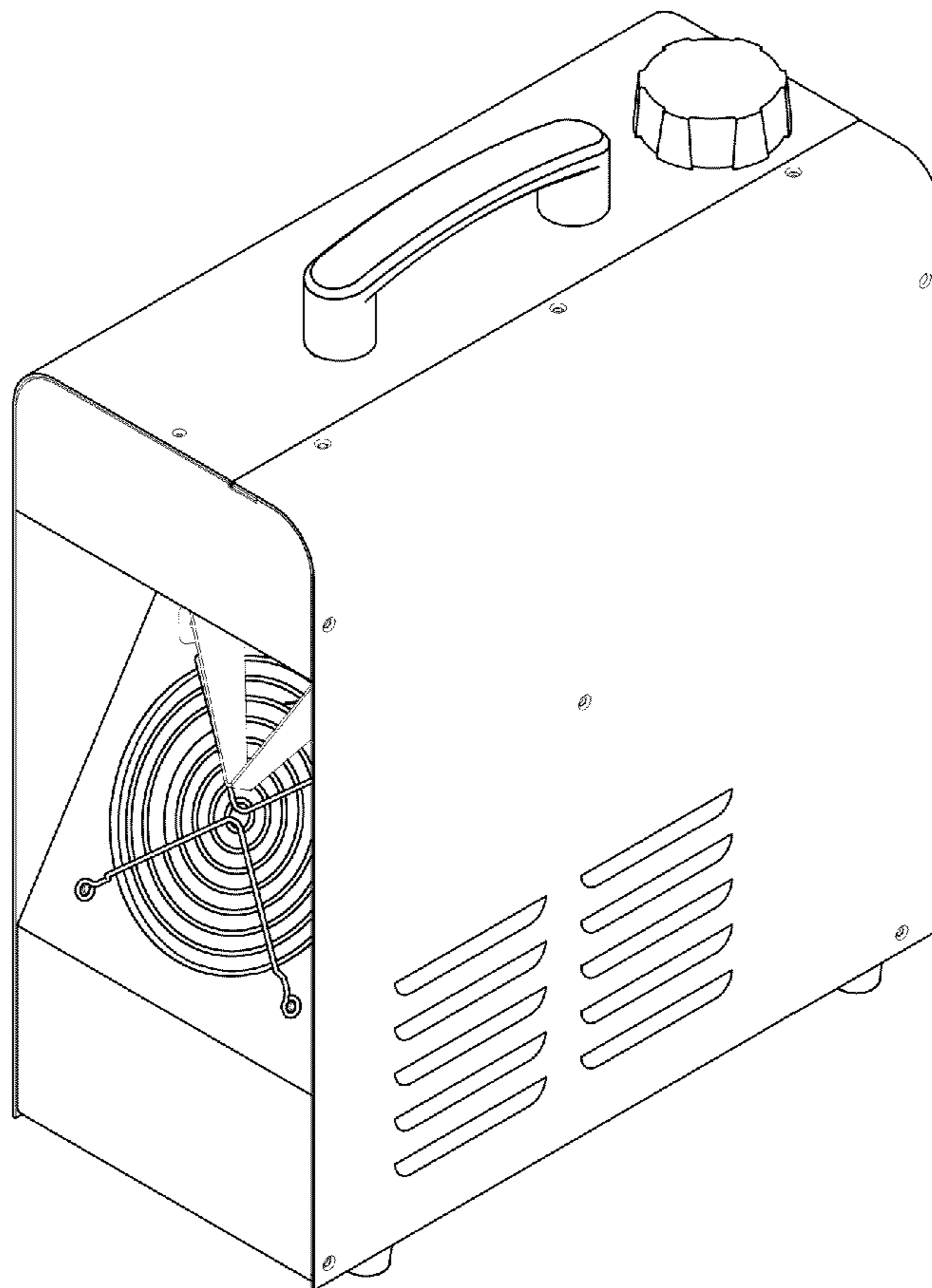
FIG. 1 is a perspective view of a fog machine showing my new
design;
FIG. 2 is a front view thereof;
FIG. 3 is a rear view thereof;
FIG. 4 is a left side view thereof;
FIG. 5 is a right side view thereof;
FIG. 6 is a top view thereof; and,
FIG. 7 is a bottom view thereof.

(56) **References Cited**

U.S. PATENT DOCUMENTS

3,244,641 A * 4/1966 Strittmatter et al. 239/77

1 Claim, 5 Drawing Sheets



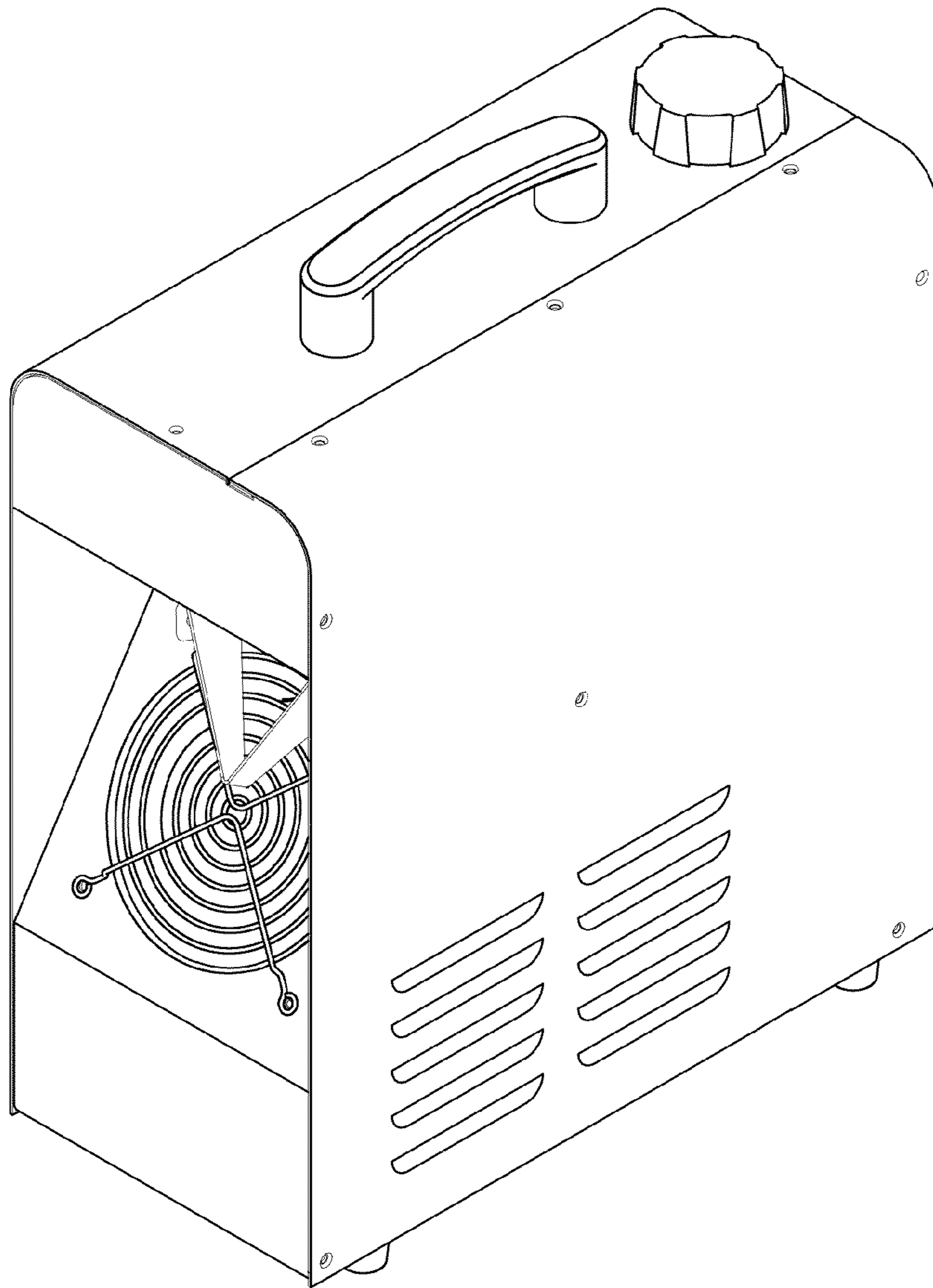


FIG. 1

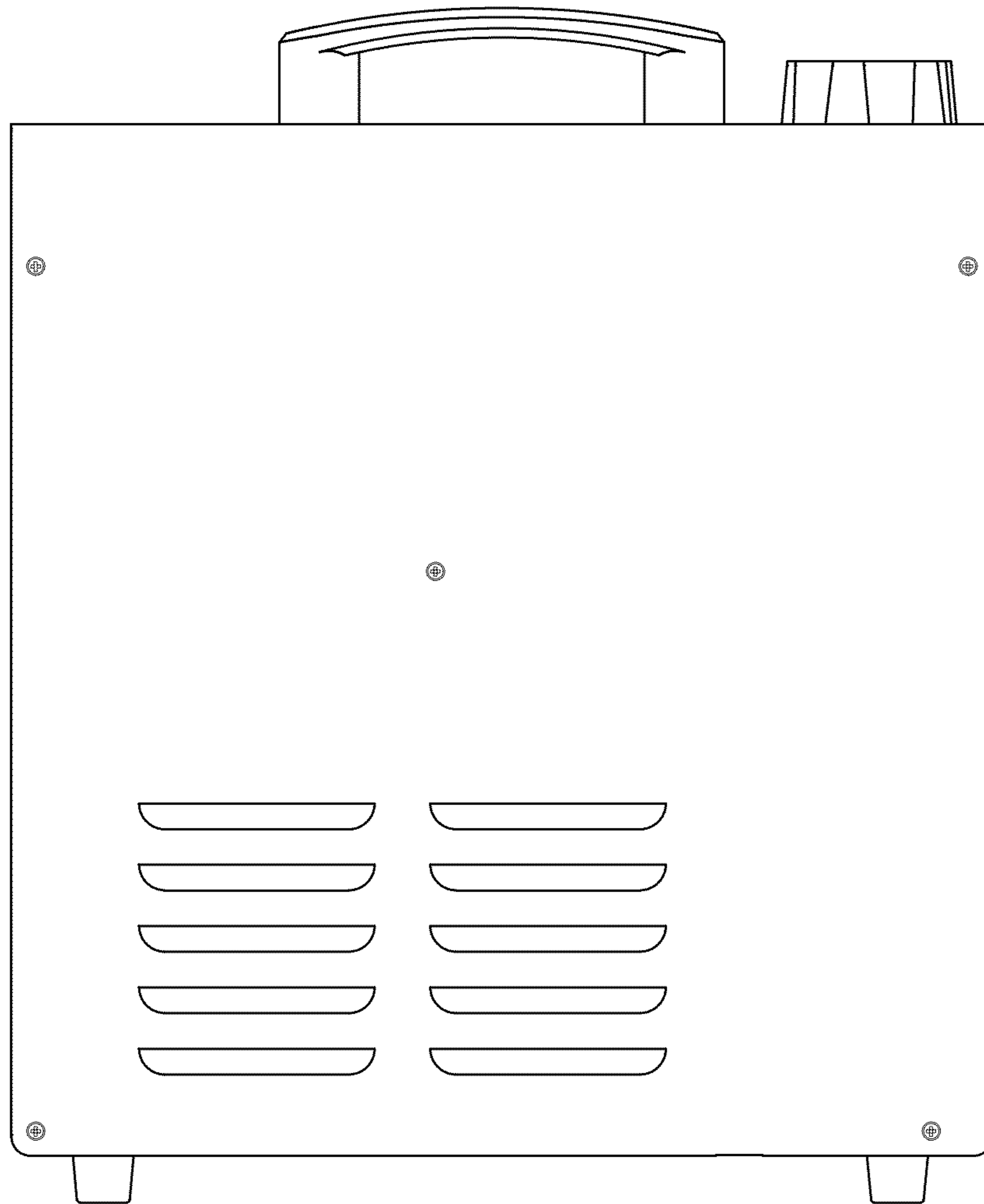


FIG. 2

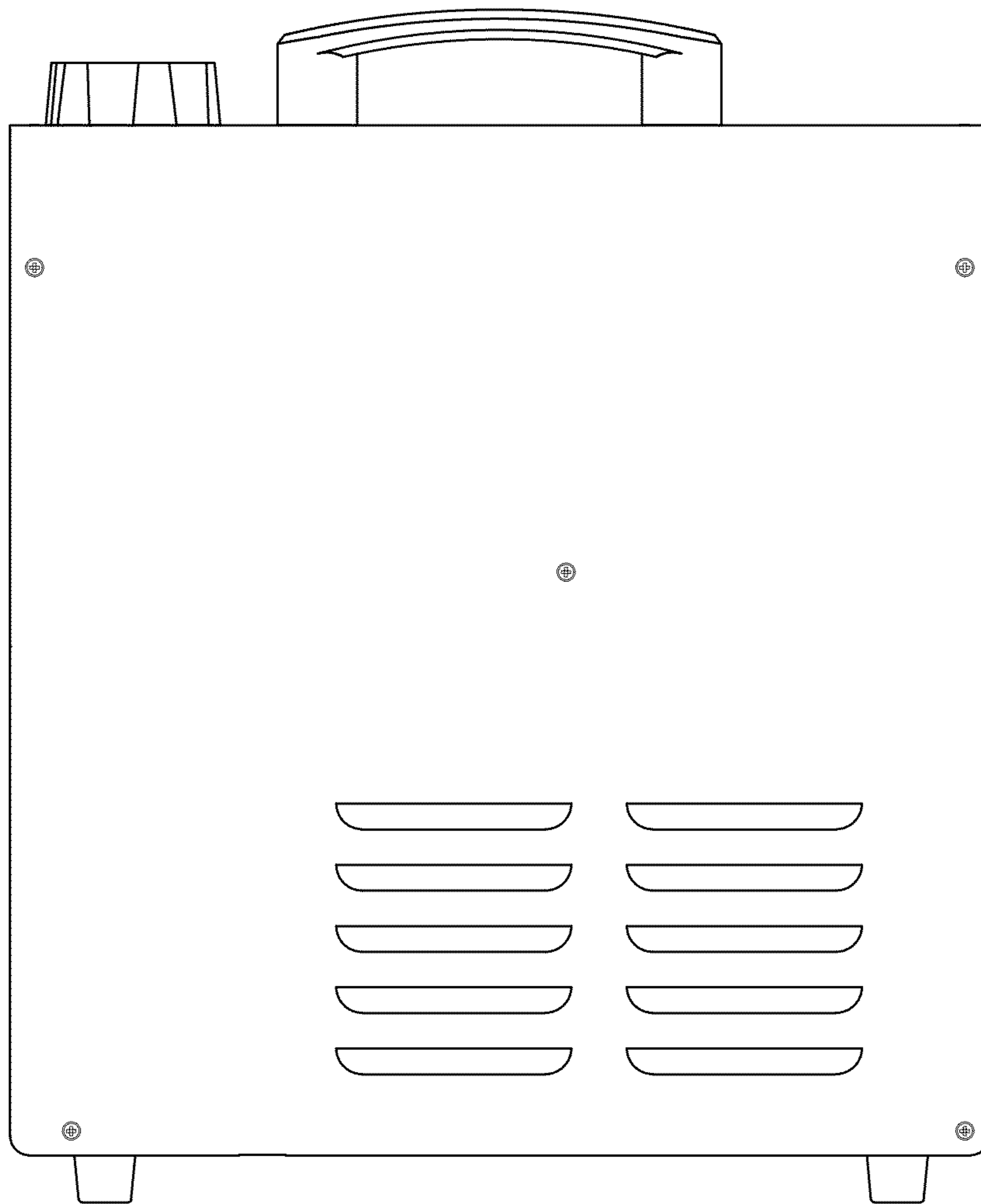


FIG. 3

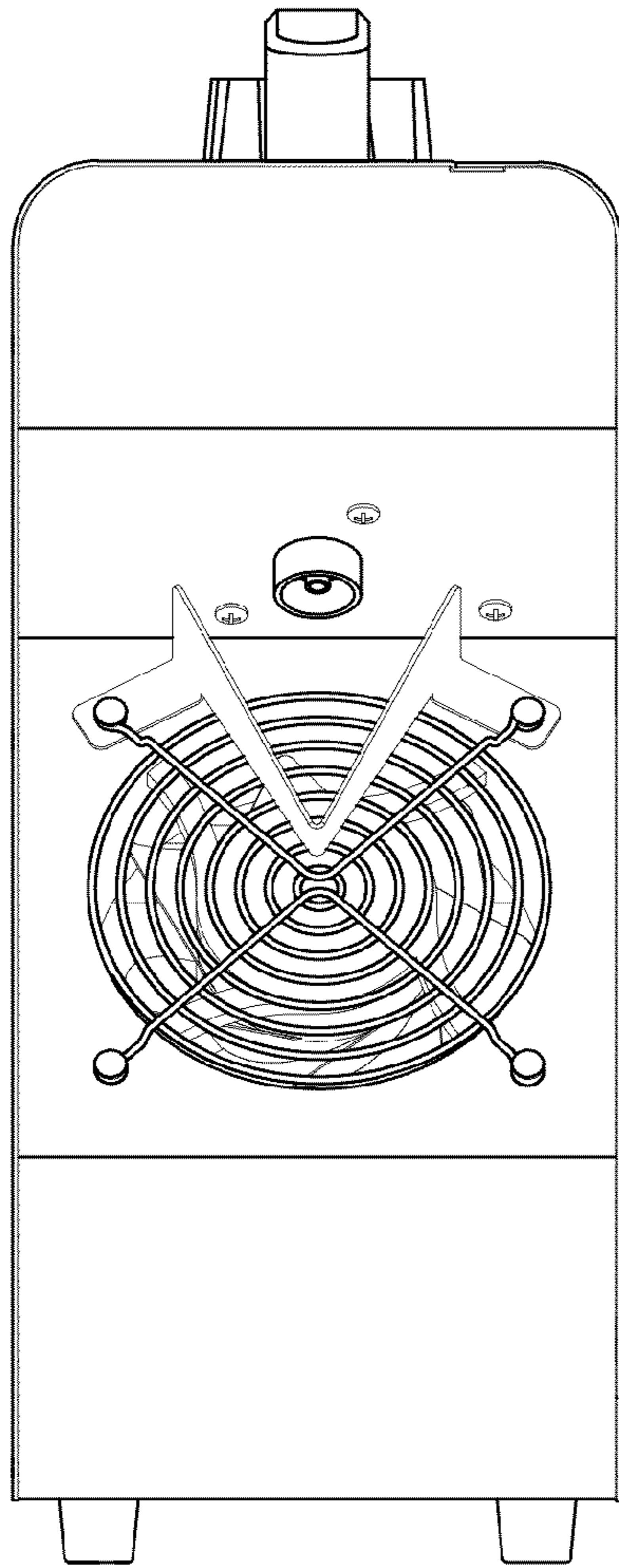


FIG. 4

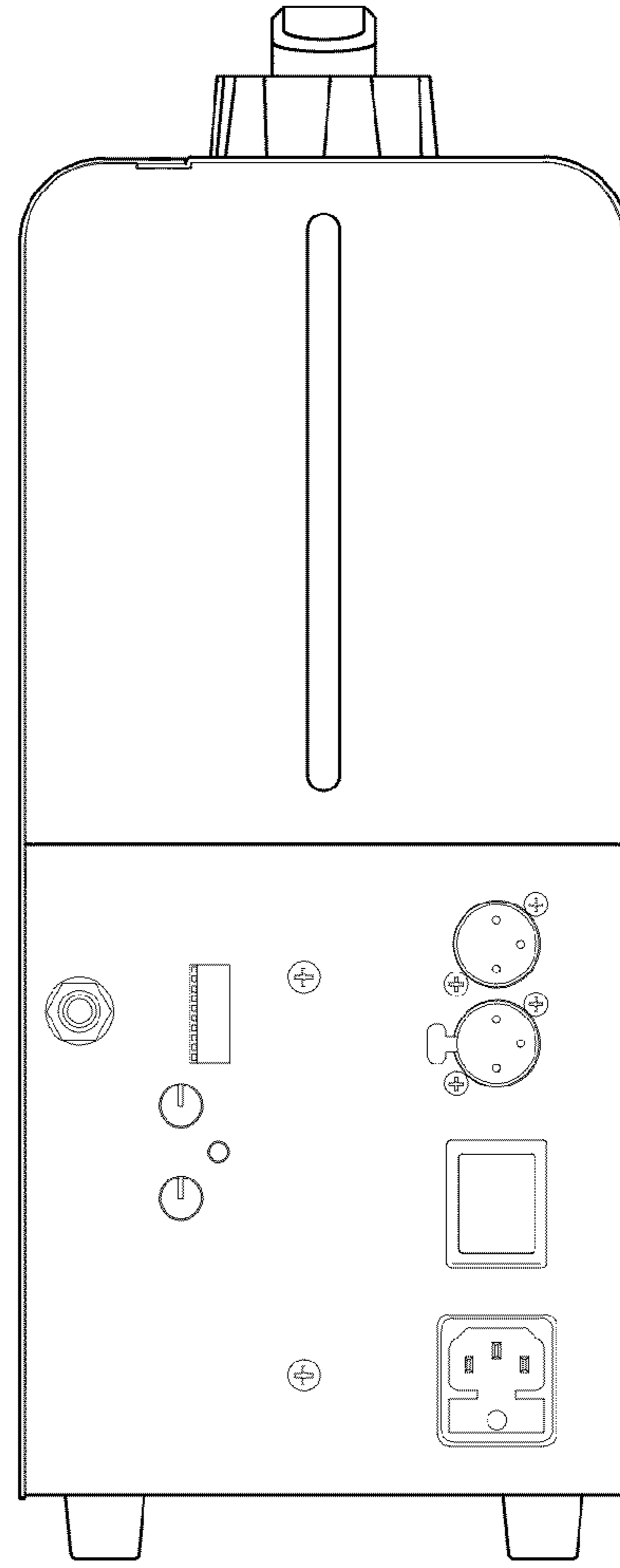


FIG. 5

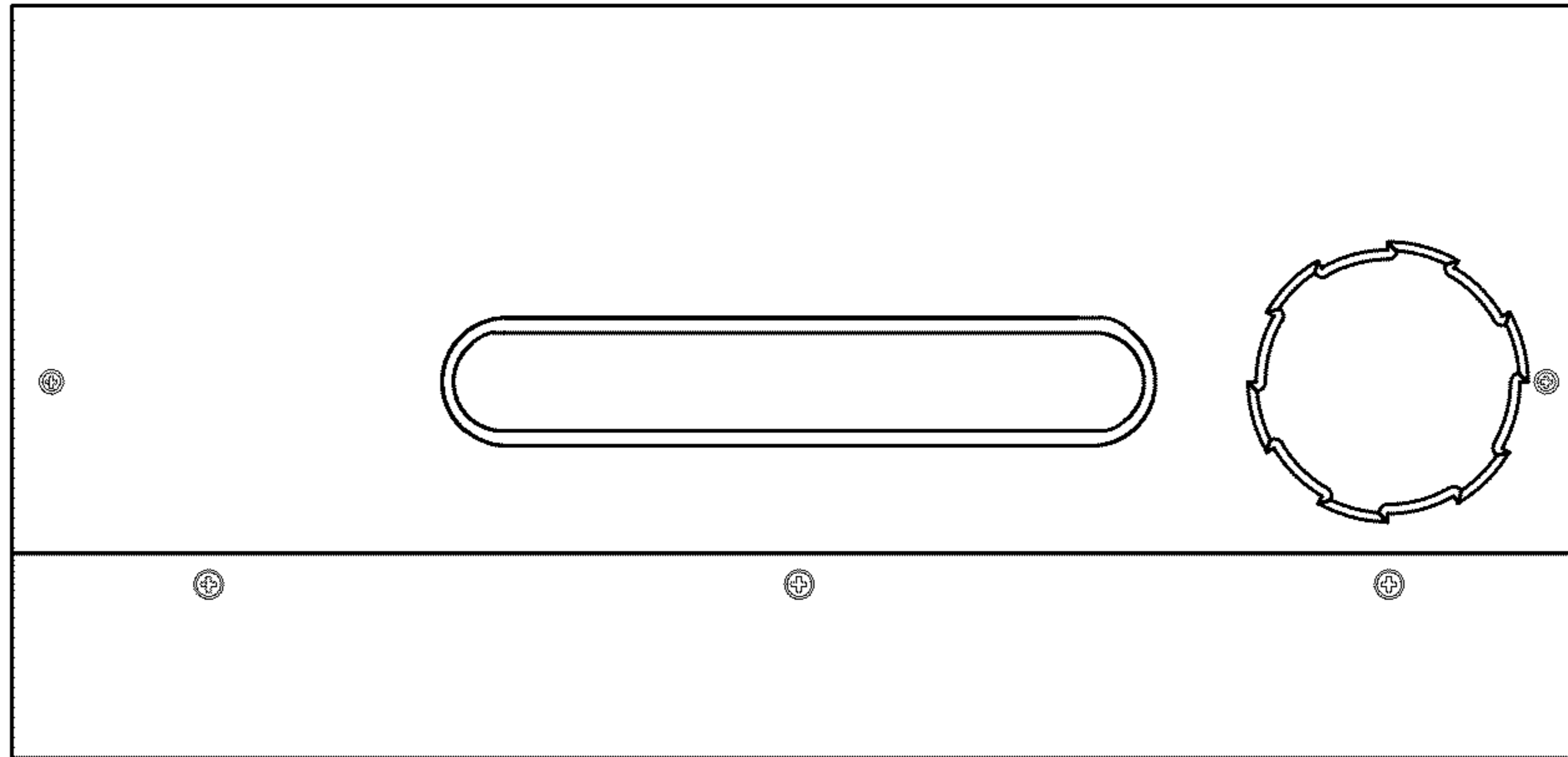


FIG. 6

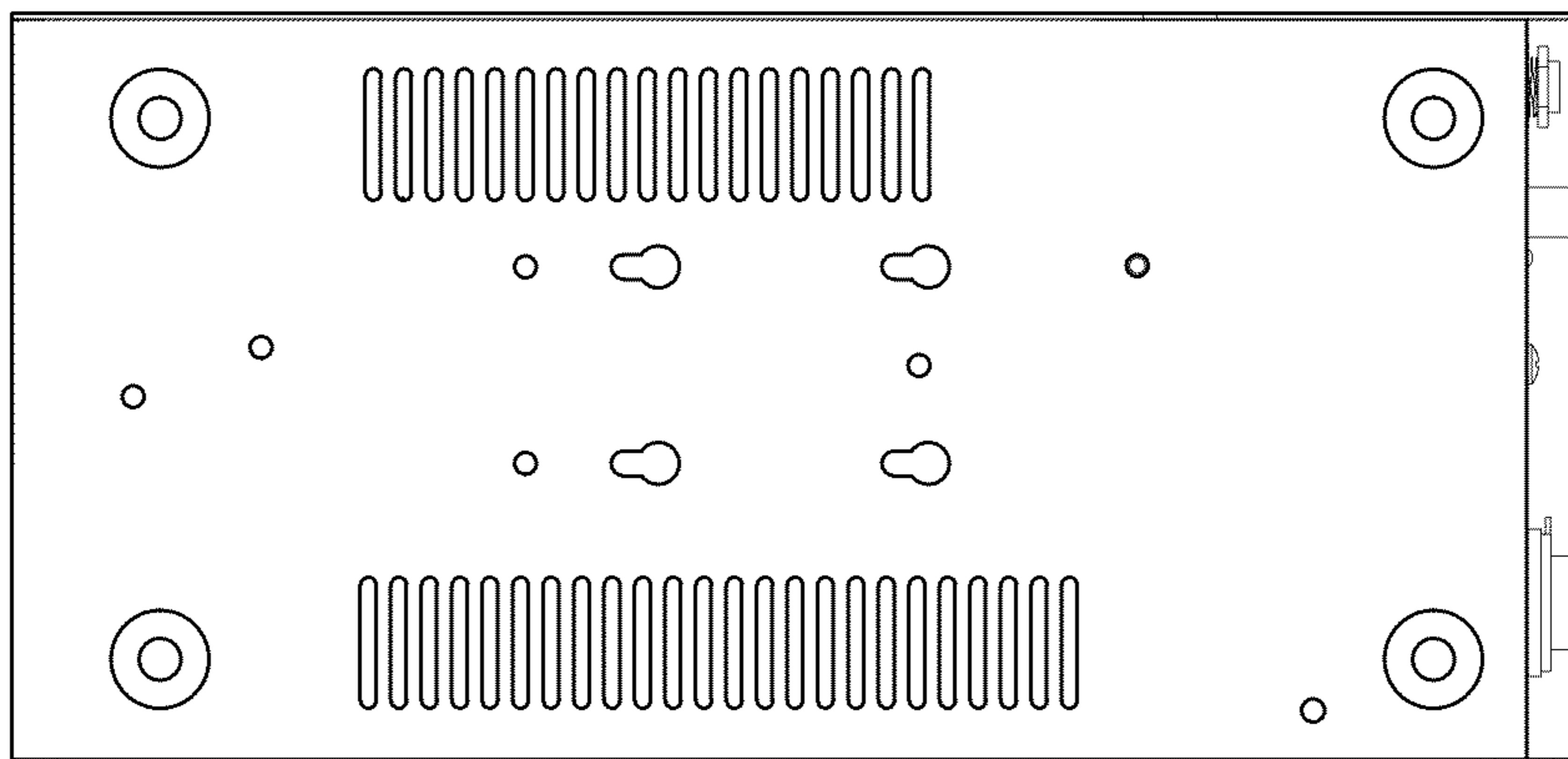


FIG. 7