

US00D699311S

(12) **United States Design Patent**
Blaszczec

(10) **Patent No.:** **US D699,311 S**

(45) **Date of Patent:** **** Feb. 11, 2014**

(54) **GOLF TOWEL ASSEMBLY WITH
DETACHABLE, WATERPROOF CLEANING
COMPONENT**

(76) Inventor: **Mirosław Blaszczec**, Lindenhurst, NY
(US)

(**) Term: **14 Years**

(21) Appl. No.: **29/431,736**

(22) Filed: **Sep. 11, 2012**

(51) **LOC (10) Cl.** **21-02**

(52) **U.S. Cl.**
USPC **D21/789**

(58) **Field of Classification Search**
USPC D21/789; D6/608; 206/315.1, 315.4;
150/160; 15/209.1, 210.1
See application file for complete search history.

(56) **References Cited**

U.S. PATENT DOCUMENTS

4,278,719	A	7/1981	Sarnecki	
4,516,616	A	5/1985	Fesler	
5,147,703	A	9/1992	Provost et al.	
5,322,105	A	6/1994	Meek	
5,331,705	A *	7/1994	Melov	15/118
5,639,532	A	6/1997	Wells	
D384,717	S *	10/1997	Hodges	D6/608
5,813,080	A	9/1998	Hendren	
D426,606	S *	6/2000	Jones	D21/789
6,076,224	A	6/2000	Pacifico et al.	
6,226,827	B1	5/2001	English, Jr.	
6,463,971	B1 *	10/2002	Kinsey	150/160
6,594,851	B2	7/2003	Sprague	
D520,095	S *	5/2006	Wright	D21/789
D522,602	S *	6/2006	Larsen	D21/789
7,219,388	B2 *	5/2007	Hale	15/209.1
7,302,728	B2	12/2007	Kunz	
D561,290	S *	2/2008	Prior et al.	D21/789

7,484,262	B2	2/2009	Cotton
2004/0197523	A1	10/2004	Doty
2006/0005335	A1	1/2006	Ortega et al.
2007/0119012	A1	5/2007	Young et al.
2007/0226934	A1	10/2007	Bohannon et al.
2009/0193598	A1	8/2009	Sprague

* cited by examiner

Primary Examiner — Mitchell Siegel

(74) *Attorney, Agent, or Firm* — Gerald E. Hespos; Michael J. Porco; Matthew T. Hespos

(57) **CLAIM**

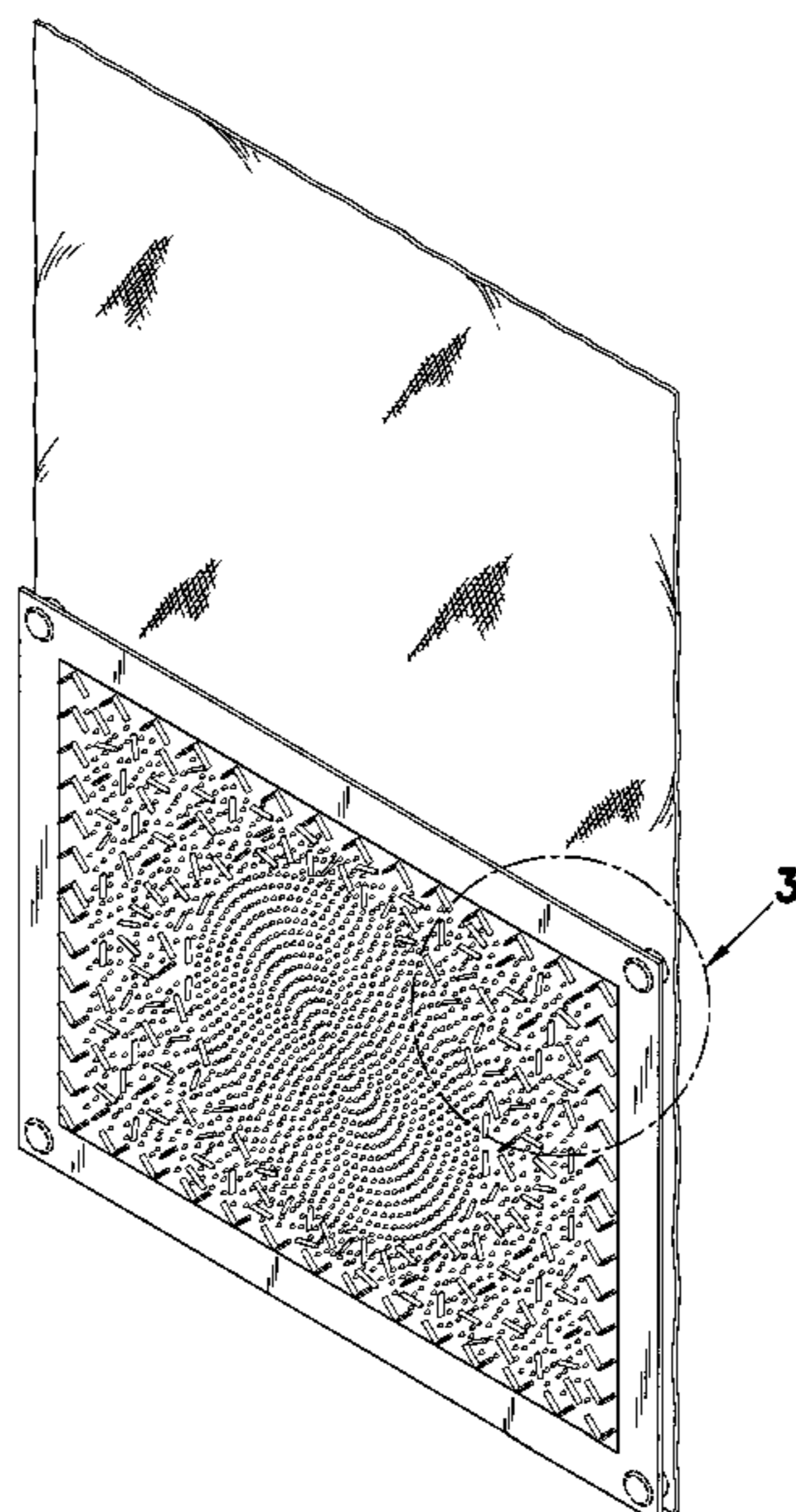
The ornamental design of a “golf towel assembly with detachable, waterproof cleaning component”, as shown and described.

DESCRIPTION

FIG. 1 is a front perspective view of my new, original and ornamental design for a golf towel assembly;
 FIG. 2 is a front perspective view of the golf towel assembly of FIG. 1 with the detachable, waterproof cleaning component detached;
 FIG. 3 is an enlarged partial view of the golf towel assembly of FIG. 1;
 FIG. 4 is a front elevational view of the golf towel assembly of FIG. 1;
 FIG. 5 is an enlarged partial view of the golf towel assembly of FIG. 4;
 FIG. 6 is a top plan view of the golf towel assembly of FIG. 1;
 FIG. 7 is a right side elevational view of the golf towel assembly of FIG. 1, the left side elevational view being a mirror image thereof; and,
 FIG. 8 is a rear elevational view of the golf towel assembly of FIG. 1.

The broken line showing is included for the purpose of illustrating and forms no part of the claimed design.

1 Claim, 7 Drawing Sheets



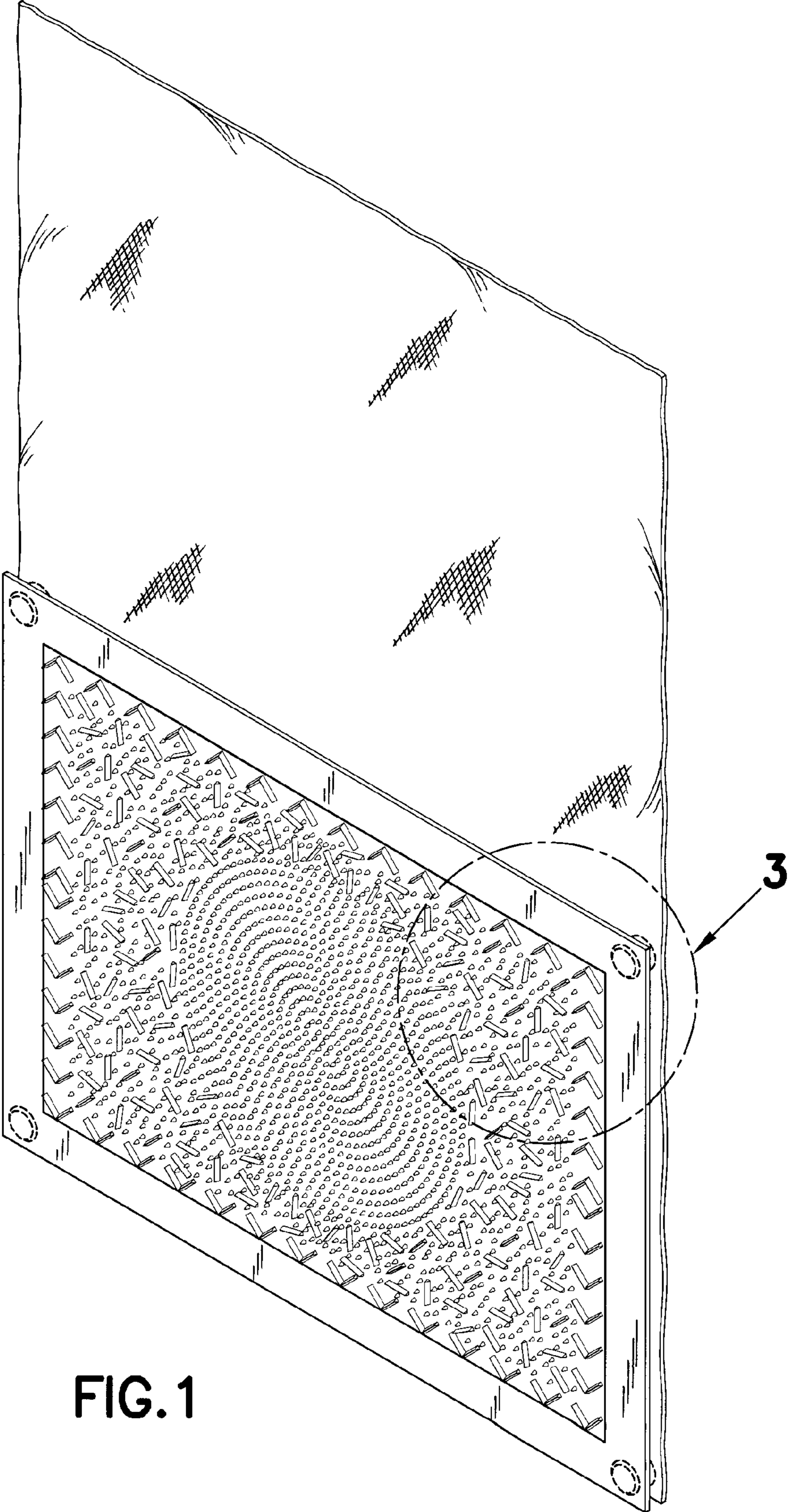


FIG. 1

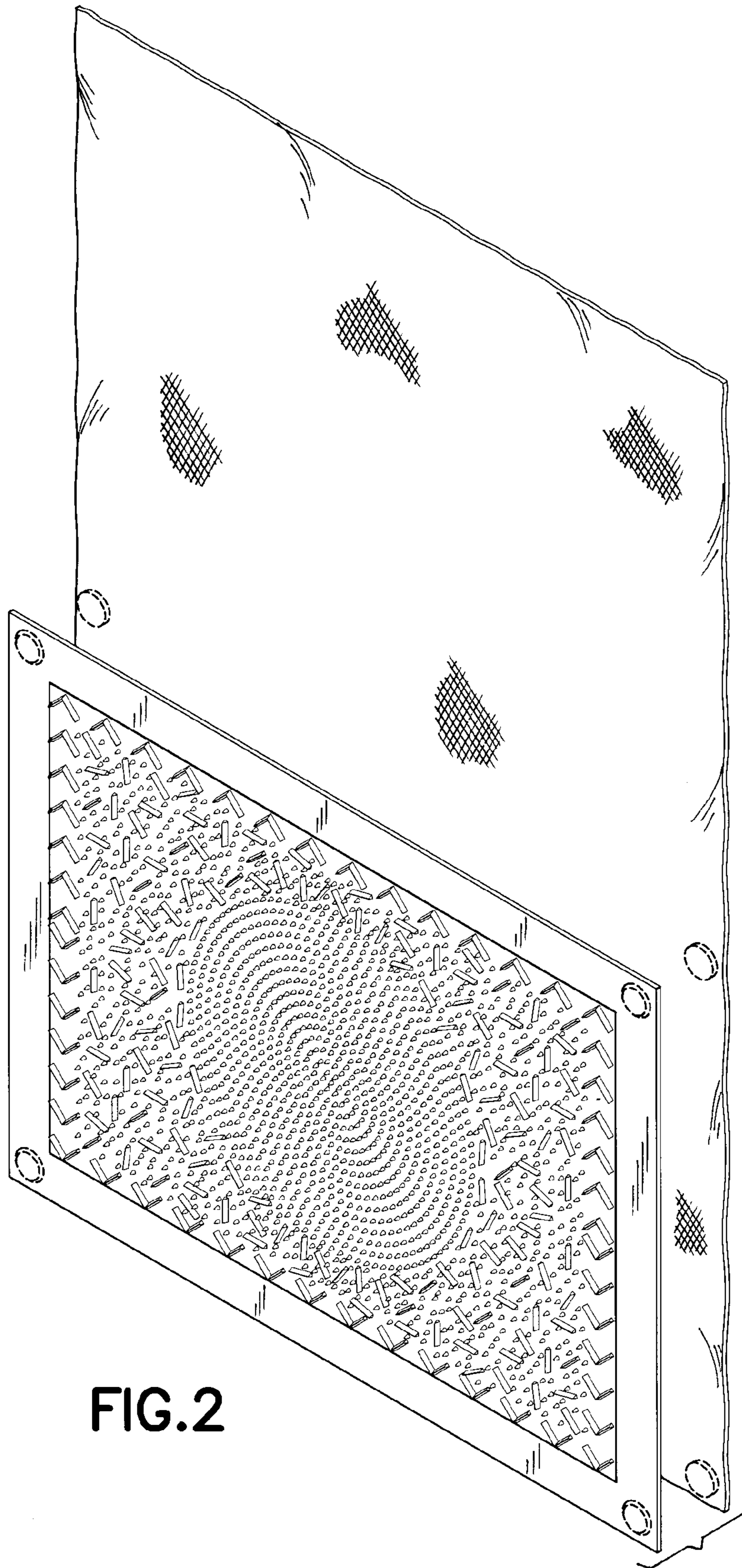


FIG.2

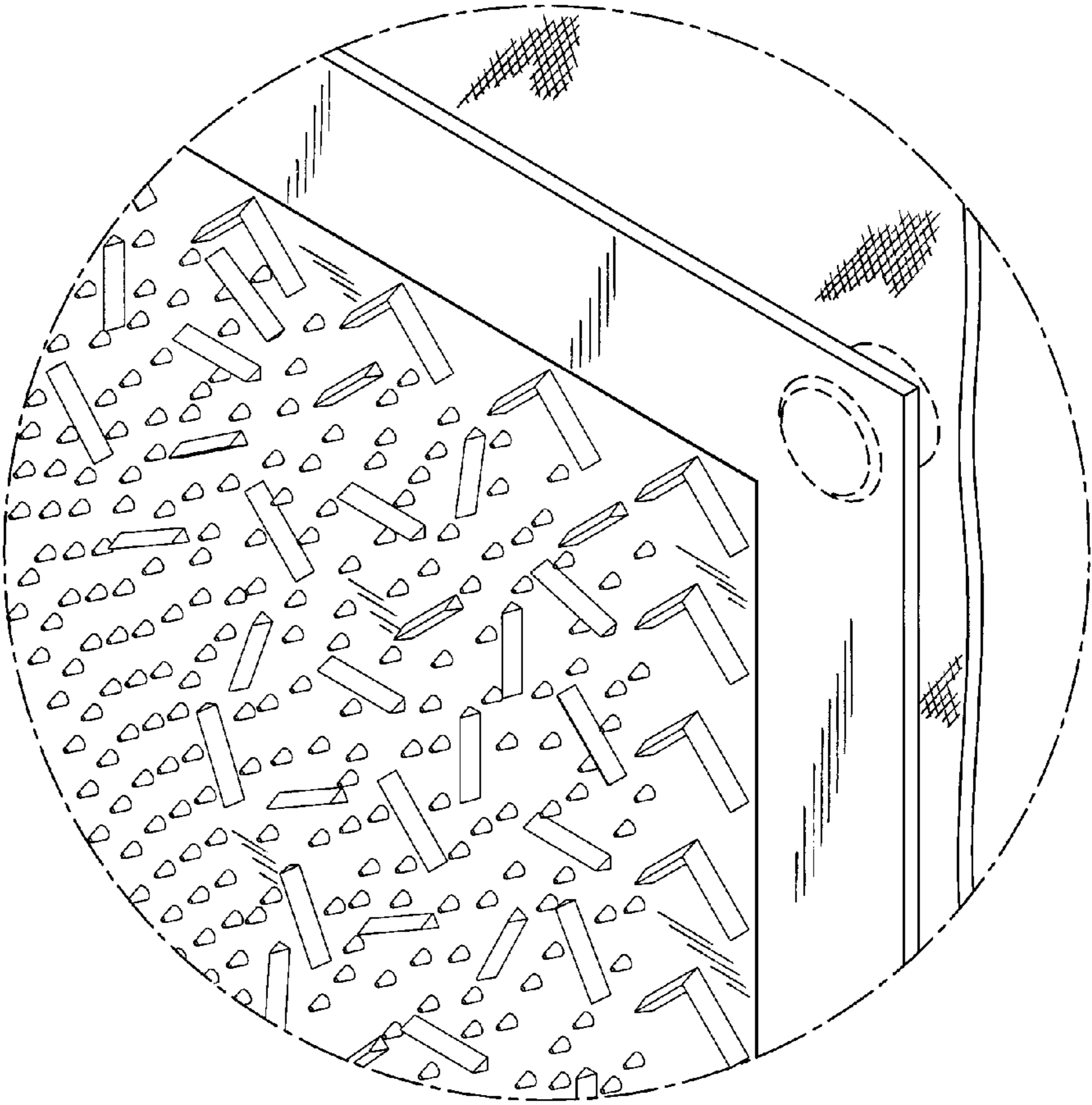


FIG.3

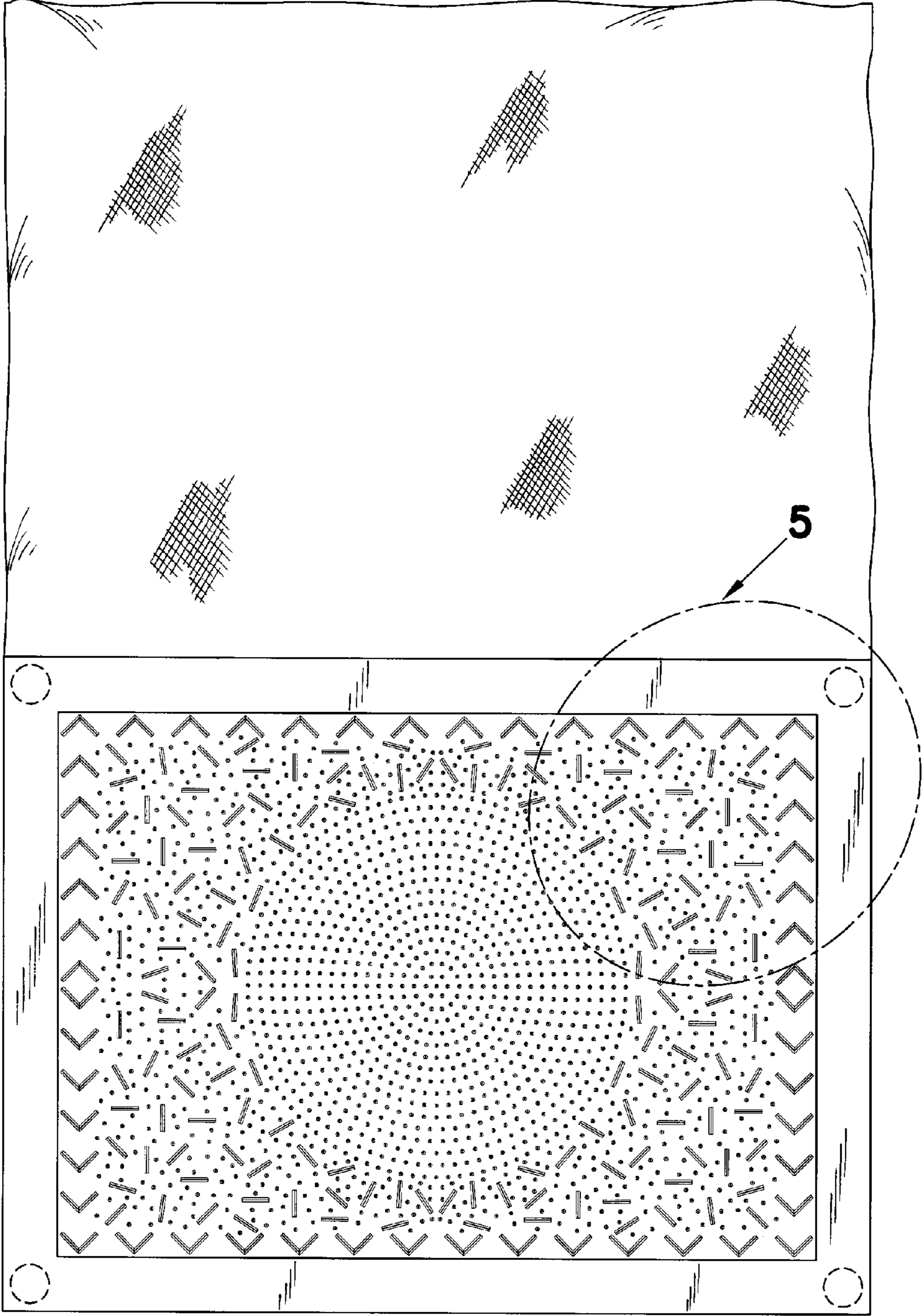


FIG.4

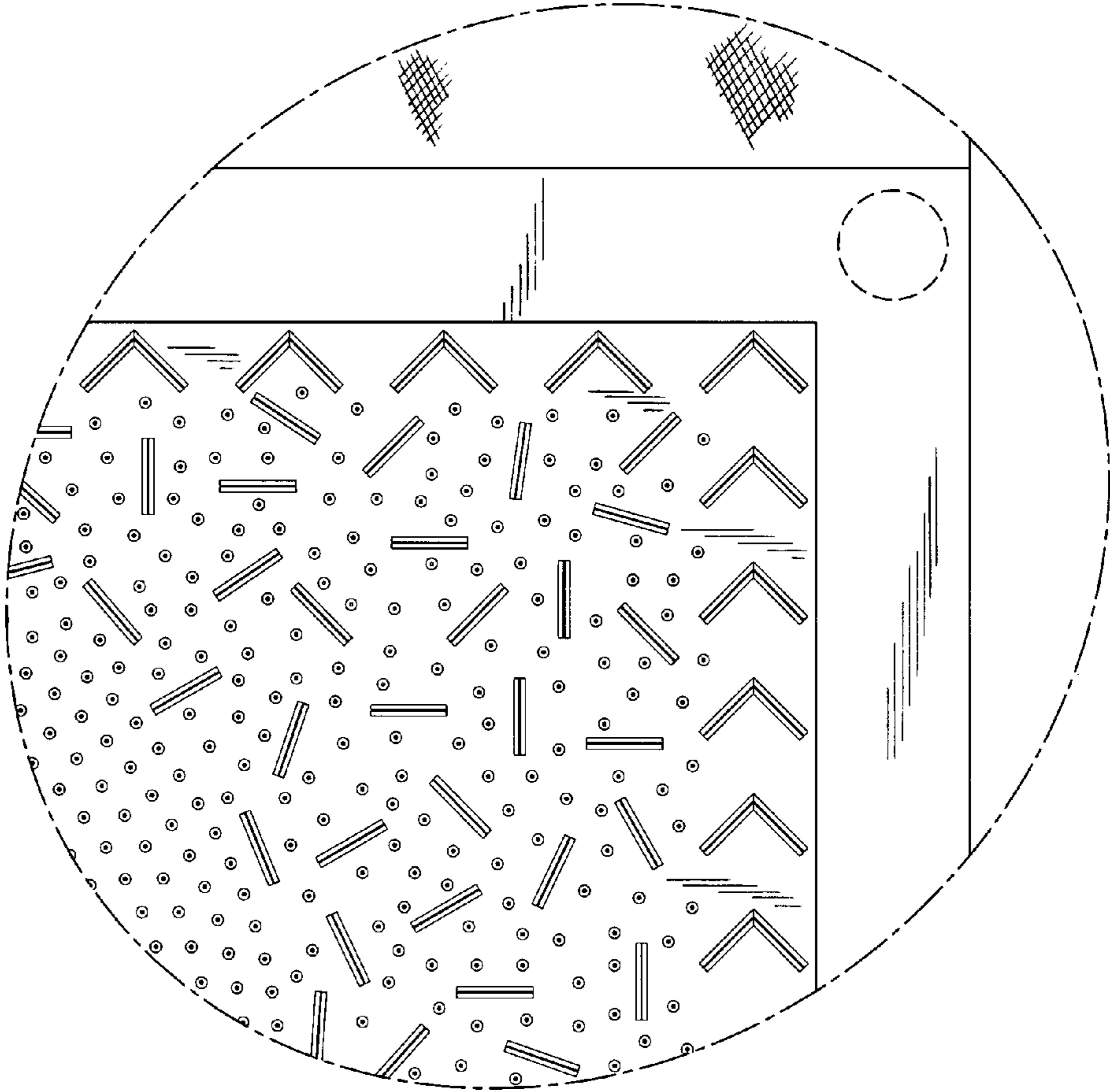


FIG.5

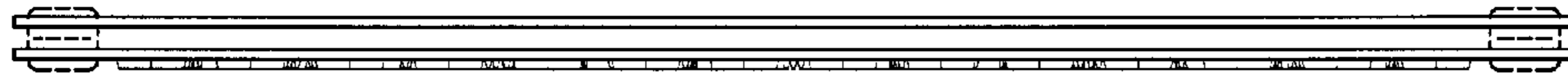


FIG. 6



FIG. 7

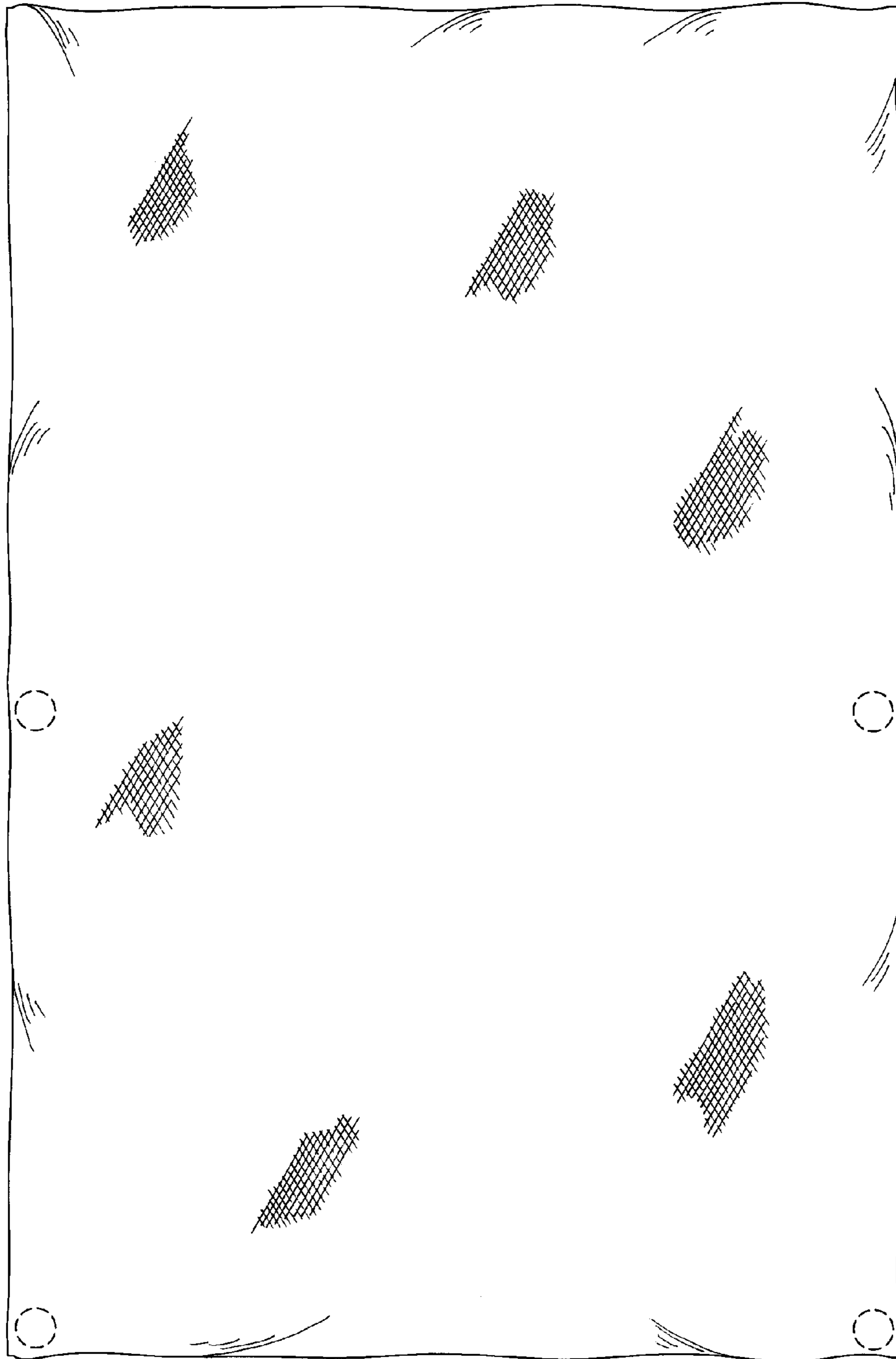


FIG.8