



US00D699310S

(12) **United States Design Patent**
Cox

(10) **Patent No.:** **US D699,310 S**
(45) **Date of Patent:** **** Feb. 11, 2014**

- (54) **BILLIARD TABLE**
- (71) Applicant: **Brunswick Corporation**, Lake Forest, IL (US)
- (72) Inventor: **Anthony F. Cox**, Ho Chi Minh (VN)
- (73) Assignee: **Brunswick Corporation**, Lake Forest, IL (US)
- (**) Term: **14 Years**
- (21) Appl. No.: **29/444,528**
- (22) Filed: **Jan. 31, 2013**
- (51) **LOC (10) Cl.** **06-03**
- (52) **U.S. Cl.**
USPC **D21/784**
- (58) **Field of Classification Search**
USPC D21/782-784; D6/492-597; 473/1, 4, 473/9, 17, 21, 29, 33
See application file for complete search history.

3,881,727 A	5/1975	Olson	
4,010,949 A	3/1977	Lee	
D257,469 S	10/1980	Moore	
D257,684 S	12/1980	Moore	
4,474,374 A	10/1984	Lewis et al.	
4,909,507 A	3/1990	McKnown	
D332,293 S	1/1993	Powers	
5,183,254 A *	2/1993	Jones 473/4
D348,298 S	6/1994	Fitzhugh	
D348,916 S	7/1994	Powers	
D349,742 S	8/1994	Tyne	
5,451,187 A	9/1995	Brinkley	
D408,487 S	4/1999	McCormick et al.	
D408,488 S	4/1999	McCormick et al.	
D418,185 S *	12/1999	McCormick et al. D21/784
6,053,818 A *	4/2000	McCormick 473/4
6,102,808 A	8/2000	Wong	
6,149,530 A	11/2000	Shih	
D443,012 S	5/2001	Baker	
D443,325 S	6/2001	Baker	
D446,275 S *	8/2001	Murrey D21/784
D448,058 S *	9/2001	Baker D21/784
D473,278 S	4/2003	McCormick et al.	
6,547,083 B2	4/2003	Zummo	
6,641,486 B2	11/2003	Shih	
D489,784 S	5/2004	Foley	
D491,245 S	6/2004	Newhouse	

(Continued)

(56) **References Cited**
U.S. PATENT DOCUMENTS

5,322 A	10/1871	Griffith
145,787 A	12/1873	Collender
156,389 A	10/1874	Stiles
373,016 A	11/1887	Dougherty
572,688 A	12/1896	Seifert
1,509,144 A	9/1924	Harnet
1,535,926 A	4/1925	Leone
1,547,996 A	7/1925	Drost et al.
1,568,154 A	1/1926	Hannon et al.
D85,561 S	11/1931	Toce
D85,572 S	11/1931	Burnstine
2,008,613 A	7/1935	Hernes
2,174,613 A	10/1939	Blaschke
D192,086 S	1/1962	Reineman
D208,257 S	8/1967	Kotler
D215,220 S	9/1969	Eide

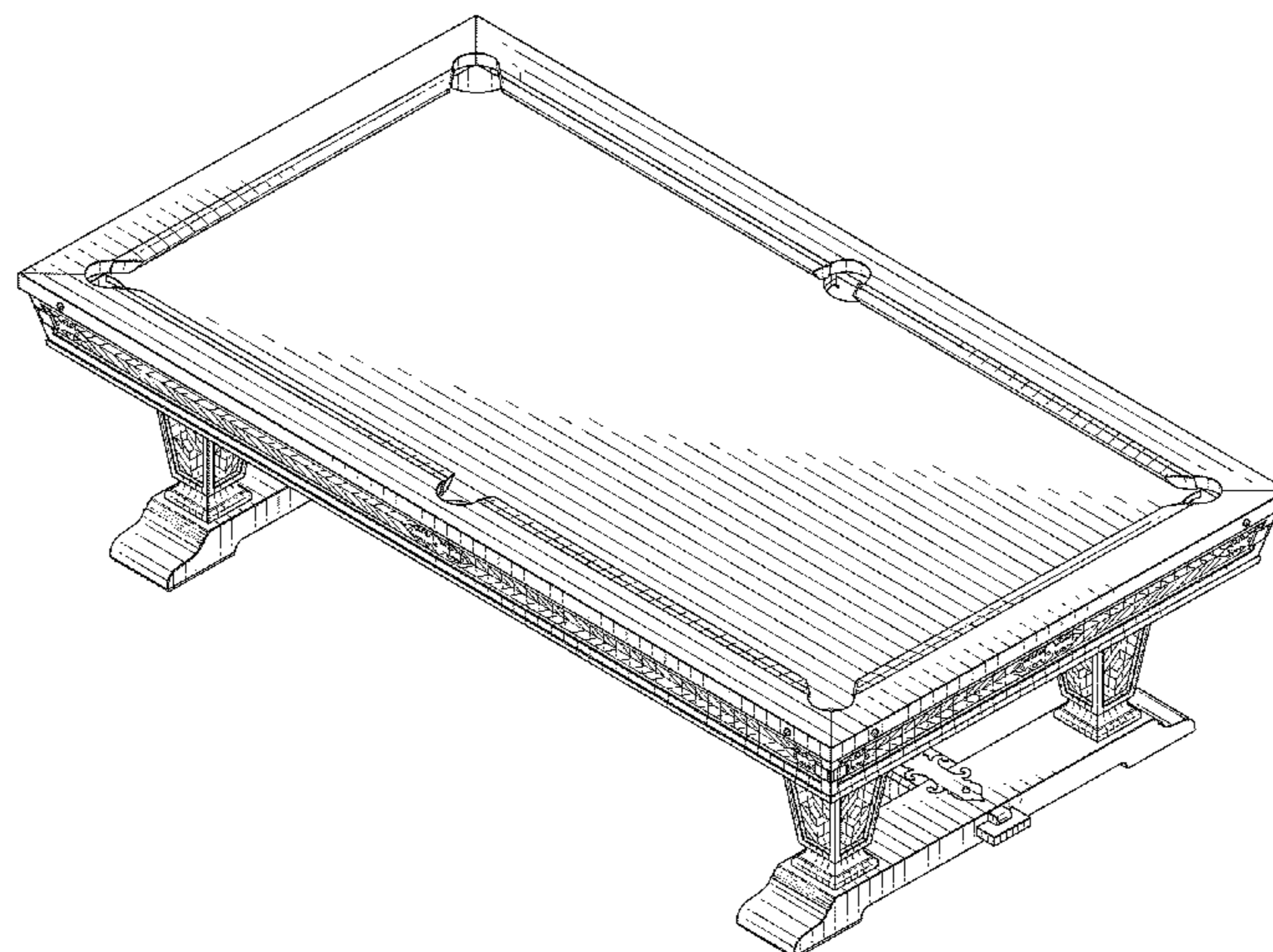
Primary Examiner — Prabhakar Deshmukh
(74) *Attorney, Agent, or Firm* — Eric D. Bublitz

(57) **CLAIM**
The ornamental design for a billiard table, as shown and described.

DESCRIPTION

FIG. 1 is a perspective view of a billiard table showing the new design;
FIG. 2 is left side elevational view thereof;
FIG. 3 is a front elevational view thereof; and,
FIG. 4 is a top plan view thereof.

1 Claim, 4 Drawing Sheets



(56)

References Cited

U.S. PATENT DOCUMENTS

D494,241 S 8/2004 Moore, Sr.
D494,242 S 8/2004 McCormick
D495,766 S 9/2004 Moore, Sr.
D500,543 S 1/2005 Stein
6,866,590 B2 3/2005 Tucker
6,872,147 B2 3/2005 Shih

D505,173 S 5/2005 Foley
D507,322 S * 7/2005 Hobbs et al. D21/784
D510,824 S 10/2005 Moore, Sr.
D515,650 S * 2/2006 Hobbs et al. D21/784
D599,426 S * 9/2009 Blair et al. D21/784
7,749,090 B2 7/2010 Caron et al.
D676,917 S * 2/2013 McCormick et al. D21/784
2004/0224780 A1 11/2004 Nagle
2005/0221902 A1 10/2005 Chen

* cited by examiner

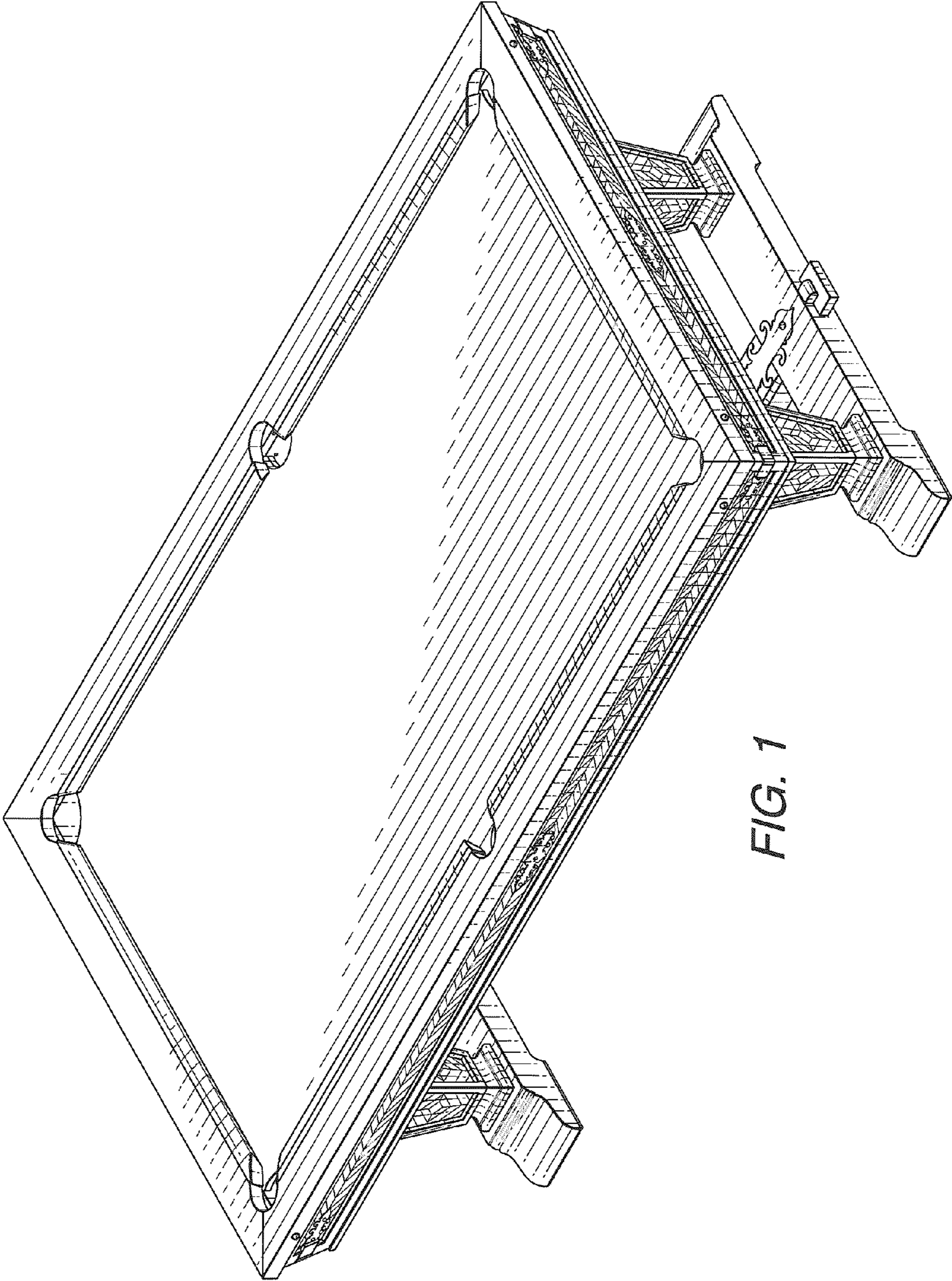


FIG. 1

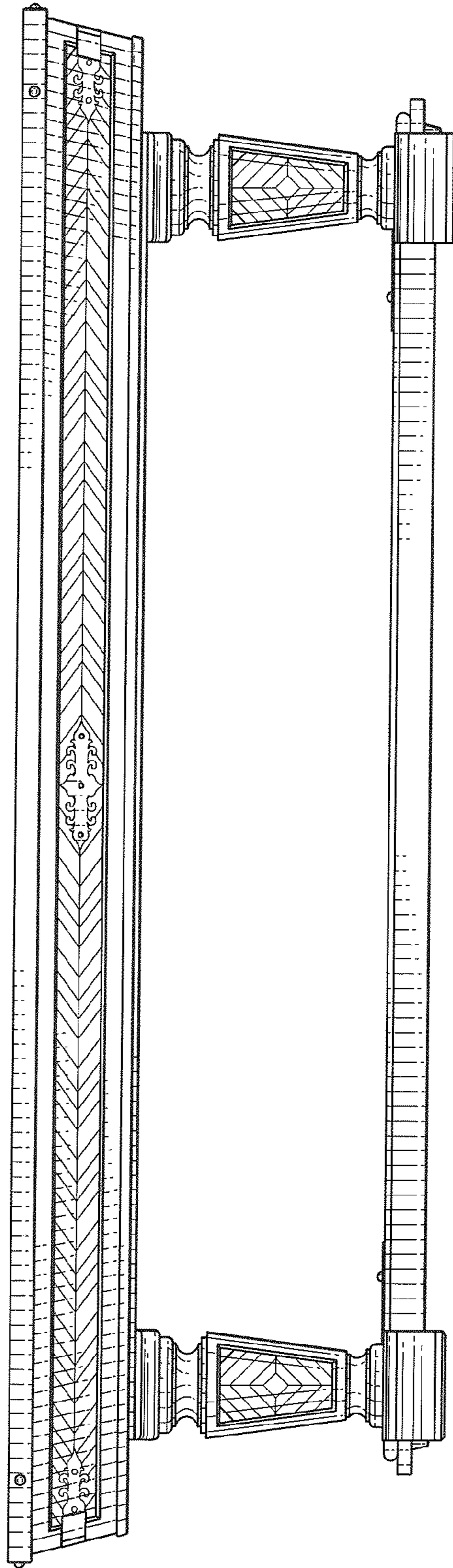


FIG. 2

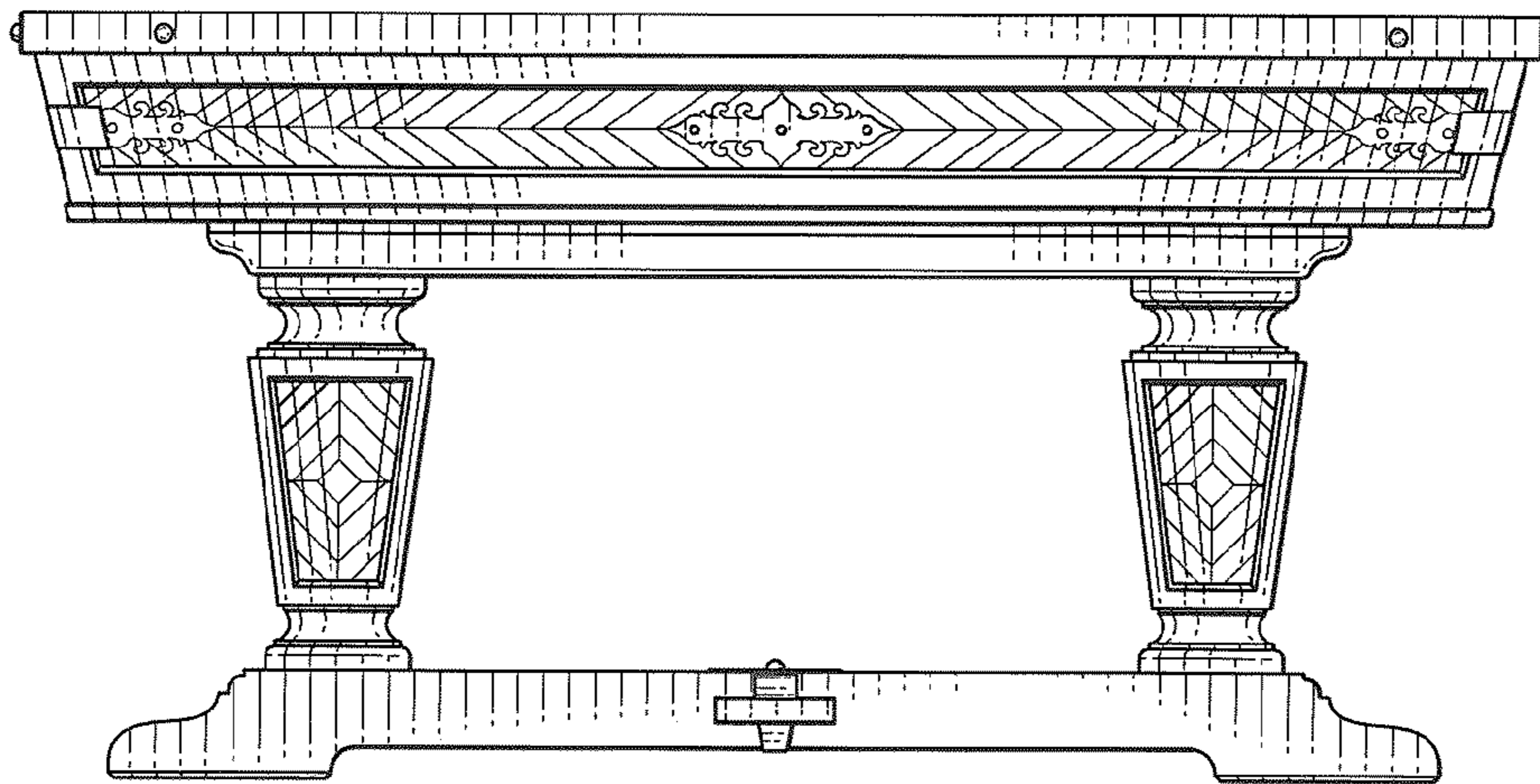


FIG. 3

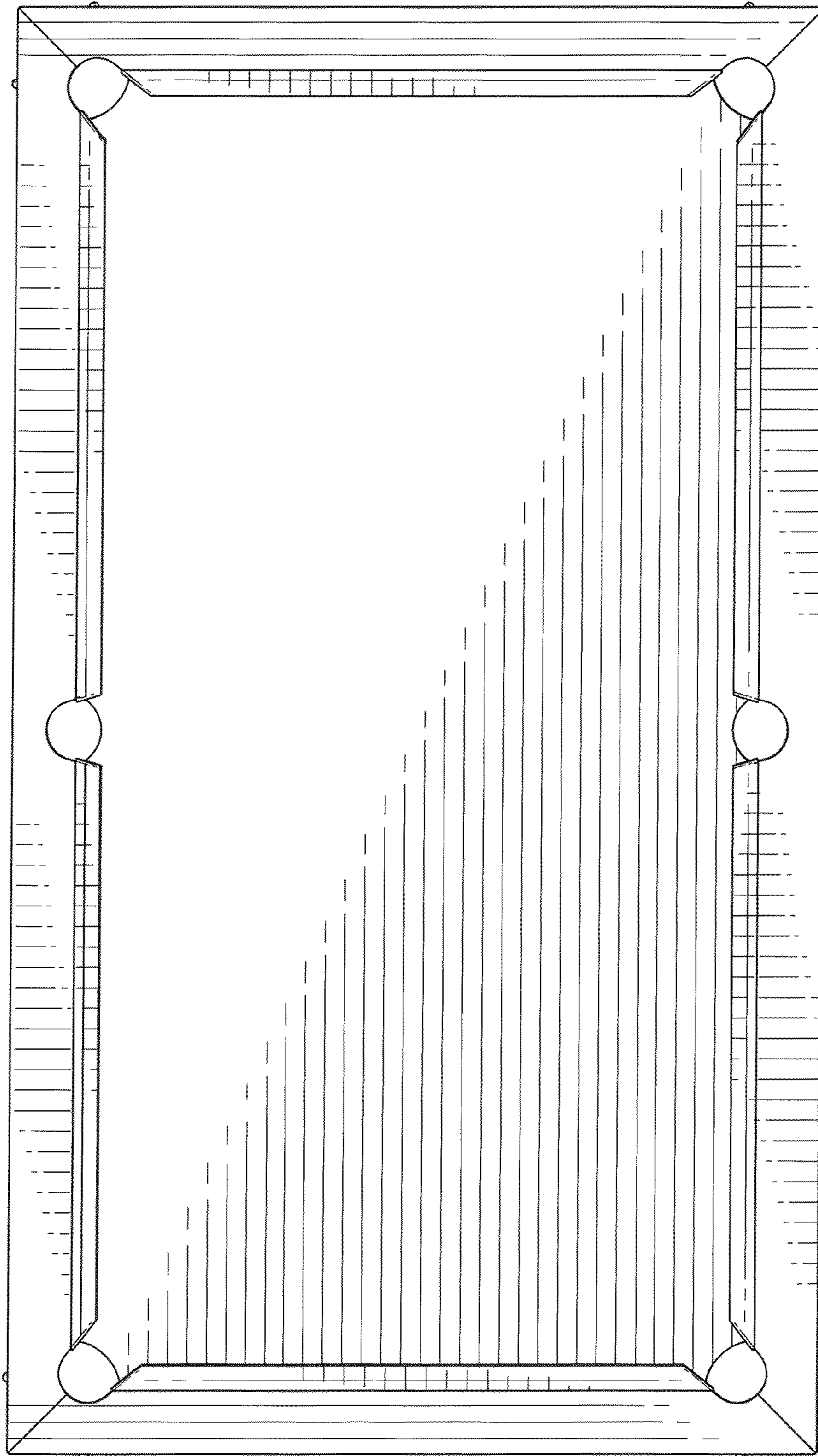


FIG. 4