



US00D699309S

(12) **United States Design Patent**
Lai

(10) **Patent No.:** **US D699,309 S**

(45) **Date of Patent:** **** Feb. 11, 2014**

(54) **SKATEBOARD**

(71) Applicant: **Po-Chih Lai**, Kaohsiung (TW)

(72) Inventor: **Po-Chih Lai**, Kaohsiung (TW)

(73) Assignee: **Stair-Rover Limited**, London (GB)

(**) Term: **14 Years**

(21) Appl. No.: **29/438,421**

(22) Filed: **Nov. 29, 2012**

(51) **LOC (10) Cl.** **21-02**

(52) **U.S. Cl.**
USPC **D21/765**

(58) **Field of Classification Search**

USPC D21/419, 421, 423, 426, 760, 765, 766,
D21/769, 771, 776, 803; 280/7.14, 11.115,
280/11.19, 11.27, 11.28, 14.21, 87.01,
280/87.021, 87.03, 87.041, 87.042, 607,
280/608, 609, 809; 180/180, 181; 434/247,
434/253, 258

See application file for complete search history.

(56) **References Cited**

U.S. PATENT DOCUMENTS

D398,358 S * 9/1998 Jeffreys D21/765
D444,197 S * 6/2001 Augustin D21/765
D505,704 S * 5/2005 Ying D21/765

* cited by examiner

Primary Examiner — Cynthia M Chin

(74) *Attorney, Agent, or Firm* — Ming Chow; Sinorica, LLC

(57) **CLAIM**

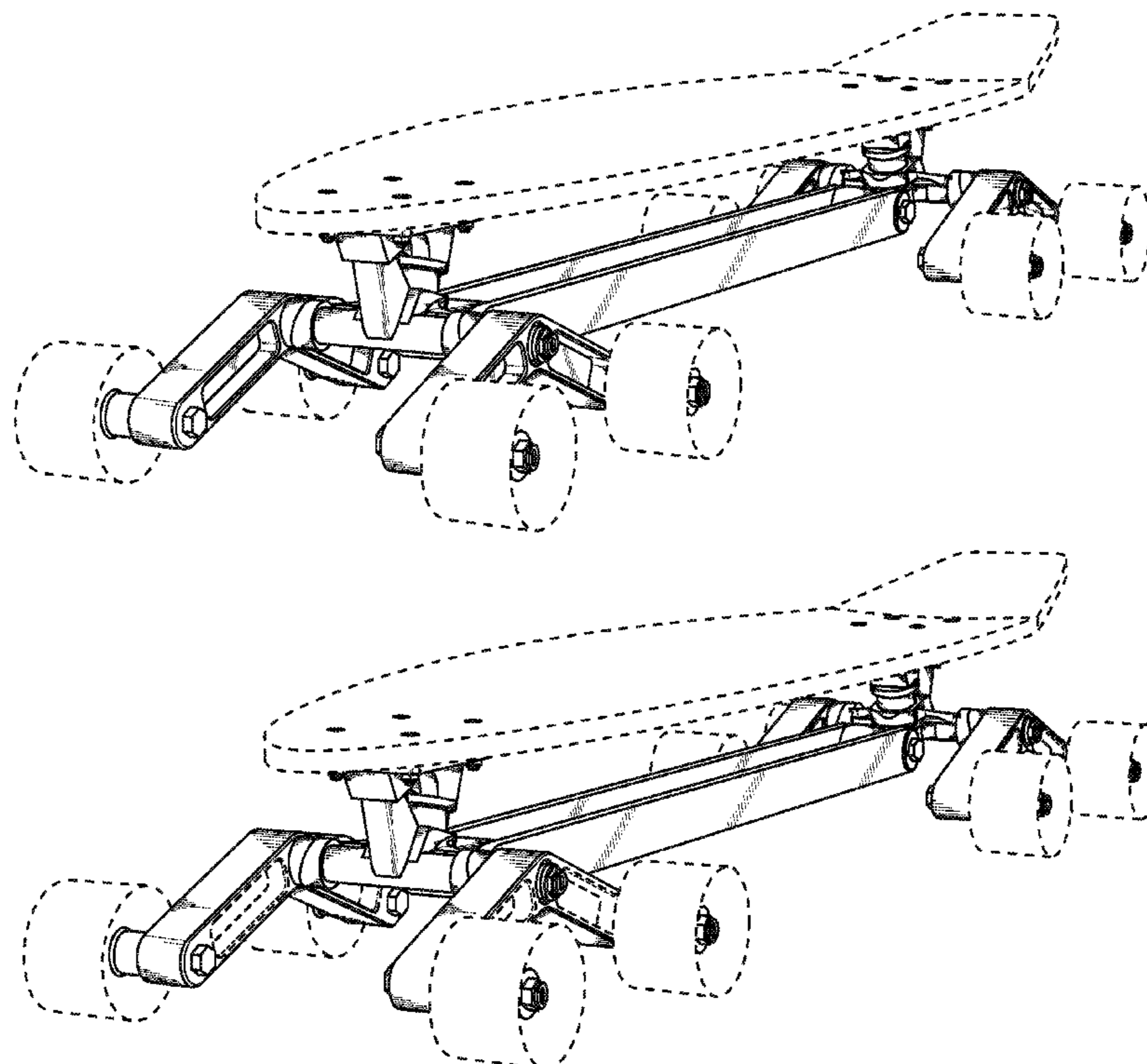
The ornamental design for a skateboard, as shown and described.

DESCRIPTION

FIG. 1 is a front perspective view of a first embodiment of a skateboard of the new design; FIG. 2 is a front view thereof; FIG. 3 is a rear view thereof; FIG. 4 is a right-side view thereof; FIG. 5 is a left-side view thereof; FIG. 6 is a top view thereof; FIG. 7 is a bottom view thereof; FIG. 8 is a front perspective view of a second embodiment of a skateboard of the new design; FIG. 9 is a front view thereof; FIG. 10 is a rear view thereof; FIG. 11 is a right-side view thereof; FIG. 12 is a left-side view thereof; FIG. 13 is a top view thereof; FIG. 14 is a bottom view thereof; FIG. 15 is an enlarged front perspective partial view taken from the front truck of FIG. 1; and, FIG. 16 is an enlarged front perspective partial view taken from the front truck of FIG. 8.

The broken lines shown are included for the purpose of illustrating the unclaimed portions of the article and form no part of the claimed design.

1 Claim, 14 Drawing Sheets



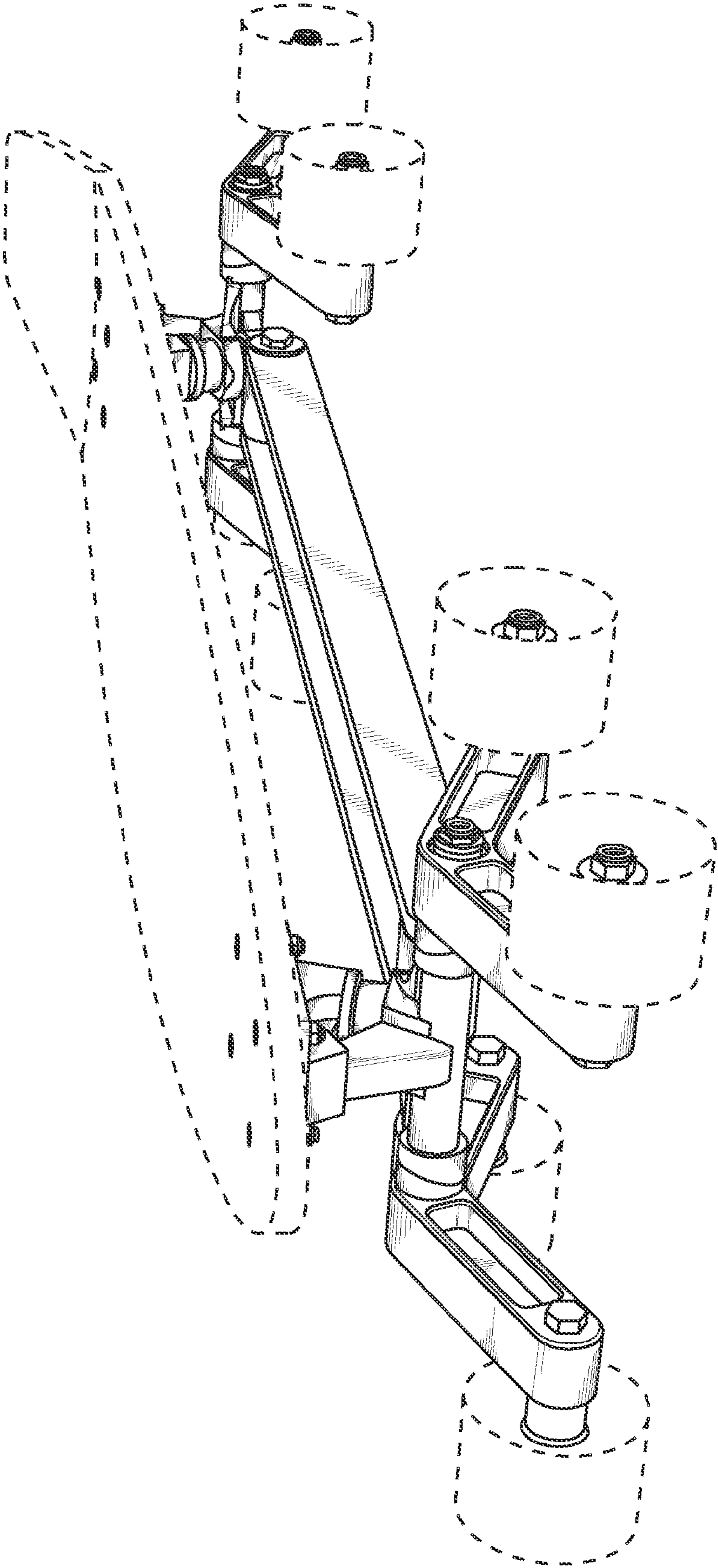


Fig. 1

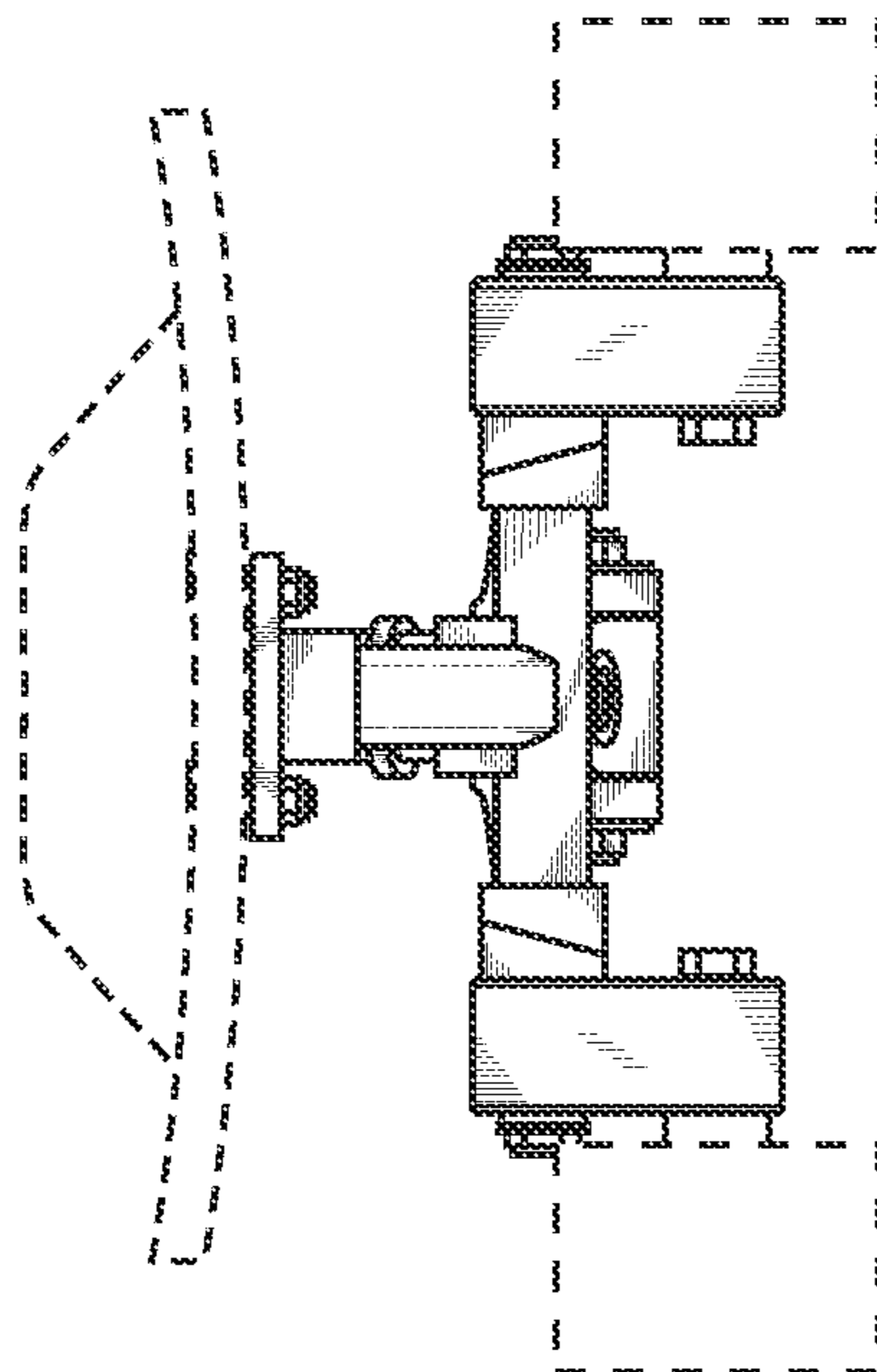


Fig. 2

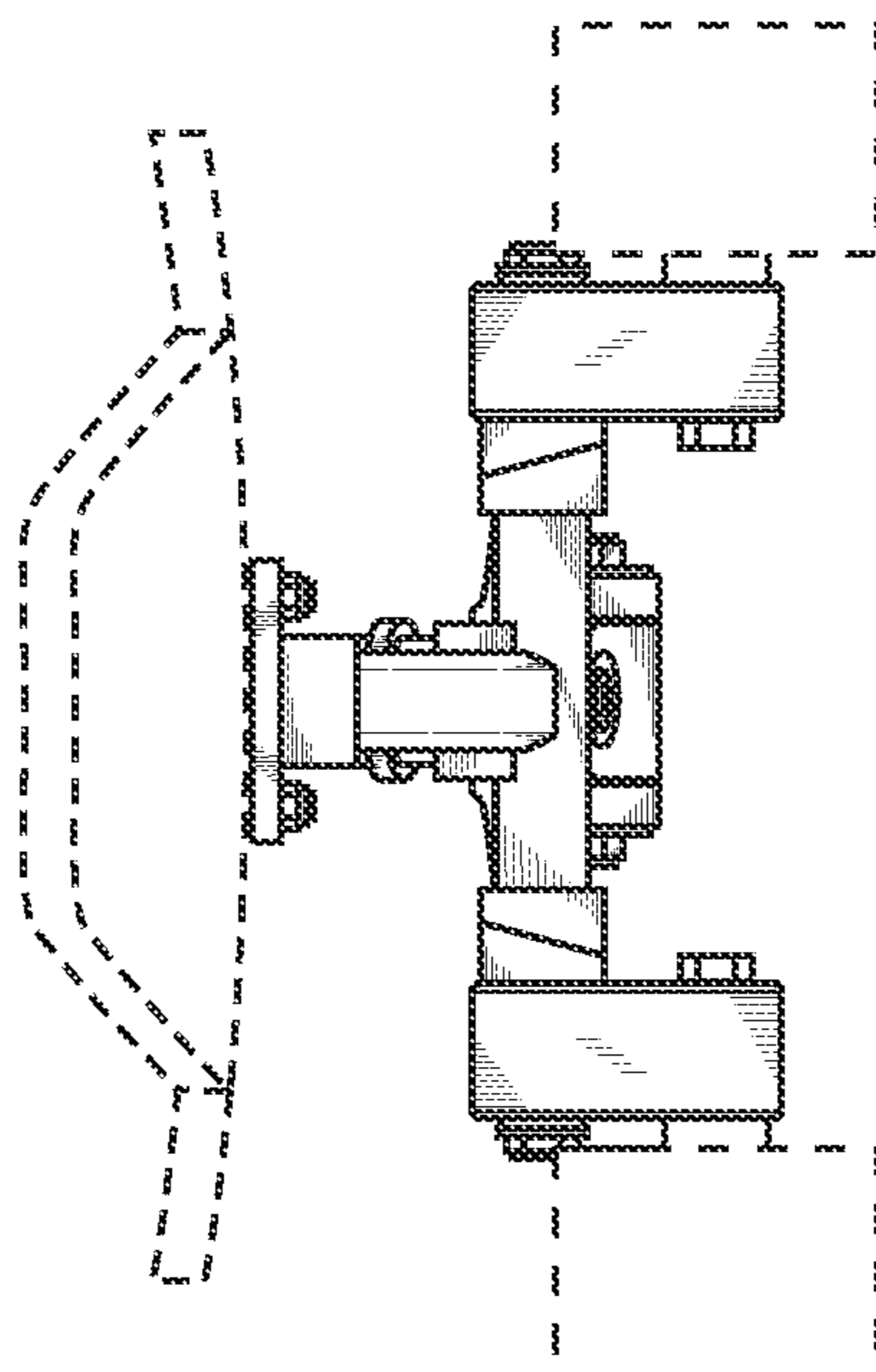


Fig. 3

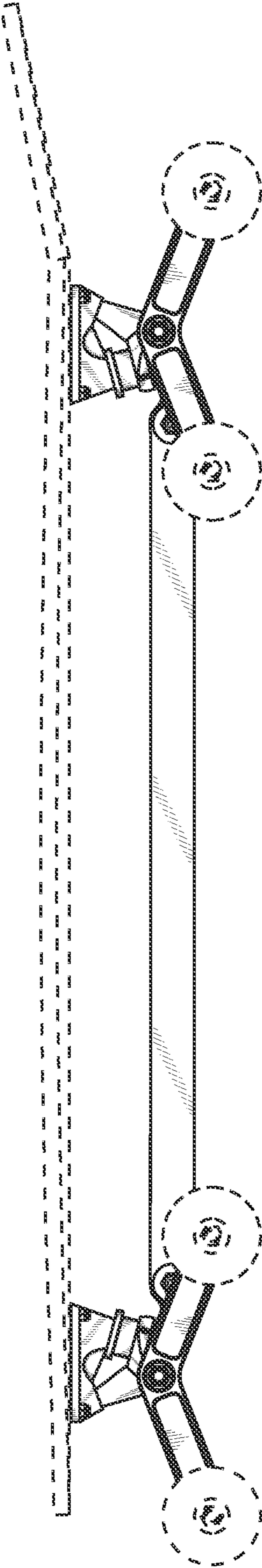


Fig. 4

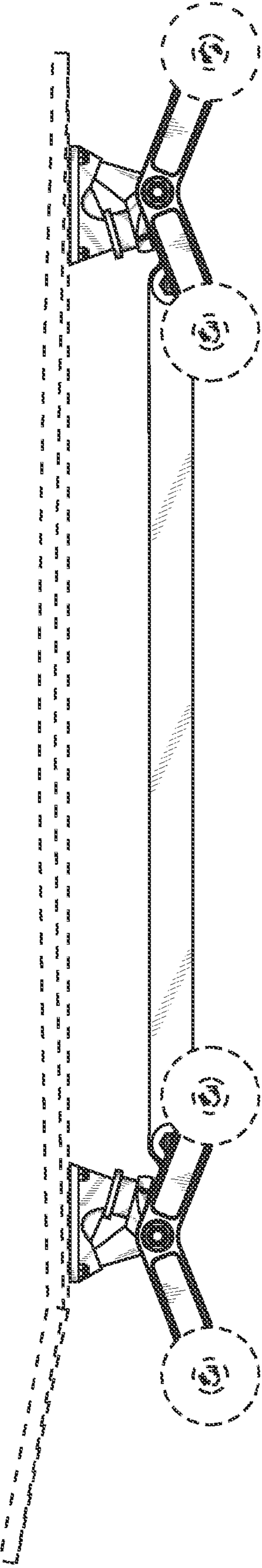


Fig. 5

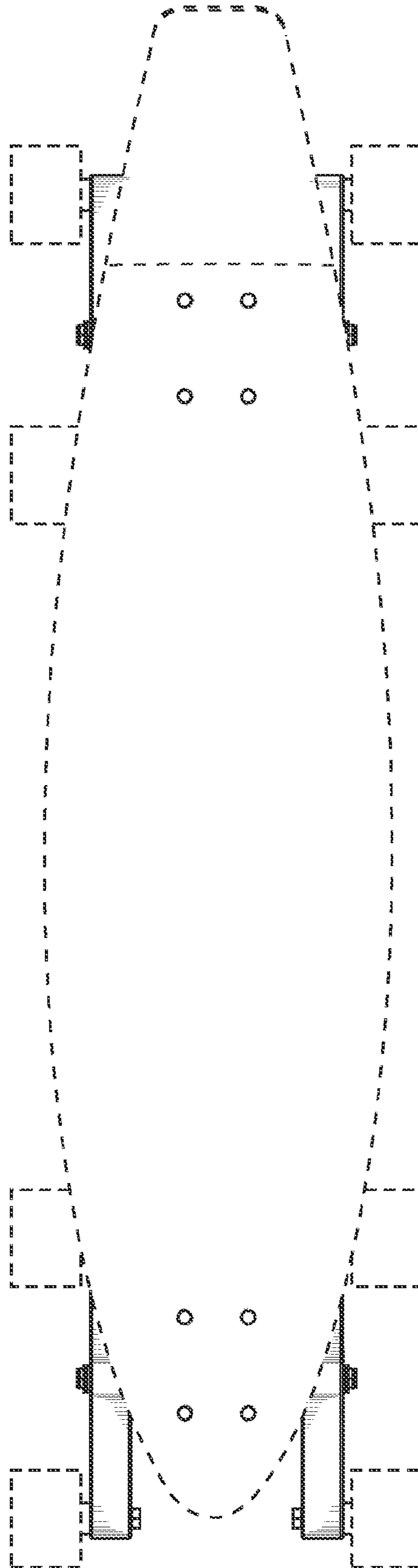


Fig. 6

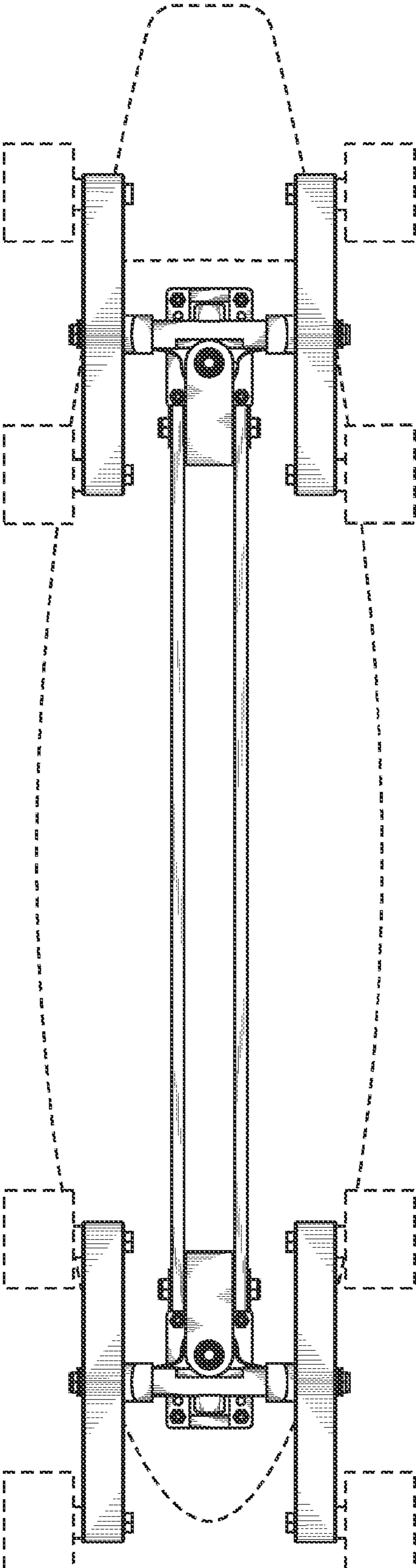


Fig. 7

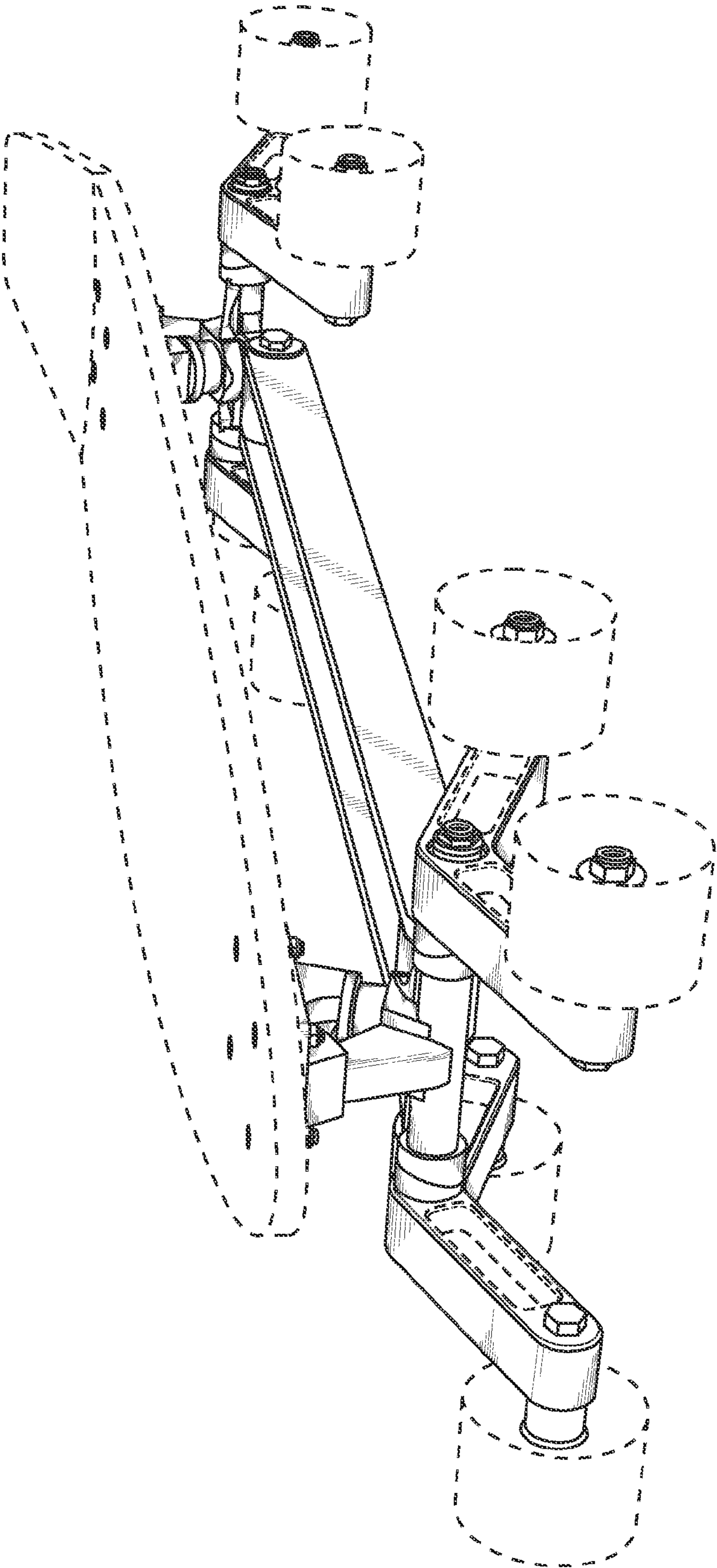


Fig. 8

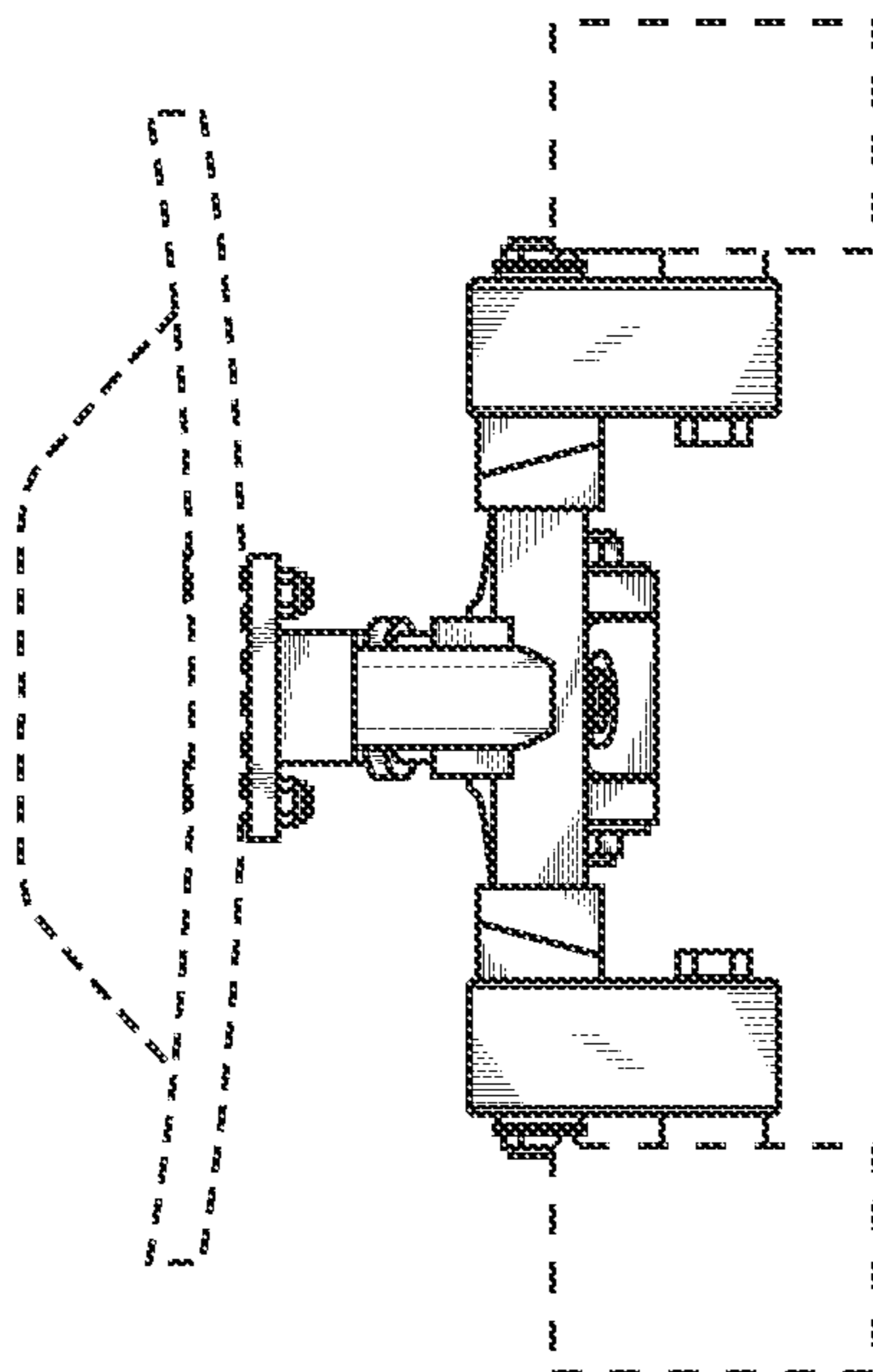


Fig. 10

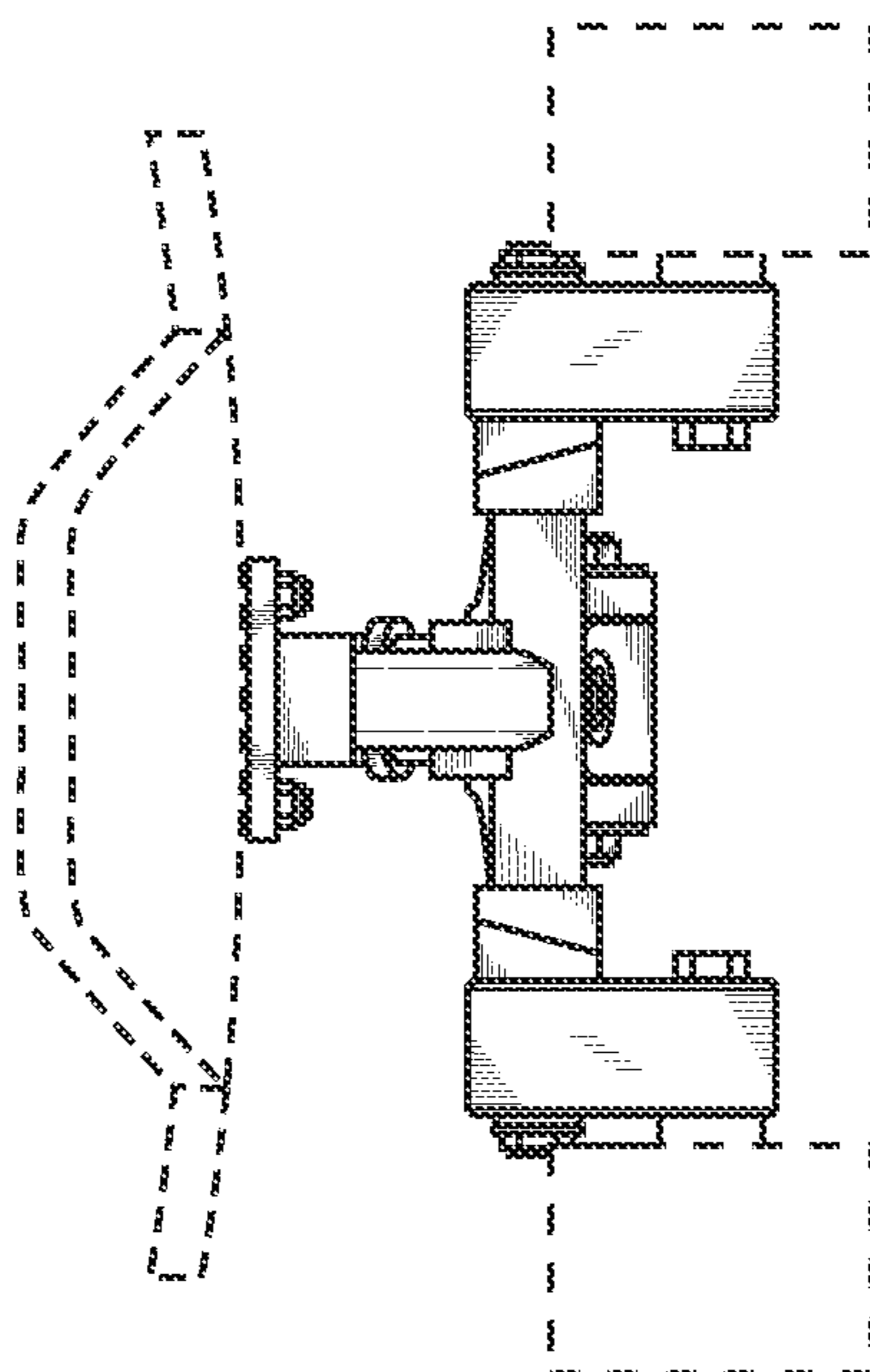


Fig. 9

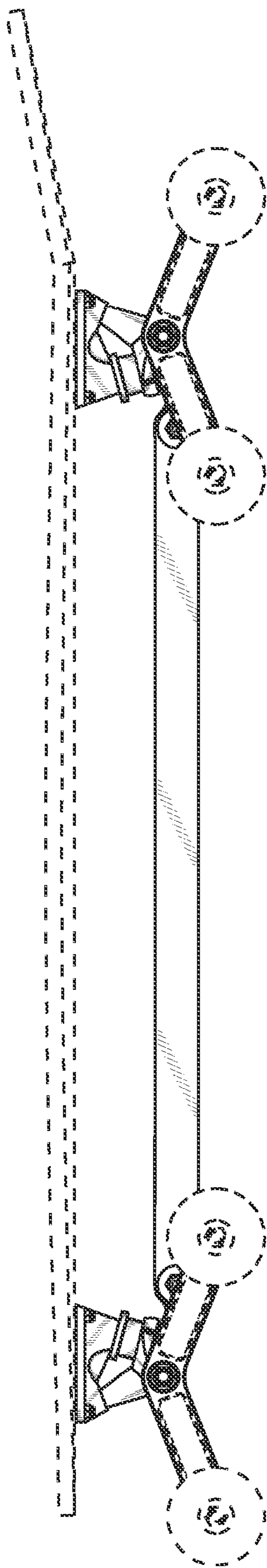


Fig. 11

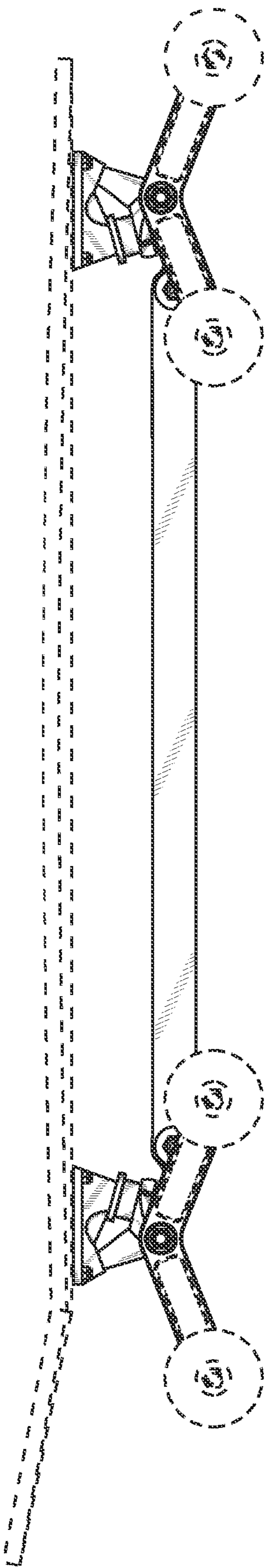


Fig. 12

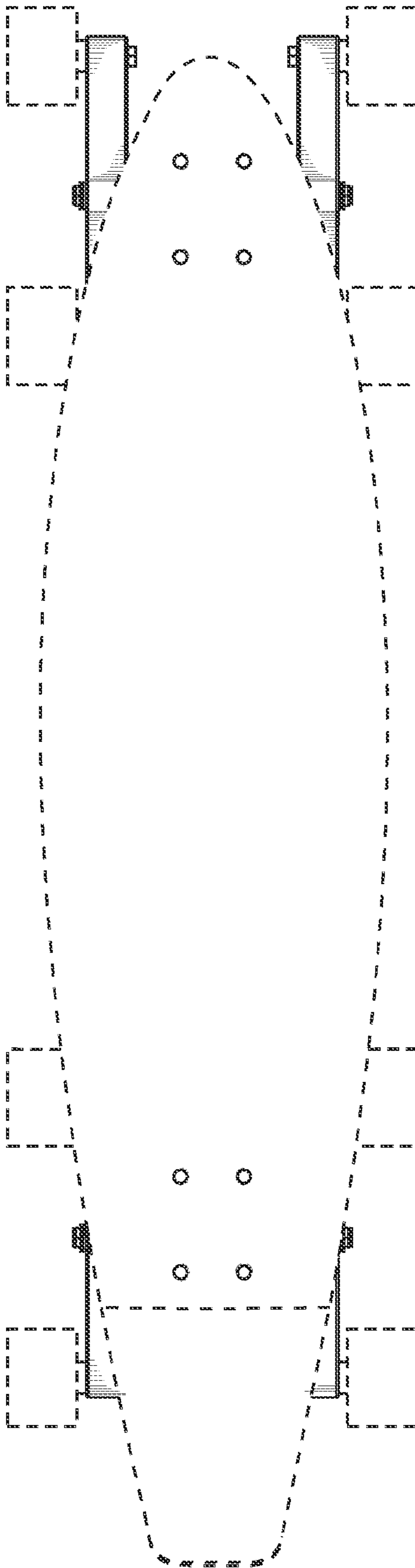


Fig. 13

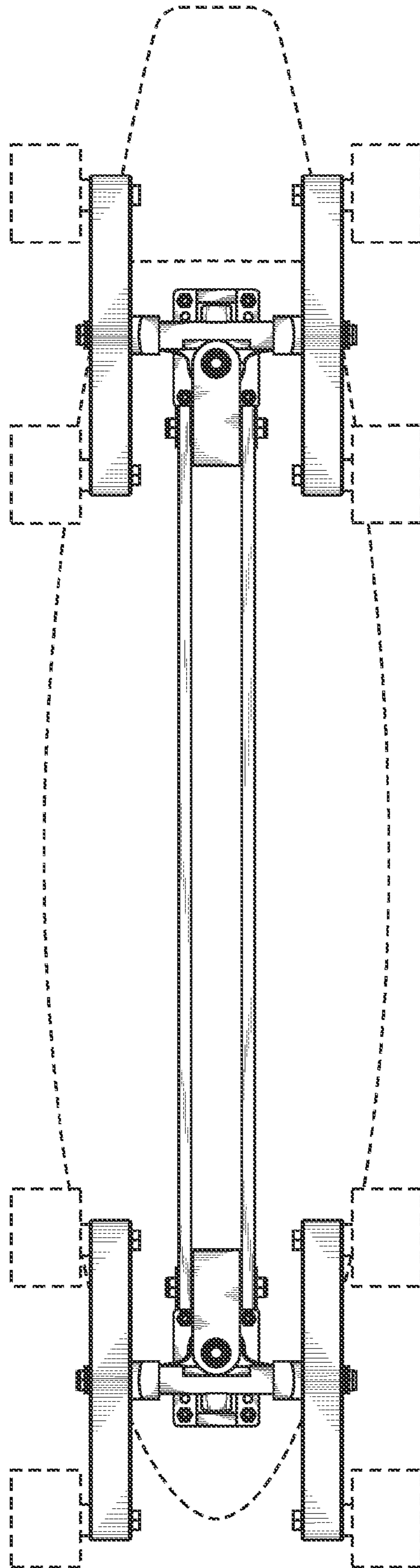


Fig. 14

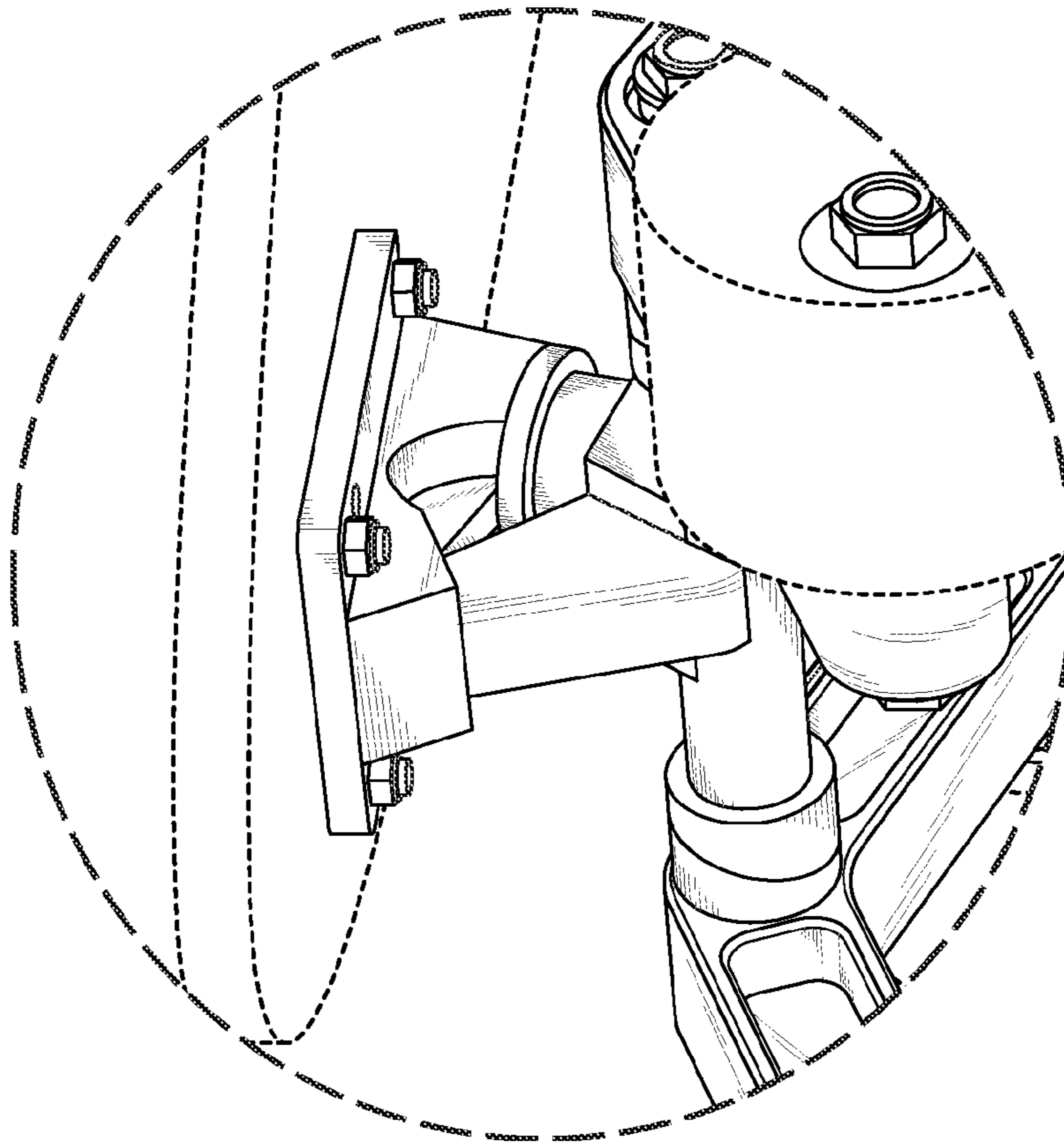


Fig. 15

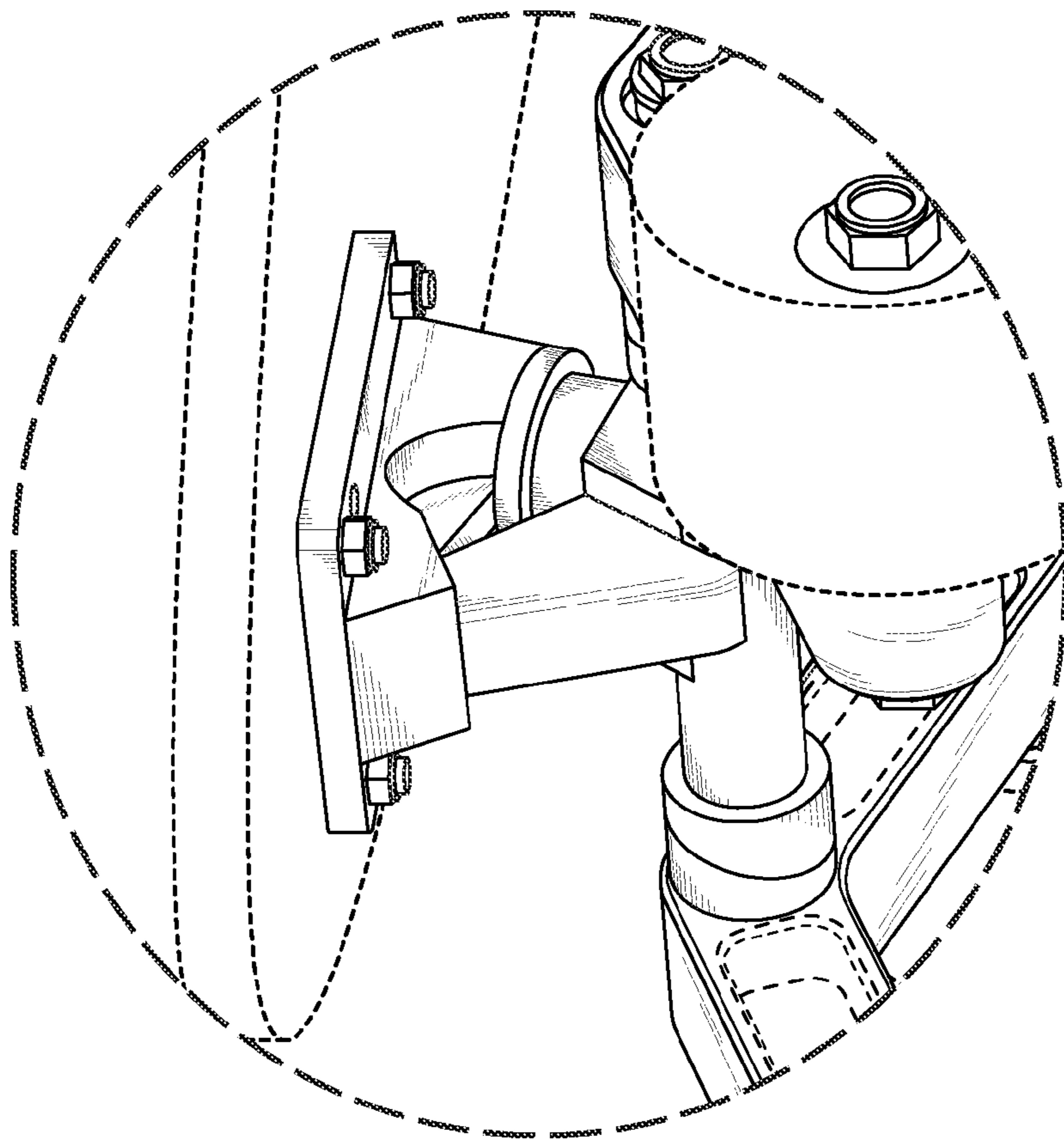


Fig. 16