

US00D699305S

(12) **United States Design Patent**
Rauwerdink

(10) **Patent No.:** **US D699,305 S**

(45) **Date of Patent:** **** Feb. 11, 2014**

(54) **EXERCISE BIKE FLYWHEEL HOUSING**

(71) Applicant: **Nautilus, Inc.**, Vancouver, WA (US)

(72) Inventor: **Matthew Rauwerdink**, Portland, OR (US)

(73) Assignee: **Nautilus, Inc.**, Vancouver, WA (US)

(**) Term: **14 Years**

(21) Appl. No.: **29/438,881**

(22) Filed: **Dec. 4, 2012**

(51) **LOC (10) Cl.** **21-02**

(52) **U.S. Cl.**
USPC **D21/667; D21/665**

(58) **Field of Classification Search**
USPC D21/663, 664, 665, 666, 667, 694, 697;
482/51, 52, 53, 54, 57, 58, 59, 62, 64
See application file for complete search history.

(56) **References Cited**

U.S. PATENT DOCUMENTS

562,198 A	6/1896	Robinson	
1,861,226 A	5/1932	O'Connor	
4,188,030 A	2/1980	Hooper	
D256,688 S	9/1980	Zielinski	
4,712,789 A	12/1987	Brilando	
4,712,790 A	12/1987	Szymski	
4,824,102 A	4/1989	Lo	
4,838,544 A	6/1989	Sasakawa et al.	
4,875,674 A	10/1989	Dreissigacker et al.	
4,880,225 A	11/1989	Lucas et al.	
D305,348 S	1/1990	Schuring et al.	
D306,330 S	2/1990	Lucas et al.	
4,902,001 A	2/1990	Balbo	
D307,167 S	4/1990	Lucas et al.	
4,917,376 A	4/1990	Lo	
D307,614 S *	5/1990	Bingham et al.	D21/667
D307,615 S	5/1990	Bingham et al.	
4,932,649 A *	6/1990	Chen	482/59

4,932,650 A	6/1990	Bingham et al.	
4,961,569 A	10/1990	Roberge	
4,961,570 A *	10/1990	Chang	482/53
4,971,316 A *	11/1990	Dalebout et al.	482/62
4,981,294 A	1/1991	Dalebout et al.	
5,000,444 A	3/1991	Dalebout et al.	
D318,505 S	7/1991	Gustafsson et al.	
D319,274 S	8/1991	Byrd et al.	

(Continued)

OTHER PUBLICATIONS

U.S. Appl. No. 29/438,869, filed Dec. 4, 2012, Rauwerdink.

(Continued)

Primary Examiner — Susan E Krakower

(74) *Attorney, Agent, or Firm* — Dorsey & Whitney LLP

(57) **CLAIM**

The ornamental design for an exercise bike flywheel housing, as shown and described.

DESCRIPTION

FIG. 1 shows a front perspective view of an exercise bike flywheel housing;

FIG. 2 shows a front elevation view of the flywheel housing of FIG. 1;

FIG. 3 shows a rear elevation view of the flywheel housing of FIG. 1;

FIG. 4 shows a left elevation view of the flywheel housing of FIG. 1;

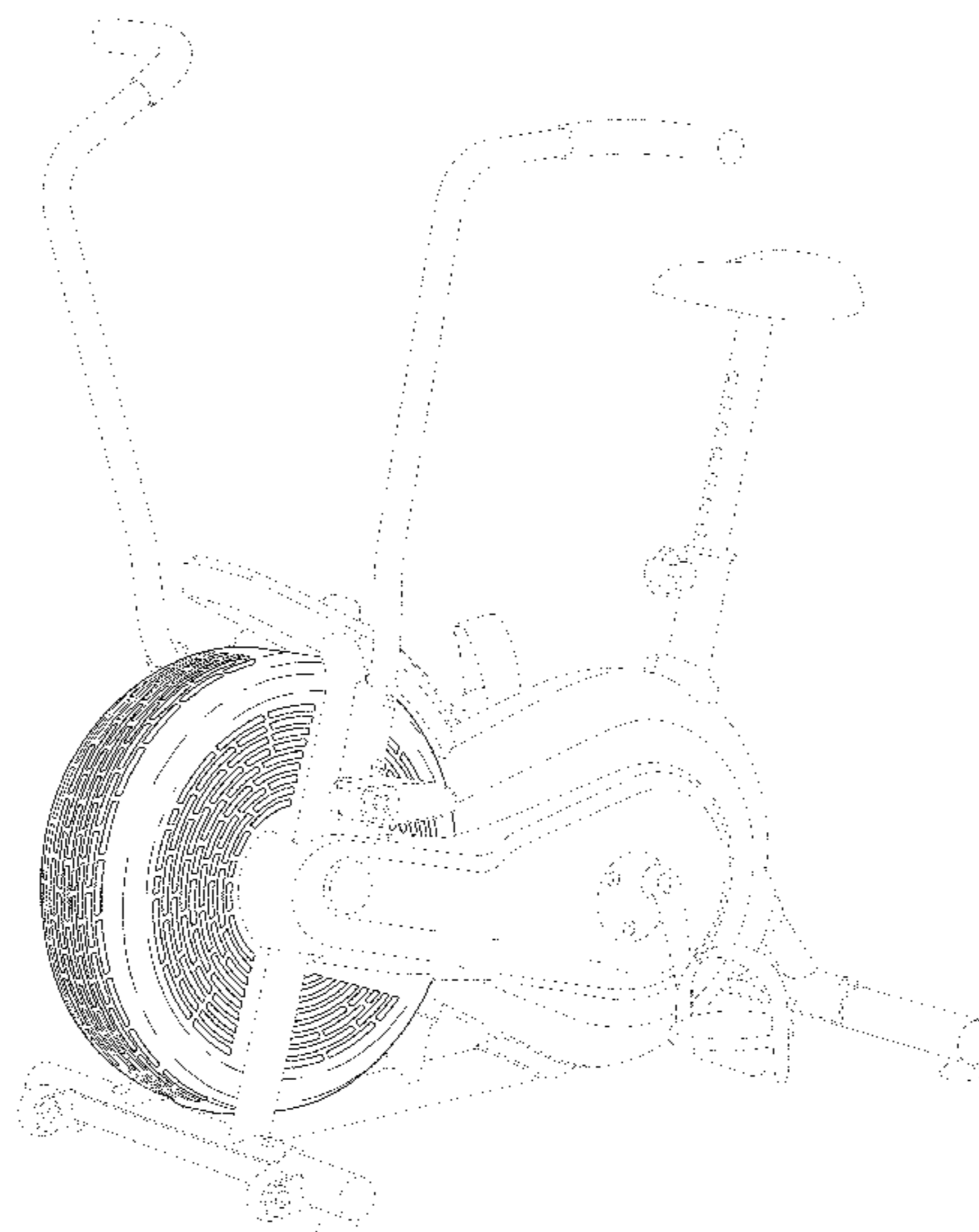
FIG. 5 shows a right elevation view of the flywheel housing of FIG. 1;

FIG. 6 shows a top view of the flywheel housing of FIG. 1; and,

FIG. 7 shows a bottom view of the flywheel housing of FIG. 1.

The broken lines illustrate environmental structure and form no part of the claimed design.

1 Claim, 6 Drawing Sheets



(56)

References Cited

U.S. PATENT DOCUMENTS

D319,480 S 8/1991 Byrd et al.
D319,675 S 9/1991 Byrd et al.
5,149,312 A * 9/1992 Croft et al. 482/62
D330,236 S 10/1992 Jarriel et al.
RE34,478 E * 12/1993 Dalebout et al. 482/59
5,346,445 A * 9/1994 Chang 482/62
D353,638 S 12/1994 Camfield et al.
5,397,286 A 3/1995 Chang
5,443,434 A 8/1995 Buchanan
D378,506 S 3/1997 Stolz et al.
D382,530 S 8/1997 Raudman et al.

6,102,834 A 8/2000 Chen
6,220,991 B1 * 4/2001 Sellers 482/62
6,231,485 B1 5/2001 Dreissigacker et al.
D491,126 S 6/2004 Rivers, Jr. et al.
D519,900 S 5/2006 Francis
D521,087 S 5/2006 Francis
D571,873 S 6/2008 Goldberg
7,547,267 B1 6/2009 Wang
7,955,227 B2 6/2011 Chen

OTHER PUBLICATIONS

U.S. Appl. No. 29/438,884, filed Dec. 4, 2012, Flick et al.
U.S. Appl. No. 29/438,888, filed Dec. 4, 2012, Flick et al.

* cited by examiner

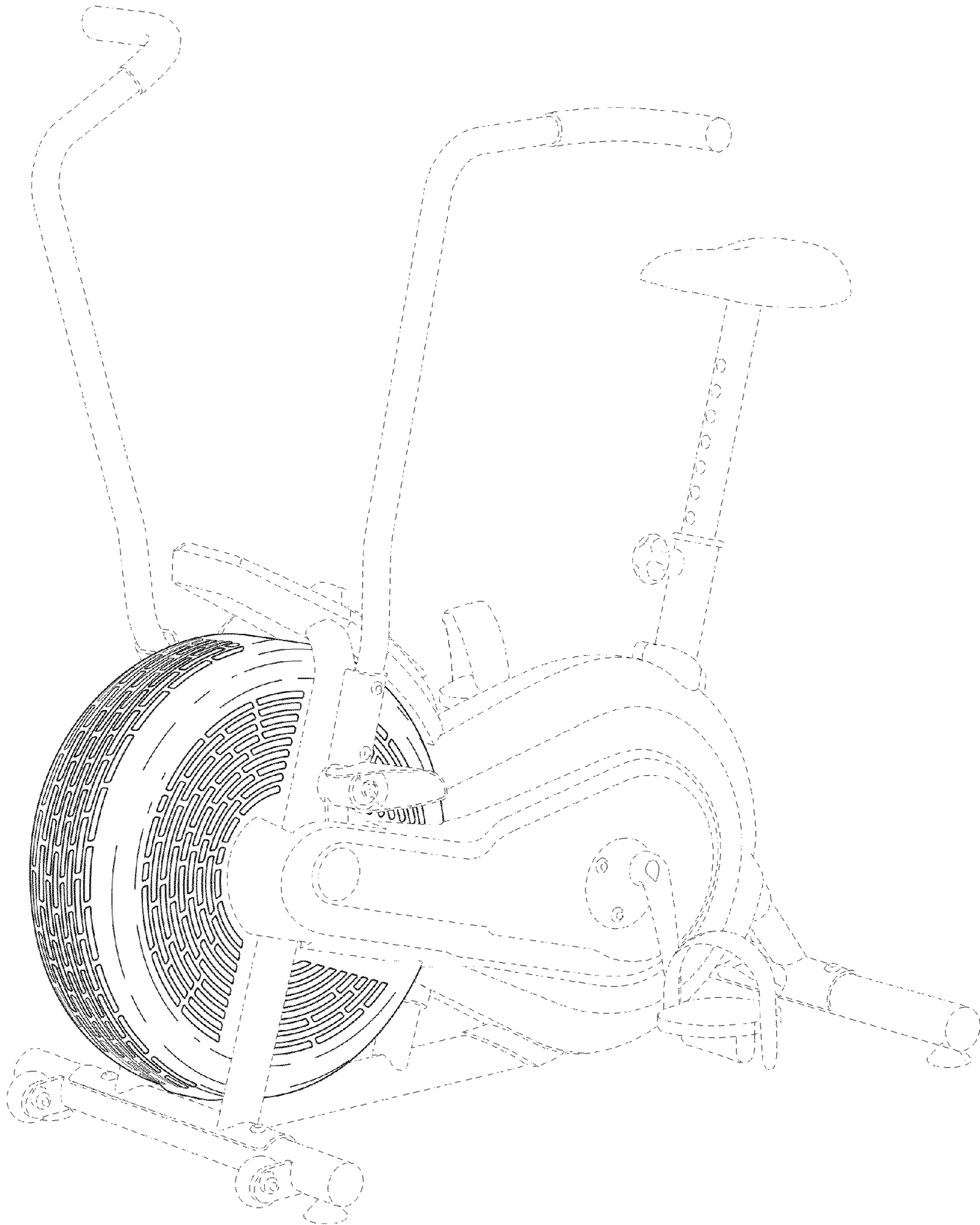


Fig. 1

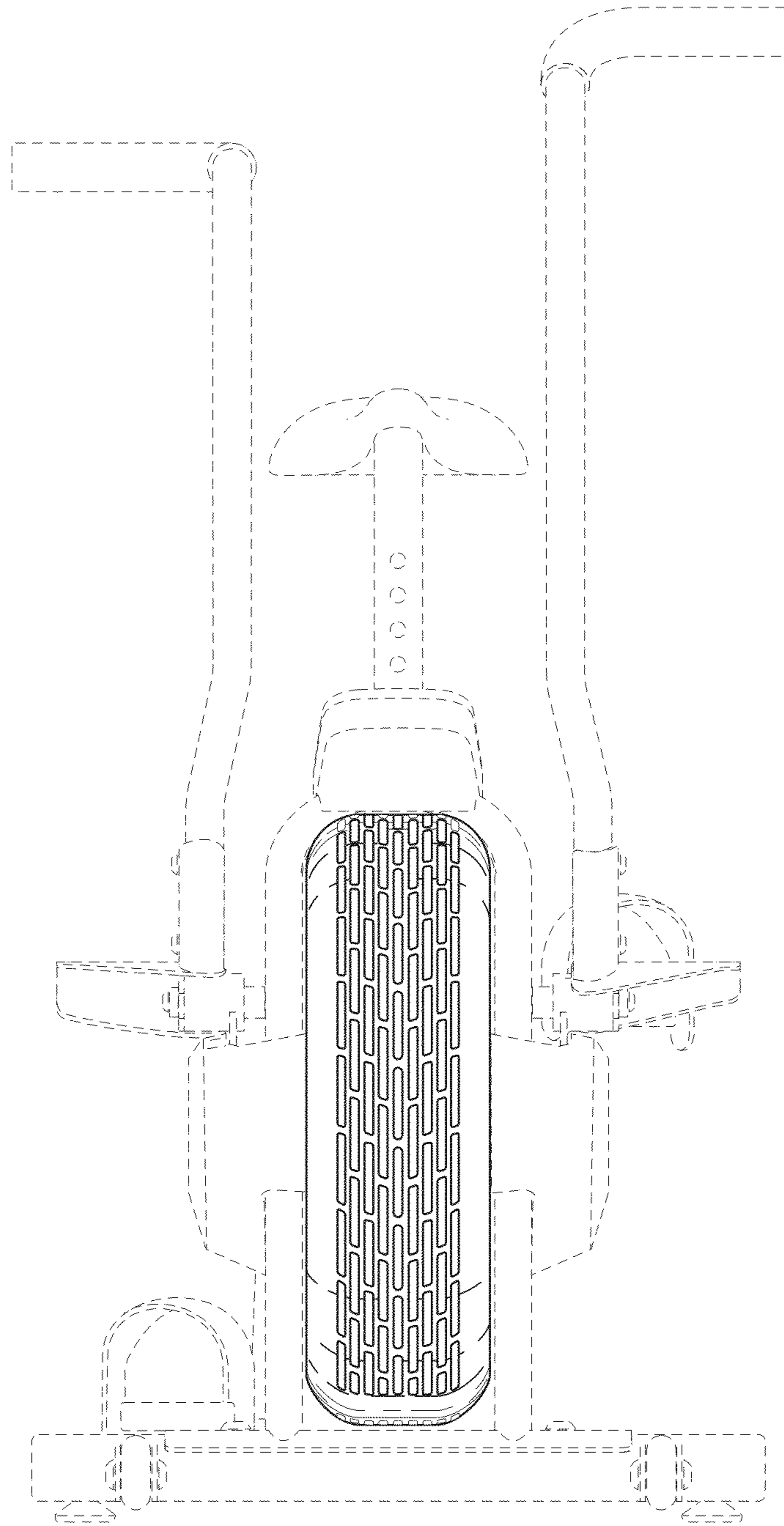


Fig. 2

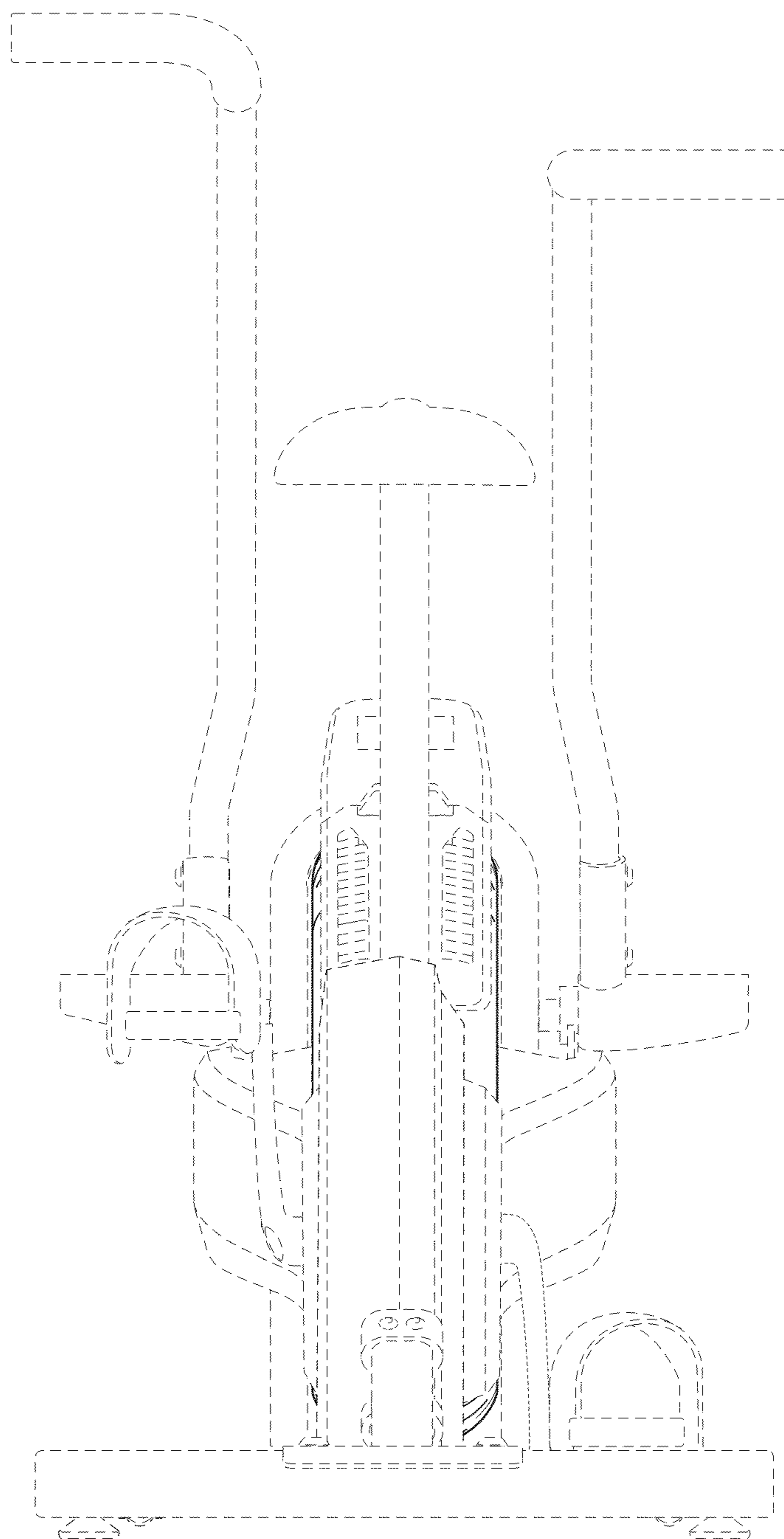


Fig. 3

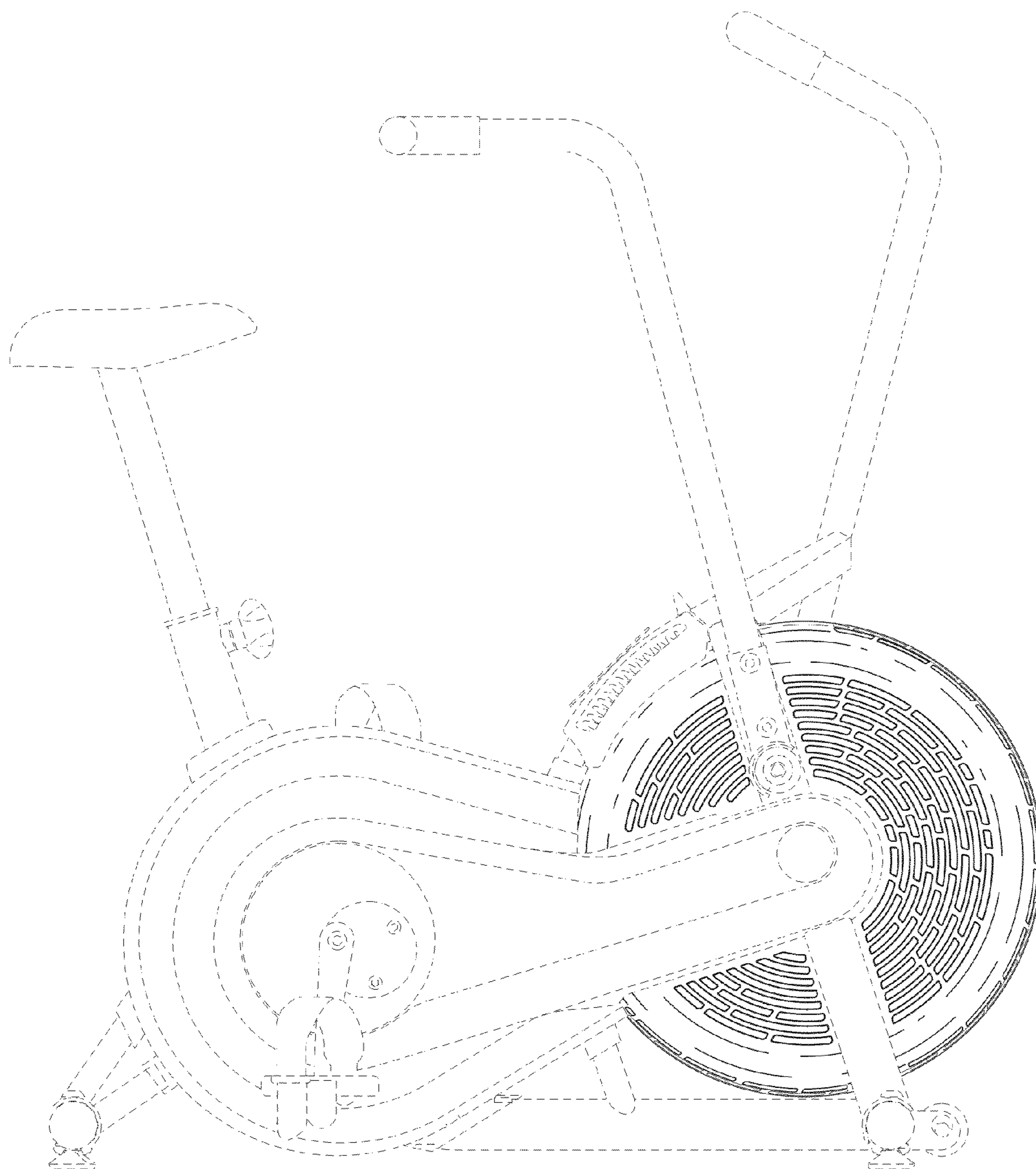


Fig. 4

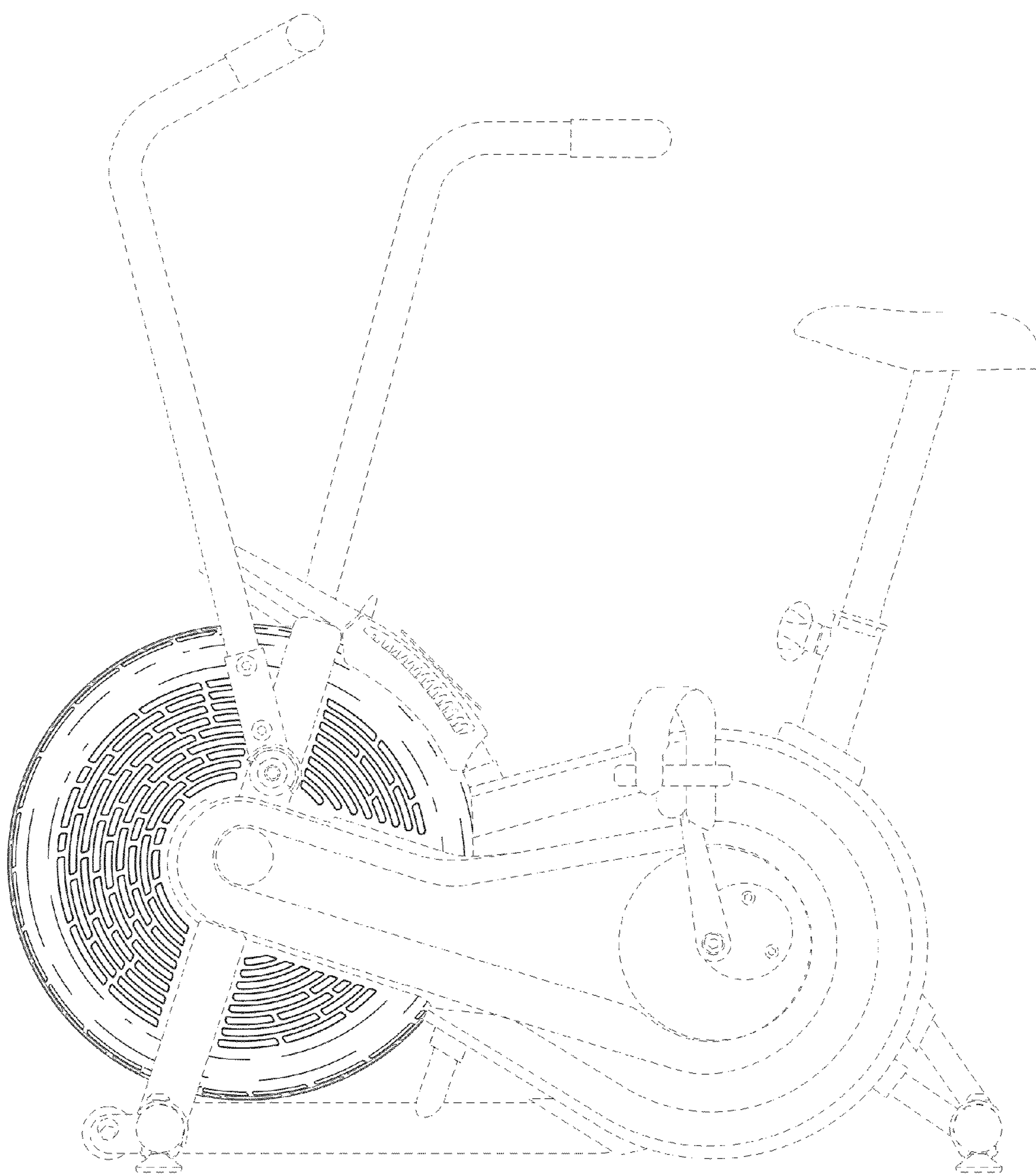


Fig. 5

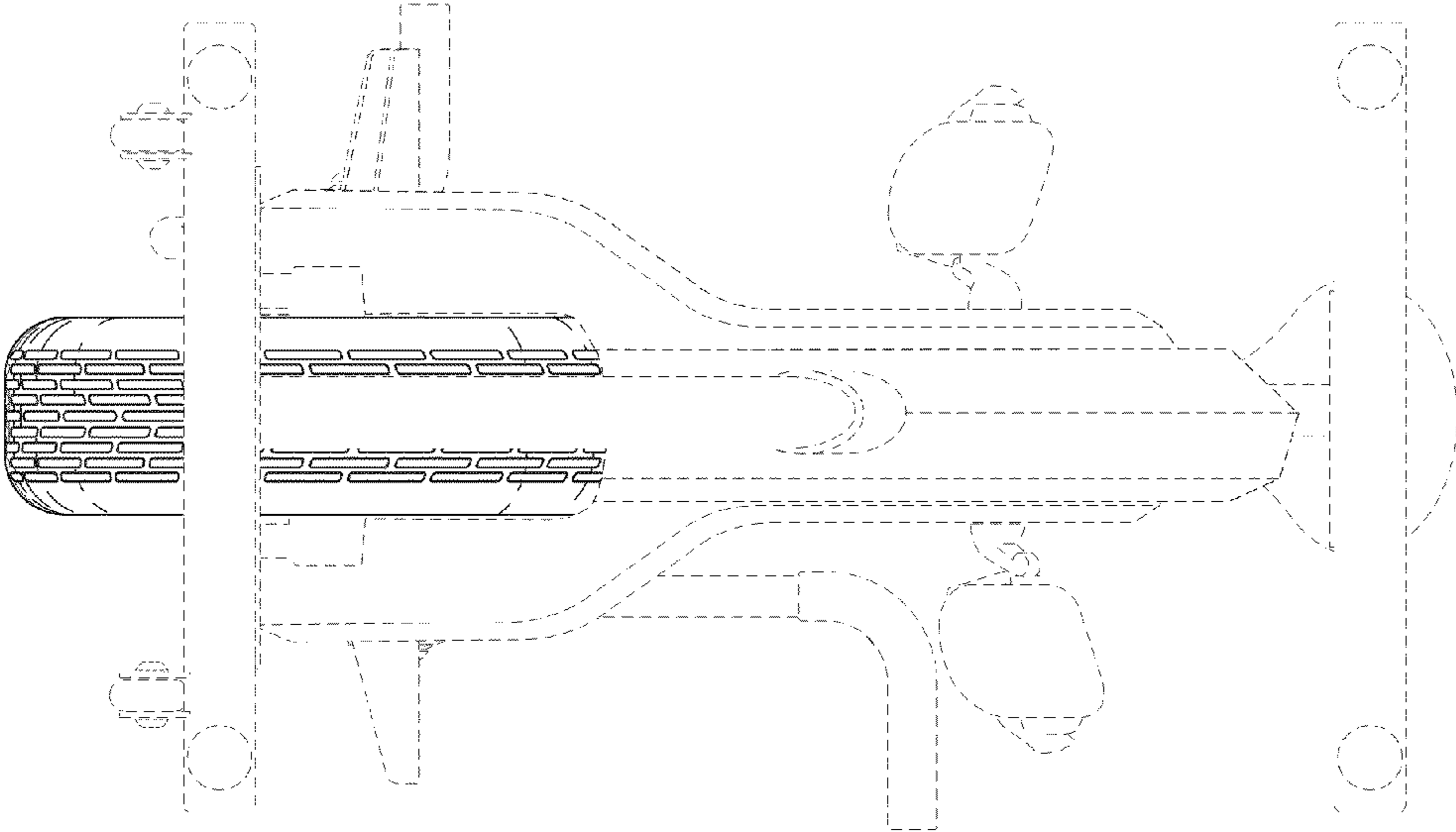


Fig. 7

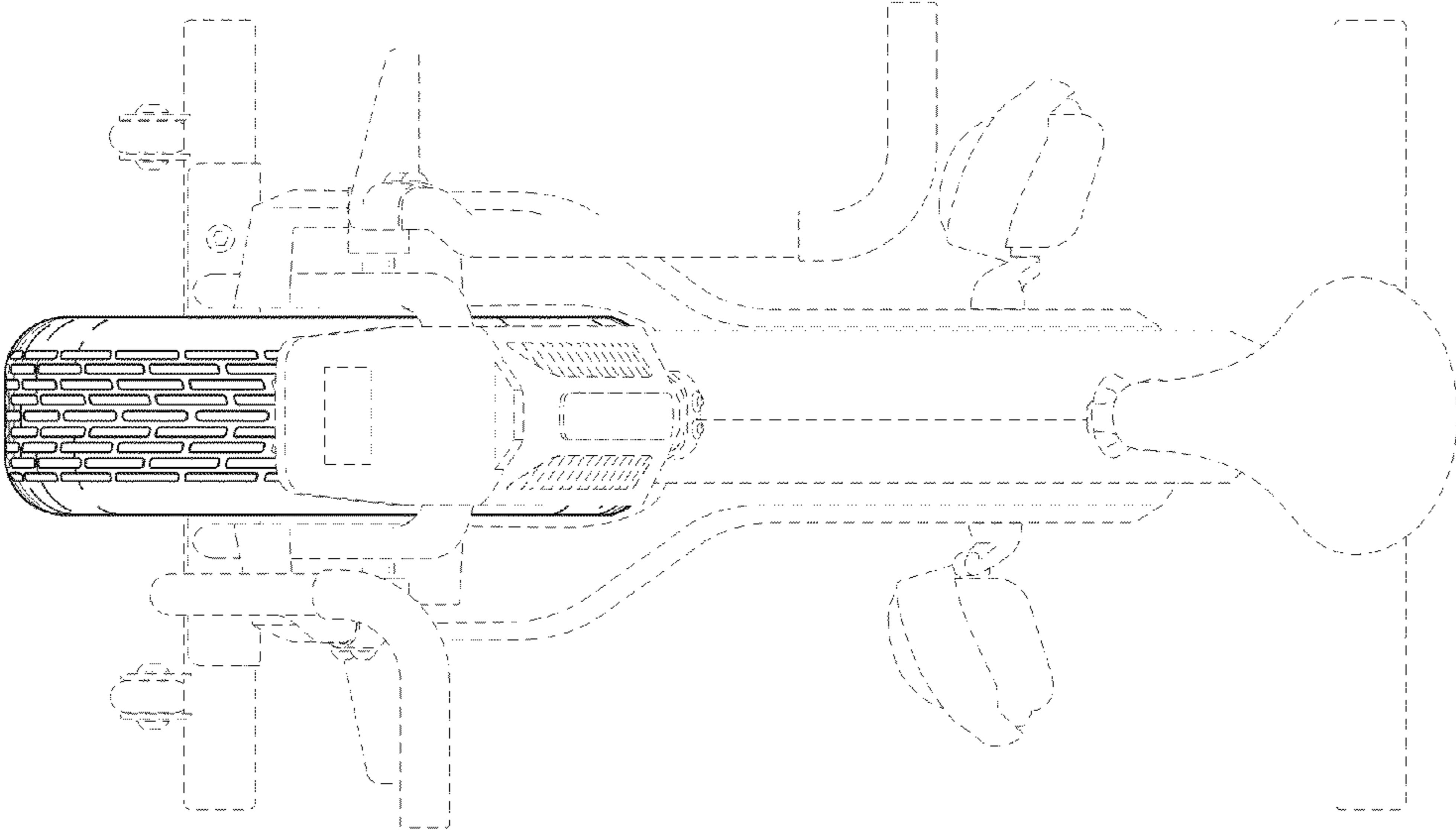


Fig. 6